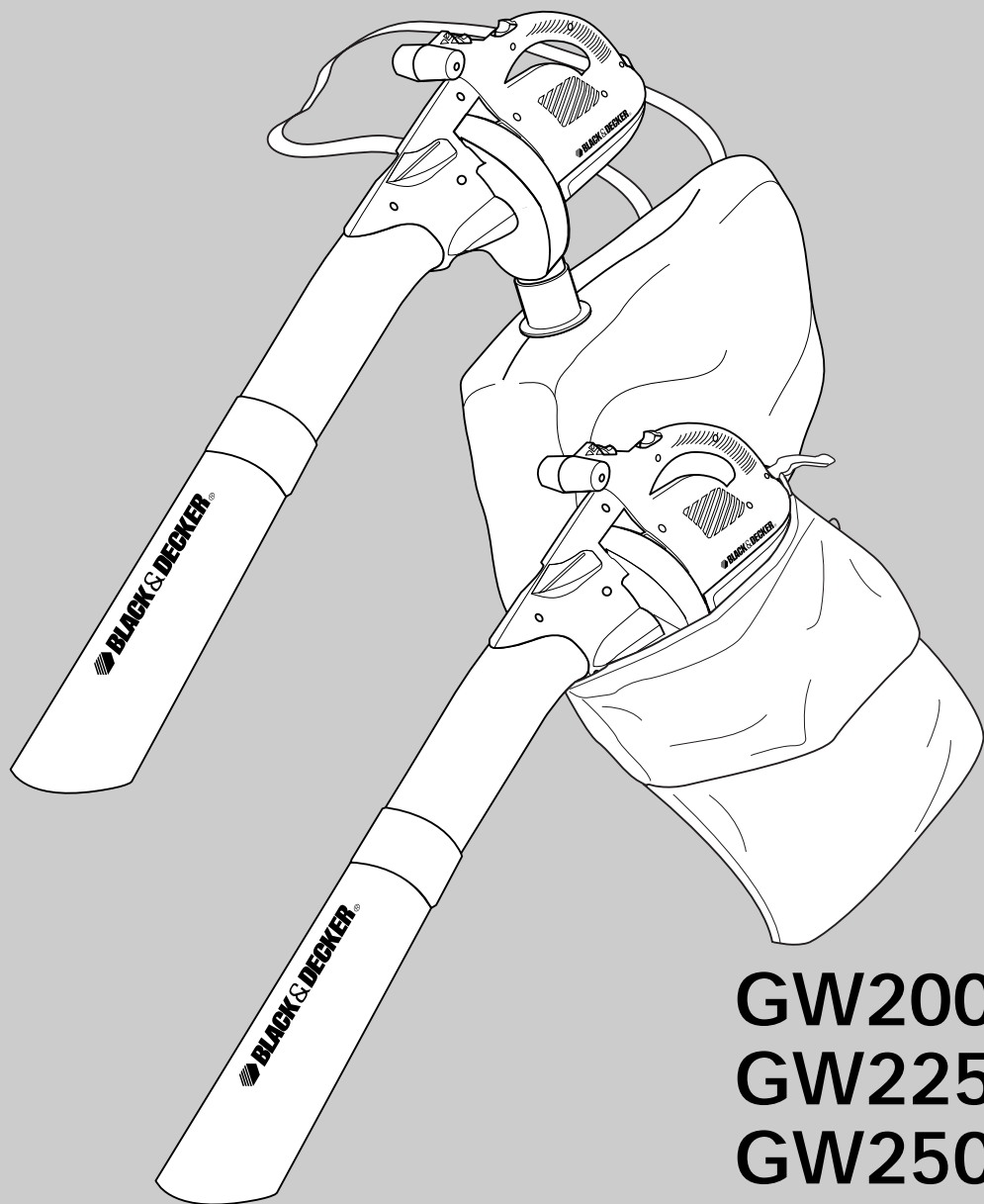


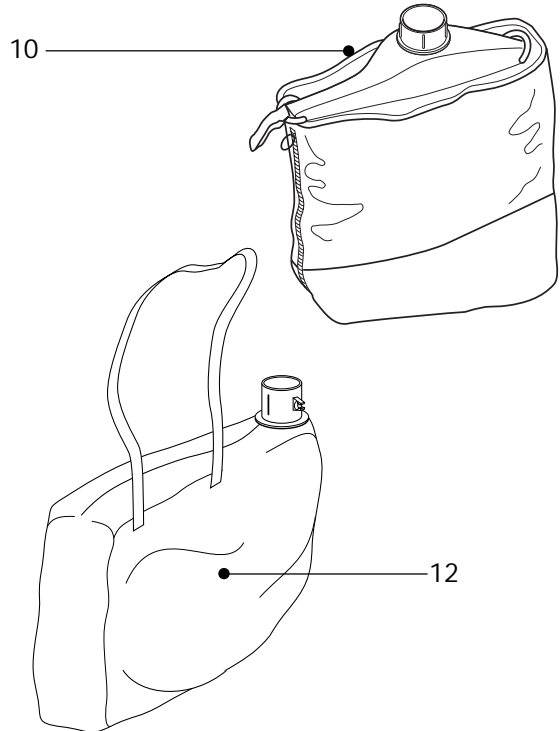
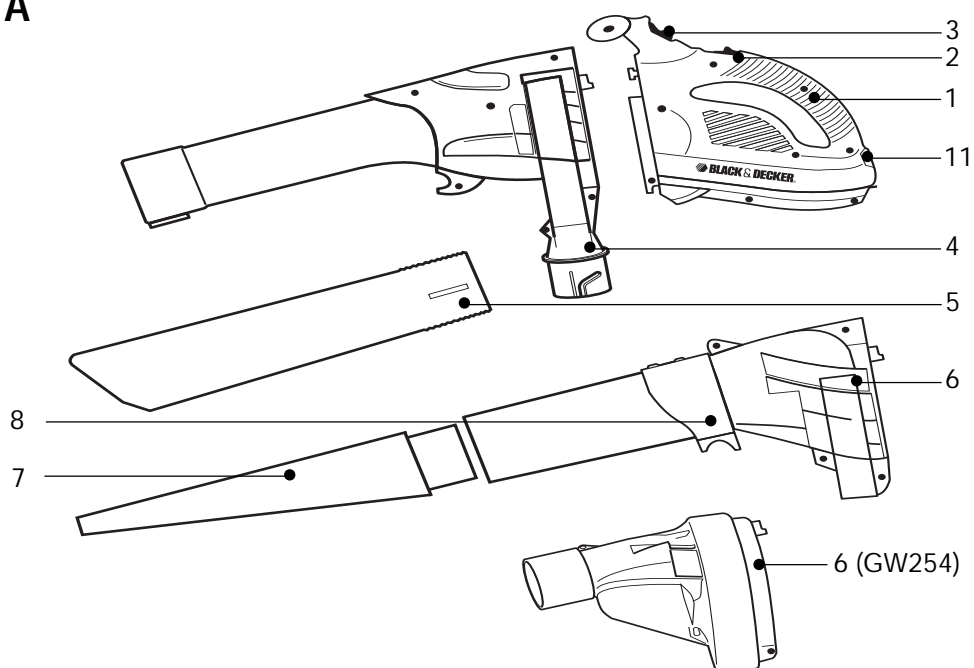
 **BLACK &
DECKER**®



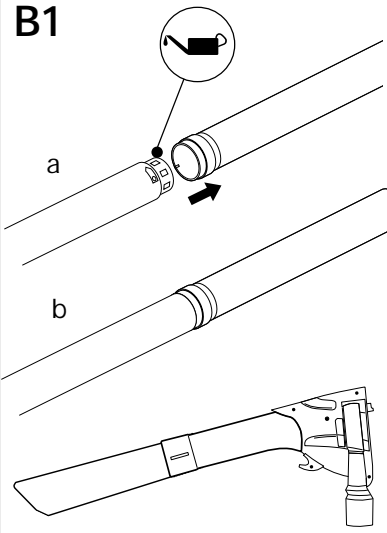
**GW200
GW225
GW250
GW254**

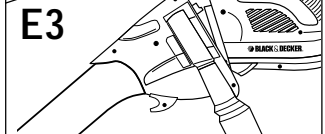
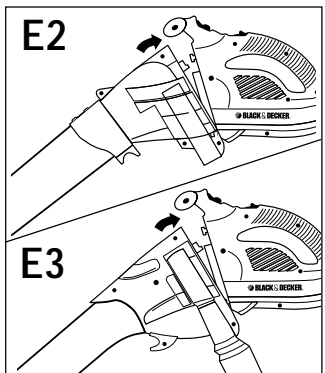
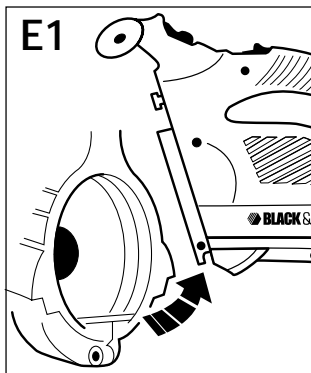
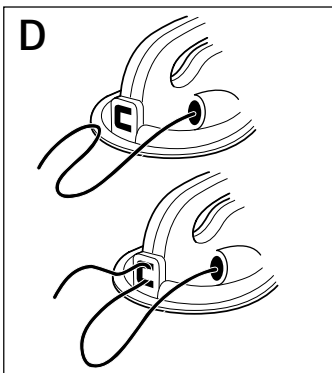
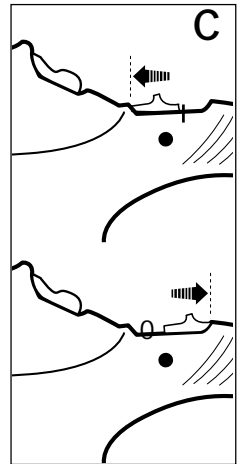
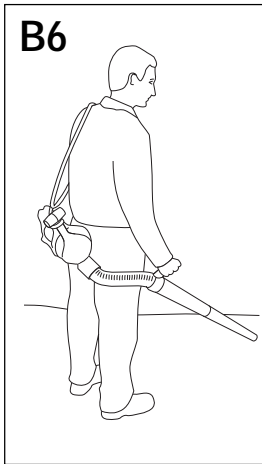
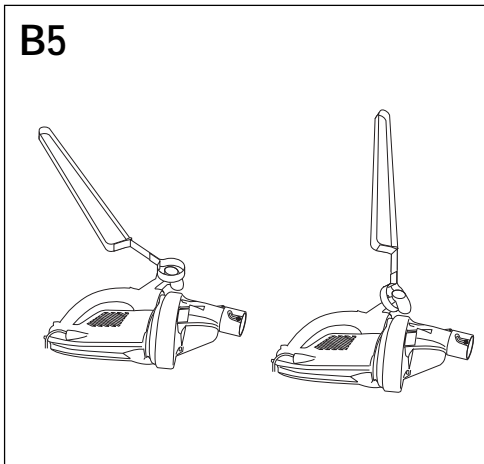
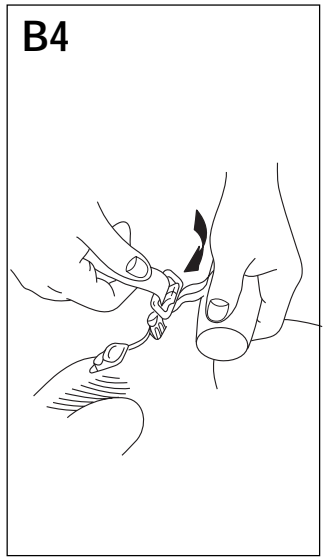
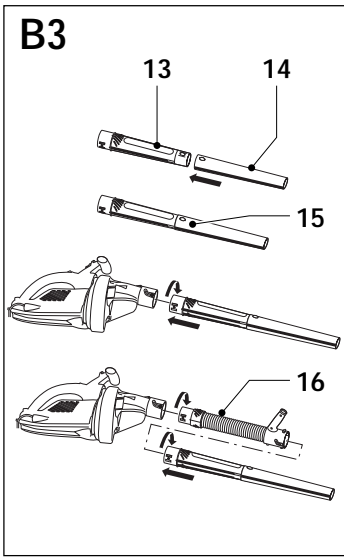
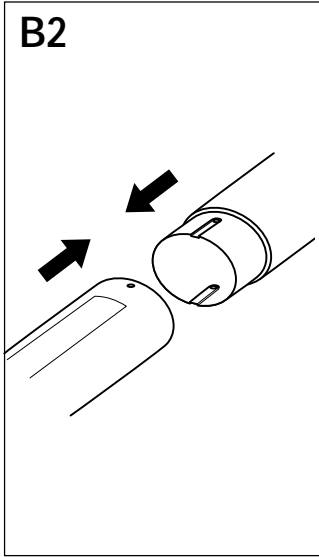


A



B1

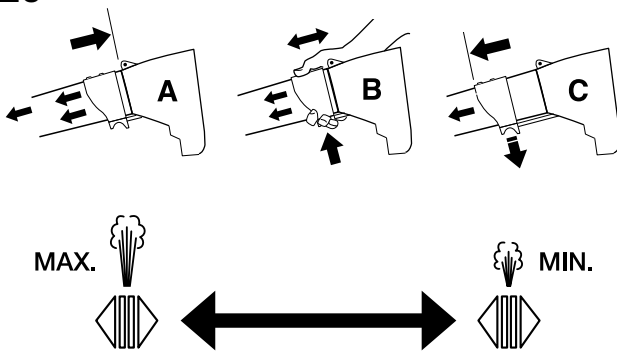




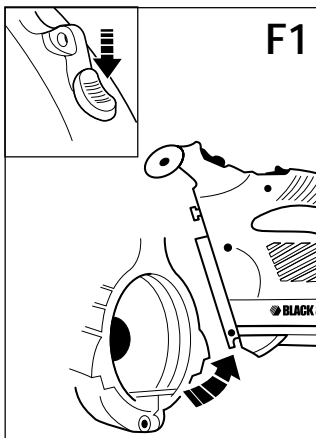
E4



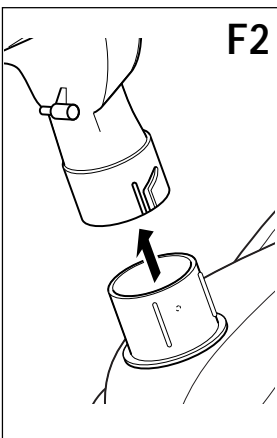
E5



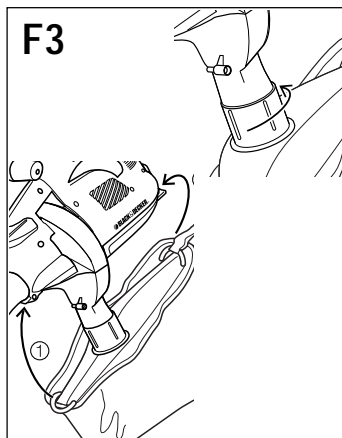
F1



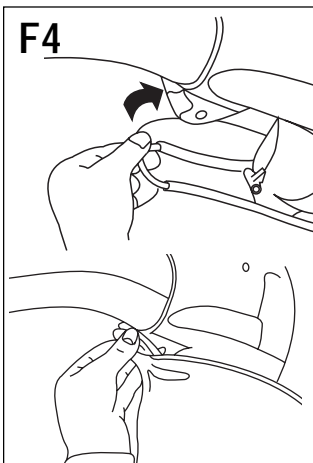
F2



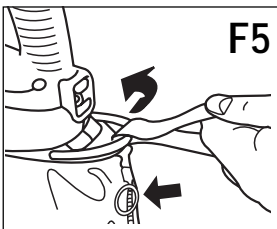
F3



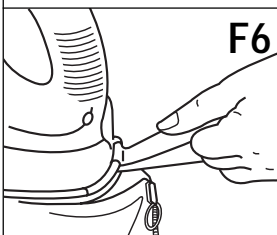
F4



F5



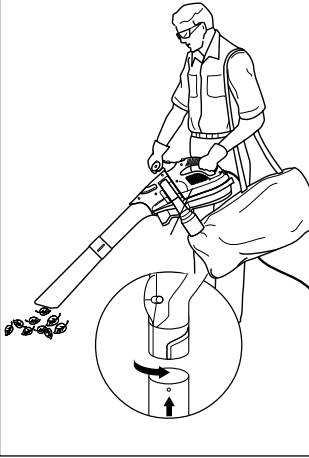
F6



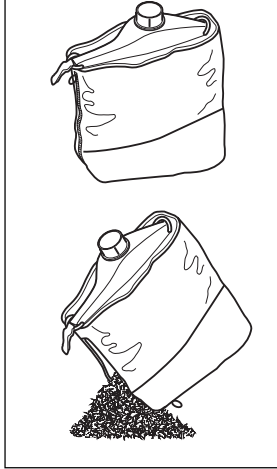
F7



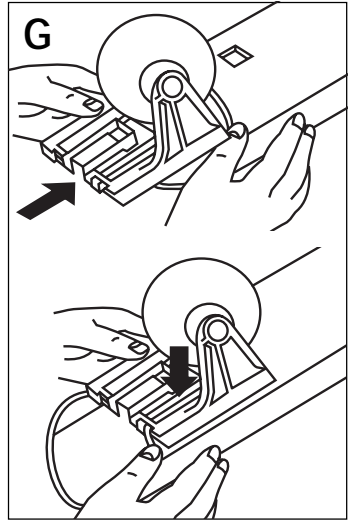
F8



F9



G



GW200/225/250/254

User manual

Congratulations!

On purchasing the Black & Decker system which will assure you of problem free leaf clearing.

GW200 - Mastervac

Vacuuming ✓ Shredding ✓

GW225

Vacuuming ✓ Shredding ✓ Variable blow speed ✓

GW250 - Mastervac 123

Vacuuming ✓ Shredding ✓ Variable blow speed ✓

GW254

Vacuuming ✓ Shredding ✓ Flexible blow tube ✓

Your product has many features designed for your benefit, including:

- Powerful motor that blows air and will vacuum/mulch.
- Unique 5 blade fan that will shred leaves into small debris in a 7 to 1 ratio.
- Unique blow speed adjuster on blow tube varying blow speed (GW250, GW225).
- Unique flexible tube blower allowing greater comfort and control (GW254).
- Ergonomic design improves comfort and ease of use.
- Large aperture vacuuming tube to maximise the intake of leaves.
- 35 litre collection bag.

Description (Fig. A)

A Following is a list of parts that will be mentioned in this user manual and are shown in the diagrams:

GW200

1. Powerhead
2. On/off switch
3. Release button
4. Vacuum tube - upper
5. Vacuum tube - lower
9. Carrying strap
10. Collection bag
11. Cable restraint

GW225

1. Powerhead
2. On/off switch

3. Release button
4. Vacuum tube - upper
5. Vacuum tube - lower
6. Blow tube - upper
7. Blow tube - lower
8. Blow control
11. Cable restraint
12. Collection bag

GW250

1. Powerhead
2. On/off switch
3. Release button
4. Vacuum tube - upper
5. Vacuum tube - lower
6. Blow tube - upper
7. Blow tube - lower
8. Blow control
9. Carrying strap
10. Collection bag
11. Cable restraint

GW254 (see also fig. B3)

1. Powerhead
2. On/off switch
3. Release button
4. Vacuum tube - upper
5. Vacuum tube - lower
6. Blow tube - upper
9. Carrying strap
10. Collection bag
11. Cable restraint
13. Blow tube - middle
14. Blow tube - lower
15. Lock button
16. Blow tube - flexi-piece

Know your product



Read this manual carefully, observing all recommended safety precautions before, during and after using your product. Maintain your product in good working order. Familiarise yourself with the controls on your product before attempting to operate it, but above all, be sure you know how to stop the product in an emergency.

Retain this manual and all other literature supplied for future reference.

Safety instructions

Training

- Safe working distance whilst in blow mode.
- Never allow children or persons who are unfamiliar with this type of product to use it, nor anyone who has not read this manual.



- Do not allow children, animals or other persons near your product when in use - always keep them at least 6m (20ft) away from the working area.
- Remember that the operator/user is responsible for accidents or hazards occurring to other people or their property.
- Your product is designed for use on AC (mains) electrical supplies only - do not attempt to use on any other supply.
- Plug your product into a power point - never a lighting socket. The recommended fuse is 13 amp (UK only).
- Never carry your product by the cable or jerk the cable. Keep the cable away from heat sources, oils or sharp edges. Check the condition of your cable before use and do not use if damaged.

Preparation

- Do not operate your product barefoot or in open sandals.
- To protect your feet, always wear stout shoes or boots - freshly cut grass is damp and slippery. Rubber or man made footwear will enhance your safety.
- Use protective equipment. Wear safety spectacles or goggles whilst operating your product in blow mode.
- Use a face mask if dusty.
- Use ear protection if the sound level seems uncomfortable when using your product.
- Wear long trousers to protect your legs.



Warning! Secure long hair so it is above shoulder length. Keep loose clothing, ties, tassels and hanging straps away from openings and moving parts.

- The power supply cable should be regularly inspected for signs of damage or ageing, and only used if in good condition.
- Always be sure your product is in a safe operating condition and all parts are secure before use.

- Do not operate the product if any parts are defective or worn.
- Do not pick up burning materials such as lit cigarette butts.
- Do not operate the blower/vacuum in a gaseous or explosive atmosphere as motors in these tools normally spark and this may ignite fumes.
- Do not allow the unit to be used by persons under the age of 16 or other persons who have not read this user manual. You are responsible if there is an accident.

Operation

- Do not use in vacuum mode without the vacuum tubes and collection bag in place.



Always switch off and remove the plug from the electrical supply when:

- Changing from blower to vacuum.
- The supply cable has become damaged or entangled.
- You leave your product.
- Clearing a blockage.
- Checking, adjusting, cleaning or working on your product.
- Do not place the inlet or outlet of the vacuum near eyes or ears when operating.
- Do not use your product in the rain and do not allow it to get wet. Avoid using the product in wet conditions.
- Use your product only in daylight or good artificial light.
- Do not cross gravel paths or roads whilst your product is switched on during blow/vac mode.
- Always be sure of your footing, particularly on slopes.
- Do not pick up matter that may be contaminated with flammable or combustible liquids such as gasoline, or use in areas where they might be present.
- Do not place any objects into the openings. Never use if the openings are blocked - keep free of hair, lint, dust and anything that may reduce the airflow.



Warning! Always use your product in the manner outlined in this manual. Your product is designed to be used in an upright mode and if it is used in any other way it may result in injury. Never run your product whilst lying on its side or upside down.

Maintenance and storage

- Store your product in a dry place when not in use, out of the reach of children.
- Do not use solvents or cleaning fluids to clean your product - use a blunt scraper to remove grass and dirt. Always disconnect from the electrical supply before cleaning.
- Do not operate your product if any parts are defective; discard all defective parts and fit new parts before use.
- Keep all nuts, bolts and screws tight to be sure your product is in a safe working condition.
- Use only Black & Decker recommended replacement parts and accessories.
- Replacement fans are available from a Black & Decker service agent.



Warning! If the supply cord is damaged, it must be replaced by a special cord or assembly available from an authorised repair agent (Black & Decker part number: 372832-01 - UK only and part number: 370017-04 - Australia and New Zealand only).

The Black & Decker policy is one of continuous improvement to their product and as such they reserve the right to change product specification without prior notice.

Double insulation



Your product is double insulated. This means that all external metal parts are electrically isolated from the power supply. This is achieved by placing an extra insulation barrier between the electrical and mechanical parts. Double insulation means greater electrical safety and obviates the necessity of having your product earthed.

Electrical safety (UK only)

Your product should always be switched off at the mains before disconnecting any plug and socket connector or extension cables.

Fuse replacement

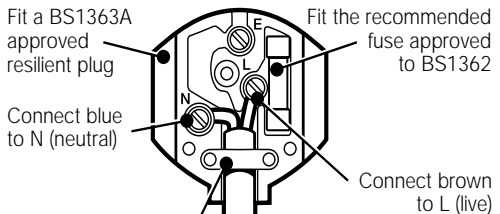
If your product is supplied with cable, fitted with a non-re-wireable plug:

- The plug is fitted with a 13 amp fuse which is the recommended fuse for your product.
- Only use replacement fuses which are approved to BS1362.
- When changing the fuse in your plug, always ensure the fuse cover is refitted. If the fuse cover is missing or damaged do not use the plug.

Note: Fuses do not give personal protection against electric shock.

Plug replacement

- Disconnect the plug from the supply.
- Cut off the plug and dispose of 230/240V AC only. Insertion of a detached plug into a 13 amp socket outlet may result in electric shock.
- Only fit BS1363A approved plugs fitted with the correctly rated fuse.
- The cable wire colours, or a letter, will be marked at the connection points of most good quality plugs. Attach the wires to their respective points in the plug (see above). Brown is for "Live" (L) and blue is for "Neutral" (N).
- Before replacing the top cover of the mains plug ensure that the cable restraint is holding the outer sheath on the cable firmly and that the two leads are correctly fixed at the terminal screws.



Make sure that the outer sheath of the cable is held firmly by the clamp



230 volts AC only
Never use a light socket



Warning! Never connect live or neutral wires to the earth pin marked "E" or \perp .

Note: Do not wire an extension cable directly into your machine yourself. Instead, take your product to your nearest Black & Decker authorised repair agent.

Increased safety can be obtained by having a qualified electrician install a high sensitivity (30mA) circuit breaker in the house wiring. If you do not have such a circuit breaker installed, or you do not wish to have one installed, then we strongly recommend that the electrical power to the machine be supplied through a high sensitivity residual current device (RCD). The RCD is designed to provide a high degree of personal protection against harmful electric current should fault conditions occur.



Warning! The use of an RCD or other circuit breaker unit does not release the operator of your product from the safety instructions and safe working practices given in this manual.

Assembly prior to use (Fig. B & F)

B

Vacuum tube assembly (Fig. B1)

- Vacuum tubes must be assembled together before use.
- To ease assembly apply soapy water solution to joint area.
- Align location ribs on upper (4) and lower (5) tubes.
- Push both parts firmly together until clip is engaged, as per moulded detail. (Never operate apart).
- In the interests of safety, it is not intended for the tubes to be separated once assembled.

Blow tube assembly (Fig. B2)

- Blow tubes must be assembled together before use.
- To ease assembly, apply a soapy water solution to the joint area.
- Align location ribs on the upper (6) and the lower (7) tubes.
- Push both parts firmly together until the clip is engaged (never operate apart).
- In the interests of safety, it is not intended for the tubes to be separated once assembled.

Blow tube assembly (GW254) (Fig. B3)

- Fit the lower tube (14) over the middle tube (13), until the lock button (15) clicks in place.
- Align the cross mark on the assembled blow tube with the cross mark on the upper blow tube (6).
- Insert the assembled blow tube into the upper blow tube and turn it to lock it in place.
- Alternatively, the flexi-piece (16) can be fitted between the upper blow tube and the assembled blow tube. With the flexi-piece, the unit can be handled more easily and with greater control.

Carrying strap assembly (GW250) (Fig. B4)

- Fit the carrying strap to the powerhead, if required, and adjust to suit the user.



Warning! The shoulder strap should only be used during vacuum mode. Never use the strap during blow mode.

Carrying strap assembly (GW254) (Fig. B5 & B6)

For use in flexi-blow or vacuum mode.

- Fit the small loop over the T-handle.
- Adjust the large loop to suit the user.
- The unit can now be hung over the shoulder and handled as shown.

Collection bag (GW225) (Fig. F8)

- Attach the collection bag to the vacuum outlet using the bayonet fitting.

F

On/off switch (Fig. C)

C

- The on/off switch (2) is located on the handle of the powerhead.
- To switch your product on, push the switch forward.
- The switch will not operate if the release button (3) is depressed.
- To switch off, push the switch to the rear.

Cable restraint (Fig. D)

D

- A cable restraint is incorporated into the rear of the powerhead.
- To fix cable, form a loop in the cable and insert as shown.

Using your product (Fig. E)

When using as a blower or vacuum, always wear safety glasses. If using in dusty conditions, wear a filter mask as well.

Blow mode (GW250/GW254)

- Ensure your product is switched off and disconnected from the mains power supply.
- Attach the blow tube (6) to the powerhead (1) (Fig. E1) by locating the tube as shown, then pivot about this point until the locking/release catch is fully engaged (Fig. E2).
- Hold the blow tube approximately 180mm (7") above the ground, switch your product on and using a sweeping motion from side to side, advance slowly keeping the accumulated debris/leaves in front of you (Fig. E4).

E

Blow control (GW225/GW250) (Fig. E5)

- Position A - Maximum blow speed.
- Position B - Blow control can be varied between positions A and C. To do this, depress the latch as shown and slide the control forward/backward to obtain desired airspeed, then release the latch to lock.

- Position C - Minimum blow speed.
- Once you have blown the debris/leaves into a pile, you can convert to vacuum mode to collect the debris.

Removing blow/vacuum tube (Fig. F)

F

- Switch off your product and disconnect from the mains power supply. (If in vac mode, remove the bag).
- To disconnect the tube from the powerhead, depress the release button as shown (Fig. F1), ensuring the tube does not fall to the ground.
- The release button will not depress if on/off switch is in the forward "on" position.

Vacuum mode (Fig. E & F)

E

- Ensure your product is switched off and disconnected from the mains power supply.
- Attach the vacuum tube in the same way as stated previously for the GW250 blow mode (Fig. E1 & Fig. E3).

F

To fit the bag assembly to your product:

- Align the notches on the bag fitting with the recesses on the vacuum outlet (fig. F2).
- Slide the bag fitting onto the vacuum outlet and tighten the fitting (fig. F3).
- Locate the front of the collection bag into the clip on the underside of the vacuum tube (Fig. F4).
- Using the nylon band locate the rear of the collection bag over the lip positioned at the rear of the powerhead (Fig. F5 & Fig. F6).
- Ensure the bag zip is closed before operation (Fig. F5).
- Position the tube slightly above the debris/leaves. Switch your product on, then using a sweeping motion the debris/leaves will be sucked up the tube, shredded and thrown into the collection bag (Fig. F7).
- As the bag fills the power of the suction will decrease, switch off your product and unplug from the mains power supply.
- To remove the bag, unclip it using the nylon handle as shown (fig. F6) and loosen the fitting. Unzip the bag and empty it before continuing (fig. F9).

Fitting of the blower vac wheel (Fig. G) (K models only)

G

- Disconnect your product from the electricity supply before fitting the wheel.

Note: To be used in the vac mode only.

- Locate the wheel onto the vac tube.

Fault finding



Disconnect from the mains power supply before attempting any maintenance.

Failure to operate (1) Check the connection to the power supply.
 (2) Check the fuse in the plug, if blown, replace (UK only).
 (3) Check that the blow/vacuum tube assembly is correctly fitted to the powerhead.
 (4) If the fuse continues to blow - immediately disconnect from the mains power supply and consult your local Black & Decker authorised repair agent.

Poor vacuum/ high pitched whine (1) Switch off - disconnect from the mains power supply, debris should fall clear of the tube.
 (2) Remove and empty the collection bag.
 (3) Check that both the inlet and exit ports on the vacuum tube are clear.
 (4) Remove any debris from the fan area.
 (5) If poor vacuuming continues - immediately disconnect from the mains power supply and consult your local Black & Decker authorised repair agent.

Poor shredding (1) Switch off - disconnect from the mains power supply and remove the collection bag.
 (2) Remove the vacuum tube and inspect the fan.
 (3) Clean any debris from the fan blades.
 (4) If the fan is cracked or damaged, do not use - consult your local Black & Decker authorised repair agent.

Cleaning your product



Disconnect from the mains power supply before any cleaning or maintenance is carried out. Keep your product dry. Under no circumstances spray with water.

- Clean your product regularly.
- Remove any leaves stuck to the inside of the vacuum tube.
- Plastic parts may be cleaned using a mild soap and a cloth dampened with hot water.



Do not use any type of detergent, cleaner or solvent which may contain chemicals that could seriously damage the plastic.

- Self lubricating bearings are used in your product, therefore lubrication is not required.

Protecting the environment



Black & Decker provides a facility for recycling Black & Decker products once they have reached the end of their working life. This service is provided free of charge. To take advantage of this service please return your product to any authorised repair agent who will collect them on our behalf.

You can check the location of your nearest authorised repair agent by contacting your local Black & Decker office at the address indicated in this manual. Alternatively, a list of authorised Black & Decker repair agents and full details of our after-sales service and contacts are available on the Internet at: **www.2helpU.com**.

Guarantee

Black & Decker is confident of the quality of its products and offers an outstanding guarantee. This guarantee statement is in addition to and in no way prejudices your statutory rights. The guarantee is valid within the territories of the Member States of the European Union and the European Free Trade Area.

If a Black & Decker product becomes defective due to faulty materials, workmanship or lack of conformity, within 24 months from the date of purchase, Black & Decker guarantees to replace defective parts, repair products subjected to fair wear and tear or replace such products to ensure minimum inconvenience to the customer unless:

- The product has been used for trade, professional or hire purposes;
- The product has been subjected to misuse or neglect;
- The product has sustained damage through foreign objects, substances or accidents;

- Repairs have been attempted by persons other than authorised repair agents or Black & Decker service staff.

To claim on the guarantee, you will need to submit proof of purchase to the seller or an authorised repair agent. You can check the location of your nearest authorised repair agent by contacting your local Black & Decker office at the address indicated in this manual. Alternatively, a list of authorised Black & Decker repair agents and full details of our after-sales service and contacts are available on the Internet at: **www.2helpU.com**.

Other outdoor tools

Black & Decker has a full range of outdoor power tools that make life in the garden easy. If you would like further information on the following products, please contact our Service and Information Centre (see the address page towards the end of this manual) or your local Black & Decker retailer.

String trimmers
Chainsaws
Cordless shear
Hedge trimmers
Lawnmowers
Lawnrakers
Leafbusters
Shredders

Not all products are available in all countries.

EC Declaration of conformity**GW200/GW225/GW250/GW254**

Black & Decker declares that these tools conform to:

98/37/EC, 89/336/EEC, 73/23/EEC,
EN 55014, EN 55104, EN 60335,

2000/14/EC, Leaf blower/collector $\leq 9.5 \text{ m}^3/\text{min}$,
Annex V

Level of sound pressure, measured according to
2000/14/EC:

L_{pA}	(sound pressure)	dB(A)	90
L_{WA}	(acoustic power)	dB(A)	103
L_{WA}	(guaranteed)	dB(A)	105

Hand/arm weighted vibration value according to
EN 50144: $< 2,5 \text{ m/s}^2$



Brian Cooke

Director of Engineering
Spennymoor, County Durham DL16 6JG,
United Kingdom
22-05-2002

Australia	DeWALT Industrial Power Tool Company 7 Clarice Road Box Hill, Victoria 3128	Tel. 03 9895 9200 Fax 03 9899 7465
------------------	---	---------------------------------------

New Zealand	Black & Decker 81 Hugo Johnson Drive Penrose, Auckland, New Zealand	Tel. 09 579 7600 Fax 09 579 8200
--------------------	---	-------------------------------------

South Africa	Black & Decker South Africa (Pty) Ltd Physical address: 39 Commerce Crescent Eastgate, ext. 12, Sandton, Kramerville 2148 Postal address: Postnet Suite 107, Private Bag X65 Halfway House 1685	Tel. (011) 653-1400 Fax (011) 653-1499
---------------------	---	---

United Kingdom	Black & Decker 210 Bath Road Slough, Berkshire SL1 3YD	Tel. 01753 511234 Fax 01753 551155 Helpline 01753 574277
-----------------------	--	--

Dealer address

Date of purchase



Name:

Address:

Town:

Postal code:

Was this tool a gift?

Yes
 No

Was this tool your first purchase?

Yes
 No

Was this tool bought as a replacement?

Yes
 No

Dealer address:

.....

Data protection act:
Tick the box if you prefer not to receive further information.

GUARANTEE CARD

.....
Please complete this section immediately after the purchase of your tool and send it to Black & Decker in your country. If you live in Australia or New Zealand, please register by using the alternative guarantee card supplied.