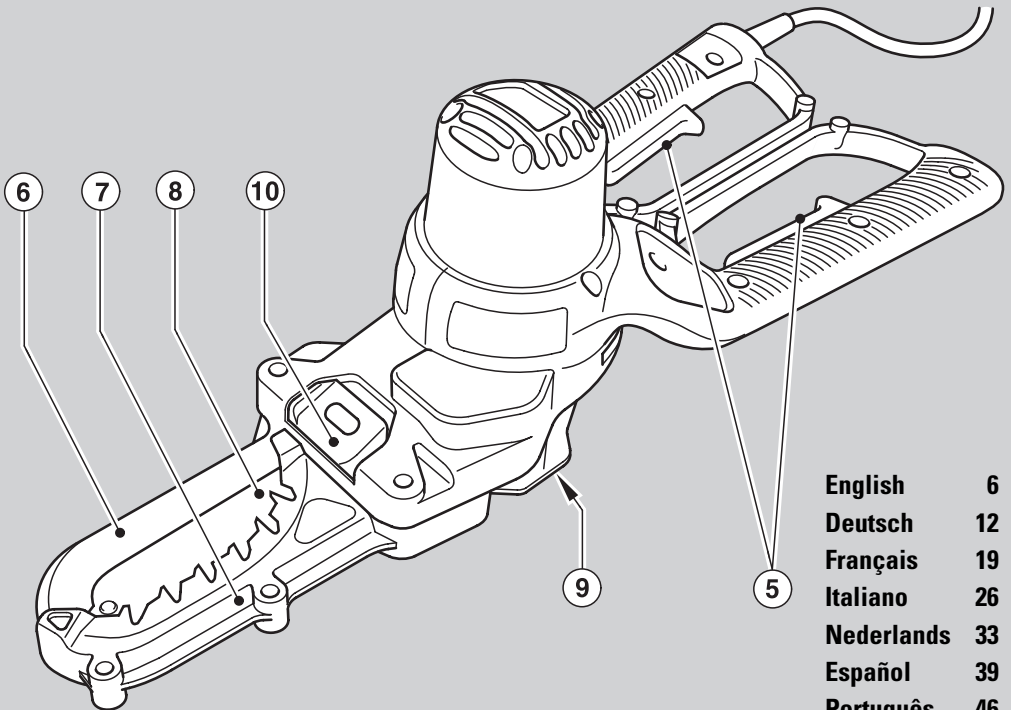


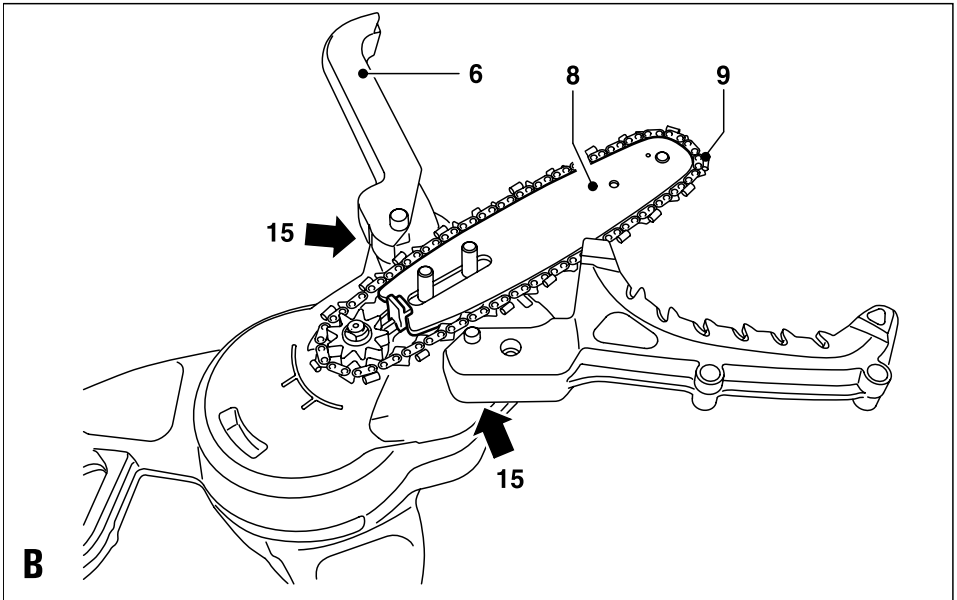
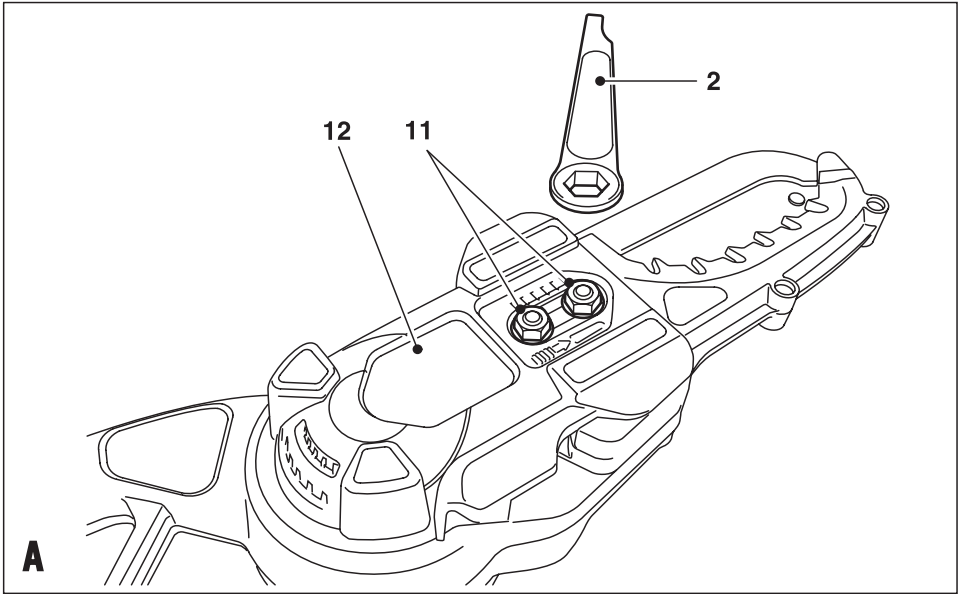


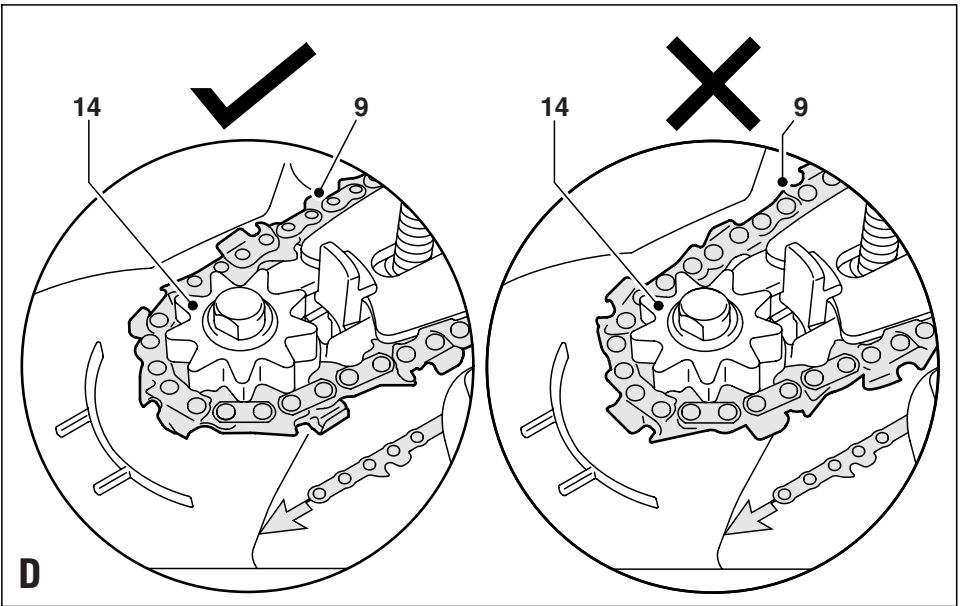
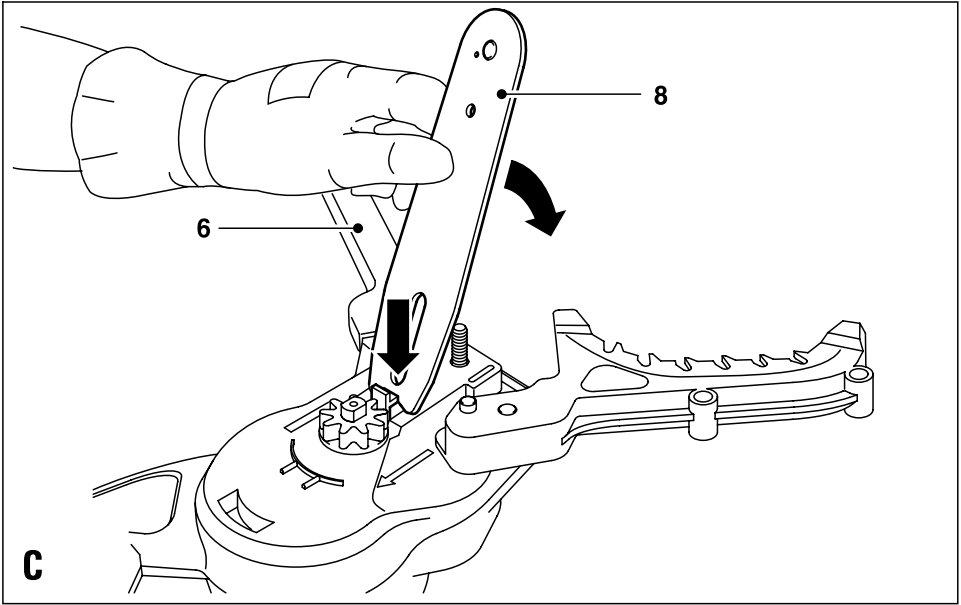
# BLACK & DECKER®

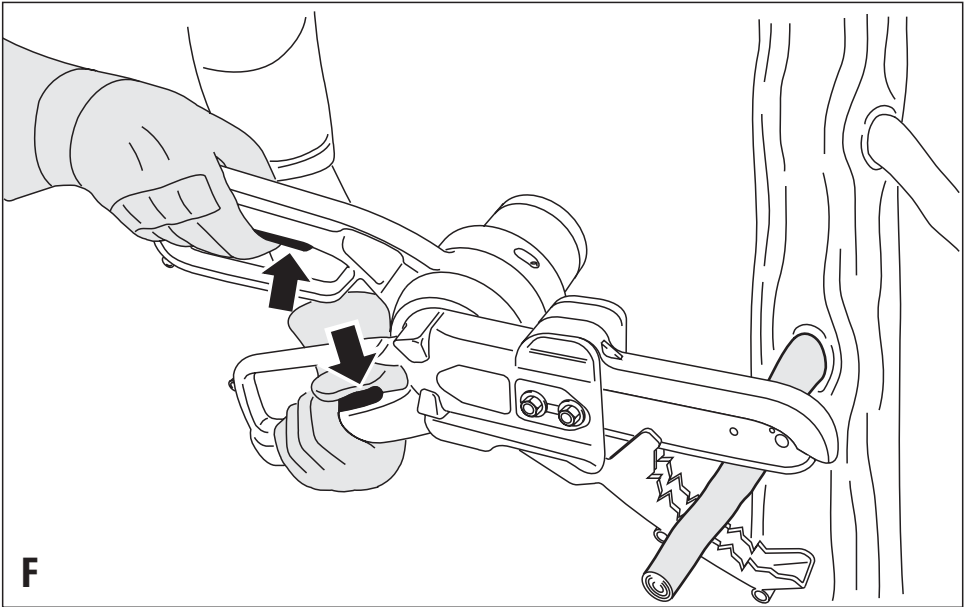
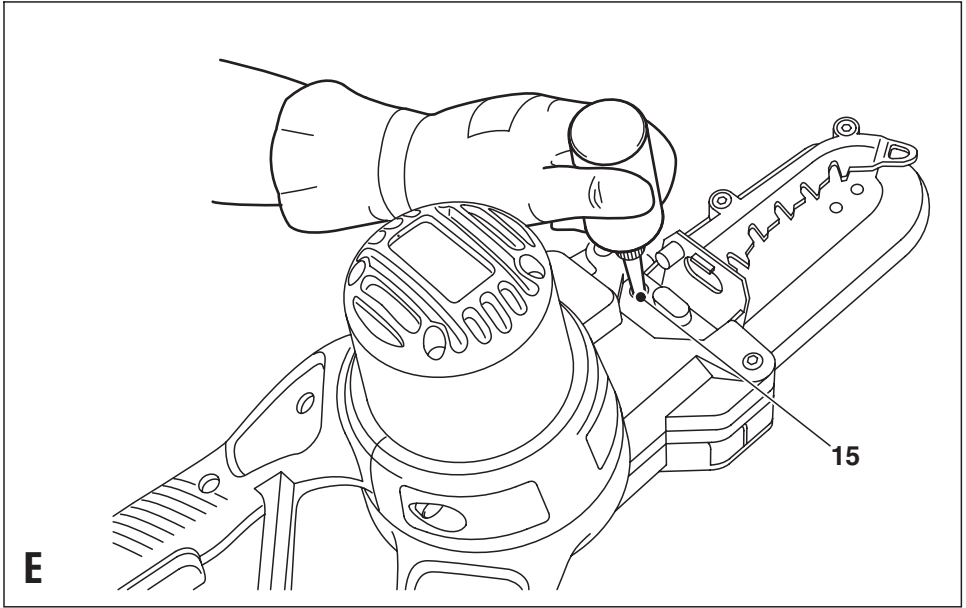
www.blackanddecker.com

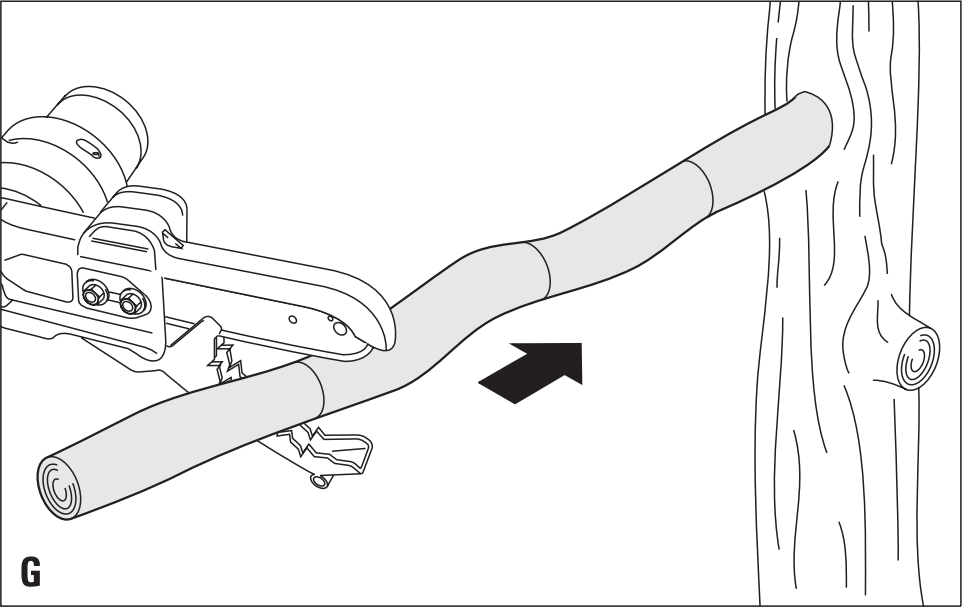


English	6
Deutsch	12
Français	19
Italiano	26
Nederlands	33
Español	39
Português	46
Svenska	52
Norsk	58
Dansk	64
Suomi	70
Ελληνικά	76









## Intended use

Your Black & Decker Alligator™ Lopper has been designed for trimming the branches of trees, cutting fallen branches and cutting small logs 25 mm to 100 mm in diameter while the operator is standing on the ground. This tool is intended for consumer use only.

## General safety rules

**Warning!** Read all instructions. Failure to follow all instructions listed below may result in electric shock, fire and/or serious injury. The term “power tool” in all of the warnings listed below refers to your mains operated (corded) power tool or battery operated (cordless) power tool. **SAVE THESE INSTRUCTIONS.**

1. **Work area**
  - a. **Keep work area clean and well lit.** Cluttered and dark areas invite accidents.
  - b. **Do not operate power tools in explosive atmospheres, such as in the presence of flammable liquids, gases or dust.** Power tools create sparks which may ignite the dust or fumes.
  - c. **Keep children and bystanders away while operating a power tool.** Distractions can cause you to lose control.
2. **Electrical safety**
  - a. **Power tool plugs must match the outlet. Never modify the plug in any way. Do not use any adapter plugs with earthed (grounded) power tools.** Unmodified plugs and matching outlets will reduce risk of electric shock.
  - b. **Avoid body contact with earthed or grounded surfaces such as pipes, radiators, ranges and refrigerators.** There is an increased risk of electric shock if your body is earthed or grounded.
  - c. **Do not expose power tools to rain or wet conditions.** Water entering a power tool will increase the risk of electric shock.
  - d. **Do not abuse the cord. Never use the cord for carrying, pulling or unplugging the power tool. Keep cord away from heat, oil, sharp edges or moving parts.** Damaged or entangled cords increase the risk of electric shock.
  - e. **When operating a power tool outdoors, use an extension cord suitable for outdoor use.** Use of a cord suitable for outdoor use reduces the risk of electric shock.
3. **Personal safety**
  - a. **Stay alert, watch what you are doing and use common sense when operating a power tool. Do not use a power tool while you are tired or under the influence of drugs, alcohol or medication.** A moment of inattention while operating power tools may result in serious personal injury.
  - b. **Use safety equipment. Always wear eye protection.** Safety equipment such as dust mask, non-skid safety shoes, hard hat, or hearing protection used for appropriate conditions will reduce personal injuries.
  - c. **Avoid accidental starting. Ensure the switch is in the off position before plugging in.** Carrying power tools with your finger on the switch or plugging in power tools that have the switch on invites accidents.
  - d. **Remove any adjusting key or wrench before turning the power tool on.** A wrench or a key left attached to a rotating part of the power tool may result in personal injury.
  - e. **Do not overreach. Keep proper footing and balance at all times.** This enables better control of the power tool in unexpected situations.
  - f. **Dress properly. Do not wear loose clothing or jewellery. Keep your hair, clothing and gloves away from moving parts.** Loose clothes, jewellery or long hair can be caught in moving parts.
  - g. **If devices are provided for the connection of dust extraction and collection facilities, ensure these are connected and properly used.** Use of these devices can reduce dust related hazards.
4. **Power tool use and care**
  - a. **Do not force the power tool. Use the correct power tool for your application.** The correct power tool will do the job better and safer at the rate for which it was designed.
  - b. **Do not use the power tool if the switch does not turn it on and off.** Any power tool that cannot be controlled with the switch is dangerous and must be repaired.
  - c. **Disconnect the plug from the power source before making any adjustments, changing accessories, or storing power tools.** Such preventive safety measures reduce the risk of starting the power tool accidentally.
  - d. **Store idle power tools out of the reach of children and do not allow persons unfamiliar with the power tool or these instructions to operate the power tool.** Power tools are dangerous in the hands of untrained users.
  - e. **Maintain power tools. Check for misalignment or binding of moving parts, breakage of parts and any other condition that may affect the power tools operation. If damaged, have the power tool repaired before use.** Many accidents are caused by poorly maintained power tools.
  - f. **Keep cutting tools sharp and clean.** Properly maintained cutting tools with sharp cutting edges are less likely to bind and are easier to control.
  - g. **Use the power tool, accessories and tool bits etc., in accordance with these instructions and in the manner intended for the particular type of power tool, taking into account the working conditions and the work to be performed.** Use of the power tool for operations different from those intended could result in a hazardous situation.

**5. Service**

- a. **Have your power tool serviced by a qualified repair person using only identical replacement parts.** This will ensure that the safety of the power tool is maintained.

**Additional safety instructions for the Alligator™ Lopper**

**Warning!** Never use the tool above shoulder height. Always position yourself out of the path of falling branches and debris.

**Warning!** Do not use this tool to fell trees.

- ◆ Keep all parts of your body and clothing away from the saw chain at all times. Hold the tool in front of you and be aware of the saw chain position especially when cutting branches near the ground. Before you switch on make sure the saw chain is not contacting anything.
- ◆ Pre-plan a safe exit from falling branches and debris. Ensure the exit route is clear of obstacles that would prevent or hinder movement. Remember wet grass and freshly cut bark is slippery.
- ◆ Be aware of the direction that a branch may fall. Consider all conditions that may affect the direction of fall, including:
  - The intended direction of fall.
  - The natural lean of the branch.
  - Any unusual heavy limb structure or decay.
  - Surrounding trees and obstacles including overhead lines.
  - The wind speed and direction.
- ◆ The safe distance between a branch and debris to be felled and bystanders, buildings and other objects is at least 2 1/2 times the length of the branch. Any bystander, building or object within this distance is at risk from being struck by the falling branch.
- ◆ When cutting a limb that is under tension, be aware of spring-back. When the tension in the wood fibres are released the spring loaded limb may strike the operator and/or throw the tool out of control.
- ◆ Always wear suitable safety equipment such as non-skid safety shoes, hard hat, goggles, ear protection and gloves when operating the tool.
- ◆ Ensure someone is nearby (at a safe distance) in case of an accident.
- ◆ Do not attempt to operate the tool when in a tree, on a ladder or standing on any other unstable support.
- ◆ Keep proper footing and balance at all times.
- ◆ Hold the tool firmly with both hands when the motor is running.
- ◆ Keep handles dry, clean and free from oil and grease. Greasy oily handles are slippery causing loss of control.
- ◆ Do not let the moving chain contact any object at the tip of the guide bar.
- ◆ Keep your saw chain properly tensioned. Check tension at regular intervals with the motor stopped and cord disconnected.

- ◆ Begin and continue cutting only with the chain moving at full speed.
- ◆ Watch for shifting branches or other forces that could close a cut and pinch or fall into the chain.
- ◆ Use extreme caution when re-entering a previous cut. Engage spikes on lower jaw into wood and allow the chain to reach full speed before proceeding with cut.
- ◆ Use of this tool for operation different to those intended could result in hazardous situations. Cut wood only. Don't use this tool for purposes not intended - for example - Don't use tool for cutting plastic, masonry or non wood building materials.
- ◆ If any debris gets caught with the guard or tool discontinue use, disconnect the power cord and clear debris.
- ◆ Worn chains and chain guide bars should be replaced.
- ◆ Only use replacement bars and chains specified by the manufacturer.

The following warning symbols are found on your tool:

-  Read the user manual.
-  Do not use your saw in wet conditions or expose it to rain.
-  Always wear head, hearing and eye protection.
-  Beware of falling objects. Keep bystanders away.
-  Do not use on ladders.
-  Do not dispose of product in bin.
-  Check the chain tension after every 10 minutes of use. Adjust back to a clearance of 3 mm.
-  Oil the chain after every 10 minutes of use.
-  Warning do not touch chain at the chip ejection point (9).
-  Direction of travel of the chain.
-  Immediately disconnect the cable from the mains if it is damaged or cut.

## Electrical safety



This tool is double insulated; therefore no earth wire is required. Always check that the power supply corresponds to the voltage on the rating plate.

## Additional safety instructions

- ◆ This appliance is not intended for use by young or infirm persons without supervision. Children must be supervised to ensure they do not play with the appliance.
- ◆ If the supply cord is damaged, it must be replaced by the manufacturer or an authorised Black & Decker Service Centre in order to avoid a hazard.

## Residual Risk

Despite the application of the relevant safety regulations and the implementation of safety measures, certain residual risks are inherent to the use of wood cutting saws and cannot be avoided. These are:

- ◆ Risk of injury arising from contact with moving parts, sharp parts, hot parts, branches or debris falling on the operator, bystanders or property, debris ejected by the tool.
- ◆ Risk of injury arising from un-intended use, falling from a ladder or working position in a tree, damage to the supply cable, use of the tool in wet or hazardous locations, use of the product by young children or infirm persons, failure to wear suitable personal protection or suitable clothing, breathing dust generated from cutting wood.

The above risks have been addressed by including warnings in the safety instructions and/or markings applied to the tool.

The vibration value stated in this manual is in accordance with the standardised test of EN60745. The operator should not be exposed to high levels of vibration for extended periods of time. The vibration emissions of this tool are below 5m/s and are within the limits set by 2002/44/EC for continuous operation in an 8 hour day. The actual operating conditions may vary or possibly increase the vibration level from those recorded in the standardised test.

## Contents

1. Oil bottle
2. Spanner
3. User manual
4. Alligator™ lopper

The above is included as a minimum.

## Overview

5. On/off switch actuators
6. Top jaw
7. Lower jaw
8. Chain guide bar
9. Chipping ejection point
10. Oiling cover

## Chain tension adjustment (fig. A)

**Warning!** Before chain or other adjustments, make sure that the tool is switched off and unplugged.

**Warning!** Guide bar and chain may be hot after use. Allow to cool before adjustment.

The product comes ready assembled. However we recommend that you check the tension of the chain, and chain retention nuts before use and if required adjust.

## Checking and adjusting the chain tension (fig. A)

To tension the chain slacken the two chain cover retention nuts (11) with the spanner (2) and the chain tensioning device will push the chain bar out, setting the correct tension. Retighten the two retention nuts (11) securely.

Check the correct tension has been set by lightly pulling on the chain. The tension is correct when the chain snaps back after being pulled 3 mm away from the guide bar. There should be no "sag" between the guide bar and chain on the underside.

**Note:** Do not over tension the chain as this will lead to excessive wear and reduce the life of the bar and chain. It will also lead to reduced product performance.

**Note:** With first use and when the chain is new, check tension frequently as a new chain stretches slightly.

## Replacing the chain and chain bar

After prolonged use the chain and /or chain bar may need replacing. Ensure only Black & Decker recommended replacements are used.

## Removing the saw chain & chain bar (figs. A & B)

**Warning!** Always wear protective gloves when installing or removing the saw chain. The saw chain is sharp and can cut you when it is not running.

**Warning!** Guide bar and chain may be hot after use. Allow to cool before replacing.

- ◆ Place the tool on a firm surface.
- ◆ Rotate the two retention nuts (11) counter clockwise with spanner (2) provided and remove completely.
- ◆ Remove the chain access cover (12).
- ◆ Open the handles and pull back the top jaw (6).
- ◆ Pull back chain bar (8) and then lift the saw chain (9) out of the groove in the guide bar. The chain can then be removed from the unit.
- ◆ The chain bar can then be angled up and over the bolts.

## Assembling the chain bar and chain (figs. C & D)

**Warning!** Always wear protective gloves when installing or removing the saw chain. The saw chain is sharp and can cut you when it is not running.

- ◆ Ensure the operation is carried out on a firm surface.
- ◆ Open the handles and pull back the top jaw (6).



- ◆ Insert the chain bar (8) into the space between the chain tensioner and the first bolt, angle the chain bar down over the bolts.
- ◆ Place the chain (9) around the front of the chain bar and engage in the nose sprocket of the chain bar.
- ◆ Pull the chain bar and chain back, engaging it in the groove in the chain bar and then over the sprocket (14) positioning teeth in the correct position on the sprocket.
- ◆ Replace the chain access cover (12) and retention nuts (11) tightening securely.

## Use

**Warning!** Let the tool work at its own pace. Do not overload.

- ◆ Carry out regular cleaning of the unit as described in the maintenance section and in particular cleaning inside the chain access cover.
- ◆ The lower jaw (7) and top jaw (6) are designed to close when one of the handles is released or when the piece of branch being cut has been cut. If this does not occur, discontinue use of the tool and remove the plug from the socket. Check if any debris is blocking movement. To help in this process it may be necessary to remove chain access cover (12). If on assembly the problem is still present return the unit to an authorised service centre.

## Oiling (fig. E)

- ◆ Before first use and every ten minutes of use you must oil the product with the correct chain oil. (Cat No A6027) Open the oiling cover (10) and insert the bottle into the oil filling hole (15), apply pressure to the bottle once to dispense oil.
- ◆ This should be adequate for about 10 minutes of cutting depending upon cutting speed and type of wood.
- ◆ The hole feeds the oil through to the chain on to the chain bar and an excessive amount of oil applied to the unit could mean the oil drips from the unit around the jaw area. This is normal and is nothing to be concerned about.

## Switching on and off

**Warning!** Never attempt to lock or fix a switch actuator in the on position.

For your safety, this tool is equipped with a double switching system. This system prevents starting the tool inadvertently.

## Switching on (fig. F)

Ensure a firm grip on the handles and then squeeze both switch actuators to switch the unit on.

## Switching off (fig. F)

Release either of the switches.

**Note:** Both switches must be activated for the product to be used.

Do not force the tool - allow it to do the work. It will do a better and safer job at the speed for which it is designed. Excessive force will stretch the chain.

If the saw chain or bar becomes jammed:

- ◆ Switch the tool off.
- ◆ Disconnect the tool from the mains supply.
- ◆ Open the cut with wedges to relieve the strain on the guide bar. Do not try to wrench the saw free. Start a fresh cut.

## Trimming branches (fig. G)

Ensure that there are no local by-laws or regulations that would prohibit or control the trimming of the tree limbs.

- ◆ Make sure the tool is running at full speed before making a cut.
- ◆ Hold the tool firmly in place to avoid possible bouncing or sideways movement of the tool.
- ◆ Guide the tool using light pressure.
- ◆ Always cut down from the top. This way you will avoid pinching the saw chain.
- ◆ Remove branches as shown in Fig G. Starting from the branch tip, reduce the branch in logical steps cutting off small sections.
- ◆ Remove the tool from the cut while it is running at full speed.

## Maintenance

Your Black & Decker tool has been designed to operate over a long period of time with a minimum of maintenance. Continuous satisfactory operation depends upon proper tool care and regular cleaning.

**Warning!** Before performing any maintenance or cleaning of the tool, unplug the unit from the power supply.

## Cleaning

- ◆ Regularly remove the chain access cover and remove any debris that has become trapped.
- ◆ Regularly clean the ventilation slots with a clean, dry paint brush.
- ◆ To clean the tool, use only mild soap and a damp cloth. Never let any liquid get inside the tool and never immerse any part of the tool into liquid.

## Oiling

- ◆ Regularly oil the oiling points (15) as indicated in figure B.

## Transport

- ◆ Always transport the tool with the jaws closed.

**Storage**

- ◆ When the tool will not be used for several months, wipe any metal components with oil.
- ◆ Store the tool in a secure and dry location. The storage temperature must always remain in the range of + 5 °C to + 40 °C. Place the product on a level safe location.

**Protecting the environment**



Should you find one day that your tool needs replacement, or if it is of no further use to you, think of the protection of the environment. Black & Decker repair agents will accept old Black & Decker tools and ensure that they are disposed of in an environmentally safe way.



Separate collection of used products and packaging allows materials to be recycled and used again. Re-use of recycled materials helps prevent environmental pollution and reduces the demand for raw materials.

Local regulations may provide for separate collection of electrical products from the household, at municipal waste sites or by the retailer when you purchase a new product.

Black & Decker provides a facility for the collection and recycling of Black & Decker products once they have reached the end of their working life. To take advantage of this service please return your product to any authorised repair agent who will collect them on our behalf.

You can check the location of your nearest authorised repair agent by contacting your local Black & Decker office at the address indicated in this manual. Alternatively, a list of authorised Black & Decker repair agents and full details of our after-sales service and contacts are available on the Internet at: [www.2helpU.com](http://www.2helpU.com).

**Technical data**

		<b>GK1000</b>	<b>GK1050</b>
Voltage	$V_{AC}$	230	230
Power input	W	550	600
Chain speed (No-load)	m/s	2.3	2.3
Maximum diameter of cut	mm	100	100
Weight	kg	3	3

**EC declaration of conformity**

GK1000/GK1050

Black & Decker declares that these products conform to: 98/37/EC, 89/336/EEC, EN 60745, EN 55014, EN61000, EN60335, 2000/14/EC, Chainsaw ≤ 600 W, Annex V  
Guaranteed sound pressure level, measured according to 2000/14/EC:

$L_{pA}$  (sound pressure) 87 dB(A),

$L_{WA}$  (acoustic power) 98 dB(A),

$L_{WA}$  (guaranteed) 105 dB(A),

hand/arm weighted vibration 2.6 m/s<sup>2</sup>

Kevin Hewitt

Director of Consumer Engineering  
Spennymoor, County Durham DL16 6JG,  
United Kingdom  
1-5-2005

The Alligator™ Lopper is the subject of patent and design applications in Europe, the United States and other countries around the world. ALLIGATOR is a trade mark of The Black & Decker Corporation.

## Guarantee

Black & Decker is confident of the quality of its products and offers an outstanding guarantee. This guarantee statement is in addition to and in no way prejudices your statutory rights. The guarantee is valid within the territories of the Member States of the European Union and the European Free Trade Area.

If a Black & Decker product becomes defective due to faulty materials, workmanship or lack of conformity, within 24 months from the date of purchase, Black & Decker guarantees to replace defective parts, repair products subjected to fair wear and tear or replace such products to ensure minimum inconvenience to the customer unless:

- ◆ The product has been used for trade, professional or hire purposes.
- ◆ The product has been subjected to misuse or neglect.
- ◆ The product has sustained damage through foreign objects, substances or accidents.
- ◆ Repairs have been attempted by persons other than authorised repair agents or Black & Decker service staff.

To claim on the guarantee, you will need to submit proof of purchase to the seller or an authorised repair agent. You can check the location of your nearest authorised repair agent by contacting your local Black & Decker office at the address indicated in this manual. Alternatively, a list of authorised Black & Decker repair agents and full details of our after-sales service and contacts are available on the Internet at:

**[www.2helpU.com](http://www.2helpU.com)**.

Please visit our website **[www.blackanddecker.co.uk](http://www.blackanddecker.co.uk)** to register your new Black & Decker product and to be kept up to date on new products and special offers. Further information on the Black & Decker brand and our range of products is available at **[www.blackanddecker.co.uk](http://www.blackanddecker.co.uk)**.

## Bestimmungsgemäße Verwendung

Der Astschneider Black & Decker Alligator™ ist für den Beschnitt von Baumästen, für das Sägen von herabgefallenen Ästen und für das Sägen kleinerer Stämme mit einem Durchmesser von 25 mm bis 100 mm vorgesehen. Voraussetzung ist in jedem Fall, dass der Bediener auf dem Boden steht. Dieses Gerät ist nicht für den gewerblichen Einsatz bestimmt.

## Allgemeine Sicherheitsregeln

**Achtung!** Sämtliche Anweisungen sind zu lesen. Die Nichteinhaltung der nachstehend aufgeführten Anweisungen kann einen elektrischen Schlag, Brand und/oder schwere Verletzungen verursachen. Der nachfolgend verwendete Begriff „Gerät“ bezieht sich auf netzbetriebene Geräte (mit Netzkabel) und auf akkubetriebene Geräte (ohne Netzkabel). BEWAHREN SIE DIESE ANWEISUNGEN AUF.

1. **Arbeitsbereich**
  - a. **Halten Sie Ihren Arbeitsbereich sauber und gut ausgeleuchtet.** Unordnung und dunkle Arbeitsbereiche können zu Unfällen führen.
  - b. **Arbeiten Sie mit Geräten nicht in explosionsgefährdeter Umgebung, in der sich brennbare Flüssigkeiten, Gase oder Stäube befinden.** Geräte erzeugen Funken, die den Staub oder die Dämpfe entzünden können.
  - c. **Halten Sie Kinder und andere Personen während der Benutzung des Gerätes fern.** Bei Ablenkung können Sie die Kontrolle verlieren.
2. **Elektrische Sicherheit**
  - a. **Der Anschlussstecker des Gerätes muss in die Steckdose passen. Der Stecker darf in keiner Weise verändert werden. Verwenden Sie keine Adapterstecker gemeinsam mit schutzgeerdeten Geräten.** Unveränderte Stecker und passende Steckdosen verringern das Risiko eines elektrischen Schlages.
  - b. **Vermeiden Sie Körperkontakt mit geerdeten Oberflächen von Rohren, Heizungen, Herden und Kühlschränken.** Es besteht ein erhöhtes Risiko eines elektrischen Schlags, wenn Ihr Körper geerdet ist.
  - c. **Halten Sie Geräte von Regen und Nässe fern.** Das Eindringen von Wasser in ein Gerät erhöht das Risiko eines elektrischen Schlages.
  - d. **Missbrauchen Sie nicht das Kabel. Verwenden Sie das Kabel niemals zum Tragen, Ziehen oder Trennen des Gerätes vom Netz. Halten Sie das Kabel fern von Hitze, Öl, scharfen Kanten oder sich bewegenden Teilen.** Beschädigte oder verwickelte Kabel erhöhen das Risiko eines elektrischen Schlages.
- e. **Wenn Sie mit einem Gerät im Freien arbeiten, verwenden Sie nur Verlängerungskabel, die auch für den Außenbereich zugelassen sind.** Die Verwendung eines für den Außenbereich geeigneten Verlängerungskabels verringert das Risiko eines elektrischen Schlages.
3. **Sicherheit von Personen**
  - a. **Seien Sie aufmerksam, achten Sie darauf, was Sie tun, und gehen Sie vernünftig mit einem Gerät um. Benutzen Sie das Gerät nicht, wenn Sie müde sind oder unter dem Einfluss von Drogen, Alkohol oder Medikamenten stehen.** Ein Moment der Unachtsamkeit beim Gebrauch von Geräten kann zu ernsthaften Verletzungen führen.
  - b. **Verwenden Sie Schutzausrüstung. Tragen Sie stets einen Augenschutz.** Schutzausrüstung wie Staubmaske, rutschfeste Sicherheitsschuhe, Schutzhelm oder Gehörschutz, je nach Art und Einsatz des Gerätes, verringert das Risiko von Verletzungen.
  - c. **Vermeiden Sie eine unbeabsichtigte Inbetriebnahme. Vergewissern Sie sich vor der Montage, dass das Gerät ausgeschaltet ist und dass der Netzstecker gezogen wurde.** Durch das Tragen des Gerätes mit dem Finger am Schalter oder durch das Anschließen eingeschalteter Geräte werden Unfälle provoziert.
  - d. **Entfernen Sie Einstell- oder Schraubenschlüssel, bevor Sie das Gerät einschalten.** Ein Schlüssel, der sich in einem sich drehenden Teil befindet, kann zu Verletzungen führen.
  - e. **Nicht zu weit nach vorne strecken! Sorgen Sie für sicheren Stand und halten Sie jederzeit das Gleichgewicht.** Dadurch können Sie das Gerät in unerwarteten Situationen besser unter Kontrolle halten.
  - f. **Tragen Sie geeignete Kleidung. Tragen Sie keine weite Kleidung oder Schmuck. Halten Sie Haare, Kleidung und Handschuhe fern von sich bewegenden Teilen.** Lockere Kleidung, Schmuck oder lange Haare können von sich bewegenden Teilen erfasst werden.
  - g. **Falls Staubabsaug- und Staubfangvorrichtungen vorhanden sind, vergewissern Sie sich, dass diese angeschlossen sind und richtig verwendet werden.** Das Verwenden dieser Einrichtungen verringert Gefährdungen durch Staub.
4. **Gebrauch und Pflege von Geräten**
  - a. **Überlasten Sie das Gerät nicht. Verwenden Sie für Ihre Arbeit das dafür bestimmte Gerät.** Mit dem passenden Gerät arbeiten Sie besser und sicherer im angegebenen Leistungsbereich.

**b. Benutzen Sie kein Gerät, dessen Schalter defekt ist.**

Ein Gerät, das sich nicht mehr ein- oder ausschalten lässt, ist gefährlich und muss repariert werden.

**c. Ziehen Sie den Stecker aus der Steckdose, bevor Sie Einstellungen vornehmen, Zubehörteile wechseln oder das Gerät weglegen.** Diese Vorsichtsmaßnahme verhindert den unbeabsichtigten Start des Gerätes.**d. Bewahren Sie unbenutzte Geräte außerhalb der Reichweite von Kindern auf. Lassen Sie Geräte nicht von Personen benutzen, die damit nicht vertraut sind oder diese Anweisungen nicht gelesen haben.** Geräte sind gefährlich, wenn sie von unerfahrenen Personen benutzt werden.**e. Halten Sie Geräte in einem einwandfreien Zustand. Kontrollieren Sie, ob bewegliche Teile falsch ausgerichtet sind oder klemmen und ob Teile gebrochen oder so beschädigt sind, dass die Funktion des Gerätes beeinträchtigt ist. Lassen Sie beschädigte Geräte vor dem Gebrauch reparieren.**

Viele Unfälle haben ihre Ursache in schlecht gewarteten Geräten.

**f. Halten Sie Schneidgeräte scharf und sauber.** Sorgfältig gepflegte Schneidgeräte mit scharfen Schneidkanten verklemmen sich weniger und sind leichter zu führen.**g. Verwenden Sie Gerät, Zubehör, Einsatz-Bits usw. entsprechend diesen Anweisungen und so, wie es für diesen speziellen Gerätetyp vorgeschrieben ist. Berücksichtigen Sie dabei die Arbeitsbedingungen und die ausführende Arbeit.** Der Gebrauch von Geräten für andere als die vorgesehenen Anwendungen kann zu gefährlichen Situationen führen.**5. Service****a. Lassen Sie Ihr Gerät nur von qualifiziertem Fachpersonal und nur mit Original-Ersatzteilen reparieren.** Damit wird gewährleistet, dass die Sicherheit des Gerätes erhalten bleibt.**Zusätzliche Sicherheitshinweise für den Astschneider Alligator™**

**Achtung!** Verwenden Sie das Gerät niemals über Schulterhöhe. Stellen Sie sich immer so auf, dass Sie nicht von herabfallenden Ästen oder Holzstücken getroffen werden können.

**Achtung!** Dieses Gerät darf nicht zum Fällen von Bäumen verwendet werden.

- ◆ Halten Sie alle Körper- und Kleidungsstücke von der Kette fern, während das Gerät in Betrieb ist. Halten Sie das Gerät vor dem Körper, und achten Sie auf die Position der Kette, insbesondere wenn Sie Äste in Bodennähe schneiden. Vergewissern Sie sich vor dem Einschalten, dass die Kette keine Gegenstände berührt.

- ◆ Planen Sie einen sicheren Fluchtweg vor herabfallenden Ästen und Holzstücken. Achten Sie darauf, dass der Fluchtweg frei von Hindernissen ist, die Ihre Bewegungsfreiheit stören könnten. Berücksichtigen Sie, dass feuchtes Gras und frisch geschnittene Baumrinde rutschig sind.
- ◆ Schätzen Sie die Richtung ab, in die ein Ast fallen kann. Berücksichtigen Sie dabei alle Faktoren, die die Fallrichtung beeinflussen können:
  - gewünschte Fallrichtung
  - wuchsbedingte Neigung des Astes
  - Morschheit oder außergewöhnlich schwere Holzstruktur
  - Bäume und Hindernisse in der Umgebung (evtl. frei verlegte Stromleitungen)
  - Windgeschwindigkeit und Windrichtung
- ◆ Der Sicherheitsabstand zwischen dem zu schneidenden Ast und Zuschauern, Gebäuden und anderen Gegenständen beträgt mindestens das 2,5fache der Astlänge. Für Gegenstände, Gebäude und Zuschauer innerhalb dieses Abstandsbereichs besteht die Gefahr, von dem herabfallenden Ast getroffen zu werden.
- ◆ Machen Sie sich beim Durchtrennen eines Astes unter Spannung auf das Zurückschnellen gefasst. Sobald die Spannung in den Holzfasern freigesetzt wird, kann der Ast den Bediener treffen und/oder gegen das Gerät schlagen und dieses außer Kontrolle bringen.
- ◆ Tragen Sie bei der Arbeit mit dem Gerät immer geeignete Schutzkleidung. Dazu gehören rutschfeste Sicherheitsschuhe, ein Schutzhelm, eine Schutzbrille, ein Gehörschutz und Handschuhe.
- ◆ Stellen Sie sicher, dass sich für den Fall eines Unfalls jemand in der Nähe befindet (jedoch in ausreichendem Sicherheitsabstand).
- ◆ Arbeiten Sie nicht mit dem Gerät, während Sie im Baum, auf einer Leiter oder einer anderen instabilen Fläche stehen.
- ◆ Achten Sie jederzeit auf einen sicheren Stand, und halten Sie jederzeit das Gleichgewicht.
- ◆ Halten Sie das Gerät fest mit beiden Händen, während der Motor läuft.
- ◆ Achten Sie darauf, dass die Griffe trocken, sauber sowie frei von Öl und Fett sind. Schmierige, ölige Griffe sind rutschig. Dadurch ist die Kontrolle über das Gerät nicht mehr gewährleistet.
- ◆ Bei laufender Kette darf die Spitze des Führungsschwerts nicht mit einem Gegenstand in Kontakt kommen.
- ◆ Die Kette muss immer richtig gespannt sein. Prüfen Sie die Kettenspannung regelmäßig bei stehendem Motor und abgezogenem Stromkabel.

- ◆ Zu Beginn und während des Schnitts muss die Kette immer mit voller Geschwindigkeit laufen.
- ◆ Achten Sie auf die Bewegung des geschnittenen Astes und auf andere Kräfte, die dazu führen könnten, dass sich der Schnittpalt schließt und die Kette einklemmt oder dass Holz in die laufende Kette fällt.
- ◆ Arbeiten Sie mit höchster Vorsicht, wenn Sie die Säge in einen vorhandenen Schnittpalt einführen. Setzen Sie die Zacken des unteren Klauenbügels am Holz an, und warten Sie, bis die Kette ihre volle Geschwindigkeit erreicht hat, bevor Sie den Schnitt fortsetzen.
- ◆ Der Gebrauch des Gerätes für andere als die vorgesehenen Anwendungen kann zu gefährlichen Situationen führen. Schneiden Sie nur in Holz. Verwenden Sie dieses Gerät nicht zweckentfremdet. Schneiden Sie mit dem Gerät beispielsweise keinen Kunststoff, kein Mauerwerk und keine Baumaterialien, die nicht aus Holz sind.
- ◆ Wenn sich zwischen Kette und Kettenschutz oder an anderen Stellen des Gerätes Späne verfangen, ziehen Sie das Stromkabel ab und beseitigen die Späne.
- ◆ Verschlissene Ketten und Führungsschwerter müssen ausgetauscht werden.
- ◆ Als Ersatzteile dürfen nur die vom Hersteller bezeichneten Schwerter und Ketten verwendet werden.

Am Gerät sind die folgenden Warnsymbole angebracht:



Lesen Sie die Anleitung vollständig durch.



Verwenden Sie die Säge nicht in nasser Umgebung, und schützen Sie sie vor Regen.



Tragen Sie stets Kopf-, Gehör- und Augenschutz.



Achten Sie auf herabfallende Gegenstände.



Halten Sie Zuschauer aus dem Gefahrenbereich fern.



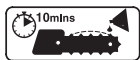
Arbeiten Sie nicht mit dem Gerät, während Sie auf einer Leiter stehen.



Das Gerät darf nicht mit dem Hausmüll entsorgt werden.



Prüfen Sie die Kettenspannung nach jeweils 10 Minuten Betrieb. Stellen Sie das Spiel ggf. wieder auf 3 mm ein.



Ölen Sie die Kette nach jeweils 10 Minuten Betrieb.



Achtung: Greifen Sie nicht am Spanauswurf (9) in die Kette.



Laufrichtung der Kette.



Ziehen Sie den Stecker sofort aus der Netzsteckdose, falls das Kabel beschädigt oder durchtrennt wurde.

## Elektrische Sicherheit



Dieses Gerät ist schutzisoliert, daher ist keine Erdleitung erforderlich. Überprüfen Sie immer, ob die Netzspannung der auf dem Typenschild des Gerätes angegebenen Spannung entspricht.

## Zusätzliche Sicherheitshinweise

- ◆ Das Gerät ist nicht für die unbeaufsichtigte Verwendung durch Kinder oder gebrechliche Personen vorgesehen. Kinder müssen beaufsichtigt werden, um sicherzustellen, dass sie nicht mit dem Gerät spielen.
- ◆ Ist das Netzkabel beschädigt, muss es durch den Hersteller oder eine Black & Decker Vertragswerkstatt ausgetauscht werden, um eine mögliche Gefährdung zu vermeiden.

## Restrisiko

Trotz aller Sicherheitsmaßnahmen und trotz Einhaltung der einschlägigen Sicherheitsvorschriften bleibt die Verwendung von Holzsägen prinzipbedingt mit Gefahren verbunden, die sich nicht vermeiden lassen. Dies sind:

- ◆ Gefahr der Verletzung durch Kontakt mit bewegten Teilen, scharfen Teilen und heißen Teilen, durch Äste oder Späne, die auf den Bediener, auf Zuschauer oder Gebäude fallen sowie durch Späne und Splitter, die vom Gerät ausgeworfen werden.
- ◆ Gefahr der Verletzung durch unbeabsichtigten Betrieb des Gerätes, durch Herabfallen von der Arbeitsposition auf einer Leiter oder in einem Baum, durch Beschädigung des Netzkabels, Verwendung des Gerätes in nasser oder gefährlicher Umgebung, Verwendung durch Kinder oder Personen, die mit der Bedienung nicht vertraut sind, durch fehlende oder ungeeignete Arbeitsschutzmittel bzw. Arbeitskleidung sowie durch Einatmen des beim Sägen entstehenden Holzstaubs.

Die oben beschriebenen Gefahren wurden durch Warnungen in den Sicherheitshinweisen und/oder durch entsprechende Symbole und Markierungen am Gerät kenntlich gemacht.

Der in dieser Anleitung genannte Vibrationswert entspricht den Richtwerten der genormten Prüfung gemäß EN 60745. Der Bediener darf nicht für längere Zeit starken Vibrationen ausgesetzt sein. Das Vibrationsniveau dieses Gerätes liegt unter 5m/s und damit innerhalb der Grenzwerte, die in der EU-Richtlinie „Vibration“ (2002/44/EG) für die Schwingungsbelastung während des Dauerbetriebs an einem achtstündigen Arbeitstag festgelegt sind. Die tatsächlichen Betriebsbedingungen können von den Bedingungen des genormten Tests abweichen oder das Vibrationsniveau erhöhen.

### Verpackungsinhalt

1. Ölflasche
2. Schraubenschlüssel
3. Bedienungsanleitung
4. Astschneider Alligator™

Diese Komponenten stellen den minimalen Lieferumfang dar.

### Überblick

5. Ein-/Aus-Schalter
6. Obere Klaue
7. Untere Klaue
8. Kettenführungsschwert
9. Spanauswurf
10. Abdeckung für die Ölschmierung

### Einstellen der Kettenspannung (Abb. A)

**Achtung!** Bevor Sie Einstellungen an der Kette oder anderen Teilen vornehmen, vergewissern Sie sich, dass das Gerät ausgeschaltet ist und der Netzstecker gezogen wurde.

**Achtung!** Das Führungsschwert und die Kette können nach Gebrauch des Gerätes heiß sein. Warten Sie, bis sich das Gerät abgekühlt hat, bevor Sie mit der Einstellung beginnen.

Das Gerät wird betriebsfertig montiert geliefert. Es empfiehlt sich jedoch, vor der ersten Verwendung die Kettenspannung sowie den Sitz der Kettenarretierungsmuttern zu überprüfen und ggf. zu korrigieren.

### Prüfen und Einstellen der Kettenspannung (Abb. A)

Um die Kette zu spannen, lösen Sie mit dem Schraubenschlüssel (2) die beiden Arretierungsmuttern (11) an der Kettenschutzhäube. Die Kettenspannvorrichtung drückt das Führungsschwert nach außen. Damit ergibt sich automatisch die richtige Spannung. Ziehen Sie die beiden Arretierungsmuttern (11) wieder fest an.

Überprüfen Sie die Kettenspannung, indem Sie die Kette leicht vom Führungsschwert wegziehen. Die Spannung ist dann richtig, wenn die Kette in einem Abstand von 3 mm vom Führungsschwert zurückschnappt. An der Unterseite darf zwischen Führungsschwert und Kette kein Durchhang zu sehen sein.

**Hinweis:** Überspannen Sie die Kette nicht. Dies würde den Verschleiß erhöhen und die Lebensdauer von Kette und Führungsschwert verkürzen. Außerdem würde sich dadurch die Geräteleistung verringern.

**Hinweis:** Wenn eine neue Kette die ersten Male verwendet wird, muss die Spannung häufiger geprüft werden, da sich neue Ketten etwas dehnen.

### Austauschen der Kette und des Führungsschwerts

Nach längerem Gebrauch müssen eventuell die Kette und/oder das Führungsschwert erneuert werden. Verwenden Sie ausschließlich die von Black & Decker bezeichneten Ersatzteile.

#### Abnehmen der Sägekette und des Führungsschwerts (Abb. A und B)

**Achtung!** Tragen Sie beim Aufziehen und Abnehmen der Sägekette immer eine Schutzbrille. Die Sägekette ist scharf und kann auch in ruhendem Zustand zu Schnittverletzungen führen.

**Achtung!** Das Führungsschwert und die Kette können nach Gebrauch des Gerätes heiß sein. Warten Sie, bis sich diese Teile abgekühlt haben.

- ◆ Legen Sie das Gerät auf eine stabile Unterlage.
- ◆ Drehen Sie die beiden Arretierungsmuttern (11) mit dem mitgelieferten Schraubenschlüssel (2) gegen den Uhrzeigersinn.
- ◆ Nehmen Sie die Kettenschutzhäube ab (12).
- ◆ Öffnen Sie die Griffe, und ziehen Sie die obere Klaue (6) zurück.
- ◆ Ziehen Sie das Führungsschwert (8) zurück, und heben Sie die Sägekette (9) aus der Nut im Führungsschwert. Die Kette kann nun vom Gerät abgenommen werden.
- ◆ Das Führungsschwert kann anschließend angewinkelt und über die Schrauben abgehoben werden.

#### Anbringen des Führungsschwerts und der Kette (Abb. C und D)

**Achtung!** Tragen Sie beim Aufziehen und Abnehmen der Sägekette immer eine Schutzbrille. Die Sägekette ist scharf und kann auch in ruhendem Zustand zu Schnittverletzungen führen.

- ◆ Legen Sie das Gerät unbedingt auf eine stabile Unterlage.
- ◆ Öffnen Sie die Griffe, und ziehen Sie die obere Klaue (6) zurück.
- ◆ Setzen Sie das Führungsschwert (8) zwischen dem Kettenspanner und der ersten Schraube an, und kippen Sie das Führungsschwert über die Schrauben nach unten.
- ◆ Legen Sie die Kette (9) um die Spitze des Führungsschwerts, und zwar so, dass die Glieder in das Kettenrad an der Spitze des Führungsschwerts greifen.
- ◆ Ziehen Sie die Kette und das Führungsschwert zurück, und legen Sie die Kette um das Antriebskettenrad (14). Die Zähne müssen in die richtige Richtung weisen.
- ◆ Legen Sie die Kettenschutzhäube (12) wieder auf, und ziehen Sie die Arretierungsmuttern (11) fest an.

## Gebrauch

**Achtung!** Beschleunigen Sie den Arbeitsvorgang nicht mit Gewalt. Vermeiden Sie eine Überlastung des Gerätes.

- ◆ Reinigen Sie das Gerät regelmäßig, wie im Abschnitt „Wartung“ beschrieben. Vergessen Sie insbesondere nicht, die Kettenschutzhaube von innen zu reinigen.
- ◆ Die untere Klaue (7) und die obere Klaue (6) schließen sich automatisch, wenn einer der Griffe losgelassen wird oder wenn ein Aststück vollkommen durchtrennt ist. Falls sich die Klauen nicht schließen sollten, stellen Sie den Gebrauch des Gerätes sofort ein und ziehen das Netzkabel aus der Steckdose. Prüfen Sie, ob die Bewegung durch Ablagerungen oder Fremdkörper blockiert wird. Dafür kann es notwendig sein, die Kettenschutzhaube (12) abzunehmen. Tritt die Störung nach dem Anbringen der Kettenschutzhaube erneut auf, lassen Sie das Gerät in einer Vertragswerkstatt überprüfen.

## Ölen (Abb. E)

- ◆ Bevor das Gerät das erste Mal verwendet wird, muss es mit geeignetem Kettenöl geölt werden (Katalognr. A6027). Dasselbe gilt anschließend nach jeweils 10 Minuten Betrieb. Öffnen Sie die Abdeckung für die Ölschmierung (10), und setzen Sie die Flaschentülle in die Befüllöffnung (15) ein. Drücken Sie dann ein Mal auf die Flasche, so dass Öl austritt.
- ◆ Abhängig von der Schnittgeschwindigkeit und der Holzsorte genügt die damit eingefüllte Menge für ca. 10 Minuten.
- ◆ Das Öl gelangt durch die Öffnung auf die Kette und damit auf das Führungsschwert. Wurde zu viel Öl eingefüllt, tropft dieses im Bereich der Klauen aus dem Gerät. Dies ist normal und verlangt keine weiteren Maßnahmen.

## Ein- und Ausschalten

**Achtung!** Versuchen Sie niemals, ein Schalterbetätigungselement in seiner Einschaltstellung zu arretieren oder zu fixieren.

Das Gerät ist zu Ihrer Sicherheit mit einer Zweihandbetätigung ausgestattet. Diese verhindert das versehentliche Einschalten.

## Einschalten (Abb. F)

Halten Sie das Gerät mit beiden Händen an den Griffen sicher fest. Drücken Sie dann die beiden Schalter, um das Gerät einzuschalten.

## Ausschalten (Abb. F)

Lassen Sie einen der beiden Schalter los.

**Hinweis:** Das Gerät läuft nur an, wenn beide Schalter gedrückt sind.

Überlasten Sie das Gerät nicht. Beschleunigen Sie den Arbeitsvorgang nicht mit Gewalt. Das Gerät funktioniert sicherer und liefert bessere Ergebnisse, wenn Sie es mit seiner konstruktionsbedingten Geschwindigkeit arbeiten lassen. Übermäßiger Krafteinsatz dehnt die Kette aus.

Eingeklemmte Kette oder eingeklemmtes Führungsschwert:

- ◆ Schalten Sie das Gerät aus.
- ◆ Ziehen Sie den Netzstecker aus der Steckdose.
- ◆ Öffnen Sie den Schnittpalt mit Keilen, um den Druck vom Führungsschwert zu nehmen. Versuchen Sie nicht, die Säge mit Ruck- oder Drehbewegungen frei zu bekommen. Beginnen Sie an anderer Stelle einen neuen Schnitt.

## Rückschnitt von Ästen (Abb. G)

Vergewissern Sie sich, dass der Rückschnitt von Bäumen und Gehölzen nicht durch lokale Verordnungen oder Gesetze eingeschränkt oder untersagt wird.

- ◆ Vergewissern Sie sich, dass das Gerät seine volle Geschwindigkeit erreicht hat, bevor Sie die Kette ansetzen.
- ◆ Halten Sie das Gerät fest in seiner Position, um Rückschlag- und Seitwärtsbewegungen des Gerätes zu verhindern.
- ◆ Führen Sie das Gerät nur mit leichtem Druck.
- ◆ Schneiden Sie immer von oben nach unten. So vermeiden Sie, dass die Kette eingeklemmt wird.
- ◆ Kürzen Sie Äste so, wie in Abbildung G dargestellt. Beginnen Sie an der Astspitze, und kürzen Sie die Länge schrittweise ein. Schneiden Sie dabei immer nur kleinere Stücke ab.
- ◆ Heben Sie das Gerät bei voller Kettengeschwindigkeit aus dem Schnittpalt.

## Wartung

Ihr Black & Decker Gerät wurde im Hinblick auf eine lange Lebensdauer und einen möglichst geringen Wartungsaufwand entwickelt. Ein dauerhafter, einwandfreier Betrieb setzt eine regelmäßige Pflege und Reinigung voraus.

**Achtung!** Ziehen Sie den Netzstecker des Gerätes aus der Steckdose, bevor Sie mit Wartungs- oder Reinigungsarbeiten am Gerät beginnen.

## Reinigung

- ◆ Nehmen Sie regelmäßig die Kettenschutzhaube ab, und entfernen Sie sämtliche Ablagerungen, die sich festgesetzt haben.
- ◆ Reinigen Sie die Lüftungsschlitze regelmäßig mit einem sauberen, trockenen Pinsel.
- ◆ Reinigen Sie das Gerät ausschließlich mit milder Seifenlösung und einem angefeuchteten Tuch. Achten Sie darauf, dass keine Flüssigkeit in das Gerät gelangt. Tauchen Sie kein Teil des Gerätes in Flüssigkeit ein.



**Ölen**

- ◆ Geben Sie regelmäßig Öl auf die Ölungspunkte (15), wie in Abbildung B dargestellt.

**Transport**

- ◆ Transportieren Sie das Gerät immer mit geschlossenen Klauen.

**Aufbewahrung**

- ◆ Wenn das Gerät für mehrere Monate nicht benutzt werden soll, wischen Sie alle Metallteile mit Öl ab.
- ◆ Bewahren Sie das Gerät an einem sicheren und trockenen Ort auf. Die Temperatur am Aufbewahrungsort muss immer im Bereich von +5 °C bis +40 °C liegen. Legen Sie das Gerät auf einem stabilen und waagerechten Untergrund ab.

**Umweltschutz**



Sollten Sie das Gerät eines Tages durch ein neues Gerät ersetzen möchten oder keine Verwendung mehr dafür haben, denken Sie bitte an den Schutz der Umwelt. Black & Decker nimmt Ihre ausgedienten Black & Decker Geräte gern zurück und sorgt für eine umweltgerechte Entsorgung.



Durch die separate Sammlung von ausgedienten Produkten und Verpackungsmaterialien können Rohstoffe recycelt und wiederverwendet werden. Die Wiederverwendung aufbereiteter Materialien trägt zur Vermeidung der Umweltverschmutzung bei und senkt den Rohstoffbedarf.

Die Abfallentsorgungssatzung Ihrer Gemeinde sieht möglicherweise vor, dass Elektrogeräte getrennt vom Hausmüll gesammelt, an der örtlichen Abfallentsorgungseinrichtung abgegeben oder beim Kauf eines neuen Produkts vom Fachhandel zur Entsorgung angenommen werden müssen.

Black & Decker nimmt Ihre ausgedienten Black & Decker Geräte gern zurück und sorgt für eine umweltfreundliche Entsorgung bzw. Wiederverwertung. Um diese Dienstleistung in Anspruch zu nehmen, geben Sie das Gerät bitte bei einer autorisierten Reparaturwerkstatt ab, die für uns die Einsammlung übernimmt.

Die Adresse der zuständigen Niederlassung von Black & Decker steht in dieser Anleitung. Diese teilt Ihnen gerne die nächstgelegene Vertragswerkstatt mit. Außerdem ist eine Liste der Vertragswerkstätten und aller Kundendienststellen von Black & Decker sowie der zuständigen Ansprechpartner im Internet zu finden unter: [www.2helpU.com](http://www.2helpU.com).

**Technische Daten**

		GK1000	GK1050
Spannung	V <sub>AC</sub>	230	230
Leistungsaufnahme	W	550	600
Kettengeschwindigkeit (Leerlauf)	m/s	2,3	2,3
Maximaler Schnittdurchmesser	mm	100	100
Gewicht	kg	3	3

**EU-Konformitätserklärung**

GK1000/GK1050

Black & Decker erklärt, dass diese Produkte den folgenden Normen entsprechen:  
 98/37/EG, 89/336/EWG, EN 60745, EN 55014, EN 61000, EN 60335, 2000/14/EG, Kettensäge ≤600 W, Annex V  
 Garantiertes Schalldruckpegel, gemessen nach 2000/14/EG:

- L<sub>pA</sub> (Schalldruck) 87 dB(A),
- L<sub>WA</sub> (Schallleistung) 98 dB(A),
- L<sub>WA</sub> (garantiert) 105 dB(A),

gewichtete Hand-Arm-Vibration: 2,6 m/s<sup>2</sup>

Kevin Hewitt  
 Director of Consumer Engineering  
 Spennymoor, County Durham DL16 6JG,  
 Vereinigtes Königreich  
 1-5-2005

Für den Astschneider Alligator™ wurden in Europa, den Vereinigten Staaten und in anderen Ländern weltweit Patentschutz sowie Geschmacksmusterschutz beantragt. ALLIGATOR ist eine Marke von The Black & Decker Corporation.

## Garantie

Black & Decker vertraut auf die Qualität der eigenen Geräte und bietet dem Käufer eine außergewöhnliche Garantie. Diese Garantiezusage versteht sich unbeschadet der gesetzlichen Gewährleistungsansprüche und schränkt diese keinesfalls ein. Sie gilt in sämtlichen Mitgliedsstaaten der Europäischen Union und der Europäischen Freihandelszone EFTA.

Tritt innerhalb von 24 Monaten ab Kaufdatum an einem Gerät von Black & Decker ein auf Material- oder Verarbeitungsfehler zurückzuführender Mangel auf, garantiert Black & Decker den Austausch defekter Teile, die Reparatur von Geräten mit üblichem Verschleiß bzw. den Austausch eines mangelhaften Gerätes, ohne den Kunden dabei mehr als unbedingt nötig in Anspruch zu nehmen, allerdings vorbehaltlich folgender Ausnahmen:

- ◆ wenn das Gerät gewerblich, beruflich oder im Verleihgeschäft benutzt wurde;
- ◆ wenn das Gerät missbräuchlich verwendet oder mit mangelnder Sorgfalt behandelt wurde;
- ◆ wenn das Gerät durch irgendwelche Fremdeinwirkung beschädigt wurde;
- ◆ wenn ein unbefugter Reparaturversuch durch anderes Personal als das einer Vertragswerkstatt oder des Black & Decker Kundendienstes unternommen wurde.

Zur Inanspruchnahme dieser Garantie ist dem Verkäufer bzw. der Vertragswerkstatt ein Kaufnachweis vorzulegen. Die Adresse der zuständigen Niederlassung von Black & Decker steht in dieser Anleitung. Die Niederlassung teilt Ihnen gerne die nächstgelegene Vertragswerkstatt mit. Außerdem ist eine Liste der Vertragswerkstätten und aller Kundendienststellen von Black & Decker sowie der zuständigen Ansprechpartner im Internet zu finden unter:

**[www.2helpU.com](http://www.2helpU.com)**.

Bitte besuchen Sie unsere Webseite

**[www.blackanddecker.de](http://www.blackanddecker.de)**, um Ihr neues Black & Decker Produkt zu registrieren und über neue Produkte und Sonderangebote informiert zu werden. Weitere Informationen über die Marke Black & Decker und unsere Produkte finden Sie unter **[www.blackanddecker.de](http://www.blackanddecker.de)**.

## Utilisation prévue

L'outil Alligator™ Lopper de Black & Decker est conçu pour la taille d'arbres, la découpe de branches gisantes et le débitage de petites bûches de 25 mm à 100 mm de diamètre avec un opérateur debout au sol. Cet outil a été conçu pour une utilisation exclusivement domestique.

## Consignes générales de sécurité

**Attention !** Lisez toutes les instructions. Le non-respect des instructions indiquées ci-dessous peut entraîner une électrocution, un incendie et/ou de graves blessures. La notion d'« outil électroportatif » mentionnée par la suite se rapporte à des outils électriques raccordés au secteur (avec câble de raccordement) ou fonctionnant sur piles (sans fil). **GARDEZ PRÉCIEUSEMENT CES CONSIGNES DE SÉCURITÉ.**

1. **Aire de travail**
  - a. **Maintenez la zone de travail propre et bien éclairée.** Un lieu de travail en désordre ou mal éclairé augmente le risque d'accidents.
  - b. **N'utilisez pas les outils électroportatifs dans un environnement présentant des risques d'explosion ni en présence de liquides, gaz ou poussières inflammables.** Les outils électroportatifs génèrent des étincelles risquant d'enflammer les poussières ou les vapeurs.
  - c. **Tenez les enfants et autres personnes éloignés durant l'utilisation de l'outil électroportatif.** En cas d'inattention, vous risquez de perdre le contrôle sur l'appareil.
2. **Sécurité électrique**
  - a. **La fiche de secteur de l'outil électroportatif doit convenir à la prise de courant. Ne modifiez en aucun cas la fiche. N'utilisez pas de fiches d'adaptateur avec des appareils ayant une prise de terre.** Les fiches non modifiées et les prises de courant appropriées réduisent le risque de choc électrique.
  - b. **Évitez le contact physique avec des surfaces mises à la terre telles que tuyaux, radiateurs, fours et réfrigérateurs.** Il y a un risque élevé de choc électrique si votre corps est relié à la terre.
  - c. **N'exposez pas l'outil électroportatif à la pluie ni à l'humidité.** La pénétration d'eau dans un outil électroportatif augmente le risque de choc électrique.
  - d. **Préservez le câble d'alimentation. N'utilisez pas le câble à d'autres fins que celles prévues, n'utilisez pas le câble pour porter l'outil, pour l'accrocher ou encore pour le débrancher de la prise de courant. Maintenez le câble éloigné des sources de chaleurs, des parties grasses, des bords tranchants ou des parties de l'appareil en rotation.** Un câble endommagé ou enchevêtré augmente le risque de choc électrique.
- e. **Si vous utilisez l'outil électroportatif à l'extérieur, utilisez une rallonge homologuée pour utilisation à l'air libre.** L'utilisation d'une rallonge électrique homologuée pour les applications extérieures réduit le risque de choc électrique.
3. **Sécurité personnelle**
  - a. **Restez vigilant, surveillez ce que vous faites. Faites preuve de bon sens quand vous utilisez l'outil électroportatif. N'utilisez pas l'outil lorsque vous êtes fatigué ou après avoir consommé de l'alcool, des drogues ou avoir pris des médicaments.** Un moment d'inattention lors de l'utilisation de l'outil peut entraîner de graves blessures.
  - b. **Portez des équipements de protection. Portez toujours des lunettes de protection.** Le port d'équipements de protection personnelle tels que masque anti-poussières, chaussures de sécurité antidérapantes, casque ou protection auditive, selon le travail à effectuer, réduit le risque de blessures.
  - c. **Évitez une mise en route accidentelle. Avant de brancher l'appareil, vérifiez que l'interrupteur est sur la position arrêt.** Le transport ou le branchement d'outils électroportatifs avec l'interrupteur en position marche est une invite à l'accident.
  - d. **Enlevez tout outil ou clé de réglage avant de mettre l'appareil en marche.** Une clé ou un outil se trouvant sur une partie en rotation peut causer des blessures.
  - e. **Adoptez une position confortable. Adoptez une position stable et gardez votre équilibre à tout moment.** Vous contrôlerez mieux l'outil dans des situations inattendues.
  - f. **Portez des vêtements appropriés. Ne pas porter de vêtements flottants ni de bijoux. N'approchez pas les cheveux, vêtements ou gants des parties de l'appareil en rotation.** Les vêtements amples, les bijoux ou les cheveux longs peuvent être attrapés dans les pièces en mouvement.
  - g. **Si des dispositifs servant à aspirer ou à recueillir les poussières doivent être utilisés, vérifiez qu'ils sont correctement raccordés et utilisés.** L'utilisation de tels dispositifs réduit les dangers dus aux poussières.
4. **Utilisation des outils électroportatifs et précautions**
  - a. **Ne surchargez pas l'outil. Utilisez l'outil électroportatif approprié pour le travail à effectuer.** Avec l'outil électroportatif approprié, vous travaillerez mieux et avec plus de sécurité à la vitesse pour laquelle il a été conçu.

- b. N'utilisez pas un outil électroportatif dont l'interrupteur est défectueux.** Un outil électroportatif qui ne peut plus être mis en ou hors fonctionnement est dangereux et doit être réparé.
- c. Retirez la fiche de la prise de courant avant d'effectuer des réglages sur l'outil, de changer les accessoires ou de ranger l'appareil.** Cette mesure de précaution empêche une mise en marche par mégarde.
- d. Rangez les outils électroportatifs hors de portée des enfants. Ne laissez pas les personnes n'étant pas familiarisées avec l'outil ou n'ayant pas lu ces instructions l'utiliser.** Les outils électroportatifs sont dangereux lorsqu'ils sont utilisés par des personnes non initiées.
- e. Prenez soin des outils électroportatifs. Vérifiez que les parties en mouvement fonctionnent correctement et qu'elles ne sont pas coincées ; vérifiez qu'il n'y a pas de pièces cassées ou endommagées susceptibles de nuire au bon fonctionnement de l'outil. S'il est endommagé, faites réparer l'outil avant de l'utiliser.** De nombreux accidents sont dus à des outils électroportatifs mal entretenus.
- f. Maintenez les outils de coupe aiguisés et propres.** Des outils soigneusement entretenus avec des bords tranchants bien aiguisés se coincent moins souvent et peuvent être guidés plus facilement.
- g. Utilisez les outils électroportatifs, les accessoires, les outils à monter, etc. conformément à ces instructions et aux prescriptions en vigueur pour ce type d'outils. Tenez compte également des conditions de travail et du travail à effectuer.** L'utilisation des outils électroportatifs à d'autres fins que celles prévues peut entraîner des situations dangereuses.
- 5. Réparations**
- a. Faites réparer votre outil électroportatif uniquement par du personnel qualifié et seulement avec des pièces de rechange d'origine.** Cela garantira le maintien de la sécurité de votre outil.
- Instructions de sécurité supplémentaires pour l'Alligator™ Lopper**
- Attention !** N'utilisez jamais l'outil au-dessus du niveau des épaules. Veillez à ne pas vous placer sur la trajectoire de chute des branches et débris.
- Attention !** N'utilisez pas cet outil pour abattre des arbres.
- ◆ N'approchez jamais aucune partie de votre corps ni vos vêtements de la chaîne coupante. Tenez l'outil devant vous et faites attention à la position de la chaîne coupante, tout particulièrement lorsque vous coupez des branches près du sol. Avant de démarrer, assurez-vous que la chaîne coupante n'est pas au contact de quoi que ce soit.
  - ◆ Prévoyez une issue en cas de chute de branches et de débris. Assurez-vous que cette issue ne contient pas d'obstacles risquant d'empêcher ou de gêner vos déplacements. N'oubliez pas que l'herbe mouillée et l'écorce fraîchement coupée sont glissantes.
  - ◆ Anticipez la direction dans laquelle une branche risque de tomber. Tenez compte de toutes les conditions pouvant affecter la direction de la chute, notamment :
    - La direction de chute souhaitée.
    - L'inclinaison naturelle de la branche.
    - Toute carie ou défaut important de la structure d'une branche maîtresse.
    - Les arbres environnants et les obstacles, en particulier les lignes aériennes.
    - La vitesse et la direction du vent.
  - ◆ La distance de sécurité entre une branche à couper ou à débiter et les personnes, bâtiments ou autres objets se trouvant à proximité doit être au moins égale à 2 1/2 fois la longueur de la branche. Les personnes, bâtiments ou objets se trouvant en deçà de cette distance risquent d'être heurtés par la branche tombante.
  - ◆ Lorsque vous coupez une branche maîtresse sous tension, prenez garde au retour élastique. Lorsque la tension dans les fibres de bois se relâche, la branche peut frapper l'opérateur et/ou lui faire perdre le contrôle de l'outil.
  - ◆ Portez toujours un équipement de sécurité approprié tel que des chaussures antidérapantes, un casque, des lunettes de sécurité, une protection auditive et des gants lorsque vous utilisez l'outil.
  - ◆ Assurez-vous qu'une personne se tenant à proximité (tout en respectant les distances de sécurité) peut vous porter secours rapidement en cas d'accident.
  - ◆ Ne vous placez pas dans un arbre, sur une échelle ou sur tout autre support instable pour utiliser l'outil.
  - ◆ Adoptez une position stable et gardez votre équilibre à tout moment.
  - ◆ Tenez fermement l'outil avec les deux mains lorsque le moteur est en marche.
  - ◆ Veillez à ce que les poignées soient sèches et propres, sans trace d'huile ou de graisse. Les poignées grasses sont glissantes et peuvent causer une perte de contrôle.
  - ◆ Lorsque la chaîne est en mouvement, ne la laissez pas toucher d'objet à l'extrémité du guide-chaîne.
  - ◆ Assurez-vous que la chaîne coupante est bien tendue. Vérifiez régulièrement la tension, moteur arrêté et câble d'alimentation débranché.
  - ◆ Ne commencez et continuez la coupe qu'avec une chaîne à pleine vitesse.
  - ◆ Faites attention aux branches en mouvement ou aux autres forces qui pourraient refermer une entaille et pincer ou entraver la chaîne.

- ◆ Soyez extrêmement prudent lorsque vous réinsérez la chaîne dans une entaille déjà entamée. Introduisez les dents de la mâchoire inférieure dans le bois et laissez la chaîne atteindre sa pleine vitesse avant de commencer à couper.
- ◆ Une utilisation non conforme de cet outil peut créer des situations dangereuses. Ne coupez que du bois. N'utilisez pas cet outil pour d'autres opérations que celles prescrites ; par exemple, ne l'utilisez pas pour couper du plastique ou des matériaux de construction autres que le bois.
- ◆ Si un débris se bloque dans l'habillage ou l'outil, arrêtez l'outil, débranchez le câble d'alimentation et retirez les débris.
- ◆ Remplacez toute chaîne ou guide-chaîne usé.
- ◆ N'utilisez que des pièces de remplacement prescrites par le fabricant.

Votre outil est marqué des symboles suivants :



Reportez-vous au manuel d'utilisation.



N'exposez pas votre tronçonneuse à la pluie ni à l'humidité.



Portez toujours casque, lunettes et protection auditive.



Attention à la chute d'objets.

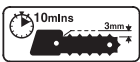
Ne laissez personne s'approcher.



N'utilisez pas l'outil sur une échelle.



Ne jetez pas l'outil à la poubelle.



Vérifiez la tension de la chaîne toutes les 10 minutes. Réglez-la avec un jeu de 3 mm.



Graissez la chaîne toutes les 10 minutes.



Attention ! Ne touchez pas la chaîne au point d'éjection des copeaux (9).



Sens de rotation de la chaîne.



Débranchez immédiatement le câble du secteur s'il est endommagé ou coupé.

## Sécurité électrique



L'outil est doublement isolé ; par conséquent, aucun câble de masse n'est nécessaire. Vérifiez si le voltage mentionné sur la plaque signalétique de la machine correspond bien à la tension de réseau présente sur le lieu.

## Instructions de sécurité supplémentaires

- ◆ Cet appareil n'est pas destiné à être utilisé par des personnes jeunes ou déficientes sans surveillance. Pour éviter que les enfants jouent avec cet appareil, ne les laissez pas sans surveillance.
- ◆ Si le câble d'alimentation est endommagé, il doit être remplacé par le fabricant ou par un Centre de réparation agréé Black & Decker pour éviter tout risque.

## Risque résiduel

Malgré l'application des normes de sécurité correspondantes et la mise en œuvre de mesures de sécurité, certains risques résiduels sont inhérents à l'utilisation d'une tronçonneuse et ne peuvent pas être évités. Il s'agit :

- ◆ Des risques de blessure suite à un contact avec des pièces en mouvement, tranchantes ou brûlantes, à la chute de branches ou de débris sur l'opérateur, d'autres personnes ou matériels, ou à la projection de débris par l'outil.
- ◆ Des risques de blessure suite à une utilisation non conforme, à la chute d'une échelle ou d'un poste de travail dans l'arbre, à un câble endommagé, à une utilisation dans un lieu humide ou dangereux, à une utilisation par des enfants ou des personnes déficientes, à l'absence de protection ou au port de vêtements inappropriés, ou à l'inhalation des particules générées par la coupe du bois.

Les risques susmentionnés font l'objet d'une prévention par le biais d'avertissements dans les instructions de sécurité et/ou d'un marquage sur l'outil.

La valeur de vibration indiquée dans ce manuel correspond au test de la norme EN60745. L'opérateur ne doit pas être exposé à de fortes vibrations de façon prolongée. Les vibrations produites par cet outil sont inférieures à 5 m/s et aux limites définies dans la directive 2002/44/CE pour une utilisation continue sur une journée de 8 heures. Les conditions d'utilisation réelles peuvent modifier et éventuellement augmenter le niveau de vibrations par rapport à celui mesuré lors du test.

## Contenu

1. Burette d'huile
2. Clé
3. Manuel d'utilisation
4. Alligator™ Lopper

Les éléments ci-dessus font partie du minimum fourni.

## Vue d'ensemble

5. Interrupteur marche/arrêt
6. Mâchoire supérieure
7. Mâchoire inférieure
8. Guide-chaîne
9. Point d'éjection des copeaux
10. Couvreclé de graissage

## Réglage de la tension de la chaîne (figure A)

**Attention !** Avant le réglage de la chaîne ou d'autres éléments, assurez-vous que l'outil est arrêté et débranché.

**Attention !** Le guide-chaîne et la chaîne peuvent être chauds après utilisation. Laissez-les refroidir avant de procéder au réglage.

Le produit est fourni assemblé. Toutefois, nous vous recommandons de contrôler la tension de la chaîne et des écrous de fixation avant utilisation et, le cas échéant, d'effectuer les réglages nécessaires.

## Contrôle et réglage de la tension de la chaîne (figure A)

Pour tendre la chaîne, desserrez les deux écrous de fixation du capot (11) à l'aide de la clé (2) ; le tendeur de chaîne pousse le guide-chaîne pour obtenir la tension adéquate. Resserrez les deux écrous de fixation (11).

Vérifiez que la tension est correcte en tirant légèrement sur la chaîne. La tension est correcte si la chaîne se remet automatiquement en place lorsque vous l'éloignez de 3 mm du guide-chaîne. La chaîne ne doit pas pendre du côté inférieur.

**Remarque :** Veillez à ne pas surtendre la chaîne car cela entraînerait une usure excessive et réduirait la durée de vie du guide-chaîne et de la chaîne. Une autre conséquence négative serait la baisse de performance.

**Remarque :** Lors de la première utilisation et lorsque la chaîne est neuve, contrôlez fréquemment la tension car une chaîne neuve a tendance à se détendre légèrement.

## Remplacement de la chaîne et du guide-chaîne

Après une utilisation prolongée, la chaîne et/ou le guide-chaîne devront peut-être être remplacés. N'utilisez que des pièces de remplacement recommandées par Black & Decker.

## Démontage de la chaîne coupante et du guide-chaîne (figures A et B)

**Attention !** Portez toujours des gants de protection lors de l'installation ou du retrait de la chaîne coupante. Celle-ci est très affûtée et peut vous couper, même à l'arrêt.

**Attention !** Le guide-chaîne et la chaîne peuvent être chauds après utilisation. Laissez-les refroidir avant de procéder au remplacement.

- ◆ Placez l'outil sur une surface stable.
- ◆ Dévissez les deux écrous de fixation (11) avec la clé (2) fournie, puis retirez-les totalement.
- ◆ Retirez le panneau d'accès à la chaîne (12).
- ◆ Écartez les poignées, puis tirez la mâchoire supérieure (6) vers l'arrière.
- ◆ Tirez le guide-chaîne (8) vers l'arrière, puis retirez la chaîne coupante (9) de la rainure du guide-chaîne. La chaîne peut alors être retirée de l'outil.
- ◆ Faites alors basculer le guide-chaîne pour le retirer des boulons.

## Assemblage du guide-chaîne et de la chaîne (figures C et D)

**Attention !** Portez toujours des gants de protection lors de l'installation ou du retrait de la chaîne coupante. Celle-ci est très affûtée et peut vous couper, même à l'arrêt.

- ◆ Procédez sur une surface stable.
- ◆ Écartez les poignées, puis tirez la mâchoire supérieure (6) vers l'arrière.
- ◆ Insérez l'extrémité arrière du guide-chaîne (8) entre le tendeur de chaîne et le premier boulon, puis rabattez le guide-chaîne sur les boulons.
- ◆ Placez la chaîne (9) autour de la partie avant du guide-chaîne ; insérez-la dans le pignon de renvoi du guide-chaîne.
- ◆ Tirez le guide-chaîne et la chaîne vers l'arrière en maintenant cette dernière dans la rainure du guide-chaîne. Faites passer la chaîne au-dessus du pignon (14) en présentant les dents dans la bonne direction.
- ◆ Remplacez le panneau d'accès à la chaîne (12) et serrez bien les écrous de fixation (11).

## Utilisation

**Attention !** Laissez l'outil fonctionner à sa propre vitesse. Ne le surchargez pas.

- ◆ Nettoyez régulièrement l'unité conformément aux instructions de la section relative à l'entretien. Prêtez une attention particulière au nettoyage de la face intérieure du panneau d'accès à la chaîne.

- ◆ Les mâchoires inférieure (7) et supérieure (6) sont conçues pour se fermer lorsque l'une des poignées est relâchée ou lorsque la branche à sectionner est coupée. Si elles ne se referment pas, cessez d'utiliser l'outil et débranchez-le. Vérifiez l'éventuelle présence de débris pouvant entraver leurs mouvements. Pour faciliter cette opération, vous pouvez avoir à retirer le panneau d'accès à la chaîne (12). Si le problème persiste après le réassemblage, retournez l'outil à un centre de réparation agréé.

### Graissage (figure E)

- ◆ Avant la première utilisation, puis toutes les dix minutes d'utilisation, lubrifiez la chaîne à l'aide de la graisse appropriée. (Cat. n° A6027) Ouvrez le couvercle de graissage (10) et insérez la burette dans l'orifice d'approvisionnement (15). Pressez la burette pour envoyer une dose de lubrifiant.
- ◆ Cette dose doit suffire pour environ 10 minutes de coupe, en fonction de la vitesse de coupe et du type de bois.
- ◆ L'orifice achemine le lubrifiant vers la chaîne, sur le guide-chaîne. Par conséquent, tout trop plein peut se déverser autour des mâchoires. Cela est tout à fait normal et ne présente aucun risque.

### Démarrage et arrêt

**Attention !** N'essayez jamais de bloquer ou de fixer l'interrupteur en position marche.

Pour votre sécurité, cet outil est équipé d'interrupteurs doubles permettant de prévenir tout démarrage accidentel.

### Démarrage (figure F)

Tenez fermement les poignées, puis appuyez sur les deux interrupteurs pour démarrer l'outil.

### Arrêt (figure F)

Relâchez l'un des interrupteurs.

**Remarque :** Les deux interrupteurs doivent être activés simultanément pour permettre l'utilisation de l'appareil.

Ne surchargez pas l'outil. Laissez-le fonctionner normalement. Il sera plus efficace et garantira une meilleure sécurité en fonctionnant à la vitesse pour laquelle il est conçu. Vous risquez de détendre la chaîne en forçant sur l'appareil.

En cas de blocage de la chaîne coupante ou du guide-chaîne :

- ◆ Arrêtez l'outil.
- ◆ Débranchez-le du secteur.
- ◆ Écartez l'entaille à l'aide de coins pour libérer le guide-chaîne. N'essayez pas de dégager l'outil par la force. Recommencez la coupe à un nouvel emplacement.

### Taille des branches (figure G)

Assurez-vous que la législation ou les réglementations locales n'interdisent ou ne limitent pas l'élagage.

- ◆ Assurez-vous que l'outil fonctionne à pleine vitesse avant de commencer une coupe.
- ◆ Maintenez fermement l'outil afin d'éviter tout effet de retour ou mouvement latéral.
- ◆ Guidez l'outil par pressions légères.
- ◆ Coupez toujours de haut en bas. Cela permet d'éviter le pincement de la chaîne coupante.
- ◆ Débitez les branches comme illustré à la figure G, par petites sections depuis l'extrémité de la branche.
- ◆ Retirez l'outil de l'entaille pendant qu'il fonctionne à pleine vitesse.

### Entretien

Votre outil Black & Decker a été conçu pour fonctionner pendant longtemps avec un minimum d'entretien. Un fonctionnement continu satisfaisant dépend d'un nettoyage régulier et d'un entretien approprié de l'outil.

**Attention !** Avant de procéder à l'entretien ou au nettoyage de l'outil, débranchez-le du secteur.

### Nettoyage

- ◆ Retirez régulièrement le panneau d'accès à la chaîne et éliminez tout débris.
- ◆ Nettoyez régulièrement les orifices de ventilation à l'aide d'une brosse sèche et propre.
- ◆ Pour nettoyer l'outil, utilisez exclusivement du savon doux et un chiffon humide. Évitez toute pénétration de liquide dans l'outil et ne plongez aucune pièce dans du liquide.

### Graissage

- ◆ Graissez régulièrement les points de graissage (15), comme illustré à la figure B.

### Transport

- ◆ Transportez toujours l'outil avec les mâchoires en position fermée.

### Stockage

- ◆ Lorsque l'outil n'est pas utilisé pendant plusieurs mois, appliquez une fine couche d'huile sur les éléments métalliques.
- ◆ Rangez-le en lieu sûr et à l'abri de l'humidité. La température de stockage doit toujours être comprise entre +5 °C et +40 °C. Placez l'outil sur une surface plane, en lieu sûr.

## Protection de l'environnement



Si vous pensez un jour que votre outil doit être remplacé ou que vous n'en avez plus l'usage, songez à la protection de l'environnement. Les réparateurs agréés Black & Decker acceptent la collecte d'anciens outils Black & Decker et veilleront à ce que leur mise au rebut ne porte pas atteinte à l'environnement.



La collecte séparée des produits et des emballages usagés permet de recycler et de réutiliser des matériaux. La réutilisation de matériaux recyclés évite la pollution de l'environnement et réduit la demande de matières premières.

Des réglementations locales peuvent stipuler la collecte séparée des produits électriques et des produits ménagers, dans des déchetteries municipales ou par le revendeur lorsque vous achetez un nouveau produit.

Black & Decker fournit un dispositif permettant de recycler les produits Black & Decker lorsqu'ils ont atteint la fin de leur cycle de vie. Pour pouvoir profiter de ce service, veuillez retourner votre produit à un réparateur agréé qui se chargera de le collecter pour nous.

Pour connaître l'adresse du réparateur agréé le plus proche de chez vous, contactez le bureau Black & Decker à l'adresse indiquée dans ce manuel. Vous pourrez aussi trouver une liste de réparateurs agréés de Black & Decker et de plus amples détails sur notre service après-vente sur le site Internet à l'adresse suivante : [www.2helpU.com](http://www.2helpU.com).

### Caractéristiques techniques

		GK1000	GK1050
Tension	$V_{CA}$	230	230
Puissance absorbée	W	550	600
Vitesse de la chaîne (sans charge)	m/s	2,3	2,3
Diamètre maximal de coupe	mm	100	100
Poids	kg	3	3

## Déclaration de conformité CE

GK1000/GK1050

Black & Decker déclare que ces produits sont conformes à : 98/37/CE, 89/336/CEE, EN 60745, EN 55014, EN61000, EN60335, 2000/14/CE, Tronçonneuse  $\leq 600$  W, Annexe V Pression sonore garantie, mesurée d'après la directive 2000/14/CE :

$L_{pA}$  (pression sonore) 87 dB(A),

$L_{WA}$  (puissance acoustique) 98 dB(A),

$L_{WA}$  (garantie) 105 dB(A),

vibration pondérée sur la main/le bras : 2,6 m/s<sup>2</sup>

Kevin Hewitt  
Directeur Ingénierie Client  
Spennymoor, County Durham DL16 6JG,  
Royaume-Uni  
1-5-2005

L'Alligator™ Lopper est d'une conception brevetée et protégée en Europe, aux États-Unis et dans d'autres pays. ALLIGATOR est une marque de The Black & Decker Corporation.



## Garantie

Black & Decker est confiant dans la qualité de ses produits et vous offre une garantie très étendue. Ce certificat de garantie est un document supplémentaire et ne peut en aucun cas se substituer à vos droits légaux. La garantie est valable sur tout le territoire des États Membres de l'Union Européenne et de la Zone de Libre Échange Européenne.

Si un produit Black & Decker s'avère défectueux en raison de matériaux en mauvaises conditions, d'une erreur humaine, ou d'un manque de conformité dans les 24 mois suivant la date d'achat, Black & Decker garantit le remplacement des pièces défectueuses, la réparation des produits usés ou cassés ou remplace ces produits à la convenance du client, sauf dans les circonstances suivantes :

- ◆ Le produit a été utilisé dans un but commercial, professionnel, ou a été loué.
- ◆ Le produit a été mal utilisé ou avec négligence.
- ◆ Le produit a subi des dommages à cause d'objets étrangers, de substances ou ou d'accidents.
- ◆ Des réparations ont été tentées par des techniciens ne faisant pas partie du service technique de Black & Decker.

Pour avoir recours à la garantie, il est nécessaire de fournir une preuve d'achat au vendeur ou à un réparateur agréé.

Pour connaître l'adresse du réparateur agréé le plus proche de chez vous, contactez le bureau Black & Decker à l'adresse indiquée dans ce manuel. Vous pourrez aussi trouver une liste de réparateurs agréés de Black & Decker et de plus amples détails sur notre service après-vente sur Internet à l'adresse suivante : **[www.2helpU.com](http://www.2helpU.com)**.

Visitez notre site Web **[www.blackanddecker.fr](http://www.blackanddecker.fr)** pour enregistrer votre nouveau produit Black & Decker et être informé des nouveaux produits et des offres spéciales. Pour plus d'informations concernant la marque Black & Decker et notre gamme de produits, consultez notre site **[www.blackanddecker.fr](http://www.blackanddecker.fr)**.

## Uso previsto

Il potatore Black & Decker Alligator™ è concepito per il taglio di rami dagli alberi, di rami caduti a terra e di piccoli tronchi di diametro compreso tra i 25 e i 100 mm, con l'operatore in piedi a terra. L'elettrotensile non è destinato all'utilizzo professionale.

## Norme generiche di sicurezza

**Attenzione!** Leggere tutte le istruzioni. La mancata osservazione delle presenti istruzioni potrebbe causare scosse elettriche, incendi e/o infortuni gravi. Il termine "elettrotensile" che ricorre in tutte le avvertenze seguenti si riferisce ad utensili elettrici con o senza filo. CONSERVARE QUESTE ISTRUZIONI.

### 1. Area di lavoro

- a. **Mantenere pulita e bene illuminata l'area di lavoro.** Il disordine e la scarsa illuminazione possono causare incidenti.
- b. **Evitare d'impiegare gli elettrotensili in ambienti esposti al rischio di esplosione, ad esempio in presenza di liquidi, gas o polveri infiammabili.** Gli elettrotensili producono scintille che possono far infiammare la polvere o i fumi.
- c. **Mantenere lontani bambini e osservatori mentre si usa l'elettrotensile.** Eventuali distrazioni possono comportare la perdita del controllo dell'elettrotensile.

### 2. Sicurezza elettrica

- a. **La spina elettrica deve essere adatta alla presa. Evitare assolutamente di alterare la spina. Non impiegare spine adattatrici con elettrotensili provvisti di messa a terra.** L'uso di spine inalterate e delle prese corrispondenti riduce il rischio di scosse elettriche.
- b. **Evitare il contatto fisico con superfici collegate a terra, come tubi, radiatori, forni e frigoriferi:** un corpo collegato a massa è esposto maggiormente al rischio di scosse elettriche.
- c. **Custodire gli elettrotensili al riparo dalla pioggia o dall'umidità.** L'eventuale infiltrazione di acqua in un elettrotensile va ad aumentare il rischio di scosse elettriche.
- d. **Non esporre il cavo a sollecitazioni. Non usare il cavo per trasportare o trainare l'elettrotensile e non tirarlo per estrarre la spina dalla presa di corrente. Mantenere il cavo al riparo dal calore, da bordi taglienti e/o da parti in movimento.** I cavi danneggiati o aggrovigliati aumentano il rischio di scosse elettriche.
- e. **Se l'elettrotensile viene adoperato all'aperto, usare esclusivamente prolunghie omologate per l'impiego all'esterno.** Un cavo adatto per uso esterno riduce il rischio di scosse elettriche.

### 3. Sicurezza delle persone

- a. **È importante concentrarsi su ciò che si sta facendo e maneggiare con giudizio l'elettrotensile. Non adoperare l'elettrotensile se si è stanchi o sotto l'effetto di stupefacenti, alcol o medicinali:** un attimo di distrazione può causare gravi infortuni personali.
- b. **Indossare sempre un equipaggiamento protettivo. Indossare sempre degli occhiali di sicurezza.** Se si avrà cura d'indossare l'equipaggiamento protettivo come necessario (ad esempio una maschera antipolvere, delle calzature antiscivolo, un casco o delle otoprotezioni) si riduce il rischio di infortuni.
- c. **Evitare l'accensione involontaria dell'elettrotensile. Prima d'inserire la spina nella presa, controllare che l'interruttore sia su Off.** Per non esporsi al rischio d'incidenti, non trasportare gli elettrotensili tenendo le dita sull'interruttore oppure, se sono collegati all'alimentazione, con l'interruttore di accensione su On.
- d. **Prima di accendere un elettrotensile, togliere eventuali chiavi o attrezzi di regolazione.** Un utensile o una chiave inglese lasciati in un componente mobile dell'elettrotensile potranno causare lesioni.
- e. **Non sporgersi. Mantenere sempre un buon equilibrio evitando posizioni malsicure.** In questo modo è possibile controllare meglio l'elettrotensile in situazioni inaspettate.
- f. **Vestirsi adeguatamente. Evitare di indossare indumenti larghi o gioielli. Tenere capelli, vestiti e guanti lontani da pezzi in movimento.** Vestiti larghi, gioielli o capelli lunghi potranno impigliarsi nei componenti in movimento.
- g. **Se gli utensili sono provvisti di attacchi per la connessione di dispositivi di aspirazione o raccolta della polvere, assicurarsi che questi siano installati e utilizzati correttamente.** L'impiego dei suddetti dispositivi diminuisce i rischi correlati alle polveri.
4. **Uso e cura degli elettrotensili**
  - a. **Non sovraccaricare l'elettrotensile. Usare l'elettrotensile adatto per il lavoro da eseguire.** Utilizzando l'elettrotensile adatto si potrà lavorare meglio e con maggiore sicurezza alla potenza nominale prevista.
  - b. **Non utilizzare elettrotensili con interruttori difettosi.** Un elettrotensile che non può essere controllato mediante l'interruttore è pericoloso e deve essere riparato.
  - c. **Estrarre la spina dalla presa di corrente prima di regolare l'elettrotensile, di sostituire gli accessori o di riporre l'elettrotensile.** Queste precauzioni di sicurezza riducono le possibilità che l'elettrotensile venga messo in funzione inavvertitamente.

- d. Quando non vengono usati, gli elettroutensili vanno custoditi fuori della portata dei bambini. Non consentire l'uso dell'elettroutensile a persone inesperte o che non abbiano letto le presenti istruzioni, onde evitare pericoli.**
- e. Sottoporre gli elettroutensili alle procedure di manutenzione del caso. Verificare che le parti mobili siano bene allineate e non s'incepino, che non ci siano componenti rotti e/o non sussistano altre condizioni che possano compromettere il funzionamento dell'elettroutensile. Eventuali guasti vanno riparati prima dell'uso.** La scarsa manutenzione causa molti incidenti.
- f. Mantenere affilati e puliti gli strumenti da taglio.** Se sottoposti alla giusta manutenzione, gli strumenti da taglio con taglienti affilati s'incepiscono meno frequentemente e sono più facili da manovrare.
- g. Utilizzare l'elettroutensile, gli accessori, le punte ecc. in conformità delle presenti istruzioni e secondo la specifica destinazione prevista, tenendo conto delle condizioni di lavoro e del lavoro da completare.**  
L'impiego degli elettroutensili per usi diversi da quelli consentiti può dar luogo a situazioni di pericolo.
- 5. Riparazioni**
- a. Fare riparare l'elettroutensile solo ed esclusivamente da personale specializzato e solo impiegando pezzi di ricambio originali,** onde non alterare la sicurezza dell'elettroutensile.
- Ulteriori precauzioni di sicurezza per il potatore Alligator™**
- Attenzione!** Non utilizzare mai l'elettroutensile al di sopra dell'altezza delle spalle. L'operatore deve sempre posizionarsi al riparo dalla caduta dei rami e dei frammenti di legno.
- Attenzione!** Non utilizzare l'elettroutensile per abbattere alberi.
- ◆ Mantenere sempre lontani dalla catena della sega tutte le parti del corpo e gli abiti. Tenere l'elettroutensile davanti a sé e controllare la posizione della motosega per potatura, in particolare per il taglio di rami vicini al suolo. Prima di accendere l'elettroutensile, assicurarsi che la catena della sega non sia a contatto con alcun elemento.
  - ◆ Pianificare in anticipo una via di fuga sicura per evitare la caduta di rami e frammenti di legno. Assicurarsi che il percorso di fuga sia libero da ostacoli che possano impedire o intralciare il movimento. Ricordare che l'erba umida e la corteccia appena tagliata sono scivolose.
  - ◆ Essere consapevoli della direzione in cui un ramo può cadere. Tenere conto di tutto ciò che può influire sulla direzione di caduta, tra cui:
    - la direzione di caduta desiderata
    - l'inclinazione naturale del ramo
    - l'eventuale peso inusuale del ramo e la possibilità che questo sia secco o marcio
    - gli alberi e gli ostacoli circostanti, comprese le linee elettriche aeree
    - la velocità e direzione del vento.
  - ◆ La distanza di sicurezza tra un ramo da abbattere e gli osservatori, eventuali edifici e altri oggetti, è pari ad almeno due volte e mezza la lunghezza del ramo stesso. Eventuali osservatori, edifici o oggetti entro tale distanza rischiano di essere colpiti dal ramo in caduta.
  - ◆ Se si taglia un ramo sotto tensione, prestare attenzione all'effetto "molla". Quando la tensione nelle fibre del legno viene rilasciata, il ramo caricato come una molla può colpire l'operatore e/o fargli perdere il controllo dell'elettroutensile.
  - ◆ Indossare sempre un adeguato equipaggiamento di sicurezza, come scarpe di sicurezza antiscivolo, casco, occhiali di protezione, otoprotezioni e guanti quando si utilizza l'elettroutensile.
  - ◆ Accertarsi che sia presente un'altra persona (a distanza di sicurezza) in caso di incidente.
  - ◆ Non tentare di utilizzare l'elettroutensile stando in equilibrio sull'albero, su una scala o su qualsiasi altro supporto instabile.
  - ◆ Mantenere sempre un buon equilibrio evitando posizioni malsicure.
  - ◆ Tenere saldamente l'elettroutensile con ambedue le mani quando il motore è in funzione.
  - ◆ Mantenere le maniglie asciutte, pulite ed esenti da olio o grasso. La presenza di olio sulle maniglie può causarne lo scivolamento e la perdita di controllo dell'elettroutensile.
  - ◆ Prestare attenzione che la catena in movimento non tocchi alcun oggetto in prossimità della punta della barra di guida.
  - ◆ Mantenere la catena della sega correttamente tesa. Controllare la tensione a intervalli regolari, con il motore fermo e il cavo di alimentazione scollegato.
  - ◆ Iniziare e continuare un taglio solo con la catena alla massima velocità.
  - ◆ Prestare attenzione allo spostamento di rami e ad altre forze che possono chiudere il taglio e bloccare o rallentare la catena.
  - ◆ Utilizzare estrema cautela quando si reinserisce la sega in un taglio precedentemente iniziato. Inserire i denti sulla ganascia inferiore della lama nel legno e attendere che la catena raggiunga la piena velocità prima di procedere con il taglio.

- ◆ L'impiego dell'elettrotensile per usi diversi da quelli consentiti può dar luogo a situazioni di pericolo. Tagliare solo il legno. Non utilizzare l'elettrotensile per scopi non previsti: ad esempio per tagliare plastica, muratura o materiali da costruzione non legnosi.
- ◆ In caso di penetrazione di frammenti all'interno della protezione o dell'elettrotensile, interromperne il funzionamento, scollegare il cavo di alimentazione e rimuovere i frammenti.
- ◆ Sostituire le catene e le barre di guida usurate.
- ◆ Utilizzare solamente le barre e le catene di ricambio indicate dal produttore.

Sull'elettrotensile sono presenti i seguenti simboli di avvertimento.



Leggere la guida all'uso.



Non utilizzare la sega in presenza di forte umidità o sotto la pioggia.



Indossare sempre protezioni per la testa, per l'udito e per la vista.



Fare attenzione alla caduta di oggetti.



Mantenere distanti eventuali osservatori.



Non utilizzare l'elettrotensile stando in piedi su una scala.



Non gettare il prodotto tra i normali rifiuti.



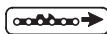
Controllare la tensione della catena ogni 10 minuti di utilizzo. Regolare per una tolleranza massima di 3 mm.



Lubrificare la catena ogni 10 minuti di utilizzo.



Attenzione: non toccare la catena in prossimità del punto di espulsione dei trucioli (9).



Direzione di scorrimento della catena.



Scollegare immediatamente il cavo dalla rete di alimentazione se danneggiato o tagliato.

## Sicurezza elettrica



Il doppio isolamento di cui è provvisto l'elettrotensile rende superfluo il filo di terra. Controllare sempre che l'alimentazione corrisponda alla tensione indicata sulla targhetta delle caratteristiche.

## Ulteriori precauzioni di sicurezza

- ◆ L'utilizzo di questo elettrotensile non è destinato a ragazzi o persone inferme senza supervisione. Controllare che i bambini non giochino con l'elettrotensile.
- ◆ In caso di danneggiamento del cavo di alimentazione, è necessario farlo riparare dal fabbricante o presso un centro assistenza Black & Decker autorizzato in modo da evitare eventuali pericoli.

## Rischio residuo

Malgrado l'applicazione dei regolamenti di sicurezza inerenti e la messa in opera di misure di sicurezza, determinati rischi residui sono connaturati all'utilizzo di seghe per il taglio del legno e non possono essere evitati. Tali rischi sono elencati di seguito.

- ◆ Pericolo di lesioni dovute a contatto con parti in movimento, parti affilate, parti surriscaldate, caduta di rami o frammenti sull'operatore, sugli osservatori o sugli oggetti, proiezione di frammenti da parte dell'elettrotensile.
- ◆ Pericolo di lesioni dovute a utilizzo non previsto, caduta da scale o posizioni di lavoro su un albero, danni al cavo di alimentazione, utilizzo dell'elettrotensile in ubicazioni soggette a umidità o altrimenti pericolose, mancato utilizzo di protezioni personali o abbigliamento adeguato, inalazione della polvere generata dal taglio del legno.

In relazione ai rischi summenzionati sono stati inseriti avvertimenti nelle istruzioni di sicurezza e/o contrassegni applicati all'elettrotensile.

Il valore di vibrazione riportato nella presente guida all'uso è conforme alla prova standard EN60745. L'operatore non deve essere esposto a livelli elevati di vibrazioni per periodi di tempo prolungati. L'emissione di vibrazioni da parte dell'elettrotensile è inferiore a 5 m/s e rientra nei limiti definiti dalla normativa 2002/44/CE per il funzionamento continuo in una giornata lavorativa di 8 ore. Le effettive condizioni di funzionamento possono variare o aumentare il livello delle vibrazioni rispetto al valore registrato durante la prova standard.

## Contenuto

1. Flacone di olio
2. Chiave
3. Guida all'uso
4. Potatore Alligator™

Quanto elencato è la fornitura minima.

## Panoramica

5. Attuatori-interruttori acceso/spento
6. Ganascia superiore
7. Ganascia inferiore
8. Barra di guida della catena
9. Punto di espulsione dei frammenti di legno tagliato
10. Coperchio di lubrificazione

## Regolazione della tensione della catena (fig. A)

**Attenzione!** Prima di eseguire la regolazione della catena o altre regolazioni, assicurarsi che l'elettrotensile sia spento e scollegato dall'alimentazione.

**Attenzione!** La barra di guida e la catena possono surriscaldarsi durante l'utilizzo. Prima di effettuare la regolazione, attendere che la catena e la barra si raffreddino. Il prodotto viene fornito montato e pronto. Si raccomanda comunque di controllare la tensione della catena e i dadi di ritegno della stessa prima dell'utilizzo e, se necessario, di apportare le dovute correzioni.

## Controllo e regolazione della tensione della catena (fig. A)

Per tendere la catena, allentare i due dadi di ritegno del carter (11) con la chiave (2); il tendicatena spingerà la barra verso l'esterno impostando la corretta tensione. Serrare nuovamente a fondo i due dadi di ritegno (11).

Controllare la corretta tensione tirando leggermente la catena. La tensione è corretta se la catena scatta all'indietro una volta allontanata di 3 mm dalla barra di guida. Non deve esistere "gioco" tra la barra di guida e la catena sul lato inferiore.

**Nota:** non tendere eccessivamente la catena: ciò causa un logorio eccessivo e abbrevia la vita della barra di guida e della catena stessa. Un'eccessiva tensione della catena riduce inoltre le prestazioni del prodotto.

**Nota:** al primo utilizzo e comunque quando la catena è nuova, controllarne la tensione frequentemente: le catene nuove "cedono" leggermente.

## Sostituzione della catena e della barra di guida

Dopo un utilizzo prolungato, potrebbe essere necessario sostituire la catena e/o la barra di guida. Utilizzare solo parti di ricambio raccomandate da Black & Decker.

## Rimozione della catena della sega e della barra di guida (figg. A e B)

**Attenzione!** Indossare sempre guanti di protezione per l'installazione e la rimozione della catena della sega. La motosega per potatura è affilata e può causare ferite da taglio anche da ferma.

**Attenzione!** La barra di guida e la catena possono surriscaldarsi durante l'utilizzo. Prima di effettuare la sostituzione, attendere che la catena e la barra si raffreddino.

- ◆ Collocare l'elettrotensile su una superficie stabile.
- ◆ Allentare ed estrarre completamente i due dadi di ritegno (11) ruotandoli in senso antiorario con la chiave (2) fornita.
- ◆ Rimuovere il coperchio di accesso alla catena (12).
- ◆ Aprire le maniglie e tirare all'indietro la ganascia superiore (6).
- ◆ Tirare all'indietro la barra (8) e sollevare la catena (9) fuori dal solco nella barra di guida. È quindi possibile togliere la catena dall'elettrotensile.
- ◆ La barra della catena può essere quindi estratta inclinandola verso l'alto e al di sopra dei bulloni.

## Montaggio della barra della catena e della catena (figg. C e D)

**Attenzione!** Indossare sempre guanti di protezione per l'installazione e la rimozione della catena della sega. La motosega per potatura è affilata e può causare ferite da taglio anche da ferma.

- ◆ Assicurarsi di eseguire l'operazione su una superficie stabile.
- ◆ Aprire le maniglie e tirare all'indietro la ganascia superiore (6).
- ◆ Inserire la barra della catena (8) nello spazio tra il tendicatena e il primo bullone, inclinata verso il basso, sui bulloni.
- ◆ Disporre la catena (9) intorno al frontale della barra, inserendola nell'ingranaggio sulla punta della stessa.
- ◆ Tirare all'indietro barra e catena, inserendo quest'ultima nel solco della barra e quindi al di sopra dell'ingranaggio (14), collocando i denti nella corretta posizione sullo stesso.
- ◆ Rimettere al suo posto il coperchio di accesso alla catena (12) e i dadi di ritegno (11), serrandoli a fondo.

## Utilizzo

**Attenzione!** Lasciare che l'elettrotensile funzioni al suo ritmo. Non sovraccaricare l'elettrotensile.

- ◆ Eseguire una regolare pulizia dell'unità come descritto nella sezione dedicata alla manutenzione; in particolare mantenere pulito l'interno del coperchio di accesso alla catena.
- ◆ Le ganasce inferiore (7) e superiore (6) sono studiate per chiudersi quando una delle maniglie viene rilasciata o quando il ramo su cui si lavora è tagliato completamente. Se ciò non avviene, interrompere l'utilizzo dell'elettrotensile ed estrarre la spina dalla presa. Controllare la presenza di eventuali frammenti che bloccano il movimento. Per agevolare il processo può essere necessario rimuovere il coperchio di accesso alla catena (12). Se una volta rimontato il coperchio il problema è ancora presente, portare l'unità a un centro di assistenza autorizzato.

## Lubrificazione (fig. E)

- ◆ Prima di iniziare il lavoro e ogni 10 minuti di utilizzo è necessario lubrificare il prodotto con l'apposito olio per catene (n. cat. A6027). Aprire il coperchio di lubrificazione (10) e inserire il flacone nel foro di riempimento dell'olio (15); premere una volta il flacone per causare la fuoriuscita dell'olio.
- ◆ La dose è sufficiente per circa 10 minuti di taglio a seconda della velocità di taglio e del tipo di legno.
- ◆ Dal foro l'olio viene convogliato attraverso la catena sulla barra e una quantità eccessiva di olio può causarne il gocciolamento dall'unità intorno alla zona delle ganasce. Ciò è normale e non deve causare alcuna preoccupazione.

## Accensione e spegnimento.

**Attenzione!** Non tentare mai di bloccare un attuatore-interruttore nella posizione di acceso.

Per la sicurezza dell'operatore, questo elettrotensile è dotato di un sistema a doppio interruttore. Tale sistema impedisce l'avvio indesiderato dell'elettrotensile.

## Accensione (fig. F)

Afferrare saldamente le maniglie e spingere ambedue gli attuatori-interruttori per accendere l'unità.

## Spegnimento (fig. F)

Rilasciare uno dei due interruttori.

**Nota:** perché il prodotto funzioni, è necessario che ambedue gli interruttori siano azionati.

Non sovraccaricare l'elettrotensile: lasciare allo stesso il tempo di compiere il proprio lavoro. Il prodotto esegue un lavoro migliore e più sicuro alla velocità per cui è stato

progettato. L'applicazione di una forza eccessiva può causare l'allungamento della catena.

Se la catena della sega o la barra si inceppano, effettuare i passaggi di seguito elencati.

- ◆ Spegner l'elettrotensile.
- ◆ Scollegare l'elettrotensile dalla rete di alimentazione.
- ◆ Aprire il taglio inserendo dei cunei per alleviare la pressione sulla barra di guida. Non tentare di liberare la sega tagliando in senso contrario. Iniziare un taglio nuovo.

## Potatura dei rami (fig. G)

Assicurarsi che le leggi e i regolamenti locali non proibiscano o controllino la potatura dei rami degli alberi.

- ◆ Assicurarsi che l'elettrotensile funzioni a piena velocità prima di iniziare un taglio.
- ◆ Mantenere saldamente in posizione l'elettrotensile evitandone i possibili rimbalzi o movimenti laterali.
- ◆ Guidare l'elettrotensile utilizzando una leggera pressione.
- ◆ Tagliare sempre dall'alto verso il basso. In questo modo si evita l'inceppamento della catena della sega.
- ◆ Rimuovere i rami come mostrato in fig. G. Iniziando dalla punta del ramo, ridurre quest'ultimo procedendo secondo logica e tagliandone via piccole sezioni.
- ◆ Togliere l'elettrotensile dal taglio quando gira ancora a piena velocità.

## Manutenzione

Questo elettrotensile Black & Decker è stato progettato per funzionare a lungo con un minimo di manutenzione. Per ottenere prestazioni sempre soddisfacenti occorre avere cura dell'elettrotensile e sottoporlo a manutenzione periodica.

**Attenzione!** Prima di eseguire qualsiasi operazione di manutenzione o pulizia sull'elettrotensile, disconnettere lo stesso dall'alimentazione.

## Pulizia

- ◆ Togliere con regolarità il coperchio di accesso alla catena e rimuovere eventuali frammenti che vi siano rimasti intrappolati.
- ◆ Pulire regolarmente le feritoie di ventilazione con un pennello pulito e asciutto.
- ◆ Per pulire l'elettrotensile, utilizzare solamente sapone delicato e un panno umido. Evitare la penetrazione di liquidi all'interno dell'elettrotensile e non immergere mai nessuna parte dello stesso in un liquido.

## Lubrificazione

- ◆ Lubrificare con regolarità i punti (15) come indicato in figura B.

**Trasporto**

- ◆ Trasportare sempre l'elettrotensile con le ganasce chiuse.

**Conservazione**

- ◆ Se si prevede di non utilizzare l'elettrotensile per più mesi, cospargere di olio tutte le parti in metallo.
- ◆ Conservare l'elettrotensile in un posto sicuro e asciutto. La temperatura di conservazione deve rimanere sempre nell'intervallo tra + 5° C e + 40° C. Collocare l'elettrotensile al riparo dalle cadute.

**Protezione dell'ambiente**

Nel caso in cui l'elettrotensile non sia più necessario, è possibile restituirlo ai tecnici Black & Decker che provvederanno a smaltirlo in modo sicuro per l'ambiente.



La raccolta differenziata dei prodotti e degli imballaggi utilizzati consente il riciclaggio dei materiali e il loro continuo utilizzo. Il riutilizzo dei materiali riciclati favorisce la tutela dell'ambiente prevenendo l'inquinamento e riduce il fabbisogno di materie prime.

Seguire la regolamentazione locale per la raccolta differenziata dei prodotti elettrici che può prevedere punti di raccolta o la consegna dell'elettrotensile al rivenditore presso il quale viene acquistato un nuovo prodotto.

Black & Decker offre ai suoi clienti la possibilità di riciclare i prodotti Black & Decker che hanno esaurito la loro vita di servizio. Per usufruire di tale servizio, è sufficiente restituire il prodotto a qualsiasi tecnico autorizzato, incaricato della raccolta per conto dell'azienda.

Per individuare il tecnico autorizzato più vicino, rivolgersi alla sede Black & Decker locale, presso il recapito indicato nel presente manuale. In alternativa, un elenco completo di tutti i tecnici autorizzati Black & Decker e i dettagli completi sui contatti e i servizi post-vendita sono disponibili su Internet presso: **www.2helpU.com**.

**Dati tecnici**

		<b>GK1000</b>	<b>GK1050</b>
Tensione	$V_{CA}$	230	230
Potenza assorbita	W	550	600
Velocità della catena (senza carico)	m/s	2,3	2,3
Massimo diametro di taglio	mm	100	100
Peso	kg	3	3

**Dichiarazione CE di conformità**

GK1000/GK1050

Black & Decker dichiara che i presenti prodotti sono conformi a:  
98/37/CE, 89/336/CEE, EN 60745, EN 55014, EN61000,  
EN60335, 2000/14/CE, Motosega per potatura  $\leq 600$  W,

Appendice V

Livello garantito di pressione sonora, misurata in conformità  
con la normativa 2000/14/CE.

 $L_{pA}$  (pressione sonora) 87 dB(A), $L_{WA}$  (potenza acustica) 98 dB(A), $L_{WA}$  (garantito) 105 dB(A),Vibrazione misurata su braccio/mano 2,6 m/s<sup>2</sup>

Kevin Hewitt

Direttore tecnico prodotti di consumo  
Spennymoor, County Durham DL16 6JG,

Regno Unito

1-5-2005

Il potatore Alligator<sup>TM</sup> è oggetto di brevetto e applicazioni di progetto in Europa, negli Stati Uniti e in altri Paesi del mondo. ALLIGATOR è un marchio depositato di The Black & Decker Corporation.

## Garanzia

Certa della qualità dei suoi prodotti, Black & Decker offre una garanzia eccezionale. Il presente certificato di garanzia è complementare ai diritti statutari e non li pregiudica in alcun modo. La garanzia è valida entro il territorio degli Stati membri dell'Unione Europea e dell'EFTA (European Free Trade Area).

Se un prodotto Black & Decker risulta difettoso per qualità del materiale, della costruzione o per mancata conformità entro 24 mesi dalla data di acquisto, Black & Decker garantisce la sostituzione delle parti difettose, provvede alla riparazione dei prodotti se ragionevolmente usurati oppure alla loro sostituzione, in modo da ridurre al minimo il disagio del cliente a meno che:

- ◆ il prodotto non sia stato destinato ad usi commerciali, professionali o al noleggio;
- ◆ il prodotto non sia stato usato in modo improprio o scorretto;
- ◆ il prodotto non abbia subito danni causati da oggetti o sostanze estranee oppure incidenti;
- ◆ il prodotto non abbia subito tentativi di riparazione non effettuati da tecnici autorizzati né dall'assistenza Black & Decker.

Per attivare la garanzia è necessario esibire la prova di acquisto al venditore o al tecnico autorizzato. Per individuare il tecnico autorizzato più vicino, rivolgersi alla sede Black & Decker locale, presso il recapito indicato nel presente manuale. In alternativa, un elenco completo di tutti i tecnici autorizzati Black & Decker e i dettagli completi sui contatti e i servizi post-vendita sono disponibili su Internet presso:

**[www.2helpU.com](http://www.2helpU.com)**.

I clienti che desiderano registrare il nuovo prodotto Black & Decker e ricevere gli aggiornamenti sui nuovi prodotti e le offerte speciali, sono invitati a visitare il sito Web (**[www.blackanddecker.it](http://www.blackanddecker.it)**). Ulteriori informazioni sul marchio e la gamma di prodotti Black & Decker sono disponibili all'indirizzo **[www.blackanddecker.it](http://www.blackanddecker.it)**.



## Beoogd gebruik

Uw Black & Decker Alligator™ Lopper is ontworpen voor het snoeien van boomtakken, het doorzagen van gesnoeide takken en het zagen van kleine houtblokken met een diameter van 25 tot 100 mm terwijl de gebruiker op de grond staat. Dit gereedschap is uitsluitend bestemd voor consumentengebruik.

## Algemene veiligheidsvoorschriften

**Waarschuwing!** Lees alle voorschriften. Wanneer de volgende voorschriften niet in acht worden genomen, kan dit een elektrische schok, brand en/of ernstig letsel tot gevolg hebben. Het hierna gebruikte begrip 'elektrisch gereedschap' heeft betrekking op elektrische gereedschappen voor gebruik op de netspanning (met netsnoer) of op accu (snoerloos).

BEWAAR DEZE VOORSCHRIFTEN GOED.

### 1. Werkomgeving

- a. **Houd uw werkomgeving schoon en opgeruimd.** Een rommelige of onverlichte werkomgeving kan tot ongevallen leiden.
- b. **Gebruik elektrisch gereedschap niet in een omgeving met explosiegevaar, zoals in de nabijheid van brandbare vloeistoffen, gassen of stof.** Elektrisch gereedschap veroorzaakt vonken die het stof of de dampen tot ontsteking kunnen brengen.
- c. **Houd kinderen en andere personen tijdens het gebruik van elektrisch gereedschap uit de buurt.** Wanneer u wordt afgeleid, kunt u de controle over het gereedschap verliezen.

### 2. Elektrische veiligheid

- a. **De netstekker van het gereedschap moet in het stopcontact passen. De stekker mag in geen geval worden veranderd. Gebruik geen adapterstekkers in combinatie met gearde gereedschappen.** Onveranderde stekkers en passende stopcontacten beperken het risico van een elektrische schok.
- b. **Voorkom aanraking van het lichaam met gearde oppervlakken, bijvoorbeeld buizen, verwarmingen, fornuizen en koelkasten.** Er bestaat een verhoogd risico op een elektrische schok wanneer uw lichaam geaard is.
- c. **Houd het gereedschap uit de buurt van regen en vocht.** Het binnendringen van water in het elektrische gereedschap vergroot het risico van een elektrische schok.
- d. **Gebruik het snoer niet voor een verkeerd doel. Gebruik het snoer niet om het gereedschap te dragen of op te hangen of om de stekker uit het stopcontact te trekken. Houd het snoer uit de buurt van hitte, olie, scherpe randen of bewegende delen.** Beschadigde of in de war geraakte snoeren vergroten het risico van een elektrische schok.

- e. **Wanneer u buitenshuis met elektrisch gereedschap werkt, dient u alleen verlengsnoeren te gebruiken die zijn goedgekeurd voor gebruik buitenshuis.** Het gebruik van een verlengsnoer dat geschikt is voor gebruik buitenshuis beperkt het risico van een elektrische schok.

### 3. Veiligheid van personen

- a. **Wees alert, let goed op wat u doet en ga verstandig te werk bij het gebruik van elektrisch gereedschap. Gebruik elektrisch gereedschap niet wanneer u moebent of onder invloed van drugs, alcohol of medicijnen.** Een moment van onoplettendheid bij het gebruik van het gereedschap kan leiden tot ernstige verwondingen.
- b. **Draag persoonlijke beschermende uitrusting. Draag altijd een veiligheidsbril.** Het dragen van persoonlijke beschermende uitrusting zoals een stofmasker, slipvaste werkschoenen, een veiligheidshelm of gehoorbescherming, afhankelijk van de aard en het gebruik van het elektrische gereedschap, vermindert het risico van verwondingen.
- c. **Voorkom per ongeluk inschakelen. Controleer of de schakelaar in de uit-stand staat voordat u de stekker in het stopcontact steekt.** Wanneer u bij het dragen van het gereedschap uw vinger op de schakelaar houdt of wanneer u het gereedschap ingeschakeld aansluit op de stroomvoorziening, kan dit leiden tot ongevallen.
- d. **Verwijder instelgereedschappen of schroefslutels voordat u het gereedschap inschakelt.** Een instelgereedschap of sleutel in een draaiend deel van het gereedschap kan leiden tot verwondingen.
- e. **Reik niet te ver. Zorg er altijd voor dat u stevig staat en in evenwicht blijft.** Daardoor kunt u het gereedschap beter onder controle houden in onverwachte situaties.
- f. **Draag geschikte kleding. Draag geen loshangende kleding of sieraden. Houd haren, kleding en handschoenen uit de buurt van bewegende delen.** Loshangende kleding, sieraden en lange haren kunnen door bewegende delen worden meegenomen.
- g. **Wanneer stofafzuigings- of stofopvangvoorzieningen kunnen worden gemonteerd, dient u zich ervan te verzekeren dat deze zijn aangesloten en juist worden gebruikt.** Het gebruik van dergelijke voorzieningen beperkt het gevaar door stof.
4. **Gebruik en onderhoud van elektrisch gereedschap**
  - a. **Overbelast het gereedschap niet. Gebruik voor uw toepassing het daarvoor bestemde elektrische gereedschap.** Met het passende elektrische gereedschap werkt u beter en veiliger binnen het aangegeven capaciteitsbereik.

- b. Gebruik geen elektrisch gereedschap waarvan de schakelaar defect is.** Elektrisch gereedschap dat niet meer kan worden in- of uitgeschakeld, is gevaarlijk en moet worden gerepareerd.
- c. Trek de stekker uit het stopcontact voordat u het gereedschap instelt, toebehoren wisselt of het gereedschap opbergt.** Met deze voorzorgsmaatregel voorkomt u onbedoeld starten van het gereedschap.
- d. Bewaar niet-gebruikt elektrisch gereedschap buiten bereik van kinderen. Laat het gereedschap niet gebruiken door personen die er niet vertrouwd mee zijn en deze aanwijzingen niet hebben gelezen.** Elektrische gereedschappen zijn gevaarlijk wanneer deze worden gebruikt door onervaren personen.
- e. Onderhoud het gereedschap zorgvuldig. Controleer of bewegende delen van het gereedschap correct functioneren en niet vastklemmen en of onderdelen zodanig zijn gebroken of beschadigd dat de werking van het gereedschap nadelig wordt beïnvloed. Laat beschadigde delen repareren voordat u het gereedschap gebruikt.** Veel ongevallen worden veroorzaakt door slecht onderhouden elektrisch gereedschap.
- f. Houd snijdende inzetgereedschappen scherp en schoon.** Zorgvuldig onderhouden snijdende inzetgereedschappen met scherpe snijkanten klemmen minder snel vast en zijn gemakkelijker te geleiden.
- g. Gebruik elektrische gereedschappen, toebehoren, inzetgereedschappen en dergelijke volgens deze aanwijzingen en zoals voor dit speciale gereedschapstype is voorgeschreven. Let daarbij op de arbeidsomstandigheden en de uit te voeren werkzaamheden.** Het gebruik van elektrische gereedschappen voor andere dan de voorziene toepassingen kan leiden tot gevaarlijke situaties.
- 5. Service**
- a. Laat het gereedschap alleen repareren door gekwalificeerd en vakkundig personeel en alleen met originele vervangingsonderdelen.** Daarmee wordt de veiligheid van het gereedschap gewaarborgd.
- Aanvullende veiligheidsinstructies voor de Alligator™ Lopper**
- Waarschuwing!** Gebruik het gereedschap nooit boven schouderhoogte. Zorg dat u buiten de baan blijft van vallende takken en zaagafval.
- Waarschuwing!** Gebruik dit gereedschap niet om bomen om te zagen.
- ◆ Blijf te allen tijde met uw lichaam en kleding uit de buurt van de zaagketting. Houd het gereedschap vóór u en wees u bewust van de stand van de zaagketting, vooral als u takken vlak bij de grond doorzaagt. Controleer voordat u het gereedschap start of de zaagketting vrij kan draaien.
  - ◆ Bepaal van tevoren een veilige vluchtweg bij vallende takken en zaagafval. Zorg dat de vluchtweg vrij is van obstakels die u zouden kunnen hinderen. Bedenk dat nat gras en vers gezaaide boomschors glad zijn.
  - ◆ Wees u bewust van de waarschijnlijke valrichting van takken. Houd rekening met alle factoren die de valrichting kunnen beïnvloeden, zoals:
    - De beoogde valrichting.
    - De natuurlijke kromming van de tak.
    - Een verdikking of rotte plek.
    - Andere bomen of obstakels zoals bovengrondse kabels.
    - De richting en kracht van de wind.
  - ◆ De veilige afstand tussen een tak die wordt afgesnoeid en omstanders, gebouwen en andere objecten is ten minste 2 1/2 keer de lengte van de tak. Een omstander, gebouw of object binnen deze afstand loopt het risico door de vallende tak te worden geraakt.
  - ◆ Als u een tak doorzaagt die onder spanning staat, wees dan bedacht op terugveren daarvan. Als de spanning in de houtvezels vrijkomt, kan de tak tegen u aanslaan en/of het gereedschap uit uw handen wringen.
  - ◆ Draag altijd geschikte veiligheidsmiddelen bij het gebruik van het gereedschap, zoals veiligheidsschoenen met antislipzolen, een helm, een stofbril, gehoorbeschermers en handschoenen.
  - ◆ Zorg dat er altijd iemand in de buurt is (op een veilige afstand) die bij een ongeval hulp kan bieden.
  - ◆ Gebruik het gereedschap nooit terwijl u in een boom, op een ladder of op een andere instabiele verhoging staat.
  - ◆ Zorg altijd dat u stevig en in evenwicht staat.
  - ◆ Houd het gereedschap stevig met beide handen vast als de motor draait.
  - ◆ Houd de handvatten droog, schoon en vrij van olie en vet. Vettige handvatten zijn glad, waardoor u de controle over het gereedschap kunt verliezen.
  - ◆ Zorg dat het uiteinde van de kettinggeleider nergens mee in aanraking komt als de zaagketting draait.
  - ◆ Zorg dat de ketting op de juiste spanning blijft. Controleer de kettingspanning regelmatig met de motor uit en het netsnoer losgekoppeld.
  - ◆ Zaag uitsluitend met de ketting draaiend op volle snelheid.
  - ◆ Wees bedacht op bewegende takken of andere krachten die de zaagsnede kunnen dichtknijpen of met de ketting in aanraking kunnen komen.

- ◆ Ga zeer voorzichtig te werk wanneer u verder gaat zagen in een eerder gemaakte zaagsnede. Zorg dat de tanden van de onderkaak in het hout grijpen en laat de zaagketting op volle snelheid komen voordat u verdergaat met zagen.
- ◆ Het gebruik van dit gereedschap voor doeleinden waarvoor het niet is ontworpen kan leiden tot gevaarlijke situaties. Zaag uitsluitend hout. Gebruik het gereedschap niet om andere materialen mee te zagen, zoals kunststoffen, metselwerk of andere bouwmaterialen dan hout.
- ◆ Als er zaagafval in het gereedschap vast komt te zitten, stop dan met zagen, koppel het netsnoer los en verwijder het afval.
- ◆ Een versleten zaagketting of kettinggeleider dient onmiddellijk te worden vervangen.
- ◆ Gebruik uitsluitend door de fabrikant aanbevolen vervangingsonderdelen.

Uw gereedschap is voorzien van de volgende waarschuwingssymbolen:



Lees de gebruikershandleiding.



Gebruik uw zaag niet in natte omstandigheden en stel deze niet bloot aan regen.



Draag altijd hoofd-, gehoor- en gezichtsbescherming.



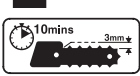
Wees bedacht op vallende objecten. Houd omstanders uit de buurt.



Gebruik het gereedschap niet op een ladder.



Werp het gereedschap niet in de afvalbak.



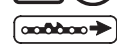
Controleer de kettingspanning na elke 10 minuten gebruik. Stel de ketting af op een speling van 3 mm.



Smeer de ketting na elke tien minuten gebruik.



Waarschuwing - raak de ketting niet aan bij de zaagselafvoer (9).



Draairichting van de ketting.



Koppel het netsnoer onmiddellijk los van de netspanning als het netsnoer beschadigd raakt.

## Elektrische veiligheid



Dit gereedschap is dubbel geïsoleerd; een aardaansluiting is daarom niet noodzakelijk. Controleer altijd of uw netspanning overeenkomt met de waarde op het typeplaatje.

## Aanvullende veiligheidsinstructies

- ◆ Dit gereedschap mag niet zonder supervisie worden gebruikt door jonge of lichamelijk zwakke mensen. Er moet toezicht worden gehouden op kinderen om ervoor te zorgen dat deze niet met het gereedschap spelen.
- ◆ Als het netsnoer is beschadigd, moet dit worden vervangen door de fabrikant of een Black & Decker-servicecentrum om gevaren te voorkomen.

## Overblijvende risico's

Ook als de toepasselijke veiligheidsvoorschriften worden gevolgd en geschikte veiligheidsmaatregelen worden genomen, blijven er bepaalde risico's verbonden aan het gebruik van kettingzagen. Dit zijn:

- ◆ Risico op letsel door contact met bewegende, scherpe of hete onderdelen, uitgeworpen zaagafval en objecten die op de gebruiker, omstanders of eigendommen vallen.
- ◆ Risico op letsel door verkeerd gebruik, een val van een ladder of uit een boom, gebruik onder natte of gevaarlijke omstandigheden, beschadiging van het netsnoer, gebruik door jonge of lichamelijk zwakke mensen, het niet dragen van veiligheidsmiddelen of geschikte kleding of het inademen van zaagsel.

De hierboven genoemde risico's zijn kenbaar gemaakt door waarschuwingen in de veiligheidsinstructies en/of symbolen op het gereedschap.

De in deze handleiding vermelde trillingswaarde is in overeenstemming met de gestandaardiseerde test voor EN60745. De gebruiker dient zichzelf niet gedurende langere perioden bloot te stellen aan hoge trillingswaarden. De trillingswaarden van dit gereedschap liggen onder 5 m/s en voldoen aan de limieten van 2002/44/EG voor onafgebroken gebruik gedurende een werkdag van 8 uur. De werkelijke gebruiksomstandigheden kunnen variëren en mogelijk resulteren in hogere trillingswaarden dan gemeten bij de gestandaardiseerde test.

## Inhoud

1. Flesje olie
2. Sleutel
3. Gebruikershandleiding
4. Alligator™ Lopper

De hierboven vermelde items zijn minimaal meegeleverd.

## Onderdelenoverzicht

5. Aan/uit-schakelaars
6. Bovenkaak
7. Onderkaak
8. Kettinggeleider
9. Zaagselafvoer
10. Smeerpuntafdekking

## Kettingspanning afstellen (fig. A)

**Waarschuwing!** Schakel het gereedschap uit en koppel het netsnoer los alvorens de ketting of andere onderdelen af te stellen.

**Waarschuwing!** De kettinggeleider en ketting kunnen na gebruik heet zijn. Laat deze onderdelen afkoelen alvorens ze af te stellen.

Het product wordt volledig gemonteerd geleverd. Niettemin wordt aanbevolen de kettingspanning en kettingbouten voor gebruik te controleren en zo nodig af te stellen.

### De kettingspanning controleren en afstellen (fig. A)

Draai de twee kettingmoeren (11) terug met de sleutel (2) om de ketting te spannen. De kettingspanner drukt nu de kettinggeleider naar voren, waardoor de juiste kettingspanning wordt ingesteld. Zet de twee kettingmoeren (11) weer stevig vast.

Controleer of de juiste kettingspanning is ingesteld door lichtjes aan de ketting te trekken. De spanning is correct wanneer de ketting terugschiet als deze 3 mm van de kettinggeleider wordt getrokken. De ketting mag aan de onderzijde van de kettinggeleider niet doorhangen.

**Opmerking:** Stel de ketting niet te strak af, dit leidt tot overmatige slijtage en beperkt de levensduur van de geleider en de ketting. Daarnaast zullen de prestaties van het gereedschap verminderen.

**Opmerking:** Controleer de kettingspanning regelmatig bij het eerste gebruik en na vervanging van de ketting, aangezien nieuwe kettingen meer rek vertonen.

## De ketting en kettinggeleider vervangen

Na langdurig gebruik moet mogelijk de ketting en/of kettinggeleider worden vervangen. Gebruik hiervoor uitsluitend door Black & Decker aanbevolen vervangingsonderdelen.

### De ketting en kettinggeleider vervangen (fig. A en B)

**Waarschuwing!** Draag altijd handschoenen bij het verwijderen of monteren van de zaagketting. De ketting is scherp en kan u ook verwonden als deze niet draait.

**Waarschuwing!** De kettinggeleider en ketting kunnen na gebruik heet zijn. Laat de kettinggeleider en ketting afkoelen alvorens deze te vervangen.

- ◆ Plaats het gereedschap op een stevige ondergrond.
- ◆ Draai de twee kettingmoeren (11) linksom met de meegeleverde sleutel (2) en verwijder ze vervolgens.
- ◆ Verwijder de kettingkap (12).
- ◆ Open de handvatten en trek de bovenkaak (6) naar achteren.
- ◆ Trek de kettinggeleider (8) naar achteren en haal vervolgens de ketting (9) uit de groef in de kettinggeleider. De ketting kan nu van het gereedschap worden verwijderd.
- ◆ De kettinggeleider kan achterover van de draadeinden worden getild.

### De kettinggeleider en ketting monteren (fig. C en D)

**Waarschuwing!** Draag altijd handschoenen bij het verwijderen of monteren van de zaagketting. De ketting is scherp en kan u ook verwonden als deze niet draait.

- ◆ Plaats het gereedschap op een stevige ondergrond om de montage uit te voeren.
- ◆ Open de handvatten en trek de bovenkaak (6) naar achteren.
- ◆ Plaats de kettinggeleider (8) in de uitsparing tussen de kettingspanner en het eerste draadeind en laat de kettinggeleider vervolgens voorover over de draadeinden zakken.
- ◆ Trek de ketting (9) rond de voorzijde van de kettinggeleider zodat deze aangrijpt in het neustandwiel.
- ◆ Trek de kettinggeleider en de ketting naar achteren, plaats de ketting in de groef in de kettinggeleider en trek de ketting om het tandwiel (14) zodat de tanden van het tandwiel in de ketting aangrijpen.
- ◆ Plaats de kettingkap (12) terug, breng de kettingmoeren (11) aan en zet deze stevig vast.

## Gebruik

**Waarschuwing!** Laat het gereedschap in zijn eigen tempo werken. Vermijd overbelasting.

- ◆ Reinig het gereedschap regelmatig volgens de instructies in de paragraaf Onderhoud, met name de ruimte onder de kettingkap.
- ◆ De onderkaak (7) en bovenkaak (6) zijn ontworpen om te sluiten wanneer een van de handvatten wordt losgelaten of nadat een tak is doorgezaagd. Als dit niet gebeurt, schakel het gereedschap dan onmiddellijk uit en koppel het netsnoer los. Ga na of de beweging wordt verhinderd door zaagafval. Hiervoor kan het nodig zijn om de kettingkap (12) te verwijderen. Als het probleem zich na de montage nog steeds voordoet, breng het gereedschap dan naar een erkend servicecentrum.

### Smeren (fig. E)

- ◆ Voor de ingebruikname en na elke tien minuten gebruik moet het gereedschap worden gesmeerd met de juiste kettingolie. (Cat.nr. A6027) Open de smeerpuntdkking (10) en zet de tuit van het olieflesje tegen de smeeroening (15). Knijp vervolgens lichtjes in het olieflesje om olie aan te brengen.
- ◆ Dit is voldoende voor ongeveer tien minuten gebruik, afhankelijk van de zaagsnelheid en de houtsoort.
- ◆ Via de smeeroening loopt de olie naar de ketting en kettinggeleider. Als u te veel olie aanbrengt, zal deze ook op het gebied rond de kaken terecht komen. Dit is normaal en niets om u zorgen over te maken.

### In- en uitschakelen

**Waarschuwing!** Probeer nooit om een aan/uit-schakelaar in de ingeschakelde stand vast te zetten.

Om veiligheidsredenen is dit gereedschap voorzien van een dubbel schakelaarsysteem. Hierdoor wordt onbedoeld inschakelen van het gereedschap voorkomen.

### Inschakelen (fig. F)

Zorg dat u de handvatten stevig vastheeft en knijp vervolgens beide schakelaars in om het gereedschap in te schakelen.

### Uitschakelen (fig. F)

Laat een van beide schakelaars los.

**Opmerking:** Om het gereedschap in te schakelen moeten beide schakelaars worden ingedrukt.

Oefen geen druk uit op het gereedschap - laat het werk over aan de zaagketting. Het gereedschap werkt het effectiefst en het veiligst op de snelheid waarvoor het is ontworpen. Bij een overmatige krachtuitoefening zal de ketting rekken.

Als de ketting of kettinggeleider vast komt te zitten:

- ◆ Schakel het gereedschap uit.
- ◆ Koppel het gereedschap los van de netspanning.
- ◆ Open de zaagsnede met een wig om de spanning op de kettinggeleider te verminderen. Probeer niet het gereedschap los te wrikken. Ga verder met een nieuwe zaagsnede.

### Takken snoeien (fig. G)

Verzeker u ervan dat er geen wetten of regels zijn die het snoeien van de takken verbieden.

- ◆ Zorg dat het gereedschap op volle snelheid draait alvorens een zaagsnede te maken.
- ◆ Houd het gereedschap stevig op zijn plaats om terugslaan of zijwaarts bewegen van het gereedschap te voorkomen.
- ◆ Oefen een lichte druk uit om het gereedschap te sturen.
- ◆ Zaag altijd van boven naar beneden. Hierdoor voorkomt u dat het gereedschap in de zaagsnede beklemd raakt.

- ◆ Verwijder de takken zoals aangegeven in fig. G. Begin bij het uiteinde van de tak en zaag deze in kleine stappen tot op de gewenste lengte.
- ◆ Haal het gereedschap uit de zaagsnede terwijl het nog op volle snelheid draait.

### Onderhoud

Uw Black & Decker-gereedschap is ontworpen om gedurende langere periode te functioneren met een minimum aan onderhoud. U kunt het gereedschap naar volle tevredenheid blijven gebruiken als u voor correct onderhoud zorgt en het gereedschap regelmatig schoonmaakt.

**Waarschuwing!** Koppel het gereedschap los van de netvoeding voordat u onderhouds- of reinigingswerkzaamheden uitvoert.

### Reinigen

- ◆ Verwijder regelmatig de kettingkap om daarachter opgehoopt zaagafval te verwijderen.
- ◆ Reinig de ventilatieopeningen regelmatig met een schone, droge kwast.
- ◆ Reinig het gereedschap uitsluitend met een milde reinigingsoplossing en een vochtige doek. Voorkom dat vloeistof het gereedschap binnendringt en dompel nooit enig onderdeel van het gereedschap in vloeistof onder.

### Smeren

- ◆ Smeer het gereedschap regelmatig bij het smeerpunt (15) zoals aangegeven in fig. B.

### Vervoer

- ◆ Vervoer het gereedschap altijd met de kaken gesloten.

### Opbergen

- ◆ Veeg de metalen onderdelen af met een in olie gedrenkte doek als het gereedschap enkele maanden niet wordt gebruikt.
- ◆ Berg het gereedschap op een veilige en droge plaats op. De temperatuur in de opbergkamer moet altijd tussen + 5 en + 40 °C liggen. Plaats het gereedschap op een veilige, vlakke ondergrond.

### Milieu



Mocht u op een dag constateren dat het gereedschap aan vervanging toe is of dat u het gereedschap niet meer nodig hebt, houdt u dan rekening met het milieu. Black & Decker-servicecentra zijn bereid oude Black & Decker-machines in te nemen en ervoor te zorgen dat deze op milieuvriendelijke wijze worden afgevoerd.



Gescheiden inzameling van gebruikte producten en verpakkingsmaterialen maakt het mogelijk materialen te recycleren en opnieuw te gebruiken. Hergebruik van gerecycleerde materialen zorgt voor minder milieuvuiling en dringt de vraag naar grondstoffen terug.

Plaatselijke verordeningen kunnen voorzien in gescheiden inzameling van huishoudelijke elektrische producten via gemeentelijke stortplaatsen of via de leverancier bij wie u een nieuw product aanschaft.

Black & Decker biedt de mogelijkheid tot het recyclen van afgedankte Black & Decker-producten. Om gebruik te maken van deze service, dient u het product naar een van onze servicecentra te sturen, die de inzameling voor ons verzorgen.

U kunt het adres van het dichtstbijzijnde servicecentrum opvragen via de adressen op de achterzijde van deze handleiding. U kunt ook een lijst van onze servicecentra en meer informatie over onze klantenservice vinden op het volgende internetadres: [www.2helpU.com](http://www.2helpU.com).

## Technische gegevens

		GK1000	GK1050
Spanning	$V_{AC}$	230	230
Opgenomen vermogen	W	550	600
Kettingsnelheid (onbelast)	m/s	2,3	2,3
Maximale diameter voor zaagsnede	mm	100	100
Gewicht	kg	3	3

## EG-conformiteitsverklaring

GK1000/GK1050

Black & Decker verklaart dat deze producten in overeenstemming zijn met:

98/37/EG, 89/336/EEG, EN 60745, EN 55014, EN61000, EN60335, 2000/14/EG, Kettingzaag  $\leq$  600 W, Bijlage V

Gegarandeerd geluidsdruk niveau, gemeten volgens 2000/14/EG:

$L_{pA}$  (geluidsdruk) 87 dB(A),

$L_{WA}$  (geluidsvermogen) 98 dB(A),

$L_{WA}$  (gegarandeerd) 105 dB(A),

gewogen trilling hand/arm 2,6  $m/s^2$

Kevin Hewitt

Director of Consumer Engineering

Spennymoor, County Durham DL16 6JG,

Verenigd Koninkrijk

1-5-2005

Het ontwerp van de Alligator™ Lopper wordt beschermd door patenten in Europa, de Verenigde Staten en andere landen wereldwijd. ALLIGATOR is een handelsmerk van The Black & Decker Corporation.

## Garantie

Black & Decker heeft vertrouwen in zijn producten en biedt een uitstekende garantie. Deze garantiebepalingen vormen een aanvulling op uw wettelijke rechten en beperken deze niet. De garantie geldt in de lidstaten van de Europese Unie en de Europese Vrijhandelsassociatie.

Mocht uw Black & Decker product binnen 24 maanden na de datum van aankoop defect raken ten gevolge van materiaal- of constructiefouten, dan garanderen wij de kosteloze vervanging van defecte onderdelen, de reparatie van het product of de vervanging van het product, tenzij:

- ◆ Het product is gebruikt voor handelsdoeleinden, professionele toepassingen of verhuurdoeleinden;
- ◆ Het product onoordeelkundig is gebruikt;
- ◆ Het product is beschadigd door invloeden van buitenaf of door een ongeval;
- ◆ Reparaties zijn uitgevoerd door anderen dan onze servicecentra of Black & Decker-personeel.

Om een beroep te doen op de garantie, dient u een aankoopbewijs te overhandigen aan de verkoper of een van onze servicecentra. U kunt het adres van het dichtstbijzijnde servicecentrum opvragen via de adressen op de achterzijde van deze handleiding. U kunt ook een lijst van onze servicecentra en meer informatie m.b.t. onze klantenservice vinden op het volgende internetadres: [www.2helpU.com](http://www.2helpU.com).

Meld u aan op onze website [www.blackanddecker.nl](http://www.blackanddecker.nl) om te worden geïnformeerd over nieuwe producten en speciale aanbiedingen. Verdere informatie over het merk Black & Decker en onze producten vindt u op [www.blackanddecker.nl](http://www.blackanddecker.nl).

## Uso previsto

La podadora Black & Decker Alligator™ se ha diseñado para podar las ramas de árboles y cortar ramas caídas y troncos pequeños con diámetros comprendidos entre 25 y 100 mm mientras el operario se encuentra de pie en el suelo. Esta herramienta está pensada únicamente para uso doméstico.

## Normas de seguridad generales

**¡Atención!** Lea íntegramente estas instrucciones. En caso de no atenerse a las instrucciones de seguridad siguientes, ello puede dar lugar a una descarga eléctrica, incendio o lesión grave. El término "herramienta eléctrica" empleado en las advertencias indicadas a continuación se refiere a la herramienta eléctrica con alimentación de red (con cable) o alimentada por batería (sin cable). **GUARDE ESTAS INSTRUCCIONES EN UN LUGAR SEGURO.**

### 1. Área de trabajo

- a. **Mantenga limpia y bien iluminada el área de trabajo.** El desorden y una iluminación deficiente en las áreas de trabajo pueden provocar accidentes.
- b. **No utilice la herramienta eléctrica en un entorno con peligro de explosión, en el que se encuentren combustibles líquidos, gases o material en polvo.** Las herramientas eléctricas producen chispas que pueden llegar a inflamar los materiales en polvo o vapores.
- c. **Mantenga alejados a los niños y otras personas del área de trabajo al emplear la herramienta eléctrica.** Una distracción le puede hacer perder el control sobre la herramienta.

### 2. Seguridad eléctrica

- a. **El enchufe de la herramienta eléctrica debe corresponder a la toma de corriente utilizada. No es admisible modificar el enchufe en forma alguna. No emplee adaptadores en herramientas eléctricas dotadas con toma de tierra.** Los enchufes sin modificar adecuados a las respectivas tomas de corriente reducen el riesgo de una descarga eléctrica.
- b. **Evite que su cuerpo toque partes conectadas a tierra como tuberías, radiadores, cocinas y refrigeradores.** El riesgo a quedar expuesto a una sacudida eléctrica es mayor si su cuerpo tiene contacto con tierra.
- c. **No exponga las herramientas eléctricas a la lluvia y evite que penetren líquidos en su interior.** Existe el peligro de recibir una descarga eléctrica si penetran ciertos líquidos en la herramienta eléctrica.

- d. **Cuide el cable de alimentación. No utilice el cable de red para transportar o colgar la herramienta eléctrica, ni tire de él para sacar el enchufe de la toma de corriente. Mantenga el cable de red alejado del calor, aceite, bordes afilados o piezas móviles.** Los cables de red dañados o enredados pueden provocar una descarga eléctrica.
  - e. **Al trabajar con la herramienta eléctrica en la intemperie utilice solamente cables de prolongación homologados para su uso en exteriores.** La utilización de un cable de prolongación adecuado para su uso en exteriores reduce el riesgo de una descarga eléctrica.
- ### 3. Seguridad personal
- a. **Esté atento a lo que hace y emplee la herramienta eléctrica con prudencia. No utilice la herramienta eléctrica si estuviese cansado, ni tampoco después de haber consumido alcohol, drogas o medicamentos.** El no estar atento durante el uso de una herramienta eléctrica puede provocar serias lesiones.
  - b. **Utilice un equipo de protección y en todo caso unas gafas de protección.** El riesgo a lesionarse se reduce considerablemente si, dependiendo del tipo y la aplicación de la herramienta eléctrica empleada, se utiliza un equipo de protección adecuado como una mascarilla antipolvo, zapatos de seguridad con suela antideslizante, casco, o protectores auditivos.
  - c. **Evite una puesta en marcha accidental de la herramienta. Compruebe que el interruptor está en la posición de apagado antes de enchufar la herramienta.** Transportar la herramienta eléctrica con el dedo sobre el interruptor o enchufarla con el interruptor encendido puede provocar accidentes.
  - d. **Retire las herramientas de ajuste o llaves fijas antes de conectar la herramienta eléctrica.** Una herramienta o llave colocada en una pieza giratoria de la herramienta eléctrica puede producir lesiones al ponerse a funcionar.
  - e. **Sea precavido. Mantenga un apoyo firme sobre el suelo y conserve el equilibrio en todo momento.** Ello le permitirá controlar mejor la herramienta eléctrica en caso de presentarse una situación inesperada.
  - f. **Lleve puesta una vestimenta de trabajo adecuada. No lleve vestidos anchos ni joyas. Mantenga su pelo, vestimenta y guantes alejados de las piezas móviles.** La vestimenta suelta, las joyas y el pelo largo se pueden enganchar con las piezas en movimiento.
  - g. **Siempre que sea posible utilizar unos equipos de aspiración o captación de polvo, asegúrese que éstos estén montados y que sean utilizados correctamente.** El empleo de estos equipos reduce los riesgos derivados del polvo.

## 4. Uso y cuidado de herramientas eléctricas

### a. No sobrecargue la herramienta eléctrica. Use la herramienta eléctrica prevista para el trabajo a realizar.

Con la herramienta eléctrica adecuada podrá trabajar mejor y más seguro dentro del margen de potencia indicado.

### b. No utilice herramientas eléctricas con un interruptor defectuoso.

Las herramientas eléctricas que no se puedan conectar o desconectar son peligrosas y deben hacerse reparar.

### c. Saque el enchufe de la red antes de realizar un ajuste en la herramienta eléctrica, cambiar de accesorio o al guardar la herramienta.

Esta medida preventiva reduce el riesgo de conectar accidentalmente la herramienta eléctrica.

### d. Guarde las herramientas eléctricas fuera del alcance de los niños y de las personas que no estén familiarizadas con su uso.

Las herramientas eléctricas utilizadas por personas inexpertas son peligrosas.

### e. Cuide sus herramientas eléctricas con esmero.

Controle si funcionan correctamente, sin atascarse, las partes móviles de la herramienta eléctrica, y si existen partes rotas o deterioradas que pudieran afectar al funcionamiento de la herramienta. Si la herramienta eléctrica estuviese defectuosa haga que la reparen antes de volver a utilizarla. Muchos de los accidentes se deben a herramientas eléctricas con un mantenimiento deficiente.

### f. Mantenga las herramientas de corte limpias y afiladas.

Las herramientas de corte mantenidas correctamente son más fáciles de guiar y controlar.

### g. Utilice herramientas eléctricas, accesorios, útiles de herramienta, etc. de acuerdo con estas instrucciones y en la manera indicada específicamente para esta herramienta eléctrica. Considere en ello las condiciones de trabajo y la tarea a realizar.

El uso de herramientas eléctricas para trabajos diferentes de aquéllos para los que han sido concebidas puede resultar peligroso.

## 5. Servicio técnico

### a. Haga reparar su herramienta eléctrica sólo por personal técnico autorizado que emplee exclusivamente piezas de repuesto originales.

Solamente así se garantiza la seguridad de la herramienta eléctrica.

## Instrucciones de seguridad adicionales para la podadora Alligator™

**¡Atención!** No utilice nunca la herramienta por encima de la altura de los hombros. Colóquese siempre en una posición alejada de las ramas y los restos que caen.

**¡Atención!** No utilice esta herramienta para talar árboles.

- ◆ Mantenga siempre todas las partes de su cuerpo y la ropa alejadas de la cadena de la sierra. Sujete la herramienta delante de usted y preste atención a la posición de la cadena de la sierra, especialmente cuando corte ramas cerca del suelo. Antes de encender la herramienta, asegúrese de que la cadena de la sierra no esté en contacto con ningún objeto.
- ◆ Planifique de antemano una ruta de salida segura para evitar que le caigan encima ramas y restos. Compruebe que no haya obstáculos en la ruta de salida que puedan impedir o dificultar sus movimientos. Recuerde que la hierba mojada y las cortezas recién cortadas son resbaladizas.
- ◆ Tenga en cuenta la dirección en la que pueden caer las ramas. Considere todas las condiciones que puedan influir en la dirección de caída, incluidas las siguientes:
  - La dirección de caída prevista.
  - La inclinación natural de la rama.
  - Cualquier putrefacción o estructura de rama pesada y poco común.
  - Árboles circundantes y obstáculos como líneas de teléfono o de tendido eléctrico.
  - La velocidad y dirección del viento.
- ◆ La distancia segura entre una rama o los restos que se van a talar y las personas, edificios y otros objetos es como mínimo 2,5 veces la longitud de la rama. Cualquier persona, edificio u objeto que se encuentre a una distancia menor corre el riesgo de resultar golpeado por la rama al caer.
- ◆ Cuando corte una rama sometida a tensión, tenga en cuenta el efecto de resorte. Cuando se libere la tensión de las fibras de madera, la rama podría golpear al operario y/o arrojar la herramienta fuera de su alcance.
- ◆ Cuando maneje la herramienta, utilice siempre equipo de seguridad adecuado, como botas de seguridad con suelas antideslizantes, casco, gafas de seguridad, protección para los oídos y guantes.
- ◆ Asegúrese de que haya otra persona cerca (a una distancia segura) en caso de accidente.
- ◆ No intente manejar la herramienta mientras se encuentre subido a un árbol o una escalera de mano o sobre otro soporte inestable.
- ◆ Mantenga un apoyo firme sobre el suelo y conserve el equilibrio en todo momento.
- ◆ Sujete la herramienta firmemente con las dos manos mientras el motor esté en marcha.
- ◆ Mantenga las asas secas, limpias y libres de aceite y grasa. Las asas con grasa o aceite son resbaladizas y pueden provocar la pérdida de control.
- ◆ No permita que la cadena en movimiento entre en contacto con ningún objeto en la punta de la barra de guía.



- ◆ Mantenga la cadena de la sierra suficientemente tensa. Compruebe la tensión a intervalos periódicos con el motor parado y el cable desconectado.
- ◆ Empezar y siga cortando únicamente mientras la cadena gire a plena velocidad.
- ◆ Permanezca atento a las ramas movedizas y a otras fuerzas que pudieran cerrar un corte o caer sobre la cadena.
- ◆ Tenga sumo cuidado cuando reanude un corte iniciado anteriormente. Clave los dientes de la mordaza inferior en la madera y espere a que la cadena alcance la máxima velocidad antes de continuar con el corte.
- ◆ El uso de esta herramienta para realizar trabajos diferentes de aquéllos para los que está pensada puede resultar peligroso. Corte únicamente madera. No utilice esta herramienta para fines no previstos. Por ejemplo, no la use para cortar plástico, obras de mampostería y otros materiales de construcción que no sean madera.
- ◆ Si quedan atrapados restos en el dispositivo protector o en la herramienta, deje de utilizarla, desconecte el cable de alimentación y elimine los restos.
- ◆ Las barras de guía y las cadenas desgastadas deben cambiarse.
- ◆ Utilice únicamente barras y cadenas de repuesto especificadas por el fabricante.

En la herramienta aparecen los siguientes símbolos de advertencia:



Leer el manual del usuario.



Evitar que la sierra quede expuesta a la lluvia y que penetren líquidos en su interior.



Utilizar siempre protección para la cabeza, los oídos y los ojos.



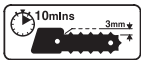
Tener cuidado con los objetos que caen. Mantener alejadas a otras personas.



No utilizar en escaleras de mano.



No tirar este producto a la basura.



Comprobar la tensión de la cadena al cabo de 10 minutos de uso. Ajustarla con un huelgo de 3 mm.



Lubricar la cadena al cabo de 10 minutos de uso.



Advertencia: no tocar la cadena en el punto de salida de las astillas (9).



Dirección de recorrido de la cadena.



Desconectar de inmediato el cable de la toma de corriente si presenta daños o está cortado.

### Seguridad eléctrica



La herramienta lleva un doble aislamiento; por lo tanto no requiere una toma de tierra. Compruebe siempre que la tensión de la red corresponda con el valor indicado en la placa de datos de la herramienta.

### Otras instrucciones de seguridad

- ◆ Este aparato no está pensado para utilizarse sin la supervisión correspondiente en el caso de personas que no cuentan con la edad o fuerza necesarias. Los niños deben vigilarse en todo momento para garantizar que el aparato no se toma como elemento de juego.
- ◆ Si se llegase a dañar el cable de alimentación, deberá ser sustituido por el fabricante o por un centro de asistencia técnica autorizado de Black & Decker para evitar cualquier situación de riesgo.

### Riesgo residual

A pesar de la aplicación de las normas de seguridad oportunas y de la implementación de medidas de seguridad, existen determinados riesgos residuales inherentes al uso de sierras para madera que no se pueden evitar. Son los siguientes:

- ◆ Riesgo de lesiones como consecuencia del contacto con piezas móviles, afiladas y calientes; ramas o restos que caen sobre el operario y otras personas u objetos; y restos que salen despedidos de la herramienta.
- ◆ Riesgo de lesiones como consecuencia del uso para trabajos no previstos; caída de una escalera de mano o posición de trabajo en un árbol; daños causados al cable de alimentación; uso de la herramienta en lugares húmedos o peligrosos; uso del producto por parte de niños o personas débiles; incumplimiento de la recomendación de utilizar protección personal o prendas adecuadas; e inhalación del polvo generado por el corte de madera.

Los anteriores riesgos se han abordado mediante la inclusión de advertencias en las instrucciones de seguridad y/o la aplicación de marcas a la herramienta.

El valor de vibración indicado en este manual es conforme a la prueba estandarizada de la norma EN60745. El operario no debería quedar expuesto a niveles de vibración altos durante periodos prolongados. Las emisiones de vibración de esta herramienta son inferiores a 5 m/s y no superan los límites establecidos por la directiva 2002/44/EC para un funcionamiento continuo durante una jornada de 8 horas.

Las condiciones de funcionamiento reales podrán variar o posiblemente incrementar el nivel de vibración con respecto a los niveles registrados en la prueba estandarizada.

## Contenido

1. Botella de aceite
2. Llave de tuercas
3. Manual del usuario
4. Podadera Alligator™

Como mínimo, se incluyen los elementos indicados.

## Descripción general

5. Interruptores ON/OFF (encendido/apagado)
6. Mordaza superior
7. Mordaza inferior
8. Barra de guía de la cadena
9. Punto de salida de las astillas
10. Tapa de lubricación

## Ajuste de la tensión de la cadena (fig. A)

**¡Atención!** Antes de ajustar la cadena y otros componentes, compruebe que la herramienta está apagada y desenchufada.

**¡Atención!** La barra de guía y la cadena podrán estar calientes después de haber utilizado la herramienta. Deje que se enfríen antes de realizar el ajuste.

El producto se suministra montado. Sin embargo, se recomienda comprobar la tensión de la cadena y las tuercas de retención de la cadena antes de utilizar la herramienta y, si es necesario, ajustarlas.

## Comprobación y ajuste de la tensión de la cadena (fig. A)

Para tensar la cadena, afloje las dos tuercas de retención de la cubierta de la cadena (11) con la llave (2) y el dispositivo tensor empujará la barra de la cadena hacia fuera y ajustará la tensión adecuada. Vuelva a apretar firmemente las dos tuercas de retención (11).

Tire suavemente de la cadena para comprobar que se ha ajustado la tensión adecuada. La tensión es adecuada cuando la cadena vuelve a su posición inicial después de separarla 3 mm de la barra de guía. No debe existir flexión entre la barra de guía y la cadena en la parte inferior.

**Nota:** No tense demasiado la cadena, ya que provocará un desgaste excesivo y se reducirá la vida útil de la barra y de la cadena. También podría reducirse el rendimiento del producto.

**Nota:** Cuando utilice la herramienta por primera vez y cuando la cadena sea nueva, compruebe la tensión con frecuencia, ya que una cadena nueva se expande ligeramente.

## Cambio de la cadena y la barra de la cadena

Después de un uso prolongado podrá ser necesario cambiar la cadena y/o la barra de la cadena. Asegúrese de utilizar únicamente repuestos recomendados por Black & Decker.

## Retirada de la cadena de la sierra y la barra de la cadena (figuras A y B)

**¡Atención!** Utilice siempre guantes de protección cuando instale o retire la cadena de la sierra. La cadena de la sierra está afilada y puede provocar cortes cuando la herramienta no está en funcionamiento.

**¡Atención!** La barra de guía y la cadena podrán estar calientes después de haber utilizado la herramienta. Antes de cambiarlas, deje que se enfríen.

- ◆ Pose la herramienta sobre una superficie sólida.
- ◆ Haga girar las dos tuercas de retención (11) en sentido contrario a las agujas del reloj con la llave (2) suministrada y extráigalas por completo.
- ◆ Retire la tapa de acceso a la cadena (12).
- ◆ Abra las asas y tire hacia atrás de la mordaza superior (6).
- ◆ Tire hacia atrás de la barra de la cadena (8) y, a continuación, levante la cadena de la sierra (9) para sacarla de la ranura de la barra de guía. Podrá entonces retirar la cadena de la unidad.
- ◆ La barra de la cadena se puede arquear hacia arriba y por encima de los pernos.

## Montaje de la barra de la cadena y la cadena (figuras C y D)

**¡Atención!** Utilice siempre guantes de protección cuando instale o retire la cadena de la sierra. La cadena de la sierra está afilada y puede provocar cortes cuando la herramienta no está en funcionamiento.

- ◆ Asegúrese de realizar esta operación sobre una superficie sólida.
- ◆ Abra las asas y tire hacia atrás de la mordaza superior (6).
- ◆ Inserte la barra de la cadena (8) en el espacio entre el tensor de la cadena y el primer perno, y arquee la barra de la cadena hacia abajo sobre los pernos.
- ◆ Coloque la cadena (9) alrededor de la parte delantera de la barra de la cadena y engránela en la rueda dentada de la barra.
- ◆ Tire hacia atrás de la barra de la cadena y de la cadena, encajando ésta en la ranura de la barra y pasándola después por encima de la rueda dentada (14), procurando que los dientes queden colocados en la posición correcta de la rueda.
- ◆ Vuelva a colocar la tapa de acceso a la cadena (12) y las tuercas de retención (11), y apriételas firmemente.

## Uso

**¡Atención!** Deje que la herramienta funcione a su ritmo. No la sobrecargue.

- ◆ Lleve a cabo una limpieza periódica de la unidad de la manera descrita en la sección de mantenimiento, prestando especial atención a la limpieza del interior de la tapa de acceso a la cadena.
- ◆ Las mordazas inferior (7) y superior (6) están diseñadas para cerrarse cuando se suelta una de las asas o una vez cortada la rama. Si no se cierran, deje de utilizar la herramienta y desenchufe el cable de la toma de corriente. Compruebe si existen restos que impiden el movimiento. Para ello, tal vez deba retirar la tapa de acceso a la cadena (12). Si el problema persiste después del montaje, lleve la unidad a un centro de servicio autorizado.

## Lubricación (fig. E)

- ◆ Antes de utilizar la herramienta por primera vez y al cabo de diez minutos de uso, deberá lubricar el producto con el aceite para cadenas adecuado. (nº de catálogo A6027) Abra la tapa de lubricación (10) e inserte la botella en el orificio de llenado de aceite (15); aplique presión a la botella una vez para distribuir el aceite.
- ◆ Esto debería ser suficiente para 10 minutos de corte aproximadamente, en función de la velocidad de corte y el tipo de madera.
- ◆ El orificio distribuye el aceite a la cadena y a la barra de la cadena; si se aplica una cantidad excesiva de aceite a la unidad, goteará en la parte de la mordaza. Esto es normal y no debe ser motivo de preocupación.

## Encendido y apagado

**¡Atención!** No intente nunca trabar o fijar un interruptor de encendido/apagado en la posición de encendido.

Por razones de seguridad, esta herramienta está equipada con un sistema de dos interruptores. Este sistema impide que la herramienta pueda ponerse en marcha accidentalmente.

## Encendido (fig. F)

Sujete firmemente las asas y, a continuación, apriete ambos interruptores para encender la herramienta.

## Apagado (fig. F)

Suelte cualquiera de los interruptores.

**Nota:** Para poder utilizar la herramienta es necesario activar ambos interruptores.

No fuerce la herramienta; deje que haga el trabajo. Hará un trabajo mejor y más seguro a la velocidad para la que se ha diseñado. Si aplica una fuerza excesiva se expandirá la cadena.

Si la cadena de la sierra o la barra se atasca:

- ◆ Apague la herramienta.
- ◆ Desconecte la herramienta de la toma de corriente.
- ◆ Abra el corte con cuñas para disminuir la presión sobre la barra de guía. No intente tirar de la sierra para sacarla del corte. Inicie un corte nuevo.

## Corte de ramas (fig. G)

Asegúrese de que no existen ordenanzas o normas municipales que prohíban o controlen el corte de ramas de árboles.

- ◆ Antes de efectuar un corte, asegúrese de que la herramienta está funcionando a plena velocidad.
- ◆ Sujete la herramienta firmemente para evitar que rebote o se mueva a un lado.
- ◆ Guíe la herramienta ejerciendo una ligera presión.
- ◆ Corte siempre hacia abajo. Así evitará que la cadena de la sierra quede atrapada.
- ◆ Corte las ramas como se muestra en la figura G. Empezando desde la punta de la rama, córtela en trozos pequeños.
- ◆ Retire la herramienta del corte mientras funciona a plena velocidad.

## Mantenimiento

La herramienta de Black & Decker ha sido diseñada para que funcione durante un largo período de tiempo con un mantenimiento mínimo. El funcionamiento satisfactorio continuado depende de un cuidado apropiado y una limpieza periódica de la herramienta.

**¡Atención!** Antes de realizar tareas de mantenimiento o de limpiar la herramienta, desconéctela de la toma de corriente.

## Limpieza

- ◆ Retire periódicamente la tapa de acceso a la cadena y elimine los restos acumulados.
- ◆ Limpie periódicamente las ranuras de ventilación con un cepillo limpio y seco.
- ◆ Para limpiar la herramienta, utilice únicamente jabón suave y un paño húmedo. Evite que penetre líquido en el interior de la herramienta y nunca sumerja ninguna parte de la misma en líquido.

## Lubricación

- ◆ Engrase periódicamente los puntos de lubricación (15) de la manera indicada en la figura B.

## Transporte

- ◆ La herramienta siempre se debe transportar con las mordazas cerradas.

**Almacenamiento**

- ◆ Si la herramienta no se va a utilizar durante varios meses, limpie los componentes metálicos con aceite.
- ◆ Almacene la herramienta en un lugar seguro y seco. La temperatura de almacenamiento siempre debe estar comprendida entre 5 y 40 °C. Coloque el producto en un lugar seguro y nivelado.

**Protección del medio ambiente**



Si llegase el momento en que fuese necesario sustituir la herramienta o si ésta dejase de tener utilidad, debe tener en cuenta la protección del medioambiente. El servicio técnico autorizado de Black & Decker aceptará herramientas Black & Decker ya usadas y se asegurará de desprenderse de ellas de modo que no se perjudique el medioambiente.



La recogida selectiva de productos y embalajes usados permite el reciclaje de materiales y su reutilización. La reutilización de materiales reciclados contribuye a evitar la contaminación medioambiental y reduce la demanda de materias primas.

Las normativas municipales podrían ofrecer la recogida selectiva de productos eléctricos del hogar, en puntos municipales previstos para ello o a través del distribuidor en el caso en que se adquiera un nuevo producto.

Black & Decker proporciona facilidades para la recogida y reciclado de los productos Black & Decker que hayan llegado al final de su vida útil. Para poderlo utilizar, le rogamos entregue el producto en cualquier servicio técnico autorizado quien se hará cargo del mismo en nuestro nombre.

Pueden consultar la dirección de su servicio técnico más cercano poniéndose en contacto con la oficina local de Black & Decker en la dirección que se indica en este manual. Como alternativa, se puede consultar en Internet, en la dirección siguiente, la lista de servicios técnicos autorizados e información completa de nuestros servicios de postventa y contactos: **www.2helpU.com**.

**Características técnicas**

		GK1000	GK1050
Voltaje	V <sub>ca</sub>	230	230
Potencia absorbida	W	550	600
Velocidad de la cadena (sin carga)	m/s	2,3	2,3
Diámetro de corte máximo	mm	100	100
Peso	kg	3	3

**Declaración de conformidad CE**

GK1000/GK1050

Black & Decker declara que estos productos cumplen las normas siguientes:

Directivas 98/37/CE y 89/336/CEE, EN 60745, EN 55014, EN61000, EN60335, directiva 2000/14/CE, sierra de cadena de ≤ 600 W, Anexo V

Nivel garantizado de presión acústica, medido de acuerdo con la directiva 2000/14/CE:

L<sub>pA</sub> (presión acústica) 87 dB(A),

L<sub>wA</sub> (potencia acústica) 98 dB(A),

L<sub>wA</sub> (garantizada) 105 dB(A),

vibraciones soportadas en mano/brazo 2,6 m/s<sup>2</sup>

Kevin Hewitt

Director de Ingeniería del Consumidor  
Spennymoor, County Durham DL16 6JG,

Reino Unido

1-5-2005

La podadora Alligator™ es objeto de solicitudes de patente y de diseño en Europa, Estados Unidos y otros países.

ALLIGATOR es una marca comercial de The Black & Decker Corporation.

## Garantía

Black & Decker confía plenamente en la calidad de sus productos y ofrece una garantía extraordinaria. Esta declaración de garantía es un añadido, y en ningún caso un perjuicio para sus derechos estatutarios. La garantía es válida dentro de los territorios de los Estados Miembros de la Unión Europea y de los de la Zona Europea de Libre Comercio.

Si un producto Black & Decker resultara defectuoso debido a materiales o mano de obra defectuosos o a la falta de conformidad, Black & Decker garantiza, dentro de los 24 meses de la fecha de compra, la sustitución de las piezas defectuosas, la reparación de los productos sujetos a un desgaste y rotura razonables o la sustitución de tales productos para garantizar al cliente el mínimo de inconvenientes, a menos que:

- ◆ El producto haya sido utilizado con propósitos comerciales, profesionales o de alquiler.
- ◆ El producto haya sido sometido a un uso inadecuado o negligente.
- ◆ El producto haya sufrido daños causados por objetos o sustancias extrañas o accidentes.
- ◆ Se hayan realizado reparaciones por parte de personas que no sean los servicios de reparación autorizados o personal de servicios de Black & Decker.

Para reclamar en garantía, será necesario que presente el comprobante de compra al vendedor o al servicio técnico de reparaciones autorizado. Puede consultar la dirección de su servicio técnico más cercano poniéndose en contacto con la oficina local de Black & Decker en la dirección que se indica en este manual. Como alternativa, se puede consultar en Internet, en la dirección siguiente, la lista de servicios técnicos autorizados e información completa sobre nuestros servicios postventa y contactos: **[www.2helpU.com](http://www.2helpU.com)**.

Visite nuestro sitio web **[www.blackanddecker.es](http://www.blackanddecker.es)** para registrar su nuevo producto Black & Decker y mantenerse al día sobre nuestros productos y ofertas especiales.

Encontrará información adicional sobre la marca Black & Decker y nuestra gama de productos en

**[www.blackanddecker.es](http://www.blackanddecker.es)**.

## Utilização

A podadeira Black & Decker Alligator™ foi concebida para podar os ramos de árvores, cortar ramos caídos e cortar troncos pequenos com um diâmetro de 25 mm a 100 mm, quando o operador estiver em pé sobre o solo. Esta ferramenta destina-se apenas a utilização doméstica.

## Regras gerais de segurança

**Advertência!** Leia todas as instruções. O não cumprimento das instruções a seguir pode causar choque eléctrico, incêndio e/ou graves lesões. A expressão "ferramenta eléctrica" utilizada a seguir refere-se a ferramentas eléctricas com ligação à corrente eléctrica (com cabo) ou com bateria (sem fios). **GUARDE BEM ESTAS INSTRUÇÕES.**

### 1. Área de trabalho

**a. Mantenha a área de trabalho limpa e bem iluminada.** Áreas desarrumadas e mal iluminadas são propícias a acidentes.

**b. Não trabalhe com ferramentas eléctricas em áreas com risco de explosão, nas quais se encontrem líquidos, gases ou poeiras inflamáveis.** As ferramentas eléctricas produzem faíscas que podem provocar a ignição de poeiras ou vapores.

**c. Mantenha crianças e outras pessoas afastadas enquanto trabalhar com a ferramenta eléctrica.** Distracções podem provocar perdas de controlo da ferramenta.

### 2. Segurança eléctrica

**a. A ficha da ferramenta eléctrica deve caber na tomada. A ficha não deve ser modificada de modo algum. Não utilize quaisquer fichas adaptadoras com ferramentas eléctricas ligadas à terra.** Fichas sem modificações e tomadas adequadas reduzem o risco de choques eléctricos.

**b. Evite que o corpo entre em contacto com superfícies ligadas à terra, como tubos, radiadores, fogões e frigoríficos.** Existe um risco elevado de choques eléctricos se o corpo estiver ligado à terra.

**c. As ferramentas eléctricas não podem ser expostas a chuva nem humidade.** A penetração de água na ferramenta eléctrica aumenta o risco de choques eléctricos.

**d. Manuseie o fio com cuidado. O cabo não deve ser utilizado para transportar ou pendurar a ferramenta, nem para puxar a ficha da tomada. Mantenha o cabo afastado de calor, óleo, pontas afiadas ou partes móveis.** Cabos danificados ou torcidos aumentam o risco de choques eléctricos.

**e. Quando trabalhar com uma ferramenta eléctrica ao ar livre, utilize um cabo de extensão apropriado para esse fim.** A utilização de um cabo apropriado para áreas ao ar livre reduz o risco de choques eléctricos.

### 3. Segurança pessoal

**a. Mantenha-se alerta, tenha atenção ao que está a fazer e seja prudente quando trabalhar com a ferramenta eléctrica. Não utilize uma ferramenta eléctrica se estiver cansado ou sob a influência de drogas, álcool ou medicamentos.** Um momento de falta de atenção enquanto trabalha com ferramentas eléctricas poderá ter como resultado graves lesões.

**b. Utilize equipamento pessoal de protecção. Utilize sempre óculos de protecção.** Equipamento de segurança como uma máscara de protecção contra poeiras, sapatos de segurança anti-derrapantes, capacete de segurança ou protecção auricular, de acordo com o tipo e a aplicação de ferramenta eléctrica, reduz o risco de lesões.

**c. Evite o accionamento involuntário. Certifique-se de que o interruptor está na posição de desligado antes de ligar à tomada.** Transportar ferramentas eléctricas com o dedo no interruptor ou ligar ferramentas eléctricas à tomada com o interruptor na posição de ligado é uma prática propícia a acidentes.

**d. Retire eventuais chaves de ajustes ou chaves fixas antes de ligar a ferramenta eléctrica.** Uma chave fixa ou qualquer outra chave ligada a uma peça rotativa da ferramenta eléctrica pode provocar lesões.

**e. Não tente chegar a pontos fora do alcance. Mantenha-se sempre bem posicionado e equilibrado.** Assim, controlará melhor a ferramenta eléctrica em situações imprevistas.

**f. Utilize vestuário adequado. Não utilize roupa larga ou jóias. Mantenha o cabelo, a roupa e as luvas afastados de partes móveis.** Roupas largas, jóias ou cabelo comprido podem ser apanhados por partes móveis.

**g. Se forem fornecidos dispositivos para montagem de equipamentos de aspiração e recolha de poeiras, certifique-se de que são ligados e utilizados de forma correcta.** A utilização destes dispositivos pode reduzir os riscos provocados por poeiras.

### 4. Utilização e manutenção da ferramenta eléctrica

**a. Não sobrecarregue a ferramenta eléctrica. Utilize a ferramenta eléctrica adequada ao trabalho pretendido.** A ferramenta eléctrica correcta realizará o trabalho de forma melhor e mais segura, com a potência com que foi concebida.

**b. Não utilize a ferramenta eléctrica se não for possível ligar e desligar o interruptor.** Qualquer ferramenta eléctrica que não possa ser controlada com o interruptor é perigosa e terá de ser reparada.

- c. Desligue a ficha da tomada antes de proceder a ajustes, trocar acessórios ou guardar ferramentas eléctricas.** Estas medidas de prevenção de segurança reduzem o risco de ligação inadvertida da ferramenta eléctrica.
- d. Guarde as ferramentas eléctricas que não estejam a ser utilizadas fora do alcance de crianças e não permita que sejam utilizadas por pessoas que não conheçam essas ferramentas eléctricas nem estas instruções.** As ferramentas eléctricas são perigosas quando utilizadas por pessoas não qualificadas.
- e. Proceda à manutenção das ferramentas eléctricas. Verifique se as partes móveis estão desalinhas ou bloqueadas, se existem peças partidas ou qualquer outra situação que possa afectar o funcionamento das ferramentas eléctricas. Se detectar avarias, repare a ferramenta eléctrica antes de a utilizar.** Muitos acidentes são provocados por falta de manutenção das ferramentas eléctricas.
- f. Mantenha as ferramentas de corte afiadas e limpas.** Ferramentas de corte com a manutenção adequada e extremidades afiadas bloqueiam com menos frequência e são mais fáceis de controlar.
- g. Utilize a ferramenta eléctrica, os acessórios e as pontas, etc. de acordo com estas instruções e da forma determinada para este tipo específico de ferramenta eléctrica, levando em consideração as condições de trabalho e a tarefa a desempenhar.** A utilização da ferramenta eléctrica para fins diferentes dos previstos pode resultar em situações perigosas.

## 5. Reparação

- a. A ferramenta eléctrica deverá ser reparada por técnicos qualificados que utilizem apenas peças de substituição iguais.** Isso garante a manutenção da segurança da ferramenta eléctrica.

### Instruções de segurança adicionais para a podadeira Alligator™

**Advertência!** Nunca utilize a ferramenta acima da altura dos ombros. Desvie-se sempre da trajectória de queda de ramos e detritos.

**Advertência!** Não utilize esta ferramenta para abater árvores.

- ◆ Mantenha todas as partes do corpo e vestuário sempre afastadas da corrente da serra. Segure a ferramenta à sua frente e esteja atento à posição da corrente da serra, em especial quando estiver a cortar ramos junto ao chão. Antes de a ligar, certifique-se de que a corrente da serra não está em contacto com nada.
- ◆ Planeie de antemão uma saída segura para se desviar dos ramos e detritos que caem. Certifique-se de que o caminho de saída não tem quaisquer obstáculos que possam impedir ou afectar o movimento. Lembre-se de que a relva

molhada e as cascas de árvore cortadas recentemente podem ser escorregadias.

- ◆ Esteja atento à direcção possível de queda do ramo. Analise todos os elementos que possam afectar a direcção da queda, incluindo:
  - A direcção pretendida da queda.
  - A inclinação natural do ramo.
  - A existência de alguma estrutura ou apodrecimento de penna pesada.
  - As árvores e obstáculos envolventes, incluindo linhas aéreas.
  - A velocidade e direcção do vento.
- ◆ A distância de segurança entre um ramo a abater e os seus detritos e as pessoas presentes, os edifícios e outros objectos corresponde, no mínimo, a  $2 \frac{1}{2}x$  o comprimento do ramo. Todas as pessoas presentes, edifícios ou objectos que se encontrem dentro desta distância correm o risco de serem atingidos pela queda do ramo.
- ◆ Quando estiver a cortar uma penna sob tensão, esteja atento à recuperação elástica. Quando a tensão das fibras de madeira for libertada, a penna sob tensão pode atingir o operador e/ou provocar o descontrolo da ferramenta.
- ◆ Utilize sempre equipamento de segurança adequado, nomeadamente calçado de segurança antiderrapante, capacete de segurança, óculos de protecção, protecções auditivas e luvas quando estiver a utilizar a ferramenta.
- ◆ Certifique-se de que tem alguém nas imediações (a uma distância segura) na eventualidade de ocorrer um acidente.
- ◆ Não tente operar a ferramenta quando estiver em cima de uma árvore, escada ou de um apoio instável.
- ◆ Mantenha-se sempre bem posicionado e equilibrado.
- ◆ Segure bem a ferramenta com ambas as mãos quando o motor estiver ligado.
- ◆ Mantenha as pegas secas, limpas e sem qualquer óleo ou gordura. As pegas com óleo são escorregadias, podendo provocar a perda de controlo.
- ◆ Não deixe a corrente em movimento entrar em contacto com nenhum outro objecto na ponta da barra de orientação.
- ◆ Mantenha a corrente de corte com a tensão adequada. Verifique a tensão regularmente, com o motor e o cabo desligados.
- ◆ Comece e execute o corte apenas quando tiver a corrente a deslocar-se na velocidade máxima.
- ◆ Preste atenção ao movimento dos ramos ou de outras forças que possam fechar um corte e exercer pressão ou cair na corrente.
- ◆ Tenha muito cuidado quando retomar um corte anterior. Coloque as pontas de ferro da garra inferior junto à madeira e deixe que a corrente atinja a velocidade máxima antes de prosseguir com o corte.

- ◆ A utilização desta ferramenta em operações diferentes daquelas para as quais foi concebida poderá originar situações perigosas. Corte apenas madeira. Não utilize esta ferramenta para fins não planeados - por exemplo - Não utilize a ferramenta para cortar plástico, pedra ou materiais de construção que não sejam de madeira.
- ◆ Se alguns detritos ficarem presos na protecção ou ferramenta, interrompa a sua utilização, desligue o cabo de alimentação e limpe os detritos.
- ◆ As correntes e barras de orientação de correntes gastas devem ser substituídas.
- ◆ Utilize apenas as barras e correntes de substituição indicadas pelo fabricante.

A ferramenta contém os seguintes símbolos de aviso:



Leia o manual do utilizador.



Não utilize a serra sob condições húmidas nem a exponha à chuva.



Utilize sempre protecções para a cabeça, ouvidos e olhos.



Esteja atento à queda de objectos.



Mantenha as outras pessoas afastadas.



Não utilize quando estiver numa escada.



Não elimine o produto num caixote de lixo.



Verifique a tensão da corrente após cada 10 minutos de utilização. Ajuste-a até obter uma folga de 3 mm.



Lubrifique a corrente após cada 10 minutos de utilização.



Não deve tocar na corrente no ponto de eliminação de lascas (9).



Direcção de deslocação da corrente.



Desligue imediatamente o cabo da ficha principal se este ficar danificado ou cortado.

## Segurança eléctrica



Esta ferramenta tem um isolamento duplo e, por isso, não é necessário um fio de terra. Verifique sempre se a fonte de alimentação corresponde à tensão indicada na placa de especificações.

## Instruções de segurança adicionais

- ◆ Esta ferramenta não deve ser utilizada por jovens ou pessoas doentes sem supervisão. Esteja atento às crianças para que não brinquem com a ferramenta.
- ◆ Se o cabo de alimentação for danificado, terá de ser substituído pelo fabricante ou por um centro de assistência autorizada Black & Decker para evitar acidentes.

## Risco residual

Apesar da aplicação das regulamentações de segurança relevantes e da implementação de medidas de segurança, existem alguns riscos residuais associados à utilização de serras de corte de madeira, que não podem ser evitados. Estes são:

- ◆ Risco de lesões provocadas pelo contacto com peças em movimento, peças afiadas, peças quentes, ramos ou detritos que caíam sobre o operador, outras pessoas nas imediações ou na propriedade, bem como por detritos eliminados pela ferramenta.
- ◆ Risco de lesões provocadas por uma utilização não prevista, queda de uma escada ou de uma posição de trabalho numa árvore, danos no cabo de alimentação, utilização da ferramenta em locais húmidos ou perigosos, utilização do produto por crianças ou pessoas doentes, a não utilização de protecções ou vestuário adequado, a respiração de poeira provocada pelo corte de madeira.

Os riscos apresentados acima foram abordados através da inclusão de avisos nas instruções de segurança e/ou marcações aplicadas na ferramenta.

O valor de vibração indicado neste manual está em conformidade com o teste padrão de EN60745. O operador não se deve expor a níveis elevados de vibração durante períodos prolongados. As emissões de vibração desta ferramenta são inferiores a 5m/s e encontram-se dentro dos limites definidos por 2002/44/EC para uma operação contínua num dia de 8 horas. As condições operacionais reais podem variar ou eventualmente aumentar o nível de vibração dos registados no teste padrão.

## Conteúdo

1. Frasco de óleo
2. Chave inglesa
3. Manual do utilizador
4. Podadeira Alligator™

Os elementos anteriores representam o pacote mínimo.

## Visão geral

5. Interruptores para ligar/desligar
6. Garra superior
7. Garra inferior
8. Barra de orientação de corrente
9. Ponto de eliminação de lascas
10. Cobertura para lubrificação



## Ajuste de tensão da corrente (fig. A)

**Advertência!** Antes da montagem da corrente ou de outros ajustes, certifique-se de que a ferramenta está desligada e de que o cabo não está ligado à corrente eléctrica.

**Advertência!** A barra de orientação e a corrente podem ficar quentes após a utilização. Deixe que arrefeçam antes de efectuar o ajuste.

O produto já vem montado. No entanto, recomendamos que verifique a tensão da corrente e as porcas de retenção da corrente antes de o utilizar, e que faça os ajustes necessários.

### Verificar e ajustar a tensão da corrente (fig. A)

Para definir a tensão da corrente, desaparafuse ligeiramente as duas porcas de retenção de cobertura (11) com a chave inglesa (2) e o dispositivo de tensão da corrente irá empurrar a barra da corrente para fora, estabelecendo a tensão correcta. Volte a apertar as duas porcas de retenção (11) com firmeza.

Verifique se foi estabelecida a tensão correcta, puxando ligeiramente a corrente. A tensão é correcta quando a corrente volta à sua posição após ter sido puxada em 3 mm da barra de orientação. Não deve existir nenhuma folga entre a barra de orientação e a corrente na parte inferior.

**Nota:** Não aplique uma tensão excessiva na corrente, pois isto pode provocar um desgaste excessivo e reduzir o tempo de duração da barra e da corrente. Também irá afectar o desempenho do produto.

**Nota:** Quando utilizar o produto pela primeira vez e se a corrente for nova, verifique frequentemente a tensão, pois uma corrente nova tem tendência a esticar ligeiramente.

## Substituir a corrente e a barra da corrente

Após uma utilização prolongada da corrente e / ou barra da corrente, pode ter de a(s) substituir. Certifique-se de que utiliza apenas peças de substituição recomendadas pela Black & Decker.

### Remover a corrente de corte e a barra da corrente (figs. A & B)

**Advertência!** Utilize sempre luvas de protecção durante a instalação ou remoção da corrente de corte. A corrente de corte está afiada e pode cortá-lo quando não estiver a ser utilizada.

**Advertência!** A barra de orientação e a corrente podem ficar quentes após a utilização. Deixe que arrefeçam antes de as substituir.

- ◆ Coloque a ferramenta numa superfície estável.
- ◆ Rode as duas porcas de retenção (11) no sentido inverso ao dos ponteiros do relógio com a chave inglesa (2) incluída e retire-as totalmente.
- ◆ Retire a cobertura de acesso à corrente (12).
- ◆ Abra as pegas e puxe a garra superior (6).

- ◆ Puxe a barra da corrente (8) e em seguida levante a corrente de corte (9) para fora do orifício na barra de orientação. A corrente pode então ser retirada da unidade.
- ◆ A barra da corrente pode posteriormente ser colocada num ângulo mais elevado e sobre os parafusos.

### Montar a barra da corrente e a corrente (figs. C & D)

**Advertência!** Utilize sempre luvas de protecção durante a instalação ou remoção da corrente de corte. A corrente de corte está afiada e pode cortá-lo quando não estiver a ser utilizada.

- ◆ Certifique-se de que a operação é executada numa superfície estável.
- ◆ Abra as pegas e puxe a garra superior (6).
- ◆ Coloque a barra da corrente (8) no espaço entre o tensor de corrente e o primeiro parafuso, incline a barra da corrente para baixo, colocando-a sobre os parafusos.
- ◆ Coloque a corrente (9) em torno da parte frontal da barra da corrente e encaixe-a no dente de roda da ponta da barra da corrente.
- ◆ Puxe a barra da corrente e a corrente para trás, encaixando-a na ranhura da barra da corrente e em seguida sobre o dente de roda (14), posicionando os dentes na posição correcta no dente de roda.
- ◆ Coloque a cobertura de acesso à corrente (12) e as porcas de retenção (11) com firmeza.

## Utilização

**Advertência!** Deixe a ferramenta funcionar à vontade. Não a sobrecarregue.

- ◆ Limpe regularmente a unidade, tal como descrito na secção de manutenção e, em especial, limpe o interior da cobertura de acesso à corrente.
- ◆ A garra inferior (7) e a garra superior (6) foram concebidas para se fecharem quando uma das pegas for libertada ou após a conclusão do corte de um pedaço de ramo. Se isto não suceder, interrompa a utilização da ferramenta e retire a ficha da tomada. Verifique se existem alguns detritos a bloquear o movimento. Para facilitar este processo, pode ser necessário remover a cobertura de acesso à ranhura (12). Se após a montagem, o problema persistir, leve a unidade a um centro de assistência autorizado.

### Lubrificação (fig. E)

- ◆ Antes de utilizar pela primeira vez e em cada dez minutos de utilização, deve lubrificar o produto com o óleo de corrente adequado. (N.º Cat. A6027) Abra a cobertura para lubrificação (10) e introduza o frasco no orifício de enchimento de óleo (15), exercendo alguma pressão no frasco para aplicar o óleo.
- ◆ Isto será suficiente para aproximadamente 10 minutos de corte, consoante a velocidade de corte e o tipo de madeira.

- ◆ O orifício transmite o óleo pela corrente até à barra da corrente e se for aplicada uma quantidade em excesso de óleo na unidade, isso pode fazer com que o óleo verta da unidade em torno da zona da garra. Isto é normal e não representa um motivo de preocupação.

## Ligar e desligar

**Advertência!** Nunca tente bloquear ou fixar um interruptor de ligação na posição de ligado.

Para a sua segurança, esta ferramenta está equipada com um sistema de dois interruptores. Este sistema impede que a ferramenta seja ligada acidentalmente.

### Ligar (fig. F)

Segure as pegas com firmeza e pressione ambos os interruptores de ligação para ligar a unidade.

### Desligar (fig. F)

Desligue um dos interruptores.

**Nota:** Deve ligar ambos os interruptores para poder utilizar o produto.

Não force a ferramenta - deixe que esta execute o trabalho. Irá fazer um trabalho melhor e mais seguro à velocidade para a qual a ferramenta foi concebida. Uma força excessiva irá esticar a corrente.

Se a corrente ou barra de corte ficar encravada:

- ◆ Desligue a ferramenta.
- ◆ Desligue a ferramenta da alimentação principal.
- ◆ Abra o corte com cunhas para aliviar a tensão na barra de orientação. Não tente libertar a serra à força. Inicie um novo corte.

### Podar ramos (fig. G)

Certifique-se de que não existem quaisquer leis ou regulamentações locais que impeçam ou regulem a poda de poadas de árvores.

- ◆ Certifique-se de que a ferramenta está a funcionar à velocidade máxima antes de efectuar um corte.
- ◆ Segure a ferramenta com firmeza na posição de corte para evitar um eventual salto ou deslocamento lateral da ferramenta.
- ◆ Guie a ferramenta, aplicando uma ligeira pressão.
- ◆ Corte sempre de cima para baixo. Desta forma, não exerce pressão sobre a corrente de corte.
- ◆ Retire os ramos tal como indicado na Fig G. Começando pela ponta do ramo, reduza o tamanho do ramo em passos lógicos, cortando secções pequenas.
- ◆ Retire a ferramenta do corte enquanto esta estiver a funcionar na velocidade máxima.

## Maintenance

A sua ferramenta Black & Decker foi concebida para funcionar por um longo período de tempo com uma manutenção mínima. Um funcionamento contínuo e satisfatório depende de uma manutenção adequada e da limpeza regular da ferramenta.

**Advertência!** Antes de executar qualquer acção de manutenção ou limpeza da ferramenta, desligue a unidade da fonte de alimentação.

### Limpeza

- ◆ Retire regularmente a cobertura de acesso à corrente e retire quaisquer detritos que possam ter ficado presos.
- ◆ Limpe regularmente os encaixes de ventilação com uma escova limpa e seca.
- ◆ Para limpar a ferramenta, utilize apenas sabão neutro e um pano húmido. Nunca deixe nenhum líquido entrar na ferramenta e nunca submerja nenhuma parte da ferramenta em líquido.

### Lubrificação

- ◆ Lubrifique regularmente os pontos de lubrificação (15) tal como indicado na figura B.

### Transporte

- ◆ Transporte sempre a ferramenta com as garras fechadas.

### Armazenamento

- ◆ Quando não for utilizar a ferramenta durante vários meses, lubrifique todos os componentes metálicos.
- ◆ Guarde a ferramenta num local seguro e seco. A temperatura de armazenamento deve situar-se sempre entre + 5 °C e + 40 °C. Coloque o produto num local nivelado e seguro.

## Protecção do ambiente



Se algum dia verificar que é preciso substituir a ferramenta ou que esta deixou de ter utilidade, pense na protecção do ambiente. Os agentes de reparação da Black & Decker aceitam ferramentas Black & Decker antigas e garantem que são eliminadas de uma forma segura em termos ambientais.



A recolha separada de produtos e embalagens usados permite que os materiais sejam reciclados e novamente utilizados. A reutilização de materiais reciclados ajuda a evitar a poluição ambiental e reduz a procura de matérias-primas.

A legislação local poderá prever a recolha separada de produtos domésticos eléctricos, seja em lixeiras municipais ou através do revendedor quando adquire um produto novo.

A Black & Decker dispõe de instalações para recolha e reciclagem de produtos Black & Decker quando estes atingem o fim da sua vida útil. Para usufruir deste serviço, devolva o produto em qualquer agente de reparação autorizado, que os recolherá em seu nome.

Pode verificar a localização do agente de reparação autorizado mais perto de si, contactando os escritórios locais da Black & Decker através do endereço indicado neste manual. Se preferir, pode encontrar na Internet uma lista de agentes de reparação autorizados Black & Decker, detalhes completos e contactos do serviço pós-venda, no endereço: [www.2helpU.com](http://www.2helpU.com).

**Dados técnicos**

		GK1000	GK1050
Tensão	V <sub>AC</sub>	230	230
Potência utilizada	W	550	600
Velocidade da corrente (sem carga)	m/s	2.3	2.3
Diâmetro máximo de corte	mm	100	100
Peso	kg	3	3

**Declaração de conformidade CE**

GK1000/GK1050

A Black & Decker declara que estes produtos estão em conformidade com:

98/37/EC, 89/336/EEC, EN 60745, EN 55014, EN61000, EN60335, 2000/14/EC, Serra articulada ≤ 600 W, Anexo V

Nível de pressão acústica garantido, medido em conformidade com 2000/14/EC:

L<sub>PA</sub> (pressão acústica) 87 dB(A),

L<sub>WA</sub> (potência acústica) 98 dB(A),

L<sub>WA</sub> (garantido) 105 dB(A),

vibração medida da mão/do braço 2,6 m/s<sup>2</sup>



Kevin Hewitt  
 Director de Engenharia de Consumo  
 Spennymoor, County Durham DL16 6JG,  
 Reino Unido  
 1-5-2005

**Garantia**

A Black & Decker confia na qualidade dos seus produtos e oferece uma garantia excelente. Esta declaração de garantia é um complemento dos seus direitos estabelecidos por lei, não os prejudicando de forma alguma. A garantia é válida nos territórios do Estados Membros da União Europeia e da Associação Europeia de Comércio Livre.

Se um produto Black & Decker se avariar devido a defeitos de material, fabrico ou não conformidade, num período de 24 meses após a data da compra, a Black & Decker garante a substituição das peças defeituosas, a reparação de produtos sujeitos a um desgaste aceitável ou a substituição dos mesmos para garantir o mínimo de inconvenientes ao cliente, excepto se:

- ◆ O produto tiver sido utilizado para fins comerciais, profissionais ou de aluguer.
- ◆ O produto tiver sido submetido a utilização indevida ou descuido.
- ◆ O produto tiver sido danificado por objectos estranhos, substâncias ou acidentes.
- ◆ Tiverem sido tentadas reparações por pessoas que não sejam agentes de reparação autorizados ou técnicos de manutenção da Black & Decker.

Para accionar a garantia, terá de apresentar comprovativos de compra ao vendedor ou a um agente de reparação autorizado. Pode verificar a localização do agente de reparação autorizado mais perto de si, contactando os escritórios locais da Black & Decker através do endereço indicado neste manual. Se preferir, pode encontrar na Internet uma lista de agentes de reparação autorizados Black & Decker, detalhes completos e contactos do serviço pós-venda, no endereço: [www.2helpU.com](http://www.2helpU.com).

Visite o nosso website [www.blackanddecker.pt](http://www.blackanddecker.pt) para registar o novo produto Black & Decker e manter-se actualizado relativamente a novos produtos e ofertas especiais. Pode encontrar mais informações sobre a marca Black & Decker e nossa gama de produtos em [www.blackanddecker.pt](http://www.blackanddecker.pt).

A podadeira Alligator™ está sujeita a aplicações de patentes e design na Europa, nos Estados Unidos e noutros países em todo o mundo. ALLIGATOR é uma marca comercial de The Black & Decker Corporation.

## Användningsområde

Din Black & Decker Alligator™ Lopper har konstruerats för arbete som användaren utför stående på marken, exempelvis kvistning, kapning av nedfallna grenar och grenar som är 25 till 100 mm i diameter. Sågen är endast avsedd som konsumentredskap.

## Allmänna säkerhetsregler

**Varning!** Samtliga anvisningar ska läsas. Fel som uppstår till följd av att anvisningarna nedan inte följts kan orsaka elchock, brand och/eller allvarliga kroppsskador. Nedan använt begrepp "Elverktyg" hänför sig till nätdrivna elverktyg (med nätsladd) och till batteridrivna elverktyg (sladdlösa). TA VÅL VARA PÅ SÄKERHETSANVISNINGARNA.

1. **Arbetsområde**
  - a. **Håll arbetsplatsen ren och välbelyst.** Oordning på arbetsplatsen och dåligt belyst arbetsområde kan leda till olyckor.
  - b. **Använd inte elverktyget i explosionsfarlig omgivning med brännbara vätskor, gaser eller damm.** Elverktygen alstrar gnistor som kan antända dammet eller gaserna.
  - c. **Håll under arbetet med elverktyget barn och obehöriga personer på betryggande avstånd.** Om du störs av obehöriga personer kan du förlora kontrollen över elverktyget.
2. **Elektrisk säkerhet**
  - a. **Elverktygets stickpropp måste passa till vägguttaget. Stickproppen får absolut inte förändras. Använd inte adapterkontakter tillsammans med skyddsjordade elverktyg.** Oförändrade stickproppar och passande vägguttag reducerar risken för elchock.
  - b. **Undvik kroppskontakt med jordade ytor, t.ex. rör, värmelement, spisar och kylskåp.** Det finns en större risk för elchock om din kropp är jordad.
  - c. **Skydda elverktyget mot regn och vata.** Tränger vatten in i ett elverktyg ökar risken för elchock.
  - d. **Misshandla inte nätsladden. Använd inte sladden för att bära eller hänga upp elverktyget och inte heller för att dra stickproppen ur vägguttaget. Håll nätsladden på avstånd från värme, olja, skarpa kanter och rörliga maskindelar.** Skadade eller tilltrasslade sladdar ökar risken för elchock.
  - e. **Använd när du arbetar med ett elverktyg utomhus endast förlängningssladdar som är godkända för utomhusbruk.** Om en avsedd förlängningssladd för utomhusbruk används minskar risken för elchock.
3. **Personlig säkerhet**
  - a. **Var uppmärksam, se på vad du gör och använd elverktyget med förnuft. Använd inte elverktyget när du är trött eller om du är påverkad av droger, alkohol eller mediciner.** Under användning av elverktyg kan även en kort ouppmärksamhet leda till allvarliga kroppsskador.
  - b. **Använd personlig skyddsutrustning. Bär alltid skyddsglasögon.** Den personliga skyddsutrustningen, t.ex. dammfiltermask, halkfria säkerhetsskor, hjälm eller hörselskydd - med beaktande av elverktygets modell och driftsätt - reducerar risken för kroppsskada.
  - c. **Undvik oavsiktlig igångsättning. Kontrollera att strömbrytaren står i avstängt läge innan du kopplar elverktyget till nätet.** Det kan vara mycket farligt att bära ett elverktyg med fingret på strömbrytaren eller koppla det till nätet med strömbrytaren i till-läge.
  - d. **Ta bort alla inställningsverktyg och skruvnycklar innan du startar elverktyget.** Ett verktyg eller en nyckel i en roterande komponent kan medföra kroppsskada.
  - e. **Sträck dig inte för långt. Se till att du alltid har säkert fotfäste och balans.** På så sätt kan du lättare kontrollera elverktyget i oväntade situationer.
  - f. **Bär lämpliga kläder. Bär inte löst hängande kläder eller smycken. Håll hår, kläder och handskar undan från rörliga delar.** Löst hängande kläder, smycken och långt hår kan dras in av roterande delar.
  - g. **Vid elverktyg med dammutsugnings- och uppsamlingsutrustning, kontrollera att anordningarna är rätt monterade och används på korrekt sätt.** Dessa anordningar reducerar riskerna i samband med damm.
4. **Bruk och skötsel av elverktyg**
  - a. **Överbelasta inte elverktyget. Använd rätt elverktyg för det aktuella arbetet.** Med ett lämpligt elverktyg kan du arbeta bättre och säkrare inom angivet effektområde.
  - b. **Ett elverktyg med defekt strömbrytare får inte användas.** Ett elverktyg som inte kan kopplas till eller från är farligt och måste repareras.
  - c. **Dra stickproppen ur vägguttaget innan inställningar utförs, tillbehörsdelar byts ut eller elverktyget ställs undan.** Denna skyddsåtgärd förhindrar oavsiktlig inkoppling av elverktyget.
  - d. **Förvara elverktygen oåtkomliga för barn. Låt inte elverktyget användas av personer som inte är förtrogna med dess användning eller inte läst denna anvisning.** Elverktygen är farliga om de används av oerfarna personer.

**e. Sköt elverktyget omsorgsfullt. Kontrollera att rörliga komponenter fungerar felfritt och inte kärvar, att komponenter inte brustit eller skadats och inget annat föreligger som kan påverka elverktygets funktioner. Låt skadade delar repareras innan elverktyget används på nytt.** Många olyckor orsakas av dåligt skötta elverktyg.

**f. Håll skärverktyg skarpa och rena.** Omsorgsfullt skötta skärverktyg med skarpa eggar fastnar inte så lätt och går lättare att styra.

**g. Använd elverktyget, tillbehör, insatsverktyg osv. enligt dessa anvisningar och på sätt som föreskrivits för aktuell verktygsmodell. Ta hänsyn till arbetsvillkoren och arbetsmomenten.** Används elverktyget på icke ändamålsenligt sätt kan farliga situationer uppstå.

## 5. Service

**a. Låt elverktyget endast repareras av kvalificerad fackpersonal och med originalreservdelar.** Detta garanterar att elverktygets säkerhet bibehålls.

### Ytterligare säkerhetsinstruktioner för Alligator™ Lopper

**Varning!** Använd aldrig sågen över axelhöjd. Stå alltid själv så att du inte träffas av fallande grenar och skräp.

**Varning!** Använd inte den här sågen för att fälla träd.

- ◆ Håll alltid hela kroppen och alla kläder ur vägen för sågkedjan. Håll sågen framför dig och ge noga akt på sågkedjans läge särskilt när du kapar grenar nära marken. Se till att sågkedjan inte ligger an mot något när du startar.
- ◆ Förbered säker väg bort från fallande grenar och skräp. Se till att vägen är fri från hinder som kan begränsa dina rörelser. Tänk på att vått gräs och nyskalad bark är halt.
- ◆ Var medveten om i vilken riktning grenar kan falla. Överväg alla förhållanden som kan påverka fallriktningen, bland annat:
  - Den tänkta fallriktningen.
  - Grenens naturliga lutning.
  - Alla ovanligt kraftiga eller murkna grenar.
  - Kringsstående träd och hinder, bland annat luftledningarna.
  - Vindhastighet och -riktning.
- ◆ Säkerhetsavståndet mellan grenar och skräp som faller ned och personer som står nära, byggnader och andra föremål är minst 2 1/2 gånger längden på grenen. Alla personer, byggnader och föremål inom detta avstånd löper risk att träffas av den fallande grenen.
- ◆ Var uppmärksam på att en spänd gren som sågas av kan svänga tillbaka. När spänningen i träfibren upphör kan den spända grenen träffa den som sågar och/eller slå sågen ur händerna.

- ◆ Bär alltid lämplig skyddsutrustning, till exempel halksäkra säkerhetsskor, skyddshjälm, skyddsglasögon, hörselskydd och handskar, när du använder sågen.
- ◆ Se till att det finns någon i närheten (på säkert avstånd) ifall det händer en olycka.
- ◆ Använd inte sågen uppe i ett träd, när du står på en stege eller på något annat ostadigt underlag.
- ◆ Se till att du alltid har bra fotfäste och säker balans.
- ◆ Håll sågen stadigt med båda händerna när motorn är i gång.
- ◆ Håll handtagen torra, rena och fria från olja och fett. Oljiga handtag är hala och gör sågen okontrollerbar.
- ◆ Låt inte den löpande kedjan komma emot något föremål vid spetsen av svärdet.
- ◆ Håll kedjan korrekt spänd. Kontrollera spänningen regelbundet med motorn avstängd och sladden utdragen.
- ◆ Börja och fortsätt såga bara när kedjan går med full fart.
- ◆ Se upp för korsande grenar eller annat som kan stoppa sågningen och nypa fast eller falla ned på kedjan.
- ◆ Var ytterst försiktig när du fortsätter en tidigare påbörjad sågning. Använd taggarna på sågens underkäke vid sågning i trä och låt kedjan få full fart innan du fortsätter att såga.
- ◆ Användning av sågen för andra än avsedda ändamål kan leda till riskfyllda situationer. Såga endast i trä. Använd inte sågen för sådant som den inte är avsedd för, till exempel sågning i plast, murverk eller byggnadsmaterial som inte är av trä.
- ◆ Stanna sågen om något skräp fastnar på skyddet eller själva sågen; bryt strömmen och ta bort skräpet.
- ◆ Nötta kedjor och svärd bör bytas ut.
- ◆ Använd bara sådana utbytessvärd och -kedjor som tillverkaren anger.

Följande varningssymboler finns på sågen:



Läs bruksanvisningen.



Använd inte sågen i väta och utsätt den inte för regn.



Använd alltid skydd för huvud, hörsel och ögon.



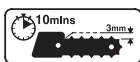
Se upp för fallande föremål.  
Håll åskådare borta.



Använd inte sågen när du står på en stege.



Kasta inte sågen i en soptunna.



Kontrollera kedjespänningen var 10:e minut vid användning. Justera den till ett spelrum på 3 mm.



Smörj kedjan var 10:e minut vid användning.



Varning! Rör inte kedjan vid spånutkastet (9).



Rörelseriktning för kedjan.



Dra omedelbart ur sladden om den skadas eller sågas av.

## Elektrisk säkerhet



Eftersom verktyget är dubbelisolerat behövs ingen jordledare. Kontrollera alltid att nätspänningen överensstämmer med värdet på typskylten.

## Ytterligare säkerhetsinstruktioner

- ◆ Apparaten är inte avsedd att användas av unga eller oerfarna personer utan övervakning. Barn måste hållas under uppsikt så att de inte leker med verktyget.
- ◆ Om nätsladden är skadad måste den för undvikande av fara bytas ut av tillverkaren eller en auktoriserad Black & Decker-verkstad.

## Övriga risker

Trots att relevanta säkerhetsföreskrifter tillämpas och säkerhetsåtgärder vidtas är vissa risker fortfarande förknippade med sågning i trä och kan inte undvikas. De är:

- ◆ Risk för skador genom kontakt med rörliga, vassa eller heta delar, grenar eller skräp som faller ned på användaren, kringstående personer eller egendom, skräp som kastas ut från sågen.
- ◆ Risk för skador finns vid oavsiktlig användning, fall från stege eller träd, skada på elkabeln, användning av sågen i väta eller på riskfyllda platser, barns eller klens personers användning av sågen, underlåtenhet att bära lämpliga personliga skydd eller lämplig klädsel, inandning av damm från sågat trä.

Uppmärksamheten har riktats mot ovanstående risker genom varningar i säkerhetsinstruktioner och/eller genom märkning på redskapet.

Det vibrationsvärde som anges i bruksanvisningen är i överensstämmelse med standardtestet EN60745.

Användaren bör inte utsätta sig för kraftig vibration under längre tid. Vibrationen som det här redskapet ger ligger under 5 m/s och inom den gräns som har satts i 2002/44/EC för kontinuerligt arbete under en åttatimmarsdag. De faktiska arbetsförhållandena kan variera eller möjligen öka vibrationen över de nivåer som noterats vid standardtestet.

## Innehåll

1. Oljeflaska
2. Skruvnyckel
3. Bruksanvisning
4. Alligator™ Lopper

Ovanstående ingår som minimum.

## Översikt

5. Strömbrytare
6. Överkäke
7. Underkäke
8. Kedjesvärd
9. Spånutkastningspunkt
10. Oljelock

## Justering av kedjespänning (fig A)

**Varning!** Se till att sågen är avstängd och elkabeln utdragen innan kedjan eller något annat justeras.

**Varning!** Svärdet och kedjan kan bli varma efter användning. Låt dem svalna före justering.

Sågen levereras sammansatt och klar. Men vi rekommenderar att du före användning kontrollerar om kedjespänningen och retensionsmuttrarna behöver justeras.

## Kontroll och justering av kedjespänning (fig A)

Lossa de två retensionsmuttrarna (11) med nyckeln (2) när kedjan ska spännas, så skjuter kedjesträckaren ut svärdet och rätt spänning ställs in. Skruva sedan åt de båda retensionsmuttrarna (11) ordentligt.

Kontrollera att den rätta spänningen har ställts in genom att dra lätt i kedjan. Kedjan är rätt spänd när den snäpper tillbaka efter att ha dragits ut 3 mm från svärdet. På undersidan ska det inte vara något "häng" mellan svärdet och kedjan.

**Obs!** Spänn inte kedjan för hårt eftersom det ger ökad förslitning och minskar svärdets och kedjans livslängd. Det minskar också sågens prestanda.

**Obs!** Kontrollera kedjespänningen ofta när sågen används första gången och när kedjan är ny, eftersom en ny kedja lätt sträcks.

## Byte av kedja och svärd

Efter längre användning kan kedjan och/eller svärdet behöva bytas. Se till att av Black & Decker rekommenderade reservdelar används.

## Ta bort sågkedjan och svärdet (fig A och B)

**Varning!** Använd alltid skyddshandskar när sågkedjan monteras eller tas bort. Kedjan är vass och kan skära dig även när den inte är i rörelse.

**Varning!** Svärdet och kedjan kan bli varma efter användning. Låt dem svalna innan de byts.

- ◆ Lagg sågen på ett stabilt underlag.
- ◆ Vrid de två retensionsmuttrarna (11) motsols med den bifogade nyckeln (2) och ta bort dem helt.
- ◆ Ta bort kedjehöjlet (12).
- ◆ Öppna handtagen och dra tillbaka överkäken (6).
- ◆ Dra tillbaka svärdet (8) och lyft sedan ut kedjan (9) ur spåret på svärdet. Kedjan kan sedan tas bort från enheten.
- ◆ Svärdet kan därefter vinklas upp och över bultarna.

### Montering av svärd och kedja (fig C och D)

**Varning!** Använd alltid skyddshandskar när sågkedjan monteras eller tas bort. Kedjan är vass och kan skära dig även när den inte är i rörelse.

- ◆ Se till att arbeta på ett stabilt underlag.
- ◆ Öppna handtagen och dra tillbaka överkäken (6).
- ◆ Sätt in svärdet (8) i utrymmet mellan kedjesträckaren och den första bulten och vik ned svärdet över bultarna.
- ◆ Lagg kedjan (9) runt svärdet och för in svärdets noskuggar.
- ◆ Dra tillbaka svärdet med kedjan och för in den i spåret i svärdet och sedan över kedjekransen (14) och passa in kuggarna rätt på kransen.
- ◆ Sätt tillbaka kedjehöjlet (12) och retensionsmuttrarna (11) och dra åt dem ordentligt.

### Användning

**Varning!** Låt sågen arbeta i sin egen takt. Överbelasta den inte.

- ◆ Rengör sågen regelbundet enligt anvisningarna i avsnittet om underhåll och rengör särskilt insidan av kedjehöjlet.
- ◆ Underkäken (7) och överkäken (6) stängs när något av handtagen släpps eller när en kvist har sågats av. Sluta använda sågen om de inte stängs och dra ut elkabeln. Kontrollera om det är något skräp som hindrar stängningen. För att göra detta kan det bli nödvändigt att ta bort kedjehöjlet (12). Lämna sågen till en auktoriserad verkstad om problemet kvarstår efter hopsättningen.

### Smörjning (fig E)

- ◆ Kedjan måste smörjas med rätt kedjesmörjolja före första användning och var 10:e minut under användning. (Cat No A6027) Öppna oljelocket (10) och stoppa in flaskan i oljepåfyllningshålet (15). Tryck på flaskan en gång för att få ut olja.
- ◆ Den bör räcka för omkring 10 minuters sågning beroende på såghastighet och typ av trä.
- ◆ Genom hålet fördelas oljan över kedjan och svärdet. Alltför mycket olja kan göra att det droppar olja från enheten runt käkarna. Detta är normalt och ingenting att oroa sig för.

### Slå på och av

**Varning!** Försök aldrig låsa eller fixera strömbrytaren i läge på.

Sågen är för din säkerhet utrustad med dubbelt strömbrytarsystem. Det förhindrar att sågen kan startas av misstag.

### Slå på (fig F)

Se till att du har ett stadigt grepp om handtagen och krama sedan båda strömbrytarna för att starta sågen.

### Slå av (fig F)

Släpp någon av strömbrytarna.

**Obs!** Båda strömbrytarna måste vara aktiverade för att sågen ska kunna användas.

Tvinga inte sågen – låt den göra jobbet. Arbetet görs bättre och säkrare i den hastighet som sågen är konstruerad för. Vid för hårt tryck sträcks kedjan.

Om sågkedjan eller svärdet kläms:

- ◆ Stanna sågen.
- ◆ Koppla bort den från elnätet.
- ◆ Öppna sågspåret med kilar för att minska trycket på svärdet. Försök inte vrida loss sågen. Såga upp ett nytt spår.

### Kvistning (fig G)

Kontrollera att det inte finns några lokala förordningar eller bestämmelser som förbjuder eller styr kvistning av träd.

- ◆ Se till att sågen har full fart innan du börjar såga.
- ◆ Håll sågen stadigt på plats för att undvika att den gör kast eller flyttar sig åt sidan.
- ◆ Styr sågen med bara ett lätt tryck.
- ◆ Börja alltid såga uppifrån. Då undviker du att sågkedjan kläms.
- ◆ Såga av grenar så som visas i fig G. Börja från grenens topp och kapa den i lagom långa bitar.
- ◆ Lyft sågen från den avsågade grenen medan den går med högsta fart.

### Underhåll

Detta Black & Decker-verktyg har tillverkats för att fungera under lång tid med ett minimum av underhåll. Med rätt underhåll och regelbunden rengöring behåller verktyget sin prestanda.

**Varning!** Dra ut elkabeln innan du gör något underhåll på eller rengör sågen.

### Rengöring

- ◆ Ta regelbundet bort höljet över kedjan och avlägsna allt skräp som har fastnat.
- ◆ Rengör regelbundet ventilationsöppningen med en ren och torr målarborste.
- ◆ Använd bara mild tvål och dammtrasa för att rengöra sågen. Låt aldrig någon vätska komma in i sågen och doppa den aldrig i någon vätska.

### Smörjning

- ◆ Smörj regelbundet smörjpunkterna (15) som visas i figur B.

### Transport

- ◆ Transportera alltid sågen med kåkarna stängda.

### Förvaring

- ◆ Torka av alla metalldelar med olja när sågen inte ska användas under längre tid (månader).
- ◆ Förvara sågen på ett säkert och torrt ställe. Temperaturen i förvaringsutrymmet måste alltid ligga mellan + 5 °C och + 40 °C. Placera sågen på en plats som inte kan tippa.

### Miljö



När ditt verktyg är utslitet, skydda naturen genom att inte slänga det tillsammans med vanligt avfall. Black & Decker-verkstäder tar emot gamla Black & Decker-verktyg och ser till att de omhändertas på ett miljövänligt sätt.



Insamling av uttjänta produkter och förpackningsmaterial gör att material kan återanvändas. Användning av återvunnet material minskar föroreningar av miljön och behovet av råmaterial.

Lokala föreskrifter kan kräva separat insamling av elprodukter från hushållen, vid kommunala samlingsplatser eller hos återförsäljaren när du köper en ny produkt.

Black & Decker samlar in och återvinner uttjänta Black & Decker-produkter. Om du vill utnyttja denna tjänst återlämnar du produkten till en auktoriserad verkstad, som samlar in den för vår räkning.

För information om närmaste auktoriserade verkstad, kontakta det lokala Black & Decker-kontoret på den adress som är angiven i bruksanvisningen. En lista på alla auktoriserade verkstäder samt servicevillkor finns även tillgängliga på Internet: [www.2helpU.com](http://www.2helpU.com).

### Tekniska data

		GK1000	GK1050
Spänning	$V_{AC}$	230	230
Ineffekt	W	550	600
Kedjehastighet (utan belastning)	m/s	2,3	2,3
Maxdiameter för sågning	mm	100	100
Vikt	kg	3	3

### EC-förklaring om överensstämmelse

GK1000/GK1050

Black & Decker förklarar att dessa produkter överensstämmer med:

89/37/EC, 89/336/EEC, EN 60745, EN 55014, EN61000, EN60335, 2000/14/EC, Chainsaw  $\leq$  600 W, Bilaga V

Garanterad ljudnivå, mätt enligt 2000/14/EC:

$L_{pA}$  (ljudnivå) 87 dB(A),

$L_{WA}$  (akustisk effekt) 98 dB(A),

$L_{WA}$  (garanterad) 105 dB(A),

vibrationspåverkan på hand/arm 2,6 m/s<sup>2</sup>

Kevin Hewitt  
Director of Consumer Engineering  
Spennymoor, County Durham DL16 6JG,  
Storbritannien  
1-5-2005

Alligator™ Lopper är patent- och mönsterskyddad i Europa, USA och andra länder runt om i världen. ALLIGATOR är registrerat varumärke tillhörande Black & Decker Corporation.



## Garanti

Black & Decker garanterar att produkten är fri från material- och/eller fabrikationsfel vid leverans till kund. Garantin är i tillägg till konsumentens lagliga rättigheter och påverkar inte dessa. Garantin gäller inom medlemsstaterna i Europeiska Unionen och i det Europeiska Frihandelsområdet.

Om en Black & Decker-produkt går sönder på grund av material- och/eller fabrikationsfel eller brister i överensstämmelse med specifikationen, inom 24 månader från köpet, åtar sig Black & Decker att reparera eller byta ut produkten med minsta besvär för kunden, förutom om:

- ◆ Produkten har använts i kommersiellt, yrkesmässigt eller uthyringssyfte.
- ◆ Produkten har utsatts för felaktig användning eller skötsel.
- ◆ Produkten har skadats av främmande föremål, ämnen eller genom olyckshändelse.
- ◆ Reparation har utförts av någon annan än en auktoriserad Black & Decker-verkstad.

För att utnyttja garantin skall produkten och inköpskvittot lämnas till återförsäljaren eller till en auktoriserad verkstad senast 2 månader efter det att felet har upptäckts. För information om närmaste auktoriserade verkstad, kontakta det lokala Black & Decker-kontoret på den adress som är angiven i bruksanvisningen. En lista på alla auktoriserade verkstäder samt servicevillkor finns även tillgängliga på Internet: **[www.2helpU.com](http://www.2helpU.com)**.

Besök vår webbplats **[www.blackanddecker.se](http://www.blackanddecker.se)** för att registrera din nya Black & Decker-produkt samt för att erhålla information om nya produkter och specialerbjudanden. Vidare information om märket Black & Decker och vårt produktsortiment återfinns på **[www.blackanddecker.se](http://www.blackanddecker.se)**.

## Bruksområde

Black & Decker Alligator™-kutteren er utformet for å beskjære grenene på trær, dele opp felte grener og dele opp små kubber på 25-100 mm i diameter mens operatøren står på bakken. Verktøyet er tiltenkt kun som konsumentverktøy.

## Generelle sikkerhetsforskrifter

**Advarsel!** Les gjennom alle anvisningene. Hvis anvisningene nedenfor ikke overholdes, kan det medføre elektrisk støt, brann og/eller alvorlige skader. Uttrykket "elektroverktøy" i alle advarslene nedenfor gjelder for strømndrevne elektroverktøy (med ledning) og batteridrevne elektroverktøy (uten ledning). TA GODT VARE PÅ DISSE ANVISNINGENE.

### 1. Arbeidsplassen

- a. **Hold arbeidsområdet rent og godt opplyst.** Rotete arbeidsområder og arbeidsområder uten lys kan føre til ulykker.
- b. **Ikke arbeid med elektroverktøy i eksplosjonsfarlige omgivelser - der det befinner seg brennbare væsker, gass eller støv.** Elektroverktøy forårsaker gnister som kan antenne støv eller damper.
- c. **Hold barn og andre personer unna når elektroverktøyet brukes.** Hvis du blir forstyrret under arbeidet, kan du miste kontrollen.

### 2. Elektrisk sikkerhet

- a. **Støpselet til elektroverktøyet må passe inn i stikkkontakten. Støpselet må ikke forandres på noen som helst måte. Ikke bruk adapterstøpsler sammen med jordede elektroverktøy.** Bruk av originale støpsler og passende stikkontakter reduserer risikoen for elektrisk støt.
- b. **Unngå kroppskontakt med jordede overflater som rør, radiatorer, komfyrer og kjøleskap.** Det er større fare for elektrisk støt dersom kroppen din er jordet.
- c. **Hold elektroverktøy unna regn eller fuktighet.** Dersom det kommer vann i et elektroverktøy, øker faren for elektrisk støt.
- d. **Unngå uforvarlig behandling av ledningen. Elektroverktøyet må aldri bæres eller trekkes etter ledningen, og trekk heller ikke ut støpselet ved å rykke i ledningen. Hold ledningen unna varme, olje, skarpe kanter eller bevegelige deler.** Med skadde eller sammenflokede ledninger øker risikoen for elektrisk støt.
- e. **Når du arbeider utendørs med et elektroverktøy, må du kun bruke en skjøteledning som er godkjent til utendørs bruk.** Ved å bruke en skjøteledning som er egnet for utendørs bruk, reduseres risikoen for elektrisk støt.

### 3. Personssikkerhet

- a. **Vær oppmerksom, pass på hva du gjør og gå fornuftig fram når du arbeider med et elektroverktøy. Ikke bruk elektroverktøy når du er trett eller er påvirket av narkotika, alkohol eller medikamenter.** Et øyeblikks uoppmerksomhet under bruk av verktøyet kan føre til alvorlige personskader.
- b. **Bruk personlig verneutstyr. Bruk alltid vernebriller.** Bruk av personlig verneutstyr, for eksempel støvmaske, sklisliske vemesko, hjelm eller hørselsvern som passer til forholdene, reduserer risikoen for personskader.
- c. **Unngå utilsiktet start av elektroverktøyet. Påse at bryteren står i posisjon "AV" før verktøyet kobles til.** Det kan føre til ulykker hvis du bærer elektroverktøyet med fingeren på bryteren, eller kobler til verktøyet når bryteren ikke står i posisjon "AV".
- d. **Fjern innstillingsverktøy eller skrunøkler før du slår på elektroverktøyet.** Et verktøy eller en nøkkel som befinner seg i en roterende del, kan føre til personskade.
- e. **Ikke strekk deg for langt. Pass på at du alltid har sikkert fotfeste og god balanse.** Da kan du kontrollere elektroverktøyet bedre i uventede situasjoner.
- f. **Bruk alltid egnede klær. Ikke bruk løstsittende klær eller smykker. Hold hår, klær og hansker unna bevegelige deler.** Løstsittende tøy, smykker eller langt hår kan komme inn i bevegelige deler.
- g. **Hvis det kan monteres støvavsug- og oppsamlingsinnretninger, må du forvise deg om at disse er tilkoblet og brukes på korrekt måte.** Bruk av disse innretningene reduserer faren i forbindelse med støv.
4. **Aktsom håndtering og bruk av elektroverktøy**
  - a. **Ikke bruk makt på elektroverktøyet. Bruk et elektroverktøy som er beregnet på den type arbeid du vil utføre.** Med et passende elektroverktøy arbeider du bedre og sikrere i det angitte effektområdet.
  - b. **Ikke bruk elektroverktøy med defekt strømbryter.** Et elektroverktøy som ikke lenger kan slås av eller på med bryteren, er farlig og må repareres.
  - c. **Trekk støpselet ut av stikkkontakten før du utfører innstillinger på elektroverktøyet, skifter tilbehørsdeler eller legger elektroverktøyet bort.** Disse tiltakene reduserer risikoen for en utilsiktet start av elektroverktøyet.
  - d. **Elektroverktøy som ikke er i bruk, må oppbevares utilgjengelig for barn. Ikke la verktøyet brukes av personer som ikke er fortrolig med dette, eller som ikke har lest disse bruksanvisningene.** Elektroverktøyet er farlige når de brukes av uerfarne personer.

- e. Vær nøye med vedlikehold av elektroverktøy.**  
**Kontroller om bevegelige deler fungerer feilfritt og ikke klemmes fast, om deler er brukt eller skadet og andre forhold som kan innvirke på elektroverktøyet funksjon. Hvis elektroverktøyet er skadet, må det repareres før bruk.** Dårlig vedlikeholdte elektroverktøy er årsaken til mange uhell.
- f. Hold skjæreverktøy skarpe og rene.** Godt vedlikeholdte skjæreverktøy med skarpe egger setter seg ikke så ofte fast og er lettere å føre.
- g. Bruk elektroverktøy, tilbehør, bits osv. i henhold til disse anvisningene og slik det er foreskrevet for denne spesielle verktøytypen. Ta hensyn til arbeidsforholdene og arbeidet som skal utføres.** Bruk av elektroverktøy til andre formål enn det som er angitt, kan føre til farlige situasjoner.
- 5. Service**
- a. Elektroverktøyet ditt skal alltid repareres av kvalifisert personell og kun med originale reservedeler.** Dette forsikrer at elektroverktøyet sikkerhet opprettholdes.

**Ekstra sikkerhetsinstruksjoner for Alligator™-kutteren**

**Advarsel!** Verktøyet må aldri brukes over skulderhøyde. Plasser deg alltid slik at du ikke står der grener eller avfall faller ned.

**Advarsel!** Ikke bruk dette verktøyet til felling av trær.

- ◆ Hold alltid alle kroppsdelene og klær unna sagkjeden. Hold verktøyet foran deg, og vær oppmerksom på plasseringen av sagkjeden, spesielt når du kutter grener nær bakken. Før du slår på verktøyet, må du passe på at sagkjeden ikke er i kontakt med noe.
- ◆ Planlegg en trygg måte å komme deg unna fallende grener og avfall på. Kontroller at det ikke er hindringer i veien som kan føre til at du ikke kommer deg unna. Husk at vått gress og nylig kuttet bark er glatt.
- ◆ Vær oppmerksom på hvilke retninger en gren kan falle i. Vurder alle forhold som kan ha innvirkning på fallretningen, inkludert:
  - Den tiltenkte fallretningen.
  - Den naturlige hellingen til grenen.
  - Eventuelle uvanlige og tunge grenstrukturer eller forråtnelse.
  - Trær i nærheten og andre hindringer, inkludert kabler eller ledninger i luften.
  - Vindstyrke og -retning.
- ◆ Trygg avstand mellom grener/avfall som skal felles og personer, bygninger og andre gjenstander er minst 2 1/2 gang grenens lengde. Eventuelle personer, bygninger eller gjenstander innenfor denne avstanden risikerer å bli truffet av den fallende grenen.

- ◆ Når du kutter en gren som står i spenn, må du være oppmerksom på at den kan slå mot deg. Når spennet i trefibrene frigjøres, kan grenen treffe operatøren og/eller slå verktøyet ut av kontroll.
- ◆ Bruk alltid egnet sikkerhetsutstyr, for eksempel antisklisikkerhetssko, hjelm, vernebriller, hørselsvern og hansker når du bruker verktøyet.
- ◆ Sørg for at noen er i nærheten (men på trygg avstand) i tilfelle uhell.
- ◆ Ikke bruk verktøyet når du er oppe i et tre, står på en stige eller står på andre ustabile innretninger.
- ◆ Pass på at du alltid har sikkert fotfeste og god balanse.
- ◆ Hold verktøyet fast med begge hender når motoren er i gang.
- ◆ Hold håndtakene tørre og rene, og pass på at det ikke kommer olje og fett på dem. Oljete håndtak er glatte, og du kan miste kontroll over verktøyet.
- ◆ Ikke la kjeden komme i kontakt med noen gjenstander ytterst på styreskinne.
- ◆ Hold sagkjeden i tilstrekkelig spenn. Kontroller spennet jevnlig når motoren er stoppet og ledningen frakoblet.
- ◆ Begynn og fortsett med kuttingen først når kjeden beveger seg med full hastighet.
- ◆ Se etter bevegelige grener eller andre krefter som kan avbryte en kutting eller falle ned på kjeden.
- ◆ Vær svært forsiktig når du fortsetter med en tidligere kutting. Sett piggene på den nedre kloen inn i tre, og la kjeden nå full hastighet før du fortsetter kuttingen.
- ◆ Bruk av dette verktøyet til andre formål enn det som er angitt, kan føre til farlige situasjoner. Kutt bare i tre. Ikke bruk dette verktøyet til formål det ikke er tiltenkt for. Eksempel: Ikke bruk verktøyet til å kutte plast, mur eller byggematerialer som ikke er av tre.
- ◆ Hvis avfall setter seg fast i beskyttelsesordeningen eller verktøyet stopper opp, må du ta ut strømledningen og fjerne avfallet.
- ◆ Slitte kjeder og styreskinne må byttes ut.
- ◆ Bruk bare erstatningsskinne og -kjeder som produsenten har angitt.

Du finner følgende advarselssymboler på verktøyet:



Les brukerhåndboken.



Ikke bruk sagen i våte omgivelser, ikke la den utsettes for regn.



Bruk alltid hodebeskyttelse, hørselsvern og beskyttelsesbriller.



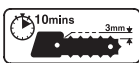
Vær oppmerksom på fallende gjenstander. Hold andre personer unna.



Ikke bruk verktøyet på stiger.



Ikke kast produktet i vanlig avfallsdunk.



Kontroller kjedespenntet hvert tiende minutt. Juster det tilbake til en klaring på 3 mm.



Olje kjeden hvert tiende minutt under bruk.



Advarsel: Ikke berør kjeden i sponutslippsområdet (9).



Kjedens bevegelsesretning.



Ta umiddelbart ledningen ut av støpselet hvis den blir skadet eller kuttet av.

## Elektrisk sikkerhet



Dette apparatet er dobbeltisolert. Jording er derfor ikke nødvendig. Kontroller at spenningen er i overensstemmelse med spenningen på typeskiltet.

## Ekstra sikkerhetsinstruksjoner

- ◆ Dette apparatet skal ikke brukes av barn eller svake personer uten tilsyn. Påse at barn ikke leker med apparatet.
- ◆ Hvis strømledningen blir skadet, må den skiftes av produsenten eller et autorisert Black & Decker-servicenter for å unngå fare.

## Andre former for risiko

Til tross for bruk av relevante sikkerhetsbestemmelser og gjennomføring av sikkerhetstiltak, finnes det visse andre former for risiko forbundet med bruk av sager for kutting av tre. Disse kan ikke unngås. De er:

- ◆ Risiko for skader i forbindelse med kontakt med bevegelige deler, skarpe deler, varme deler, grener eller avfall som faller ned på operatøren, andre personer eller eiendom, avfall som kommer ut av verktøyet.
- ◆ Risiko for skader i forbindelse med ikke tiltenkt bruk, fall fra stige eller arbeidsposisjon i et tre, skade på strømledningen, bruk av verktøyet på våte eller farlige steder, bruk av produktet av små barn eller personer med nedsatt helse, manglende bruk av egnet verneutstyr eller verneklær, innpusting av støv fra trekuttingen.

Risikotypene ovenfor er angitt ved advarsler i sikkerhetsinstruksene og/eller merker på verktøyet.

Vibrasjonsverdien i denne håndboken er i henhold til den standardiserte testen EN60745. Operatøren må ikke utsettes for høye vibrasjonsnivåer over lang tid. Vibrasjonsutslippene for dette verktøyet er under 5 m/s og er innenfor grensene som er angitt i 2002/44/EC for kontinuerlig bruk i løpet av en 8-timersdag. Faktiske bruksforhold kan variere eller muligvis øke vibrasjonsnivået i forhold til det som er registrert i den standardiserte testen.

## Innhold

1. Oljeflaske
2. Skrunøkkel
3. Brukerhåndbok
4. Alligator™-kutteren

Det ovennevnte indikerer et minimum.

## Oversikt

5. Strømbryterutløser
6. Øvre klo
7. Nedre klo
8. Styreskinne for kjede
9. Sponutslippsområde
10. Oljedeksel

## Justering av kjedespenntet (fig. A)

**Advarsel!** Før du justerer kjeden eller andre deler, må du passe på at verktøyet er slått av, og at støpselet er trukket ut.

**Advarsel!** Styreskinnen og kjeden kan være varm etter bruk. La verktøyet avkjøles før justering.

Produktet leveres ferdig montert. Vi anbefaler imidlertid at du kontrollerer kjedespenntet og kjedefesteskrueene før bruk, og om nødvendig justerer dem.

## Kontrollere og justere kjedespenntet (fig. A)

Hvis du skal stramme kjeden, løsner du de to festeskrueene for kjeden (11) med skrunøkkel (2), og enheten for kjedespenntet vil dytte kjedeskinnen ut, slik at riktig spenn blir angitt. Stram de to festeskrueene (11) skikkelig.

Kontroller at riktig spenn er angitt ved å dra lett i kjeden. Spennet er korrekt når kjeden spretter tilbake på plass når den blir trukket 3 mm vekk fra styreskinnen. Det skal ikke være noe "slakk" mellom styreskinnen og kjeden på undersiden.

**Merknad:** Ikke spenn kjeden for mye, da dette vil føre til for stor slitasje, noe som reduserer levetiden for skinnen og kjedet. Det vil også redusere produkttytelsen.

**Merknad:** Ved første gangs bruk og hver gang kjeden er ny må du kontrollere spennet ofte, ettersom en ny kjede strekker seg litt.

## Bytte av kjede og kjedeskinne

Etter langvarig bruk kan det hende du må bytte ut kjeden og/eller kjedeskinnen. Sørg for at du bare bruker erstatningsdeler som anbefales av Black & Decker.

### Ta ut sagkjeden og kjedeskinnen (fig. A og B)

**Advarsel!** Bruk alltid vernehansker når du setter inn eller tar ut sagkjeden. Sagkjeden er skarp og kan kutte deg selv om den ikke er i bevegelse.

**Advarsel!** Styreskinnen og kjeden kan være varme etter bruk. La delene avkjøles før du bytter dem ut.

- ◆ Legg verktøyet på en stabil og solid overflate.
- ◆ Skru de to festeskruene (11) mot klokken med skrunøkkel (2) som følger med, og ta dem helt av.
- ◆ Ta bort kjedetilgangsdekslet (12).
- ◆ Åpne håndtakene, og dra øvre klo bakover (6).
- ◆ Dra kjedeskinnen (8) bakover, og løft deretter sagkjeden (9) ut av fordypningen i styreskinnen. Kjeden kan deretter tas ut av enheten.
- ◆ Kjedeskinnen kan deretter vinkles opp og over boltene.

### Montering av kjedeskinnen og kjeden (fig. C og D)

**Advarsel!** Bruk alltid vernehansker når du setter inn eller tar ut sagkjeden. Sagkjeden er skarp og kan kutte deg selv om den ikke er i bevegelse.

- ◆ Sørg for at operasjonen utføres på en stabil og solid overflate.
- ◆ Åpne håndtakene, og dra øvre klo bakover (6).
- ◆ Sett inn kjedeskinnen (8) i mellomrommet mellom kjedestrammeren og den første boltene, og vinkle kjedeskinnen nedover boltene.
- ◆ Plasser kjeden (9) rundt fronten på kjedeskinnen, og legg den inn i det fremste tannhullet på kjedeskinnen.
- ◆ Dra kjedeskinnen og kjeden bakover, slik at den festes i fordypningen i kjedeskinnen og deretter over tannhullet (14). Plasser taggene i riktig posisjon på tannhullet.
- ◆ Sett kjedetilgangsdekslet (12) og festeskruene (11) på plass igjen, og fest dem godt.

## Bruk

**Advarsel!** La verktøyet jobbe med sin egen hastighet. Ikke overbelast det.

- ◆ Rengjør enheten regelmessig som beskrevet i vedlikeholdsdelen, og rengjør spesielt under kjedetilgangsdekslet.

- ◆ Den nedre (7) og øvre (6) kloen er utformet slik at de lukkes når du slipper ett av håndtakene, eller når grendelen som skal kuttes, er kuttet av. Hvis dette ikke skjer, må du avslutte bruken av verktøyet og ta støpselet ut av kontakten. Kontroller om avfall blokkerer bevegelsen. I den forbindelse kan det være nødvendig å ta av kjedetilgangsdekslet (12). Hvis problemet fortsetter etter at verktøyet er montert på nytt, leverer du det til et autorisert verksted.

### Oljing (fig. E)

- ◆ Før første gangs bruk og hvert tiende minutt under bruk må du olje produktet med riktig kjedeolje (kat.nr. A6027). Åpne oljedekslet (10), og sett flasken inn i oljefyllingshullet (15). Trykk én gang på flasken for å helle i oljen.
- ◆ Dette skal være tilstrekkelig til ca. 10 minutters kutting, avhengig av kuttehastigheten og tretypen.
- ◆ Hullet mater oljen gjennom kjeden til kjedeskinnen, og for mye olje kan føre til at det drypper olje fra enheten rundt kloområdet. Dette er vanlig og ingenting å bekymre seg over.

### Start og stopp

**Advarsel!** Ikke prøv å låse eller feste en bryterutløser i På-stilling.

Av hensyn til din sikkerhet er dette verktøyet utstyrt med et dobbelt brytersystem. Dette systemet hindrer at verktøyet startes ved et uhell.

### Slå på (fig. F)

Pass på at du holder godt fast i håndtakene, og trykk deretter på begge bryterutløserne for å slå på enheten.

### Slå av (fig. F)

Slipp én av bryterne.

**Merknad:** Begge bryterne må være aktivert for at produktet skal kunne brukes.

Ikke tving verktøyet fremover. La det gjøre arbeidet selv. Det vil gjøre en bedre og tryggere jobb hvis det får bruke hastigheten det er utformet for. Hvis du bruker for mye makt, blir kjeden strukket.

Hvis sagkjeden eller skinnen setter seg fast:

- ◆ Slå av verktøyet.
- ◆ Ta støpselet ut av strømforsyningen.
- ◆ Åpne kuttet med kiler for å løse spennet på styreskinnen. Ikke prøv å tvinge sagen fri. Start en ny kutting.

## Beskjære grener (fig. G)

Undersøk at det ikke er noen lokale lover eller bestemmelser som forbyr eller styrer beskjæring av tregrener.

- ◆ Kontroller at verktøyet har nådd full hastighet før du kutter.
- ◆ Hold verktøyet fast for å unngå hopping eller sidelengs bevegelser i verktøyet.
- ◆ Før verktøyet fremover med et lett trykk.
- ◆ Kutt alltid fra toppen og nedover. På den måten vil du unngå å sette sagkjeden i klem.
- ◆ Ta bort grener som vist i figur G. Begynn med grentuppen, og reduser grenen i logiske trinn ved å kutte av små deler.
- ◆ Ta verktøyet bort fra kuttet mens det kjører med full hastighet.

## Vedlikehold

Black & Decker-verktøyet ditt er konstruert for å være i drift over lengre tid med et minimum av vedlikehold. Det er avhengig av godt vedlikehold og regelmessig rengjøring for å fungere som det skal til enhver tid.

**Advarsel!** Før du utfører vedlikehold eller rengjøring av verktøyet, må du ta støpselet ut av strømforsyningen.

## Rengjøring

- ◆ Ta jevnlig bort kjedetilgangsdekselet og fjern eventuelt avfall som har satt seg fast.
- ◆ Rengjør jevnlig ventilasjonssporene med en ren, tørr malerkost.
- ◆ Du rengjør verktøyet med en mild såpe og en fuktig klut. La det aldri sive væske inn i verktøyet, og senk aldri noen deler av verktøyet ned i væske.

## Oljning

- ◆ Olje jevnlig oljepunktene (15), som angitt i figur B.

## Transport

- ◆ Transporter alltid verktøyet med lukkede klør.

## Oppbevaring

- ◆ Når verktøyet ikke skal brukes på flere måneder, smører du alle metalldeleer med olje.
- ◆ Oppbevar verktøyet på et sikkert og tørt sted. Oppbevaringstemperaturen må alltid være mellom + 5 °C og + 40 °C. Plasser produktet på et jevnt og trygt sted.

## Miljø



Når verktøyet er utslitt, bør det kasseres på en miljøvennlig måte. Black & Decker-serviceverkstedene tar i mot gamle Black & Decker-verktøy og kasserer dem på en miljømessig forsvarlig måte.



Hvis brukte produkter og emballasje leveres atskilt, kan materialer resirkuleres og brukes på nytt. Resirkulering av brukte produkter gir redusert miljøforurensning og mindre behov for råmaterialer.

Det kan være lokale bestemmelser for egen innsamling av elektriske produkter fra husstander, på kommunale avfallsplasser eller hos forhandleren når du kjøper et nytt produkt.

Black & Decker tar i mot brukte Black & Decker-produkter for resirkulering. Du kan levere produktet til et autorisert serviceverksted.

Du kan finne nærmeste autoriserte serviceverksted ved å kontakte ditt lokale Black & Decker-kontor på adressen som er oppgitt i denne brukerhåndboken. Det finnes også en liste over autoriserte Black & Decker-serviceverksteder og opplysninger om ettersalgsservice og kontakter på Internett:

**www.2helpU.com.**

## Tekniske data

	GK1000	GK1050
Spenning	V <sub>AC</sub> 230	230
Inn-effekt	W 550	600
Kjedehastighet (uten belastning)	m/s 2,3	2,3
Maksimal kuttediameter	mm 100	100
Vekt	kg 3	3

## Samsvarserklæring for EU

GK1000/GK1050

Black & Decker erklærer at disse produktene overholder: 98/37/EC, 89/336/EEC, EN 60745, EN 55014, EN61000, EN60335, 2000/14/EC, Motorsag ≤ 600 W, vedlegg V Garantert lydtrykksnivå, målt i henhold til 2000/14/EC:

L<sub>pA</sub> (lydtrykk) 87 dB(A),

L<sub>WA</sub> (akustisk effekt) 98 dB(A),

L<sub>WA</sub> (garantert) 105 dB(A),

hånd/arm-vektet vibrasjon 2,6 m/s<sup>2</sup>

Kevin Hewitt

Direktør for forbrukerteknikk

Spennymoor, County Durham DL16 6JG,

Storbritannia

1-5-2005

Alligator™-kutteren er underlagt patent- og designsøknader i Europa, USA og andre land over hele verden. ALLIGATOR er et varemerke for The Black & Decker Corporation.

## Garanti

Black & Decker er trygg på kvaliteten i sine produktet og tilbyr en enestående garanti. Denne garantierklæringen kommer i tillegg til dine lovbestemte rettigheter, og er ikke i konflikt med disse. Garantien er gyldig i EU- og EFTA-medlemsstatene.

Hvis et Black & Decker-produkt går i stykker på grunn av material- og/eller fabrikkasjonsfeil eller har mangler i forhold til spesifikasjonene, innen 24 måneder fra kjøpet, påtar Black & Decker seg å skifte ut defekte deler, reparere produkter som har vært utsatt for alminnelig slitasje, eller bytte ut slike produkter med minst mulig vanskelighet for kunden, med mindre:

- ◆ produktet har vært brukt i yrkes-/næringsvirksomhet eller til utleie.
- ◆ produktet har vært utsatt for feilaktig bruk eller mislighold.
- ◆ produktet har blitt skadet av fremmede gjenstander eller stoffer eller ved et uhell.
- ◆ reparasjoner er forsøkt utført av andre enn autoriserte serviceverksteder eller Black & Deckers serviceteknikere.

For å ta garantien i bruk skal produktet og kjøpekvitteing leveres til forhandleren eller til et autorisert serviceverksted.

For informasjon om nærmeste autoriserte serviceverksted, kontakt ditt lokale Black & Decker-kontor på den adressen som er angitt i bruksanvisningen. En oversikt over autoriserte serviceverksteder og opplysninger om ettersalgsservice og kontakter er også tilgjengelig på Internett:

**[www.2helpU.com](http://www.2helpU.com).**

Besøk vårt webområde **[www.blackanddecker.no](http://www.blackanddecker.no)** for å registrere ditt nye Black & Decker-produkt og for å holde deg oppdatert om nye produkter og spesialtilbud. Du finner mer informasjon om Black & Decker og produktutvalget vårt på **[www.blackanddecker.no](http://www.blackanddecker.no)**.

## Anvendelsesområde

Din Black & Decker Alligator™ kapsav er designet til beskæring af grene på træer, savning af nedfaldne grene og savning af mindre kævler på 25 mm til 100 mm i diameter, mens brugeren står på jorden. Værktøjet er kun beregnet til privat brug.

## Generelle sikkerhedsregler

**Advarsel!** Læs alle instruktionerne. Hvis nedenstående instruktioner ikke følges, kan der opstå risiko for elektrisk stød, brand og/eller alvorlige personskader. Begrebet "elværktøj", der benyttes i nedenstående advarsler, henviser til netdrevne (med netledning) eller batteridrevne maskiner (uden netledning). DISSE INSTRUKTIONER BØR OPBEVARES TIL SENERE BRUG.

### 1. Arbejdsområde

- a. **Sørg for, at arbejdsområdet er rent og ordentligt oplyst.** Uordentlige og uoplyste arbejdsområder øger faren for uheld.
- b. **Brug ikke elværktøj i eksplosionstruede omgivelser, f.eks. hvor der er brændbare væsker, gasser eller støv.** Elværktøj kan slå gnister, der kan antænde støv eller dampe.
- c. **Sørg for, at børn og andre personer holder sig på afstand, når elværktøjet er i brug.** Hvis man bliver distraheret, kan man miste kontrollen over værktøjet.

### 2. Elektricitet og sikkerhed

- a. **Elværktøjsstik skal passe til stikkontakten. Stikket må under ingen omstændigheder ændres. Brug ikke adapterstik sammen med jordforbundet elværktøj.** Uændrede stik, der passer til stikkontakterne, nedsætter risikoen for elektrisk stød.
- b. **Undgå kropskontakt med jordforbundne overflader som f.eks. rør, radiatorer, komfurer og køleskabe.** Hvis din krop er jordforbundet, øges risikoen for elektrisk stød.
- c. **Elværktøj må ikke udsættes for regn eller fugt.** Indtrængen af vand i elværktøj øger risikoen for elektrisk stød.
- d. **Undgå at ødelægge ledningen. Undgå at bære, trække eller afbryde elværktøjet ved at rykke i ledningen. Beskyt ledningen mod varme, olie, skarpe kanter eller maskindele, der er i bevægelse.** Beskadede eller indviklede ledninger øger risikoen for elektrisk stød.
- e. **Hvis elværktøj benyttes i det fri, skal der benyttes en forlængerledning, som er godkendt til udendørs brug.** Brug af en forlængerledning til udendørs brug nedsætter risikoen for elektrisk stød.

### 3. Personlig sikkerhed

- a. **Det er vigtigt at være opmærksom, holde øje med, hvad man laver, og bruge elværktøjet fornuftigt. Man bør ikke bruge værktøjet, hvis man er træt, har nydt alkohol eller er påvirket af medicin eller euforiserende stoffer.** Få sekunders uopmærksomhed ved brug af elværktøj kan føre til alvorlige personskader.
- b. **Brug sikkerhedsudstyr. Brug altid beskyttelsesbriller.** Brug af sikkerhedsudstyr som f.eks. støvmaske, skridsikkert fodtøj, beskyttelseshjelm eller høreværn nedsætter risikoen for personskader, hvis udstyret anvendes korrekt.
- c. **Undgå utilsigtet igangsætning. Sørg for, at elværktøjets afbryder er i slukket position, før det sluttes til strømmen.** Hvis man bærer elværktøj med fingeren på afbryderen, eller hvis man slutter værktøjet til strømmen, mens afbryderen er i tændt position, er der risiko for ulykker.
- d. **Fjern indstillingsværktøj eller skruenøgle, inden elværktøjet tændes.** Et værktøj eller en nøgle, der efterlades i en roterende del i elværktøjet, kan resultere i personskader.
- e. **Overvurder ikke dig selv. Sørg for, at du altid har sikkert fodfæste og balance.** Det gør det nemmere at kontrollere elværktøjet, hvis der skulle opstå uventede situationer.
- f. **Brug egnet arbejdstøj. Undgå løse beklædningsgenstande eller smykker. Hold hår, tøj og handsker væk fra dele, der bevæger sig.** Bevægelige dele kan gribe fat i løstsiddende tøj, smykker eller langt hår.
- g. **Hvis støvudsugnings- og opsamlingsudstyr kan monteres, er det vigtigt, at dette tilsluttes og benyttes korrekt.** Brug af dette udstyr nedsætter risikoen for støvrelaterede personskader.
4. **Brug og vedligeholdelse af elværktøj**
  - a. **Undgå at overbelaste elværktøjet. Brug altid det rette elværktøj til opgaven.** Med det rigtige elværktøj udføres arbejdet lettere og sikrere og i det tempo, som værktøjet er beregnet til.
  - b. **Brug ikke elværktøjet, hvis afbryderen er defekt.** Elværktøj, der ikke kan kontrolleres med afbryderen, er farligt og skal repareres.
  - c. **Træk stikket ud af stikkontakten inden indstilling, tilbehørsudskiftning eller opbevaring af elværktøjet.** Disse sikkerhedsforanstaltninger reducerer risikoen for utilsigtet start af værktøjet.
  - d. **Opbevar ubenyttet elværktøj uden for børns rækkevidde. Lad aldrig personer, der ikke er fortrolige med elværktøj, eller som ikke har gennemlæst disse instruktioner, benytte maskinen.** Elværktøj er farligt, hvis det benyttes af ukundige personer.



**e. Elværktøj bør vedligeholdes omhyggeligt. Kontroller, om bevægelige dele fungerer korrekt og ikke sidder fast, og om delene er brækket eller beskadiget, således at elværktøjets funktion påvirkes. Få beskadigede dele repareret, inden elværktøjet tages i brug.** Mange uheld skyldes dårligt vedligeholdt elværktøj.

**f. Sørg for, at skæreværktøjer er skarpe og rene.**

Omhyggeligt vedligeholdte skæreværktøjer med skarpe skærekanter sætter sig ikke så hurtigt fast og er nemmere at føre.

**g. Brug elværktøj, tilbehør, indsatsværktøj osv. i overensstemmelse med disse instruktioner, og sådan som det kræves for den pågældende værktøjstype. Tag hensyn til arbejdsforholdene og det arbejde, der skal udføres.** I tilfælde af anvendelse af elværktøjet til formål, som ligger uden for det fastsatte anvendelsesområde, kan der opstå farlige situationer.

## 5. Service

**a. Sørg for, at elværktøjet kun repareres af kvalificerede fagfolk, og at der kun benyttes originale reservedele.** Dermed opretholdes elværktøjets sikkerhed.

## Yderligere sikkerhedsvejledninger for Alligator™ kapsav

**Advarsel!** Brug aldrig værktøjet over skulderhøjde. Stå altid på en sådan måde, at du er i sikkerhed for faldende grene og løse dele.

**Advarsel!** Brug ikke dette værktøj til fældning af træer.

- ◆ Hold altid enhver krops- og beklædningsdel borte fra savkæden. Hold værktøjet foran dig, og vær opmærksom på savkædens position, især hvis der saves grene tæt ved jorden. Før du tænder, skal du sikre, at savkæden ikke er i kontakt med noget.
- ◆ Planlæg på forhånd en sikker undvigerute fra grene og trædele. Sørg for, at undvigeruten er fri for hindringer, der kan forhindre eller hæmme bevægelsesfriheden. Husk, at vådt græs og nyskåret bark er glat.
- ◆ Vær opmærksom på den retning, grene kan falde i. Tag alle forhold, som kan påvirke faldretningen, i betragtning, herunder:
  - Den tilsigtede faldretning.
  - Grenens naturlige hældning.
  - En usædvanligt tung stammestruktur eller forrådnelse.
  - Omkringstående træer og hindringer inkl. el-ledninger.
  - Vindens hastighed og retning.
- ◆ Sikkerhedsafstanden mellem en gren og trædele, der skal skæres ned, og andre personer, bygninger og andre genstande skal være mindst 2 1/2 gange grenens længde. Enhver anden person, bygning eller genstand inden for denne afstand risikerer at blive ramt af den nedfaldende gren.

- ◆ Ved savning i en stammedel, der står under spænding, skal du være opmærksom på eventuel tilbagefjedring. Når spændingen i træfibrene udløses, kan den fjederbelastede stammedel ramme brugeren og/eller bringe værktøjet ud af kontrol.
- ◆ Brug altid egnet sikkerhedsudstyr som f.eks. skridsikket fodtøj, beskyttelseshjelm, sikkerhedsbriller, høreværn og handsker, når der arbejdes med værktøjet.
- ◆ Sørg for, at en anden person er i nærheden (på sikker afstand) i tilfælde af en ulykke.
- ◆ Forsøg ikke at betjene værktøjet, hvis du er oppe i et træ, står på en stige eller står på anden ustabil understøttelse.
- ◆ Sørg for, at du altid har sikkert fodfæste og balance.
- ◆ Hold værktøjet godt fast med begge hænder, når motoren kører.
- ◆ Sørg for, at håndtagene er tørre, rene og fri for olie og fedt. Fedtede og olierede håndtag er glatte og kan føre til tab af kontrollen.
- ◆ Lad ikke den kørende kæde komme i kontakt med nogen genstand ved spidsen af sværdet.
- ◆ Sørg for, at savkæden altid har den rette spænding. Kontroller kædespændingen regelmæssigt med motoren standset og ledningen trukket ud af stikkontakten.
- ◆ Påbegynd og genoptag kun savningen, når kæden bevæger sig med maksimal hastighed.
- ◆ Pas på grene, der flytter sig, eller andre kræfter, der kan lukke savsporet og klemme eller falde ind i kæden.
- ◆ Udvis stor forsigtighed ved genoptagning af savning i et gammelt savspor. Lås spidserne på den nederste kæbe fast i træet, og lad kæden nå fuld hastighed, før der fortsættes med savningen.
- ◆ I tilfælde af anvendelse af dette værktøj til formål, der ligger uden for det fastsatte anvendelsesområde, kan der opstå farlige situationer. Sav kun i træ. Anvend ikke dette værktøj til formål, der ikke er beregnet til - for eksempel - Anvend ikke værktøjet til savning i plastic, murværk eller byggemateriale, der ikke er af træ.
- ◆ Hvis fremmedlegemer kommer til at sidde fast i afskærmningen eller værktøjet, skal arbejdet straks afbrydes, ledningen trækkes ud af stikkontakten og fremmedlegemet fjernes.
- ◆ Slidte kæder og sværd skal udskiftes.
- ◆ Anvend kun udskiftningsværd og -kæder, som er godkendt af producenten.

Værktøjet er forsynet med følgende advarselssymboler:



Læs brugervejledningen.



Anvend ikke saven under våde forhold, og udsæt den ikke for regn.



Brug altid hovedbeskyttelse, høreværn og sikkerhedsbriller.



Vær opmærksom på faldende genstande. Hold andre personer på afstand.



Anvend ikke saven, mens du står på stiger.



Bortskaf ikke produktet som normalt affald.



Kontroller kædespændingen for hver 10 minutters brug. Juster den tilbage til en frigang på 3 mm.



Smør kæden for hver 10 minutters brug.



Advarsel: Berør ikke kæden ved spånudgangen (9).



Kædens bevægelsesretning.



Træk straks ledningen ud af stikkontakten, hvis ledningen beskadiges, eller der saves i den.

## Elektricitet og sikkerhed



Denne maskine er dobbelt isoleret. Derfor er jordledning ikke nødvendig. Kontroller altid, at strømforsyningen svarer til spændingen på typeskiltet.

## Yderligere sikkerhedsvejledninger

- ◆ Dette apparat må ikke bruges af unge eller svagelige personer uden opsyn. Børn skal holdes under opsyn, så det sikres, at de ikke leger med apparatet.
- ◆ Hvis netledningen beskadiges, skal den udskiftes af producenten eller et autoriseret Black & Decker-værksted, så farlige situationer undgås.

## Restrisiko

Til trods for overholdelse af samtlige relevante sikkerhedsbestemmelser og anvendelse af sikkerhedsforholdsregler medfører brugen af save til bearbejdning af træ en række restrisici, som ikke kan undgås. Disse er:

- ◆ Risiko for tilskadekomst på grund af kontakt med bevægelige dele, skarpe dele, varme dele, grene eller trædele, der falder ned på brugeren, andre personer eller ejendom, og løse dele, der kastes ud af værktøjet.
- ◆ Risiko for tilskadekomst på grund af utilsigtet anvendelse, fald fra en stige eller arbejdsposition i et træ, skade på forsyningsledningen, anvendelse af værktøjet på våde eller farlige lokaliteter, unge eller svagelige personers

anvendelse af produktet, undladelse af at bruge egnet udstyr til personbeskyttelse eller egnet påklædning, indånding af støv, som dannes ved savning i træ.

Ovenstående risici er søgt minimeret ved at medtage advarsler i sikkerhedsvejledningerne og/eller markeringer, der er påsat værktøjet.

Vibrationsværdien, der fremgår af denne vejledning, er i overensstemmelse med den standardiserede test i EN60745. Brugeren bør ikke blive udsat for kraftig vibration i længere tidsrum. Værktøjets vibrationsafgivelse ligger under 5 m/s og er således inden for grænserne i 2002/44/EC for kontinuerlig drift på en 8-timers dag. De faktiske driftsbetingelser kan variere og muligvis forøge vibrationsniveauet i forhold til resultatet af standardtesten.

## Indhold

1. Olieflaske
2. Skruenøgle
3. Brugervejledning
4. Alligator™ kapsav

Ovenstående medfølger som minimum.

## Oversigt

5. Afbryderaktuatorer
6. Øverste kæbe
7. Nederste kæbe
8. Sværd
9. Spånudgang
10. Smørefafdækning

## Kædespændingsjustering (fig. A)

**Advarsel!** Før justering af kæden eller andre dele skal man sikre sig, at værktøjet er slukket og taget ud af stikkontakten.

**Advarsel!** Sværdet og kæden kan være varme efter brug. Lad dem køle af, før der foretages justering.

Produktet leveres færdigsamlet. Det anbefales imidlertid, at man kontrollerer spændingen på kæden og kædefastgøringsmøtrikkerne før brug og justerer om nødvendigt.

## Kontrol og justering af kædespænding (fig. A)

Kædens spænding justeres ved at løsne de to fastgøringsmøtrikker (11) til kædefafdækningen med skruenøglen (2), hvorefter kædejusteringsenheden skubber sværdet ud og indstiller den korrekte spænding. Spænd de to fastgøringsmøtrikker (11) igen, så de sidder ordentligt fast.

Kontroller, at den korrekte spænding er indstillet, ved at trække forsigtigt i kæden. Spændingen er i orden, hvis kæden springer tilbage efter at være trukket 3 mm fri af sværdet. Kæden må ikke "hænge" i forhold til underkanten af sværdet.

**Bemærk:** Kæden må ikke overspændes, da dette vil medføre kraftig slidage og forkorte sværdets og kædens levetid. Dette vil desuden medføre forringet ydeevne fra produktet.

**Bemærk:** Når saven bruges for første gang, og hvis kæden er ny, skal spændingen kontrolleres ofte, da nye kæder vil strække sig en smule.

## Udskiftning af kæden og sværdet

Efter lang tids brug kan det være nødvendigt at udskifte kæden og/eller kædesværdet. Sørg for, at der kun anvendes reservedele, der er godkendt af Black & Decker.

### Afmontering af savkæden og sværdet (fig. A og B)

**Advarsel!** Anvend altid beskyttelseshandsker ved montering og afmontering af savkæden. Savkæden er skarp, og man kan skære sig på den, selv om den ligger stille.

**Advarsel!** Sværdet og kæden kan være varme efter brug. Lad dem køle af før udskiftningen.

- ◆ Anbring værktøjet på en stabil overflade.
- ◆ Drej de to fastgørmøtrikker (11) imod urets retning vha. den medfølgende skruenøgle (2), og fjern dem helt.
- ◆ Fjern adgangsafdækningen over kæden (12).
- ◆ Åbn håndtagene, og træk den øverste kæbe (6) tilbage.
- ◆ Træk sværdet (8) tilbage, og løft derefter savkæden (9) ud af sporet i sværdet. Kæden kan derefter fjernes fra apparatet.
- ◆ Herefter kan sværdet vinkles op og fri af boltene.

### Montering af sværdet og kæden (fig. C og D)

**Advarsel!** Anvend altid beskyttelseshandsker ved montering og afmontering af savkæden. Savkæden er skarp, og man kan skære sig på den, selv om den ligger stille.

- ◆ Sørg for, at arbejdet udføres på et stabilt underlag.
- ◆ Åbn håndtagene, og træk den øverste kæbe (6) tilbage.
- ◆ Sæt sværdet (8) ind i åbningen imellem kædestrammeren og den første bolt, hvorefter sværdet kan vinkles ned over boltene.
- ◆ Læg kæden (9) omkring forenden af sværdet, og sørg for, at den går i indgreb med tandhullet i spidsen af sværdet.
- ◆ Træk sværdet og kæden tilbage, idet kæden føres ind i sporet i sværdet og derefter over tandhullet (14), så tænderne kommer til at sidde korrekt på tandhullet.
- ◆ Sæt kædeadgangsafdækningen (12) på plads, og spænd fastgørmøtrikkerne (11), så de sidder ordentligt fast.

## Anvendelse

**Advarsel!** Lad værktøjet arbejde i dets eget tempo. Det må ikke overbelastes.

- ◆ Rengør apparatet regelmæssigt som beskrevet i afsnittet om vedligeholdelse, og vær især opmærksom på indersiden af kædeadgangsafdækningen.

- ◆ Den nederste kæbe (7) og den øverste kæbe (6) skal lukke sammen, hvis et af håndtagene slippes, eller når grenen, der saves i, er savet igennem. Hvis dette ikke sker, skal anvendelsen af værktøjet straks afbrydes, og ledningen trækkes ud af stikkontakten. Kontroller, om bevægelsen blokeres af fremmedlegemer. Her kan det være nødvendigt at fjerne kædeadgangsafdækningen (12). Hvis problemet fortsat er til stede efter samling af værktøjet, skal værktøjet indleveres til et autoriseret værksted.

### Smøring (fig. E)

- ◆ Før første ibrugtagning og for hver 10 minutters brug skal produktet smøres med den foreskrevne kædeolie. (Kat.-nr. A6027) Åbn smøreafdækningen (10), og sæt flaskens studs ind i oliepåfyldningshullet (15). Tryk en enkelt gang på flasken for at afgive olie.
- ◆ Dette bør, afhængigt af savehastigheden og træets type, være tilstrækkeligt til omkring 10 minutters savearbejde.
- ◆ Hullet fører olien videre til kæden og sværdet, og hvis der kommer for meget olie i apparatet, kan olien begynde at dryppe fra apparatet omkring kæbeområdet. Dette er normalt og ingen grund til bekymring.

### Start og stop

**Advarsel!** Forsøg aldrig at låse eller fastgøre en afbryderaktuator i den tændte position.

Værktøjet er af hensyn til din sikkerhed udstyret med et dobbelt afbrydersystem. Dette system forhindrer utilsigtet start af værktøjet.

### Start (fig. F)

Sørg for at have godt fat i håndtagene, og tryk derefter på begge afbryderaktuatorer for at tænde apparatet.

### Stop (fig. F)

Slip en af afbryderne.

**Bemærk:** Begge afbrydere skal aktiveres, for at produktet kan bruges.

Overbelast ikke værktøjet - lad værktøjet gøre arbejdet. Værktøjet arbejder bedre og sikrere med den hastighed, det er designet til. Overdreven kraftanvendelse vil strække kæden.

Hvis savkæden eller sværdet kommer i klemme:

- ◆ Sluk værktøjet.
- ◆ Træk værktøjets ledning ud af stikkontakten.
- ◆ Åbn snittet med kiler for at fjerne belastningen fra sværdet. Forsøg ikke at rykke eller vride saven fri. Sav igen et nyt sted.

## Beskæring af grene (fig. G)

Undersøg, om lokale vedtægter eller bestemmelser forbyder eller fastlægger tidsgrænser for beskæring af træer.

- ◆ Sørg for, at værktøjet kører ved fuld hastighed, før der skæres.
- ◆ Hold værktøjet godt fast for at undgå pludselig hoppen eller sideværts bevægelse af værktøjet.
- ◆ Værktøjet skal føres med et let tryk.
- ◆ Skær altid nedad oppefra. På den måde undgås det, at savkæden bliver klemt fast.
- ◆ Fjern grene som vist i fig. G. Begynd fra spidsen af grenen, og afkort den i logiske trin ved at skære små stykker af.
- ◆ Fjern værktøjet fra snittet, mens det kører med fuld hastighed.

## Vedligeholdelse

Dit Black & Decker-værktøj er beregnet til at være i drift gennem en længere periode med minimal vedligeholdelse. Forsat tilfredsstillende drift afhænger af korrekt behandling af værktøjet samt regelmæssig rengøring.

**Advarsel!** Før der udføres vedligeholdelse eller rengøring af værktøjet, skal ledningen trækkes ud af stikkontakten.

### Rengøring

- ◆ Fjern regelmæssigt kædeadgangsafdækningen og fjern eventuelle fremmedlegemer, der måtte være fastklemt.
- ◆ Rengør regelmæssigt ventilationsåbningerne med en ren, tør pensel.
- ◆ Brug kun et mildt afspændingsmiddel og en fugtig klud til at rengøre værktøjet. Lad aldrig væske trænge ind i værktøjet, og nedsænk aldrig nogen del af værktøjet i væske.

### Smøring

- ◆ Smør regelmæssigt smørepunkterne (15), som det fremgår af fig. B.

### Transport

- ◆ Transporter altid værktøjet med kæberne lukket.

### Opbevaring

- ◆ Hvis værktøjet ikke skal bruges i en periode på flere måneder, skal metalkomponenterne aftørres med olie.
- ◆ Opbevar værktøjet på et sikkert og tørt sted. Opbevaringstemperaturen skal ligge imellem + 5 °C og + 40 °C. Anbring værktøjet vandret på et sikkert sted.

## Miljø



Når dit værktøj er udtjent, eller du ikke længere har brug for det, beskyt da naturen ved ikke at smide det ud sammen med det almindelige affald. Black & Decker-værksteder modtager gammelt Black & Decker-værktøj og sørger for, at det bortskaffes på en miljørigtig måde.



Ved adskilt bortskaffelse af brugte produkter og emballage bliver der mulighed for at genanvende forskellige stoffer. Genanvendelse af stoffer medvirker til at forebygge miljøforurening og mindsker behovet for råstoffer.

Lokal lovgivning kan kræve separat indsamling af elprodukter fra husholdningen, ved kommunale affaldsdepoter eller af den detailhandlende ved køb af et nyt produkt.

Black & Decker sørger for at indsamle og genanvende Black & Decker-produkter, når disse ikke længere kan bruges. Hvis du vil benytte dig af denne service, skal du returnere produktet til et autoriseret værksted, der indsamler produkterne for os.

Du kan få oplyst adressen på det nærmeste værksted ved at kontakte den lokale Black & Decker-afdeling på adressen, der fremgår af denne vejledning. Liste over alle autoriserede Black & Decker-serviceværksteder samt servicevilkår og kontaktpersoner er tilgængelig på internettet på adressen: [www.2helpU.com](http://www.2helpU.com).

### Tekniske data

		GK1000	GK1050
Spænding	V <sub>AC</sub>	230	230
Motoreffekt	W	550	600
Kædehastighed (ubelastet)	m/s	2,3	2,3
Maks. skærediameter	mm	100	100
Vægt	kg	3	3

## EU overensstemmelseserklæring

GK1000/GK1050

Black & Decker erklærer, at disse produkter er i overensstemmelse med følgende:

98/37/EC, 89/336/EEC, EN 60745, EN 55014, EN61000,

EN60335, 2000/14/EC, kædesav  $\leq 600$  W, bilag V

Garanteret lydtrykkniveau målt iht. 2000/14/EC:

$L_{pA}$  (lydtryk) 87 dB(A),

$L_{WA}$  (lydintensitet) 98 dB(A),

$L_{WA}$  (garanteret) 105 dB(A),

hånd/arm vægtet vibration 2,6 m/s<sup>2</sup>

Gå venligst ind på vores website

**www.blackanddecker.dk** for at registrere dit nye produkt og for at blive holdt ajour om nye produkter og specialtilbud. Der findes yderligere oplysninger om mærket Black & Decker og vores produktsortiment på adressen **www.blackanddecker.dk**.



Kevin Hewitt  
Director of Consumer Engineering  
Spennymoor, County Durham DL16 6JG,  
Storbritannien  
1-5-2005

Alligator™ kapsaven er omfattet af patent- og designanmeldelser i Europa, USA og andre lande verden over. ALLIGATOR er et varemærke tilhørende Black & Decker Corporation.

## Garanti

Black & Decker garanterer, at produktet er frit for materielle skader og/eller fabrikationsfejl ved levering til kunden. Garantien er et tillæg til forbrugerens lovsikrede rettigheder og påvirker ikke disse. Garantien gælder inden for medlemsstaterne af den Europæiske Union og i det Europæiske Frihandelsområde.

Hvis et Black & Decker-produkt går i stykker på grund af materiel skade og/eller fabrikationsfejl eller på anden måde ikke fungerer i overensstemmelse med specifikationen inden for 24 måneder fra købsdatoen, påtager Black & Decker sig at reparere eller ombytte produktet med mindst mulig ulempe for kunden. Garantien gælder ikke for fejl og mangler, der er sket i forbindelse med:

- ◆ normal slitage
- ◆ uheldige følger efter unormal anvendelse af værktøjet
- ◆ overbelastning, hærværk eller overdrevent intensiv brug af værktøjet eller ulykkeshændelse
- ◆ Garantien gælder ikke, hvis reparationer er udført af nogen anden end et autoriseret Black & Decker-værksted.

For at udnytte garantien skal produktet og købskvitteringen indleveres til forhandleren eller til et autoriseret værksted. Kontakt det lokale Black & Decker-kontor på den adresse, som er opgivet i denne vejledning, for at få oplysninger om det nærmeste autoriserede værksted. En liste over alle autoriserede Black & Decker-serviceværksteder samt servicevilkår er tilgængelig på internettet på adressen:

**www.2helpU.com.**

## Käyttötarkoitus

Black & Decker Alligator™ -okstrimmeri on tarkoitettu puiden oksien karsimiseen, pudonneiden oksien katkaisemiseen ja pienten, halkaisijaltaan 25-100 mm:n halkojen katkaisemiseen käyttäjän seistessä maassa. Kone on tarkoitettu kotikäyttöön.

## Yleiset turvallisuutta koskevat säännöt

**Varoitus!** Kaikki ohjeet täytyy lukea. Alla olevien ohjeiden noudattamisen laiminlyönti saattaa johtaa sähköiskun, tulipaloon ja/tai vakavaan loukkaantumiseen. Seuraavassa käytetty käsite "sähkötyökalu" tarkoittaa verkkokäyttöisiä sähkötyökaluja (verkojohdolla) ja akkukäyttöisiä sähkötyökaluja (ilman verkojohtoa). SÄILYTÄ NÄMÄ OHJEET HYVIN.

### 1. Työalue

- a. **Pidä työalue puhtaana ja hyvin valaistuna.** Työpaikan epäjärjestys ja valaisemattomat työalueet voivat johtaa tapaturmiin.
- b. **Älä käytä sähkötyökalua räjähdysalttiissa ympäristössä, jossa on palavaa nestettä, kaasua tai pölyä.** Sähkötyökalu muodostaa kipinöitä, jotka saattavat sytyttää pölyn tai höyryt.
- c. **Pidä lapset ja sivulliset loitolla sähkötyökalua käyttäessäsi.** Voit menettää laitteesi hallinnan huomiosi suuntautuessa muualle.

### 2. Sähköturvallisuus

- a. **Sähkötyökalun pistotulpan tulee sopia pistorasiaan. Pistotulppaa ei saa muuttaa millään tavalla. Älä käytä mitään pistorasia-adaptoreita maadoitettujen sähkötyökalujen kanssa.** Alkuperäisessä kunnossa olevat pistotulpat ja sopivat pistorasiat vähentävät sähköiskun vaaraa.
- b. **Vältä koskettamasta maadoitettuja pintoja, kuten putkia, pattereita, liesiä tai jääkaappeja.** Sähköiskunvaara kasvaa, jos kehosi on maadoitettu.
- c. **Älä altista sähkötyökalua sateelle tai kosteudelle.** Veden tunkeutuminen sähkötyökalun sisään kasvattaa sähköiskun riskiä.
- d. **Älä käytä verkojohtoa väärin. Älä käytä sitä sähkötyökalun kantamiseen, vetämiseen tai pistotulpan irrottamiseen pistorasiasta. Pidä johto loitolla kuumuudesta, öljystä, terävistä reunoista ja liikkuvista osista.** Vahingoittuneet tai sotkeutuneet johdot kasvattavat sähköiskun vaaraa.
- e. **Käyttäessäsi sähkötyökalua ulkona käytä ainoastaan ulkokäyttöön soveltuvaa jatkojohtoa.** Ulkokäyttöön soveltuvan jatkojohdon käyttö pienentää sähköiskun vaaraa.

### 3. Henkilöturvallisuus

- a. **Ole valpas, kiinnitä huomiota työskentelyysi ja noudata tervettä järkeä sähkötyökalua käyttäessäsi. Älä käytä sähkötyökalua, jos olet väsynyt tai huumeiden, alkoholin tai lääkkeiden vaikutuksen alaisena.** Hetken tarkkaamattomuus sähkötyökalua käytettäessä saattaa johtaa vakavaan loukkaantumiseen.
  - b. **Käytä suojarusteita. Käytä aina suojaraseja.** Suojarusteet, kuten pölynsuojanaamari, luistamattomat turvajalkineet, kypärä ja kuulosuojaimet, pienentävät tilanteen mukaan oikein käytettyinä loukkaantumisriskiä.
  - c. **Vältä sähkötyökalun tahatonta käynnistämistä. Varmista, että kytkin on off-asennossa ennen kytkennän tekemistä.** Onnettomuusvaara lisääntyy, jos kannat sähkötyökalua sommi käyttökytkimellä tai kytket työkalun virtajohdon pistorasiaan, kun käyttökkytkin on päällä.
  - d. **Poista kaikki säätötyökalut ja ruuvitalat, ennen kuin käynnistät sähkötyökalun.** Työkalu tai avain, joka sijaitsee laitteen pyörivässä osassa, saattaa johtaa loukkaantumiseen.
  - e. **Älä kurkota. Seiso aina tukevasti ja tasapainossa.** Täten voit paremmin hallita sähkötyökalua ottamattomissa tilanteissa.
  - f. **Käytä tarkoitukseen sopivia vaatteita. Älä käytä löysiä työvaatteita tai koruja. Pidä hiukset, vaatteet ja käsinneet loitolla liikkuvista osista.** Väljät vaatteet, korut ja pitkät hiukset voivat tarketta liikkuviin osiin.
  - g. **Jos polynimu- tai -keräilylaitteita voidaan asentaa työkaluun, sinun pitää tarkistaa, että ne on liitetty ja että niitä käytetään oikealla tavalla.** Näiden laitteiden käyttö vähentää pölyn aiheuttamia vaaroja.
- ### 4. Sähkötyökalujen käyttö ja hoito
- a. **Älä ylikuormita laitetta. Käytä kyseiseen työhön tarkoitettua sähkötyökalua.** Sopivaa sähkötyökalua käyttäen työskentelet paremmin ja varmemmin tehoalueella, jolle sähkötyökalu on tarkoitettu.
  - b. **Älä käytä sähkötyökalua, jota ei voida käynnistää ja pysäyttää virtakytkimestä.** Sähkötyökalu, jota ei enää voida käynnistää ja pysäyttää käynnistyskytkimellä, on vaarallinen ja se täytyy korjata.
  - c. **Irrota pistotulppa pistorasiasta, ennen kuin suoritat säätöjä, vaihdat tarvikkeita tai siirrä sähkötyökalun varastoitavaksi.** Nämä turvatoimenpiteet pienentävät sähkötyökalun tahattoman käynnistysriskiä.
  - d. **Säilytä sähkötyökalut poissa lasten ulottuvilta, kun niitä ei käytetä. Älä anna sellaisten henkilöiden käyttää sähkötyökalua, jotka eivät tunne sitä tai jotka eivät ole lukeeneet tätä käyttöohjetta.** Sähkötyökalut ovat vaarallisia, jos niitä käyttävät kokemattomat henkilöt.

- e. Hoida sähkötyökalusi huolella. Tarkista, että liikkuvat osat toimivat moitteettomasti eivätkä ole puristuksessa ja että työkalussa ei ole murtuneita tai vahingoittuneita osia, jotka saattaisivat vaikuttaa haitallisesti sen toimintaan. Korjauta mahdolliset viat ennen käyttöönottoa.** Moni tapaturma aiheutuu huonosti huolletuista laitteista.
- f. Pidä leikkausterät terävinä ja puhtaina.** Huolessisesti hoidetut leikkaustyökalut, joiden leikkausreunat ovat teräviä, eivät tartu helposti kiinni, ja niitä on helpompi hallita.
- g. Käytä sähkötyökaluja, tarvikkeita, vaihtotyökaluja jne. näiden ohjeiden mukaisesti ja tavalla, joka on tarkoitettu erityisesti kyseiselle sähkötyökalulle. Ota tällöin huomioon työolosuhteet ja suoritettava toimenpide.** Sähkötyökalun käyttö muuhun kuin sille määrättyyn käyttöön saattaa johtaa vaarallisiin tilanteisiin.
- 5. Huolto**
- a. Anna koulutettujen ja ammattitaitoisten henkilöiden korjata sähkötyökalusi ja hyväksy korjauksiin vain alkuperäisiä varaosia.** Täten varmistat, että sähkötyökalu säilyy turvallisena.

### Lisäturvaohjeet Alligator™ -oksatrimmerille

**Varoitus!** Älä käytä konetta olkapäiden tasoa korkeammalla.

Pysyttele poissa putoavien oksien, lehvistön ja roskien alta.

**Varoitus!** Älä kaada puita tällä työkalulla.

- ◆ Pidä kehon osat ja vaatteet aina loitolla teräketjusta. Pidä työkalua edessäsi ja huomioi teräketjun asento etenkin katkaistessasi lähellä maanpintaa olevia oksia. Ennen virran kytkentää varmista, että teräketju ei kosketa mihinkään esineeseen.
- ◆ Suunnittele etukäteen väistämisuuntasi pois putoavien oksien ja roskien alta. Varmista, että aikomassasi väistämissuunnassa ei ole siirtymistä rajoittavia esteitä. Muista, että märkä ruoho ja juuri irronnut puunkuori on liukasta.
- ◆ Huomioi suunta, johon oksa voi pudota. Mieti etukäteen kaikkia putoamissuuntaan vaikuttavia tilanteita, joita ovat esimerkiksi seuraavat:
  - suunta, johon oksan pitäisi pudota
  - puun kallistuma
  - poikkeuksellisen raskaat oksat tai lahot kohdat
  - ympäröivät puut ja esteet, myös yli kulkevat jännitteiset johdot
  - tuulen nopeus ja suunta.
- ◆ Turvallinen etäisyys katkaistavan oksan ja lehvistön sekä sivullisten, rakennusten ja muiden rakenteiden välillä on vähintään 2,5 kertaa oksan pituus. Putoavat oksat voivat osua tätä etäisyyttä lähempänä oleviin sivullisiin, rakennuksiin tai muihin rakenteisiin aiheuttaen vaaratilanteita.

- ◆ Ole varovainen katkaistessasi jännittyneenä olevaa oksaa, sillä se saattaa ponnahtaa yllättävään suuntaan. Kun puun kuituihin kohdistunut jännitys laukeaa, ponnahtava oksa voi osua käyttäjään ja/tai työkaluun ja aiheuttaa hallinnan menetyksen.
- ◆ Käyttäessäsi työkalua pidä aina yläsi tilanteen edellyttämiä suojavarusteita, kuten luistamattomia turvajalkineita, kypärää, suojalaseja, kuulosuojaimia ja hansikkaita.
- ◆ Pyydä aina toista henkilöä olemaan lähistöllä (turvallisen etäisyyden päässä) onnettomuustilanteen varalta.
- ◆ Älä yritä käyttää työkalua ollessasi puussa, tikapuilla tai seistessäsi epävakaalla telineellä.
- ◆ Seiso aina tukevasti ja tasapainossa.
- ◆ Pidä työkalusta kiinni tukevasti molemmin käsin moottorin käydessä.
- ◆ Kahvojen tulee olla kuivat, puhtaat ja rasvattomat. Rasvaiset tai öljyiset kahvat ovat liukkaat, ja ote heltiää niistä helposti.
- ◆ Ketjun pyöriessä varo, ettei terälevyn kärki osu mihinkään kohteeseen.
- ◆ Pidä teräketju oikealla kireydellä. Tarkista kireys säännöllisesti moottori pysäytettyinä ja virtajohto irrotettuna.
- ◆ Aloita katkaisu ja työskentele vain ketjun pyöriessä täydellä nopeudella.
- ◆ Tarkkaile oksan liikkeitä, sillä katkaisukohtaan saattaa kohdistua voimaa, joka johtaa terän takertumiseen katkaisukohtaan.
- ◆ Ole erittäin varovainen jatkaessasi katkaisua aikaisemmin aloitetusta kohdasta. Tartu alaleuan piikeillä puusta ja jatka katkaisua vasta kun saha on saavuttanut täyden käyntinopeuden.
- ◆ Tämän työkalun käyttö muuhun kuin sille määrättyyn käyttöön saattaa johtaa vaarallisiin tilanteisiin. Käytä työkalua vain oksien ja ohuiden puiden katkaisuun. Älä käytä työkalua muihin tarkoituksiin. Älä katkaise sillä esimerkiksi muovi-, tiili- tai harkkomateriaaleja tai mitään rakennusmateriaalia, joka ei ole puuta.
- ◆ Jos suojukseen tai työkaluun tarttuu roskaa, lopeta käyttö, irrota virtajohto ja puhdista roskat.
- ◆ Uusi kulunut teräketju ja terälevy viipymättä.
- ◆ Käytä varaosina vain valmistajan suosittelemia levyjä ja ketjuja.

Työkalussa on seuraavat varoitusmerkinnät:



Lue käyttöopas.



Älä käytä sahaa sateella tai kosteassa.



Käytä aina kypärää, kuulosuojaimia ja suojalaseja.



Varo putoavia esineitä.

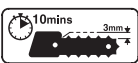
Pidä sivulliset loitolla.



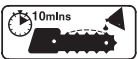
Älä käytä työkalua tikapuilla.



Älä heitä tuotetta roskiin.



Tarkista ketjun kireys 10 minuutin välein. Säädä välykseksi 3 mm.



Lisää ketjun voiteluöljyä 10 minuutin välein.



Varoitus: älä pidä kättä lastujen poistoaukon kohdalla (9).



Ketjun pyörimissuunta.



Jos virtajohto vaurioituu tai katkeaa, irrota se välittömästi sähköverkosta.

## Sähköturvallisuus



Tämä laite on kaksoiseristetty, joten erillistä maadoitusta ei tarvita. Tarkista aina, että virtalähde vastaa arvokilvessä ilmoitettua jännitettä.

## Lisäturvaohteet

- Tätä konetta ei ole tarkoitettu nuorten tai lihasvoimaltaan heikkojen henkilöiden valvottomaan käyttöön. Lapsia on valvottava ja estettävä leikkimästä koneella.
- Jos virtajohto vahingoittuu, sen vaihtaminen tulee turvallisuussyistä jättää valmistajan tai valtuutetun Black & Decker -huollon tehtäväksi.

## Jännönsriski

Asiaan kuuluvien turvamääräysten noudattamisesta ja turvatoimien toteuttamisesta huolimatta puunkatkaisusahojen käyttöön liittyy tiettyjä jännönsriskejä, joita ei voi välttää. Niitä ovat seuraavat:

- Loukkaantumisvaara, jonka aiheuttaa jokin seuraavista: kosketuksiin joutuminen liikkuvien esineiden, terävien esineiden tai kuumien osien kanssa; käyttäjän, sivullisten tai omaisuuden päälle putoavat oksat tai roskat; koneesta lennähtävät roskat.
- Loukkaantumisvaara, jonka aiheuttaa jokin seuraavista: käyttö muussa kuin mainitussa käyttötarkoituksessa; putoaminen tikapuilla tai työasennosta puusta; virtajohdon vaurioituminen; laitteen käyttäjän nuori ikä tai heikko kunto; laiminlyönnit asianmukaisten henkilökohtaisten suojavarusteiden tai -vaatetuksen käytössä; katkaistavasta puusta tulevan pölyn hengittäminen.

Edellä mainittuja vaaratilanteita koskevat varoitukset on lisätty turvaohjeisiin ja/tai vastaavat merkinnät on lisätty työkaluun.

Tässä käyttöoppaassa mainitut värinäarvot täyttävät EN60745-normin määräykset. Käyttäjän ei tulisi altistaa voimakkaalle, pitkäaikaiselle värinälle. Tämän työkalun värinäpäästöt ovat alle 5 m/s, ja ne täyttävät värinädirektiivin 2002/44/EY asettamat raja-arvot jatkuvassa käytössä 8-tuntisen työpäivän aikana. Todelliset työskentelyolosuhteet voivat poiketa standardoidun testiolosuhteista tai mahdollisesti lisätä värinätasoa.

## Sisällys

1. Voiteluöljypullo
2. Työkaluavain
3. Käyttöopas
4. Alligator™-oksatrimmeri

Yllä mainitut ovat vähimmäisarvusteita.

## Yleiskuvas

5. Virtakytkimet
6. Yläleuka
7. Alaleuka
8. Terälevy
9. Puruaukko
10. Voiteluöljysäiliön kansi

## Ketjun kireyden säätö (kuva A)

**Varoitus!** Ennen ketjun ja muiden osien säätöä varmista, että koneen virta ei ole kytkettyä ja että sitä ei ole liitetty virtalähteeseen.

**Varoitus!** Terälevy ja -ketju voivat olla käytön jälkeen kuumia. Anna niiden jäähtyä ennen säätämistä.

Tuote toimitetaan valmiiksi koottuna. Suosittelemme kuitenkin ennen laitteen käytön aloittamista ketjun kireyden ja ketjun pidäkemuttereiden tiukkuuden tarkastusta ja tarvittaessa niiden säätöä.

## Ketjun kireyden tarkastus ja säätö (kuva A)

Kiristä ketju hellittämällä ketjunsuojuksen molemmat pidäkemutterit (11) työkaluavaimella (2). Ketjunkturistin työntää terälevyn ulos ja säätää kireyden oikeaksi. Kiristä pidäkemutterit (11) tiukasti kiinni.

Tarkasta, että kireyssäätö on oikea vetämällä ketjua kevyesti. Kireys on oikea, kun ketjua voi nostaa terälevystä irti 3 mm ja vapauttamisen jälkeen ketju napsahtaa takaisin vasten levyä. Ketju ei saa riippua terälevyn alapuolella.

**Huomautus:** Älä kiristä ketjua liian tiukalle, koska tällöin levy ja ketju kuluvat loppuun ennenaikaisesti. Lisäksi tuotteen toimintakyky heikentyy.



**Huomautus:** Käyttäessäsi tuotetta ensimmäistä kertaa ja ketjun uusimisen jälkeen tarkasta kireys säännöllisesti, koska uusi ketju venyy hieman.

## Teräketjun ja -levyn uusiminen

Pitkän käytön jälkeen teräketju ja/tai terälevy on uusittava. Käytä ainoastaan Black & Deckerin suosittelemia varaosia.

### Teräketjun ja -levyn irrotus (kuvat A ja B)

**Varoitus!** Pidä aina suojakäsineitä asentaessasi tai irrottaessasi teräketjua. Teräketju on terävä ja voi aiheuttaa haavan myös liikkumattomana ollessaan.

**Varoitus!** Terälevy ja -ketju voivat olla käytön jälkeen kuumia. Anna niiden jäähtyä ennen käsittelyä.

- ◆ Aseta työkalu tukevalle ja tasaiselle pinnalle.
- ◆ Irrota molemmat pidäkemutterit (11) kiertämällä niitä vastapäivään työkaluvaimella (2).
- ◆ Irrota teräsuojus (12).
- ◆ Avaa kahvat ja vedä yläleuka (6) taakse.
- ◆ Vedä terälevy (8) taakse ja nosta teräketju (9) irti levyn urasta. Tämän jälkeen ketjun voi nostaa pois.
- ◆ Nyt terälevyn voi nostaa paikaltaan kallistamalla sitä etuosasta ylöspäin pulttien yli.

### Terälevyn ja -ketjun kokoaminen (kuvat C ja D)

**Varoitus!** Pidä aina suojakäsineitä asentaessasi tai irrottaessasi teräketjua. Teräketju on terävä ja voi aiheuttaa haavan myös liikkumattomana ollessaan.

- ◆ Kokoa laite vain tukevalla ja tasaisella pinnalla.
- ◆ Avaa kahvat ja vedä yläleuka (6) taakse.
- ◆ Työnnä terälevy (8) ketjunkiristimen ja ensimmäisen pultin väliseen tilaan ja kallista levy alas paikalleen pulttien yli.
- ◆ Aseta ketju (9) levyn etuosan nokkapyörän ympärille.
- ◆ Vedä terälevy ja ketjua taaksepäin, pujota ketju terälevyn uraan ja sitten vetopyörän (14) yli kohdistaan ketjun hampaat oikeassa asennossa vetopyörälle.
- ◆ Asenna teräsuojus (12) ja pidäkemutterit (11). Kiristä mutterit tiukasti kiinni.

## Käyttö

**Varoitus!** Anna koneen käydä omaan tahtiinsa. Älä ylikuormita sitä.

- ◆ Puhdista laite säännöllisesti huoltoä käsittelyvässä jaksossa kuvatulla tavalla. Puhdista etenkin teräsuojuksen sisäpuoli.
- ◆ Alaleuan (7) ja yläleuan (6) on sulkeuduttava, kun käyttäjä vapauttaa toisen kahvoista tai kun työn kohteena oleva oksa on katkaistu. Jos näin ei tapahdu, lopeta työkalun käyttö ja irrota pistotulppa pistorasiasta. Tarkista, estävätkö roskat leukojen liikkeet. Tarkistus voi edellyttää teräsuojuksen (12) irrottamista. Jos ongelma ei poistu puhdistuksen ja laitteen kokoamisen jälkeen, toimita laite valtuutettuun huoltoon.

## Öljyn lisääminen (kuva E)

- ◆ Laitteeseen on lisättävä ketjunvoiteluöljyä (osanumero A6027) ennen ensimmäistä käyttökertaa ja käytön aikana kymmenen minuutin välein. Avaa öljysäiliön kansi (10) ja aseta öljypullon kärki öljyntäyttöaukkoon (15). Lisää öljyä puristamalla pulloa yhden kerran.
- ◆ Tämä riittää normaalisti noin 10 minuutin käyttöön, mutta käyttöaika voi vaihdella katkaisunopeuden ja puun tyyppin mukaan.
- ◆ Aukon kautta kulkeutuua öljyä ketjulle ja terälevylle. Liikaöljy voi valua leukojen alueelle. Tämä on normaalia, eikä siitä tarvitse huolestua.

## Käynnistys ja pysäytys

**Varoitus!** Älä koskaan yritä lukita tai kiinnittää kumpaakaan virtakytintä käyttöasentoon.

Käyttöturvallisuuden lisäämiseksi tämä työkalu on varustettu käynnistysvarmistimella. Järjestelmä estää työkalun tahattoman käynnistämisen.

## Käynnistys (kuva F)

Ota tukeva ote kahvoista ja kytke virta puristamalla kumpaakin virtakytintä.

## Virrankatkaisu (kuva F)

Vapauta jompikumpi virtakytkimistä.

**Huomautus:** Laitteen käynnistys ja käyttö edellyttää kummankin virtakytkimen samanaikaista painamista.

Älä ylikuormita laitetta - anna sen tehdä työ. Laite toimii paremmin ja turvallisemmin sille suunnitellulla nopeudella. Liiallinen voimankäyttö venyttää ketjua.

Jos teräketju tai -levy juuttuu

- ◆ katkaise työkalun virta
- ◆ irrota työkalun virtajohto sähköverkosta
- ◆ hellitä terälevyn kohdistuva puristus avaamalla kiilaterä. Älä yritä vapauttaa sahaa vääntämällä. Aloita oksan katkaiseminen uudelleen toisesta kohdasta.

## Oksien karsiminen (kuva G)

Varmista etukäteen, että paikalliset asetukset tai säädökset eivät rajoita puun oksien karsimista.

- ◆ Ennen varsinaista katkaisuvaihetta anna työkalun toimia täydellä nopeudella.
- ◆ Pidä työkalusta kiinni tukevasti molemmin käsin, jotta se ei pääse ponnahtelemaan tai liikkumaan sivusuunnassa.
- ◆ Ohjaa työkalun liikkeitä kevyesti painaen.
- ◆ Aloita katkaisu aina oksan yläpuolelta. Näin vältetään teräketjun juuttuminen.
- ◆ Karsi oksat kuvassa G esitetyllä tavalla. Aloita oksan kärjestä ja lyhennä oksaa tasaisin välein.
- ◆ Poista työkalu katkaisukohdasta moottorin käydessä täydellä nopeudella.

## Huolto

Black & Decker -työkalu on suunniteltu toimimaan mahdollisimman pitkän aikaa mahdollisimman vähällä huollolla. Oikealla huollolla ja säännöllisellä puhdistuksella kone säilyttää suorituskykynsä.

**Varoitus!** Irrota laitteen virtapistoke sähköverkosta ennen laitteen huolto- ja puhdistustöiden aloittamista.

## Puhdistaminen

- ◆ Irrota teräsuojus säännöllisesti ja poista kaikki sen alle jääneet roskat.
- ◆ Puhdista ilma-aukot puhtaalla, kuivalla maalisiveltimellä.
- ◆ Käytä työkalun puhdistukseen vain mietoa saippualluosta ja kosteaa kangasta. Älä koskaan päästä nestettä valumaan työkalun sisään. Älä koskaan upota mitään työkalun osaan nesteeseen.

## Voitelu

- ◆ Öljyä kuvan B mukaiset voitelukohteet (15) säännöllisesti.

## Kuljetus

- ◆ Kuljeta työkalu aina sen leuat kiinni.

## Säilytys

- ◆ Kun työkalua ei ole tarkoitus käyttää pitkään aikaan, pyyhi kaikki metalliosat öljytyllä kankaalla.
- ◆ Säilytä työkalu varmassa ja kuivassa paikassa. Säilytyslämpötilan tulee olla aina vähintään + 5 °C ja enintään + 40 °C. Säilytä työkalua paikassa, jonne sivulliset eivät pääse.

## Ympäristö



Kun työkalusi aikanaan täytyy vaihtaa tai ei kelpaa enää käyttöön, ota huomioon ympäristötekijät. Black & Deckerin valtuutetut huoltoliikkeet ottavat vastaan Black & Decker -työkaluja ja varmistavat, että ne hävitetään ympäristöystävällisesti.



Käytettyjen tuotteiden ja pakkausmateriaalien erilliskeruun avulla materiaalit voidaan kierrättää ja käyttää uudelleen. Kierrätysmateriaalien käyttö auttaa vähentämään ympäristön saastumista ja uusien raaka-aineiden tarvetta.

Paikallisissa säädöksissä voidaan määrätä, että kodin sähkötuotteiden keruu tapahtuu kaupunkien jätteidenkäsittelyasemilla tai laitteita myyvissä liikkeissä uuden tuotteen oston yhteydessä.

Kun koneesi on käytetty loppuun, älä heitä sitä tavallisten roskien mukana pois, vaan vie se paikkakuntasi kierrätyskeskukseen tai jätä valtuutettuun Black & Deckerin huoltoliikkeeseen.

Tiedot valtuutetuista huoltoliikkeistä saa ottamalla yhteyttä Black & Decker Oy:hyn sekä Internetistä osoitteesta [www.2helpU.com](http://www.2helpU.com).

## Tekniset tiedot

		GK1000	GK1050
Jännite	V <sub>AC</sub>	230	230
Ottoteho	W	550	600
Ketjun nopeus (kuormittamattomana)	m/s	2,3	2,3
Suurin sallittu katkaisupaksuus	mm	100	100
Paino	kg	3	3

## EU:n yhdenmukaisuusilmoitus

GK1000/GK1050

Black & Decker vakuuttaa näiden tuotteiden olevan seuraavien standardien vaatimusten mukaiset: 98/37/EY, 89/336/ETY, EN 60745, EN 55014, EN61000, EN60335, 2000/14/EY, Ketjusaha ≤ 600 W, Liite V  
Taattu äänenpainetaso, mitattu meludirektiivin 2000/14/EY mukaisesti:

L<sub>PA</sub> (äänenpaine) 87 dB(A),

L<sub>WA</sub> (akustinen teho) 98 dB(A),

L<sub>WA</sub> (taattu) 105 dB(A),

käden/käsivarren painotettu värinä 2,6 m/s<sup>2</sup>

Kevin Hewitt

Director of Consumer Engineering

Spennymoor, County Durham DL16 6JG,

Iso-Britannia

1-5-2005

Alligator™ -oksatrimmeri on suojattu patenteilla ja tuotesuojilla Euroopassa, Yhdysvalloissa ja muissa maissa. ALLIGATOR on Black & Decker Corporationin tavaramerkki.

## Takuu

Black & Decker Oy takaa, ettei koneessa ollut materiaali- ja/ tai valmistusvikaa silloin, kun se toimitettiin ostajalle. Takuu on lisäys kuluttajan laillisiin oikeuksiin eikä vaikuta niihin. Takuu on voimassa Euroopan unionin jäsenmaissa ja Euroopan vapaakauppa-alueella (EFTA).

Mikäli Black & Decker -kone hajoaa materiaali- ja/ tai valmistusvirheen tai teknisten tietojen epätarkkuuden vuoksi 24 kk:n kuluessa ostopäivästä, Black & Decker korjaa koneen ilman kustannuksia ostajalle tai vaihtaa sen Black & Decker Oy:n valinnan mukaan. Takuu ei kata vikoja, jotka johtuvat koneen

- ◆ normaalista kulumisesta
- ◆ ylikuormituksesta, virheellisestä käytöstä tai hoidosta
- ◆ vahingoittamisesta vieraalla esineellä tai aineella tai onnettomuustapauksessa.
- ◆ Takuu ei ole voimassa, mikäli konetta on korjannut joku muu kuin Black & Deckerin valtuuttama huoltoliike.

Edellytyksenä takuun saamiselle on, että ostaja jättää koneen ja ostokuitin jälleenmyyjälle tai valtuutetulle huoltoliikkeelle viimeistään 2 kuukauden kuluessa vian ilmenemisestä. Tiedot valtuutetuista huoltoliikkeistä saa ottamalla yhteyttä Black & Decker Oy:hyn sekä Internetistä osoitteesta **www.2helpU.com**.

Voit vierailla verkkosivuiltamme **www.blackanddecker.fi** rekisteröidäksesi uuden Black & Decker -tuotteesi ja saadaksesi tietoa uusista tuotteista ja erikoistarjouksista. Saat lisätietoja Black & Deckerin tavaramerkistä ja tuotevalikoimastamme osoitteesta **www.blackanddecker.fi**.

## Ενδεδειγμένη χρήση

Το κλαδευτήρι Black & Decker Alligator™ έχει σχεδιαστεί για το κλάδεμα θάμνων και δέντρων, για την κοπή κλαδιών που έχουν πέσει και για την κοπή μικρών κορμών διαμέτρου 25 mm έως 100 mm, ενώ ο χειριστής στέκεται στο έδαφος. Αυτό το εργαλείο προορίζεται μόνο για ερασιτεχνική χρήση.

## Γενικοί κανόνες ασφαλείας

**Προειδοποίηση!** Διαβάστε όλες τις υποδείξεις. Η μη τήρηση όλων των παρακάτω υποδείξεων μπορεί να προκαλέσει ηλεκτροπληξία, πυρκαγιά ή/και σοβαρούς τραυματισμούς. Ο χαρακτηρισμός "ηλεκτρικό εργαλείο" που χρησιμοποιείται σε όλες τις παρακάτω προειδοποιητικές υποδείξεις αφορά ή το εργαλείο που συνδέεται στην πρίζα (με καλώδιο) ή το εργαλείο που λειτουργεί με μπαταρία (χωρίς καλώδιο). ΦΥΛΑΞΤΕ ΑΥΤΕΣ ΤΙΣ ΟΔΗΓΙΕΣ.

### 1. Χώρος εργασίας

**α. Διατρέψτε το χώρο που εργάζεστε καθαρό και καλά φωτισμένο.** Η αταξία στο χώρο που εργάζεστε και τα σημεία χωρίς καλό φωτισμό μπορεί να οδηγήσουν σε ατυχήματα.

**β. Μη χρησιμοποιείτε ηλεκτρικά εργαλεία σε περιβάλλον όπου υπάρχει κίνδυνος έκρηξης, π.χ. παρουσία εύφλεκτων υγρών, αερίων ή σκόνης.** Τα ηλεκτρικά εργαλεία μπορεί να δημιουργήσουν σπινθηρισμό ο οποίος μπορεί να αναφλέξει τη σκόνη ή τις αναθυμιάσεις.

**γ. Όταν χρησιμοποιείτε το ηλεκτρικό εργαλείο, κρατάτε τα παιδιά και τα υπόλοιπα άτομα μακριά από το χώρο που εργάζεστε.** Σε περίπτωση που άλλα άτομα αποσπάσουν την προσοχή σας μπορεί να χάσετε τον έλεγχο του μηχανήματος.

### 2. Ασφαλής χρήση του ηλεκτρικού ρεύματος

**α. Το φως του καλωδίου του ηλεκτρικού εργαλείου πρέπει να ταιριάζει στην αντίστοιχη πρίζα. Δεν επιτρέπεται με κανένα τρόπο η μετασκευή του φως. Μη χρησιμοποιείτε προσαρμοστικά φως στα γειωμένα ηλεκτρικά εργαλεία.** Τα φως που δεν έχουν υποστεί τροποποιήσεις και οι κατάλληλες πρίζες μειώνουν τον κίνδυνο ηλεκτροπληξίας.

**β. Αποφύγετε την επαφή του σώματός σας με γειωμένες επιφάνειες όπως σωλήνες, θερμαντικά σώματα (καλοριφέρ), κουζίνες και ψυγεία.** Όταν το σώμα σας είναι γειωμένο, αυξάνεται ο κίνδυνος ηλεκτροπληξίας.

**γ. Μην εκθέτετε το ηλεκτρικό εργαλείο στη βροχή ή την υγρασία.** Η διείσδυση νερού στο ηλεκτρικό εργαλείο αυξάνει τον κίνδυνο ηλεκτροπληξίας.

**δ. Μην κακομεταχειρίζεστε το καλώδιο. Μη χρησιμοποιήσετε ποτέ το καλώδιο για να μεταφέρετε, να τραβήξετε ή να αποσυνδέσετε το εργαλείο από την πρίζα. Κρατάτε το καλώδιο μακριά από υψηλές θερμοκρασίες, λάδια, κοφτερές ακμές ή κινούμενα εξαρτήματα.** Τυχόν χαλασμένα ή μπερδεμένα καλώδια αυξάνουν τον κίνδυνο ηλεκτροπληξίας.

**ε. Όταν χρησιμοποιείτε το ηλεκτρικό εργαλείο σε εξωτερικούς χώρους, να χρησιμοποιείτε πάντοτε προεκτάσεις (μπαλαντέζες) που έχουν εγκριθεί για χρήση σε εξωτερικούς χώρους.** Η χρήση προεκτάσεων εγκεκριμένων για εργασία σε εξωτερικούς χώρους μειώνει τον κίνδυνο ηλεκτροπληξίας.

### 3. Ασφάλεια προσώπων

**α. Όταν χρησιμοποιείτε το ηλεκτρικό εργαλείο, να είστε προσεκτικοί, να δίνετε προσοχή στην εργασία που κάνετε και να επιστρατεύετε την κοινή λογική. Μη χρησιμοποιείτε το ηλεκτρικό εργαλείο όταν είστε κουρασμένοι ή όταν βρίσκεστε υπό την επήρεια ναρκωτικών, οισονπνέυματος ή φαρμάκων.** Μια στιγμήα απροσεξία κατά το χειρισμό του ηλεκτρικού εργαλείου μπορεί να οδηγήσει σε σοβαρούς τραυματισμούς.

**β. Να χρησιμοποιείτε εξοπλισμό ασφαλείας. Να φοράτε πάντα προστατευτικά γυαλιά.** Ο κίνδυνος τραυματισμών μειώνεται όταν χρησιμοποιείτε εξοπλισμό ασφαλείας, όπως μάσκα προστασίας από σκόνη, αντλιοθητικά παπούτσια ασφαλείας, κράνη ή ωτασπίδες, ανάλογα με τις συνθήκες εργασίας.

**γ. Αποφύγετε την αθέλητη θέση σε λειτουργία του ηλεκτρικού εργαλείου. Βεβαιωθείτε ότι ο διακόπτης λειτουργίας βρίσκεται στη θέση "OFF" πριν συνδέσετε το ηλεκτρικό εργαλείο στην πρίζα.** Αν μεταφέρετε το ηλεκτρικό εργαλείο έχοντας το δάκτυλό σας πάνω στο διακόπτη λειτουργίας ή αν συνδέσετε το ηλεκτρικό εργαλείο στην πρίζα όταν ο διακόπτης λειτουργίας βρίσκεται στη θέση "ON", αυτό μπορεί να οδηγήσει σε σοβαρούς τραυματισμούς.

**δ. Πριν θέσετε το ηλεκτρικό εργαλείο σε λειτουργία, αφαιρέστε τυχόν εργαλεία ή κλειδιά ρύθμισης.** Ένα εργαλείο ή κλειδί συναρμολογημένο στο περιστρεφόμενο εξάρτημα ενός ηλεκτρικού εργαλείου μπορεί να προκαλέσει τραυματισμούς.

- ε. **Μην τεντώνεστε. Φροντίστε πάντοτε να έχετε την κατάλληλη στάση και να διατηρείτε την ισορροπία σας.** Αυτό σας επιτρέπει τον καλύτερο έλεγχο του ηλεκτρικού εργαλείου σε περιπτώσεις απροσδόκητων καταστάσεων.
- στ. **Φοράτε κατάλληλη ενδυμασία εργασίας. Μη φοράτε φαρδιά ρούχα ή κοσμήματα. Κρατάτε τα μαλλιά, τα ενδύματα και τα γάντια σας μακριά από τα κινούμενα εξαρτήματα.** Τα φαρδιά ρούχα, τα κοσμήματα και τα μακριά μαλλιά μπορεί να εμπλακούν στα κινούμενα εξαρτήματα.
- ζ. **Αν προβλέπονται διατάξεις απαγωγής και συλλογής της σκόνης, βεβαιωθείτε ότι είναι συνδεδεμένες και ότι χρησιμοποιούνται σωστά.** Η χρήση τέτοιων διατάξεων μειώνει τους κινδύνους που προέρχονται από τη σκόνη.
4. **Χρήση και συντήρηση του ηλεκτρικού εργαλείου**
- α. **Μην υπερφορτώνετε το ηλεκτρικό εργαλείο. Χρησιμοποιείτε για την εκάστοτε εργασία σας το ηλεκτρικό εργαλείο που προορίζεται γι' αυτήν.** Με το κατάλληλο ηλεκτρικό εργαλείο εργάζεσθε καλύτερα και ασφαλέστερα στην ονομαστική περιοχή ισχύος του.
- β. **Μη χρησιμοποιήσετε ποτέ ένα ηλεκτρικό εργαλείο του οποίου ο διακόπτης λειτουργίας είναι χαλασμένος.** Ένα ηλεκτρικό εργαλείο του οποίου η λειτουργία δεν μπορεί να ελεγχθεί με το διακόπτη είναι επικίνδυνο και πρέπει να επισκευαστεί.
- γ. **Βγάλτε το φις από την πρίζα πριν διεξάγετε κάποια εργασία ρύθμισης στο ηλεκτρικό εργαλείο, πριν αλλάξετε κάποιο εξάρτημα ή όταν πρόκειται να το αποθηκεύσετε.** Αυτά τα προληπτικά μέτρα ασφαλείας μειώνουν τον κίνδυνο να τεθεί το εργαλείο αθέλητα σε λειτουργία.
- δ. **Να φυλάτε τα ηλεκτρικά εργαλεία που δεν χρησιμοποιείτε μακριά από παιδιά. Μην αφήνετε άτομα που δεν είναι εξοικειωμένα με το ηλεκτρικό εργαλείο ή που δεν έχουν διαβάσει αυτές τις οδηγίες χρήσης να το χρησιμοποιήσουν.** Τα ηλεκτρικά εργαλεία είναι επικίνδυνα όταν χρησιμοποιούνται από άπειρα άτομα.
- ε. **Να συντηρείτε τα ηλεκτρικά εργαλεία. Ελέγξτε εάν τα κινούμενα μέρη είναι σωστά ευθυγραμμισμένα ή αν έχουν μπλοκάρει, εάν έχουν σπάσει κομμάτια και αν πληρούνται όλες οι υπόλοιπες συνθήκες που ενδεχομένως να επηρεάσουν τη σωστή λειτουργία του εργαλείου. Δώστε τυχόν χαλασμένα εξαρτήματα του ηλεκτρικού εργαλείου για επισκευή πριν το χρησιμοποιήσετε πάλι.** Η ανεπαρκής συντήρηση των ηλεκτρικών εργαλείων αποτελεί αιτία πολλών ατυχημάτων.

- στ. **Διατηρείτε τα κοπτικά εργαλεία κοφτερά και καθαρά.** Τα κοπτικά εργαλεία με αιχμηρά κοπτικά άκρα που συντηρούνται σωστά έχουν λιγότερες πιθανότητες να μπλοκάρουν και ελέγχονται ευκολότερα.
- ζ. **Να χρησιμοποιείτε τα ηλεκτρικά εργαλεία, τα εξαρτήματα και τα άκρα των εργαλείων κλπ σύμφωνα με τις παρούσες οδηγίες καθώς και όπως προβλέπεται για τον κάθε τύπο εργαλείου, λαμβάνοντας υπόψη σας τις συνθήκες εργασίας και την εργασία που θέλετε να εκτελέσετε.** Η χρήση του ηλεκτρικού εργαλείου για άλλες εκτός από τις προβλεπόμενες εργασίες μπορεί να δημιουργήσει επικίνδυνες καταστάσεις.
5. **Σέρβις**
- α. **Το σέρβις του ηλεκτρικού σας εργαλείου πρέπει να αναλαμβάνει έμπειρος τεχνικός που θα χρησιμοποιεί μόνο γνήσια ανταλλακτικά.** Έτσι εξασφαλίζεται η διατήρηση της ασφάλειας του ηλεκτρικού εργαλείου.

### Πρόσθετες οδηγίες ασφαλείας για το κλαδευτήρι Alligator™

**Προειδοποίηση!** Μη χρησιμοποιείτε ποτέ το εργαλείο κρατώντας το πάνω από το ύψος του ώμου. Να στέκεστε πάντα μακριά από την κατεύθυνση πτώσης των κλαδιών και άλλων σωματιών.

**Προειδοποίηση!** Μη χρησιμοποιείτε αυτό το εργαλείο για την κοπή δέντρων.

- ♦ Διατηρείτε πάντοτε τα μέλη του σώματός σας και τα ενδύματά σας μακριά από την αλυσίδα του πριονιού. Να κρατάτε το εργαλείο μπροστά σας και να προσέχετε τη θέση της αλυσίδας του πριονιού, ιδιαίτερα κατά την κοπή κλαδιών που βρίσκονται κοντά στο έδαφος. Πριν να θέσετε σε λειτουργία το εργαλείο, φροντίστε η αλυσίδα του πριονιού να μη βρίσκεται σε επαφή με οποιοδήποτε αντικείμενο.
- ♦ Σχεδιάστε εκ των προτέρων μια ασφαλή διαδρομή απομάκρυνσης από κλαδιά και άλλα κομμάτια που θα πέσουν. Βεβαιωθείτε ότι στη διαδρομή απομάκρυνσης δεν θα υπάρχουν εμπόδια που θα καθιστούσαν αδύνατη ή θα δυσκόλευαν την κίνηση. Έχετε υπόψη ότι το υγρό γρασίδι και ο φλοιός δέντρου που έχει κοπεί πρόσφατα είναι ολισθηρά.
- ♦ Καθορίστε την κατεύθυνση προς την οποία μπορεί να πέσει ένα κλαδί. Λάβετε υπόψη όλους τους παράγοντες που ενδέχεται να επηρεάσουν την κατεύθυνση της πτώσης, συμπεριλαμβανομένων:

- Της επιθυμητής κατεύθυνσης της πώσης.
  - Της φυσικής κλίσης του κλαδιού.
  - Οποιοδήποτε δομικό χαρακτηριστικό του κλαδιού με μεγάλο βάρος ή τυχόν σημείου σήψης.
  - Των γύρω δέντρων και εμποδίων, συμπεριλαμβανομένων των αναρτημένων συρμάτων, σχοινιών, καλωδίων κ.λπ. που υπάρχουν στο χώρο.
  - Της ταχύτητας και της διεύθυνσης του ανέμου.
- ◆ Η ασφαλής απόσταση ενός κλαδιού και κομματιών που πρόκειται να πέσουν από άτομα, κτίρια ή άλλα αντικείμενα ισούται τουλάχιστον με 2 1/2 φορές το μήκος του κλαδιού. Οποιοδήποτε άτομο, κτίριο ή αντικείμενο που βρίσκεται σε μικρότερη απόσταση κινδυνεύει να πληγεί από το κλαδί που θα πέσει.
  - ◆ Κατά την κοπή ενός κλαδιού που έχει καμφθεί, προσέξτε το ενδεχόμενο επαναφοράς του. Όταν πάψει να ασκείται πίεση στις ίνες του ξύλου, το κλαδί που βρισκόταν σε κάμψη ενδέχεται να κτυπήσει το χειριστή ή/και το εργαλείο, με αποτέλεσμα την απώλεια του ελέγχου του.
  - ◆ Να φοράτε πάντα τον κατάλληλο προστατευτικό εξοπλισμό, όπως αντιολισθητικά παπούτσια ασφαλείας, κράνος, προστατευτικά γυαλιά, ωτασπίδες και γάντια, κατά το χειρισμό του εργαλείου.
  - ◆ Φροντίστε να υπάρχει κάποιος σε κοντινή απόσταση (σε απόσταση ασφαλείας) για την περίπτωση ατυχήματος.
  - ◆ Μην επιχειρήσετε να χρησιμοποιήσετε το εργαλείο όταν στέκεστε πάνω σε δέντρο, σε σκάλα ή σε οποιαδήποτε άλλη ασαθρή επιφάνεια.
  - ◆ Φροντίζετε να έχετε πάντοτε την κατάλληλη στάση και να διατηρείτε την ισορροπία σας.
  - ◆ Κρατάτε σταθερά το εργαλείο, και με τα δύο χέρια, όταν το μοτέρ βρίσκεται σε λειτουργία.
  - ◆ Διατηρείτε τις λαβές στεγνές, καθαρές, χωρίς λάδι και γράσο. Οι λερωμένες με γράσο ή λάδι λαβές γλιστρούν, με αποτέλεσμα την απώλεια του ελέγχου.
  - ◆ Μην επιτρέψετε να έλθει σε επαφή η κινούμενη αλυσίδα με οποιοδήποτε αντικείμενο στο άκρο της ράβδου οδήγησης.
  - ◆ Διατηρείτε τη σωστή τάνυση της αλυσίδας του πριονιού. Ελέγχετε την τάνυση σε τακτά διαστήματα, ενώ το μοτέρ δεν λειτουργεί και το καλώδιο είναι αποσυνδεδεμένο.
- ◆ Ξεκινήστε και συνεχίστε την κοπή κάποιου αντικείμενου μόνο εφόσον η αλυσίδα κινείται με τη μέγιστη ταχύτητα.
  - ◆ Προσέχετε για τυχόν κλαδιά που μετακινούνται ή για άλλες δυνάμεις που θα μπορούσαν να κλείσουν μια τομή και να μαγκώσουν την αλυσίδα ή να πέσουν σε αυτήν.
  - ◆ Να είστε ιδιαίτερα προσεκτικοί όταν τοποθετείτε ξανά το εργαλείο σε μια προηγούμενη τομή. Φέρτε σε επαφή με το ξύλο τις προεξοχές της κάτω σιαγόνας και περιμένετε μέχρι η αλυσίδα να αναπτύξει τη μέγιστη ταχύτητά της πριν να πραγματοποιήσετε την κοπή.
  - ◆ Η χρήση αυτού του εργαλείου για εργασίες για τις οποίες δεν προορίζεται ενδέχεται να δημιουργήσει επικίνδυνες καταστάσεις. Το εργαλείο προορίζεται αποκλειστικά για την κοπή ξύλου. Μην το χρησιμοποιείτε για εργασίες για τις οποίες δεν προορίζεται - για παράδειγμα - μην χρησιμοποιείτε το εργαλείο για την κοπή πλαστικού, υλικών τοιχοποιίας ή οικοδομικών υλικών που δεν αποτελούνται από ξύλο.
  - ◆ Εάν πιαστούν ξένα σώματα στο προστατευτικό κάλυμμα ή στο εργαλείο, διακόψτε τη λειτουργία, αποσυνδέστε το καλώδιο τροφοδοσίας και αφαιρέστε τα ξένα σώματα.
  - ◆ Αλυσίδες και ράβδοι οδήγησης αλυσίδας που έχουν φθαρεί πρέπει να αντικαθίστανται.
  - ◆ Χρησιμοποιείτε αποκλειστικά τις ανταλλακτικές ράβδους και αλυσίδες που καθορίζονται από τον κατασκευαστή.

Το εργαλείο φέρει τα παρακάτω προειδοποιητικά σύμβολα:



Διαβάστε το εγχειρίδιο χρήσης.



Μη χρησιμοποιείτε το πριόνι σε υγρές συνθήκες και μην το εκθέτετε στη βροχή.



Φοράτε πάντοτε προστατευτικό εξοπλισμό για το κεφάλι, ακοή και τα μάτια.



Προσέχετε για τυχόν αντικείμενα που πέφτουν.

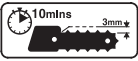
Μην επιτρέπετε να πλησιάσουν άλλα άτομα.



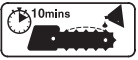
Μη χρησιμοποιείτε το εργαλείο ενώ στέκεστε σε σκάλα.



Μην απορρίψετε το εργαλείο σε δοχείο απορριμμάτων.



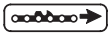
Ελέγχετε την τάση της αλυσίδας μετά από κάθε 10 λεπτά χρήσης. Ρυθμίζετε τη ξανά σε διάκενο 3 mm.



Λαδώνετε την αλυσίδα μετά από κάθε 10 λεπτά χρήσης.



Προειδοποίηση, μην αγγίζετε την αλυσίδα στο σημείο εξαγωγής των απορριμμάτων κοπής (9).



Η κατεύθυνση κίνησης της αλυσίδας.



Αποσυνδέστε αμέσως το καλώδιο από την πρίζα εάν φθαρεί ή κοπεί.

### Ασφαλής χρήση του ηλεκτρικού ρεύματος



Αυτό το εργαλείο φέρει διπλή μόνωση, επομένως δεν απαιτείται σύρμα γείωσης. Ελέγχετε πάντοτε αν η τάση τροφοδοσίας αντιστοιχεί σε αυτήν που αναγράφεται στην πινακίδα στοιχείων του εργαλείου.

### Πρόσθετες οδηγίες ασφαλείας

- Αυτή η συσκευή δεν προορίζεται για χρήση από νεαρά ή αδύναμα άτομα χωρίς επίβλεψη. Τα παιδιά πρέπει να επιβλέπονται και να μη παίζουν με τη συσκευή.
- Αν το καλώδιο ρεύματος έχει υποστεί φθορά, η αντικατάστασή του πρέπει να γίνει από τον κατασκευαστή ή από ένα εξουσιοδοτημένο κέντρο της Black & Decker, ώστε να μην αποτελέσει κίνδυνο.

### Αναπόφευκτος κίνδυνος

- Παρά την τήρηση των σχετικών κανονισμών ασφαλείας και τη λήψη των αναγκαίων μέτρων προστασίας, ορισμένοι κίνδυνοι που σχετίζονται με τη χρήση πριονιών κοπής ξύλου δεν είναι δυνατό να εξλειφθούν. Αυτοί οι κίνδυνοι είναι οι εξής:
- Κίνδυνος τραυματισμού λόγω επαφής με κινούμενα μέρη, αιχμηρά μέρη ή μέρη όπου αναπτύσσονται υψηλές θερμοκρασίες ή λόγω πτώσης κλαδιών ή άλλων κομματιών πάνω στο χειριστή, σε άλλα παρευρισκόμενα άτομα ή σε περιουσιακά στοιχεία και λόγω σωματών που εκτοξεύονται από το εργαλείο.
  - Κίνδυνος τραυματισμού λόγω μη ενδεδειγμένης χρήσης του εργαλείου, λόγω πτώσης από σκάλα ή από θέση εργασίας πάνω σε δέντρο, λόγω πρόκλησης φθοράς στο καλώδιο τροφοδοσίας, λόγω χρήσης του εργαλείου σε υγρές ή επικίνδυνες θέσεις, λόγω χρήσης του εργαλείου

από μικρά παιδιά ή αδύναμα άτομα, λόγω μη χρήσης του κατάλληλου εξοπλισμού ατομικής προστασίας ή κατάλληλων ενδυμάτων ή λόγω των εισπνοής σκόνης που δημιουργείται κατά την κοπή του ξύλου.

Οι παραπάνω κίνδυνοι έχουν αντιμετωπιστεί με τη συμπερίληψη προειδοποιήσεων στις οδηγίες χρήσης ή/και την τοποθέτηση επισημάνσεων στο εργαλείο.

Η τιμή δόνησης που αναφέρεται στο παρόν εγχειρίδιο είναι σύμφωνη με την τυποποιημένη δοκιμή του προτύπου EN60745. Ο χειριστής δεν πρέπει να εκτίθεται σε υψηλά επίπεδα δόνησης για παρατεταμένα χρονικά διαστήματα. Οι εκπομπές δόνησης αυτού του εργαλείου είναι χαμηλότερες από 5m/s και βρίσκονται εντός των ορίων που ορίζονται από το πρότυπο 2002/44/EK για συνεχή λειτουργία σε εργάσιμη ημέρα 8 ωρών. Οι πραγματικές συνθήκες λειτουργίας ενδέχεται να διαφοροποιούν ή πιθανώς να αυξάνουν το επίπεδο δόνησης σε σχέση με τις τιμές που καταγράφονται σε μια τυποποιημένη δοκιμή.

### Περιεχόμενα

1. Φιάλη λαδιού
2. Μηχανικό κλειδί
3. Εγχειρίδιο χρήσης
4. Κλαδευτήρι Alligator™

Τα παραπάνω είναι τα ελάχιστα στοιχεία που περιλαμβάνονται.

### Επισκόπηση βασικών εξαρτημάτων

5. Διακόπτες λειτουργίας on/off
6. Άνω σιαγώνα
7. Κάτω σιαγώνα
8. Ράβδος οδήγησης αλυσίδας
9. Σημείο εξαγωγής απορριμμάτων κοπής
10. Κάλυμμα λίπανσης

### Ρύθμιση τάσης αλυσίδας (εικ. Α)

**Προειδοποίηση!** Πριν από την τάση της αλυσίδας ή άλλη ρύθμιση, βεβαιωθείτε ότι το εργαλείο είναι σβηστό και ότι το φως δεν είναι συνδεδεμένο στην πρίζα.

**Προειδοποίηση!** Η ράβδος οδήγησης και η αλυσίδα ενδέχεται να έχουν υψηλή θερμοκρασία μετά τη χρήση. Περιμένετε μέχρι να μειωθεί η θερμοκρασία τους πριν να πραγματοποιήσετε τη ρύθμιση. Το προϊόν διατίθεται συναρμολογημένο, έτοιμο προς χρήση. Ωστόσο, συνιστούμε να ελέγξετε την τάση και τα παζμάδια συγκράτησης της αλυσίδας πριν από τη χρήση του εργαλείου και, εάν απαιτείται, να ρυθμίσετε κατάλληλα την αλυσίδα.

### Έλεγχος και ρύθμιση της τάνυσης της αλυσίδας (εικ. Α)

Για την τάνυση της αλυσίδας, ξεσφίξτε τα δύο παξιμάδια συγκράτησης του καλύμματος της αλυσίδας (11) με το μηχανικό κλειδί (2), η διάταξη τάνυσης της αλυσίδας θα ωθήσει προς τα έξω τη ράβδο της αλυσίδας, ρυθμίζοντας τη σωστή τάνυση. Σφίξτε πάλι καλά τα δύο παξιμάδια συγκράτησης (11).

Ελέγξτε εάν έχει ρυθμιστεί σωστά η τάνυση τραβώντας ελαφρά την αλυσίδα. Η τάνυση έχει ρυθμιστεί σωστά όταν η αλυσίδα επανέρχεται αμέσως στη θέση της, αφού τραβηχτεί σε απόσταση 3 mm από τη ράβδο οδήγησης. Δεν πρέπει να υπάρχει "κρέμασμα" μεταξύ της ράβδου οδήγησης και της αλυσίδας στην κάτω πλευρά.

**Σημείωση:** Μην τεντώσετε υπερβολικά την αλυσίδα, καθώς αυτό θα προκαλέσει υπερβολική φθορά και θα μειώσει τη διάρκεια ζωής της ράβδου και της αλυσίδας. Επίσης, θα μειώσει την απόδοση του προϊόντος.

**Σημείωση:** Κατά την πρώτη χρήση και όταν η αλυσίδα είναι καινούρια, ελέγχετε συχνά την τάνυση, καθώς μια νέα αλυσίδα επιμηκύνεται ελαφρά.

### Αντικατάσταση της αλυσίδας και της ράβδου της αλυσίδας

Μετά από παρατεταμένη χρήση, η αλυσίδα ή/και η ράβδος της αλυσίδας ενδέχεται να απαιτούν αντικατάσταση. Βεβαιωθείτε ότι σε αυτή την περίπτωση θα χρησιμοποιηθούν αποκλειστικά τα ανταλλακτικά που συνιστά η Black & Decker.

### Αφαίρεση της αλυσίδας του πριονιού και της ράβδου αλυσίδας (εικ. Α και Β)

**Προειδοποίηση!** Φοράτε πάντοτε προστατευτικά γάντια κατά την τοποθέτηση ή την αφαίρεση της αλυσίδας πριονιού. Η αλυσίδα πριονιού είναι κοφτερή και μπορεί να σας τραυματίσει χωρίς να βρίσκεται σε λειτουργία.

**Προειδοποίηση!** Η θερμοκρασία της ράβδου οδήγησης και της αλυσίδας ενδέχεται να είναι υψηλή μετά τη χρήση. Περιμένετε μέχρι να μειωθεί η θερμοκρασία τους πριν από την αντικατάστασή τους.

- Τοποθετήστε το εργαλείο σε μια σταθερή επιφάνεια.
- Περιστρέψτε τα δύο παξιμάδια συγκράτησης (11) προς τα αριστερά, με το μηχανικό κλειδί (2) που παρέχεται, και αφαιρέστε τα.

- Αφαιρέστε το κάλυμμα πρόσβασης της αλυσίδας (12).
- Ανοίξτε τις λαβές και τραβήξτε προς τα πίσω την άνω σιαγόνα (6).
- Τραβήξτε προς τα πίσω τη ράβδο της αλυσίδας (8) και, στη συνέχεια, τραβήξτε την αλυσίδα πριονιού (9) έξω από την εσοχή της ράβδου οδήγησης. Στη συνέχεια, η αλυσίδα μπορεί να αφαιρεθεί από τη μονάδα.
- Τότε, η ράβδος της αλυσίδας μπορεί να σηκωθεί υπό γωνία προς τα πάνω, πάνω από τα μπουλόνια.

### Συναρμολόγηση της ράβδου της αλυσίδας και της αλυσίδας (εικ. C και D)

**Προειδοποίηση!** Φοράτε πάντοτε προστατευτικά γάντια κατά την τοποθέτηση ή την αφαίρεση της αλυσίδας του πριονιού. Η αλυσίδα πριονιού είναι κοφτερή και μπορεί να σας τραυματίσει χωρίς να βρίσκεται σε λειτουργία.

- Βεβαιωθείτε ότι η διαδικασία πραγματοποιείται σε σταθερή επιφάνεια.
- Ανοίξτε τις λαβές και τραβήξτε προς τα πίσω την άνω σιαγόνα (6).
- Τοποθετήστε τη ράβδο της αλυσίδας (8) στο χώρο μεταξύ του εντατήρα της αλυσίδας και του πρώτου μπουλονιού, χαμηλώστε υπό γωνία τη ράβδο της αλυσίδας πάνω από τα μπουλόνια.
- Τοποθετήστε την αλυσίδα (9) γύρω από το μπροστινό άκρο της ράβδου της αλυσίδας και προσαρμόστε τη στον μπροστινό οδοντωτό τροχό της ράβδου της αλυσίδας.
- Τραβήξτε τη ράβδο της αλυσίδας και την αλυσίδα προς τα πίσω, προσαρμόζοντας την αλυσίδα στην εσοχή της ράβδου της αλυσίδας και, στη συνέχεια, πάνω από τις οδοντώσεις τοποθέτησης του οδοντωτού τροχού (14), στη σωστή θέση πάνω στον τροχό.
- Τοποθετήστε ξανά το κάλυμμα πρόσβασης της αλυσίδας (12) και τα παξιμάδια συγκράτησης (11), σφίγγοντας τα καλά.

### Χρήση

**Προειδοποίηση!** Αφήστε το εργαλείο να λειτουργήσει με το δικό του ρυθμό. Μην το υπερφορτώνετε.

- Καθαρίζετε σε τακτική βάση τη μονάδα, όπως περιγράφεται στην ενότητα για τη συντήρηση, και, ιδιαίτερα, καθαρίζοντας στο εσωτερικό του καλύμματος πρόσβασης στην αλυσίδα.
- Η κάτω σιαγόνα (7) και η άνω σιαγόνα (6) έχουν σχεδιαστεί έτσι, ώστε να κλείνουν όταν μία από τις λαβές απελευθερώνεται ή όταν ολοκληρώνεται η κοπή ενός κλαδιού. Εάν δεν συμβαίνει αυτό,



διακόπτει τη λειτουργία του εργαλείου και βγάλτε το φως από την πρίζα. Ελέγξτε εάν υπάρχουν ξένα σώματα που εμποδίζουν την κίνηση. Για τη διευκόλυνση αυτής της διαδικασίας, ενδέχεται να είναι απαραίτητο να αφαιρέσετε το κάλυμμα πρόσβασης της αλυσίδας (12). Εάν μετά τη συναρμολόγηση το πρόβλημα εξακολουθεί να παρουσιάζεται, επιστρέψτε τη μονάδα σε εξουσιοδοτημένο κέντρο επισκευών.

### Λίπανση (εικ. Ε)

- ♦ Πριν από την πρώτη χρήση και μετά από κάθε δέκα λεπτά χρήσης, πρέπει να λαδώνετε το προϊόν με το κατάλληλο λάδι αλυσίδας. (αριθμός καταλόγου A6027). Ανοίξτε το κάλυμμα λίπανσης (10) και εισαγάγετε τη φιάλη λαδιού στην οπή πλήρωσης λαδιού (15), ασκήστε πίεση μία φορά στη φιάλη για να χορηγηθεί λάδι.
- ♦ Αυτή η ποσότητα πρέπει να αρκεί για κοπή διάρκειας περίπου 10 λεπτών, ανάλογα με την ταχύτητα κοπής και τον τύπο του ξύλου.
- ♦ Από την οπή, το λάδι διοχετεύεται στην αλυσίδα, στη ράβδο της αλυσίδας, και, σε περίπτωση χορήγησης στη μονάδα πλεονάζουσας ποσότητας λαδιού, ενδέχεται να στάξει λάδι από τη μονάδα, γύρω από την περιοχή των σιαγώνων. Αυτό είναι φυσιολογικό και δεν αποτελεί αιτία ανησυχίας.

**Ενεργοποίηση και απενεργοποίηση του εργαλείου Προειδοποίηση!** Ποτέ μην επιχειρήσετε να ασφαλίσετε ή να σταθεροποιήσετε ένα διακόπτη λειτουργίας στη θέση on.

Για την ασφάλειά σας, αυτό το εργαλείο είναι εξοπλισμένο με διπλό σύστημα ενεργοποίησης. Αυτό το σύστημα εμποδίζει το να τεθεί ακούσια το εργαλείο σε λειτουργία.

### Ενεργοποίηση εργαλείου (εικ. F)

Κρατήστε σταθερά τις λαβές και, στη συνέχεια, πιέστε και τους δύο διακόπτες λειτουργίας για να θέσετε τη μονάδα σε λειτουργία.

### Απενεργοποίηση εργαλείου (εικ. F)

Απελευθερώστε έναν από τους διακόπτες.

**Σημείωση:** Για να λειτουργήσει το προϊόν, πρέπει να ασκείται πίεση και στους δύο διακόπτες.

Μην πιέζετε το εργαλείο - αφήστε το να λειτουργήσει με το δικό του ρυθμό. Η εργασία θα γίνει καλύτερα και με μεγαλύτερη ασφάλεια εάν το εργαλείο λειτουργεί με την ταχύτητα για την οποία

έχει σχεδιαστεί. Η άσκηση υπερβολικής δύναμης καταπονεί την αλυσίδα.

Σε περίπτωση εμπλοκής της αλυσίδας του πριονιού ή της ράβδου:

- ♦ Σβήστε το εργαλείο.
- ♦ Αποσυνδέστε το εργαλείο από την πρίζα.
- ♦ Ανοίξτε το σημείο κοπής με σφήνες για να απαλλάξετε από την πίεση τη ράβδο οδήγησης. Μην επιχειρήσετε να απελευθερώσετε το πριόνι τραβώντας με δύναμη. Ξεκινήστε από νέο σημείο κοπής.

### Κλάδεμα κλαδιών (εικ. G)

Βεβαιωθείτε ότι δεν υπάρχουν τοπικοί νόμοι ή κανονισμοί που απαγορεύουν ή περιορίζουν το κλάδεμα των κλαδιών των δέντρων.

- ♦ Βεβαιωθείτε ότι το εργαλείο λειτουργεί με τη μέγιστη ταχύτητα πριν να πραγματοποιήσετε κοπή.
- ♦ Κρατήστε σταθερά το εργαλείο, για να αποφύγετε πιθανή αναπήδηση ή μετατόπιση του στο πλάι.
- ♦ Κατευθύνετε το εργαλείο ασκώντας μικρή πίεση.
- ♦ Πάντοτε, κόβετε προς τα κάτω, ξεκινώντας από πάνω. Με αυτό τον τρόπο, αποφεύγετε το ενδεχόμενο να μαγκώσει η αλυσίδα του πριονιού.
- ♦ Κλαδεύετε τα κλαδιά όπως φαίνεται στην Εικόνα G. Ξεκινώντας από το άκρο του κλαδιού, αρχίστε να κόβετε σταδιακά το κλαδί, σε λογικά βήματα, αποκόβοντας μικρά τμήματά του.
- ♦ Απομακρύνετε το εργαλείο από το σημείο κοπής ενώ λειτουργεί με τη μέγιστη ταχύτητά του.

### Συντήρηση

Αυτό το εργαλείο της Black & Decker έχει σχεδιαστεί έτσι ώστε να λειτουργεί για μεγάλο χρονικό διάστημα με την ελάχιστη δυνατή συντήρηση. Η αδιάλειπτη και ικανοποιητική λειτουργία του εργαλείου εξαρτάται από τη φροντίδα και τον τακτικό καθαρισμό.

**Προειδοποίηση!** Πριν από την πραγματοποίηση οποιασδήποτε εργασίας συντήρησης ή καθαρισμού του εργαλείου, αποσυνδέστε τη μονάδα από την πρίζα.

### Καθαρισμός

- ♦ Αφαιρέτε σε τακτική βάση το κάλυμμα πρόσβασης της αλυσίδας για να απομακρύνετε τυχόν ξένα σώματα που έχουν παγιδευτεί στο εσωτερικό του.
- ♦ Καθαρίζετε σε τακτική βάση τις εγκοπές εξαερισμού με ένα καθαρό, στεγνό πινέλο βαφής.

- ♦ Για τον καθαρισμό του εργαλείου, χρησιμοποιήστε αποκλειστικά ήπιο σαπούνι και υγρό πανί. Μην επιτρέψετε ποτέ να εισέλθει υγρό στο εσωτερικό του εργαλείου και μη βυθίσετε ποτέ οποιοδήποτε εξάρτημα του εργαλείου σε υγρό.

#### Λίπανση

- ♦ Λαδώνετε τακτικά τα σημεία λίπανσης (15), όπως υποδεικνύεται στην Εικόνα Β.

#### Μεταφορά

- ♦ Μεταφέρετε το εργαλείο πάντοτε με κλειστές τις σιαγώνες.

#### Αποθήκευση

- ♦ Εάν το εργαλείο δεν πρόκειται να χρησιμοποιηθεί για αρκετούς μήνες, επαλείψτε τα μεταλλικά εξαρτήματα με λάδι.
- ♦ Αποθηκεύστε το εργαλείο σε ασφαλές και στεγνό μέρος. Η θερμοκρασία αποθήκευσης πρέπει πάντοτε να παραμένει μεταξύ + 5 °C και + 40 °C. Τοποθετήστε το εργαλείο σε επίπεδη, ασφαλή θέση.

#### Προστασία του περιβάλλοντος



Στην περίπτωση που κάποτε διαπιστώσετε ότι πρέπει να αντικαταστήσετε το εργαλείο ή ότι δεν σας είναι πλέον χρήσιμο, μην ξεχνάτε την ανάγκη προστασίας του περιβάλλοντος. Τα κέντρα επισκευών της Black & Decker παραλαμβάνουν παλαιά εργαλεία Black & Decker και φροντίζουν για την απόρριψή τους με ασφαλή για το περιβάλλον τρόπο.



Η ανεξάρτητη συλλογή των μεταχειρισμένων προϊόντων και των υλικών συσκευασίας δίνει τη δυνατότητα ανακύκλωσης και επαναχρησιμοποίησης των υλικών. Με την επαναχρησιμοποίηση των ανακυκλωμένων υλικών αποτρέπεται η μόλυνση του περιβάλλοντος και μειώνεται η ζήτηση πρώτων υλών.

Οι κανονισμοί που ισχύουν στην περιοχή σας ενδέχεται να προβλέπουν την ανεξάρτητη συλλογή των ηλεκτρικών συσκευών που προέρχονται από νοικοκυριά σε κρατικές εγκαταστάσεις ή από τον έμπορο όταν αγοράσετε ένα καινούργιο προϊόν.

Η Black & Decker δίνει τη δυνατότητα ανακύκλωσης των προϊόντων της που έχουν συμπληρώσει τη διάρκεια ζωής τους. Για να χρησιμοποιήσετε αυτήν την υπηρεσία, επιστρέψτε το προϊόν σας σε οποιοδήποτε εξουσιοδοτημένο κέντρο επισκευών, όπου θα το παραλάβουν εκ μέρους σας.

Ενημερωθείτε για το πλησιέστερο εξουσιοδοτημένο κέντρο επισκευών της περιοχής σας, επικοινωνώντας με τα γραφεία της Black & Decker στη διεύθυνση που αναγράφεται στο εγχειρίδιο. Επίσης, για να πληροφορηθείτε για τα εξουσιοδοτημένα κέντρα επισκευών της Black & Decker και τους αρμόδιους των υπηρεσιών που παρέχονται μετά την πώληση, μπορείτε να ανατρέξετε στο Διαδίκτυο, στη διεύθυνση: [www.2helpU.com](http://www.2helpU.com).

#### Τεχνικά χαρακτηριστικά

		GK1000	GK1050
Τάση	V <sub>AC</sub>	230	230
Ισχύς εισόδου	W	550	600
Ταχύτητα αλυσίδας (χωρίς φορτίο)	m/s	2,3	2,3
Μέγιστη διάμετρος κοπής	mm	100	100
Βάρος	kg	3	3

#### Δήλωση συμμόρφωσης με την Ευρωπαϊκή Κοινότητα

GK1000/GK1050

Η Black & Decker δηλώνει ότι τα προϊόντα αυτά συμμορφώνονται με:

98/37/ΕΚ, 89/336/ΕΟΚ, EN 60745, EN 55014, EN61000, EN60335, 2000/14/ΕΚ,

Αλυσοπρίονο ≤ 600 W, Παράρτημα V

Εγγυημένο επίπεδο ηχητικής πίεσης, το οποίο μετράται σύμφωνα με το πρότυπο 2000/14/ΕΚ:

L<sub>pA</sub> (ηχητική πίεση) 87 dB(A),

L<sub>WA</sub> (ακουστική ισχύς) 98 dB(A),

L<sub>WA</sub> (εγγυημένο επίπεδο) 105 dB(A),

συνδυασμένη χειροβραχιονική δόνηση 2,6 m/s<sup>2</sup>

Kevin Hewitt

Διευθυντής Εξυπηρέτησης Πελατών  
Spenningmoor, County Durham DL16 6JG,

Αγγλία Ηνωμένο Βασίλειο

1-5-2005

Για το κλαδευτήρι Alligator™ έχουν υποβληθεί αιτήσεις διπλωμάτων ευρεσιτεχνίας και κατοχύρωσης σχεδίασης στην Ευρώπη, στις Ηνωμένες Πολιτείες και σε άλλες χώρες, παγκοσμίως. Η επωνυμία ALLIGATOR αποτελεί εμπορικό σήμα της Black & Decker Corporation.

## Εγγύηση

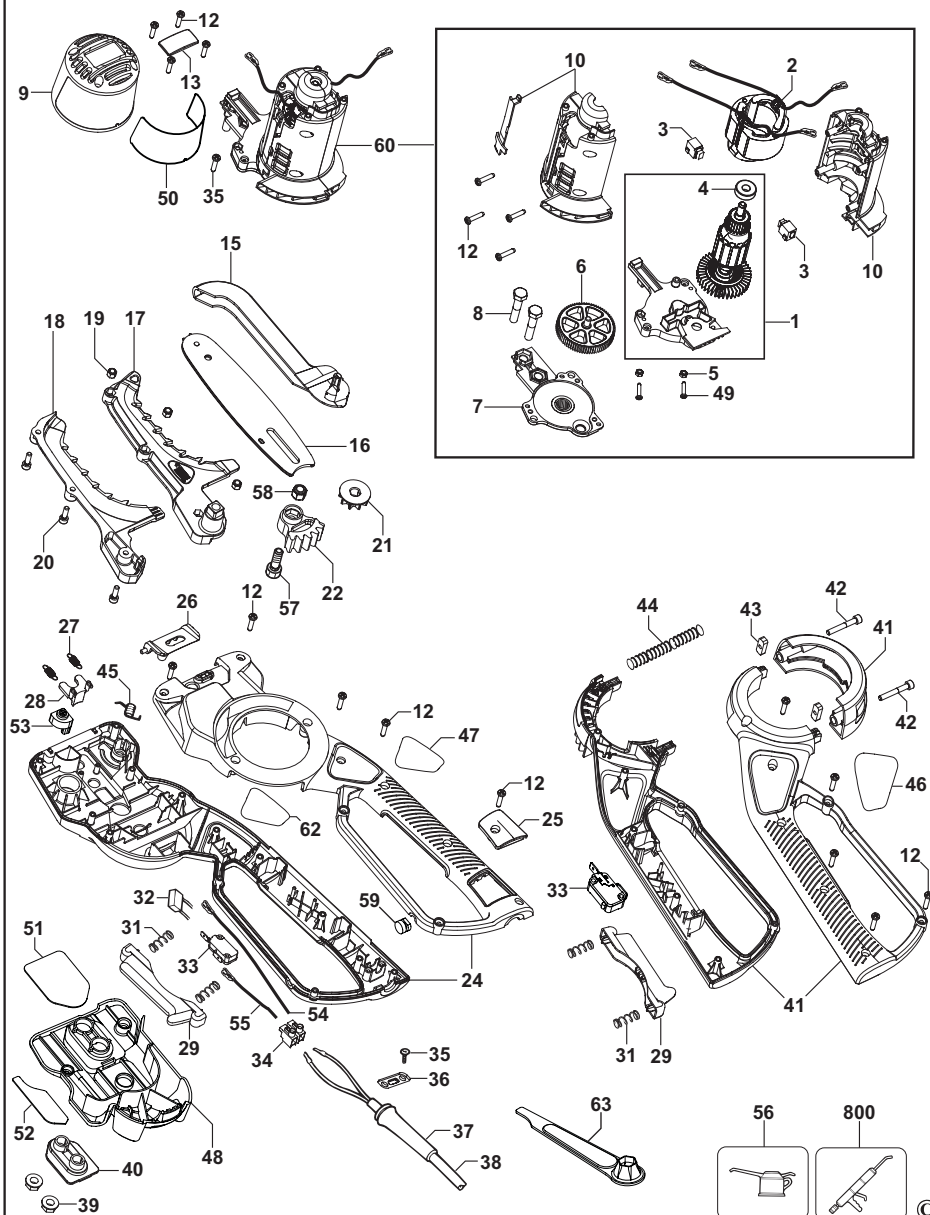
Η Black & Decker είναι σίγουρη για την ποιότητα των προϊόντων της και παρέχει σημαντική εγγύηση. Η παρούσα γραπτή εγγύηση αποτελεί πρόσθετο δικαίωμά σας και δεν ζημιώνει τα νόμιμα δικαιώματά σας. Η εγγύηση ισχύει εντός της επικράτειας των Κρατών Μελών της Ευρωπαϊκής Ένωσης και της Ευρωπαϊκής Ζώνης Ελευθέρων Συναλλαγών.

Σε περίπτωση που κάποιο προϊόν της Black & Decker παρουσιάσει βλάβη εξαιτίας ελαττωματικών υλικών, ποιότητας εργασίας ή έλλειψης συμφωνίας με τις προδιαγραφές εντός 24 μηνών από την ημερομηνία αγοράς, η Black & Decker εγγυάται την αντικατάσταση των ελαττωματικών τμημάτων, την επισκευή προϊόντων που έχουν υποστεί εύλογη φθορά λόγω χρήσης ή την αντικατάσταση των προϊόντων προκειμένου να εξασφαλίσει την ελάχιστη ενόχληση στους πελάτες της, εκτός εάν:

- ◆ Το προϊόν έχει χρησιμοποιηθεί σε εργασιακό, επαγγελματικό περιβάλλον ή αν έχει ενοικιαστεί.
- ◆ Έχει γίνει εσφαλμένη χρήση του προϊόντος ή έχει παραμεληθεί.
- ◆ Το προϊόν έχει υποστεί βλάβη από άλλα αντικείμενα, από ουσίες ή λόγω ατυχήματος.
- ◆ Έχει γίνει προσπάθεια επισκευής από μη εξουσιοδοτημένα κέντρα επισκευών ή από προσωπικό που δεν ανήκει στο προσωπικό της Black & Decker.

Για να ισχύσει η εγγύηση, πρέπει να υποβάλετε απόδειξη αγοράς στον πωλητή ή το εξουσιοδοτημένο κέντρο επισκευών. Ενημερωθείτε για το πλησιέστερο εξουσιοδοτημένο κέντρο επισκευών της περιοχής σας, επικοινωνώντας με τα γραφεία της Black & Decker στη διεύθυνση που αναγράφεται στο εγχειρίδιο. Επίσης, για να πληροφορηθείτε για τα εξουσιοδοτημένα κέντρα επισκευών της Black & Decker και τους αρμόδιους των υπηρεσιών που παρέχονται μετά την πώληση, μπορείτε να ανατρέξετε στο Διαδίκτυο, στη διεύθυνση: [www.2helpU.com](http://www.2helpU.com).

Παρακαλούμε επισκεφθείτε την ιστοσελίδα μας [www.blackanddecker.gr](http://www.blackanddecker.gr) για να καταχωρήσετε το νέο σας προϊόν Black & Decker και για να ενημερώνεστε για τα νέα προϊόντα και τις ειδικές προσφορές. Περισσότερες πληροφορίες σχετικά με τη μάρκα Black & Decker και τη σειρά των προϊόντων μας θα βρείτε στη διεύθυνση [www.blackanddecker.gr](http://www.blackanddecker.gr).



<b>Australia</b>	Black & Decker (Australia) Pty. Ltd. 20 Fletcher Road, Mooroolbark, Victoria, 3138	Tel. 03-8720 5100 Fax 03-9727 5940
<b>België/Belgique</b>	Black & Decker (Belgium) N.V. Campus Noord, Schaliënhoevedreef 20E 2800 Mechelen	Tel. 015 - 47 92 11 Fax 015 - 47 92 10
<b>Danmark</b>	Black & Decker Sluseholmen 2-4, 2450 København SV Internet: <a href="http://www.blackanddecker.dk">www.blackanddecker.dk</a>	Tel. 70 20 15 30 Fax 36 94 49 01
<b>Deutschland</b>	Black & Decker GmbH Black & Decker Str. 40, D - 65510 Idstein	Tel. 06126/21 - 0 Fax 06126/21 29 80
<b>Ελλάδα</b>	Black & Decker (Ελλάς) A.E. Στράβωνος 7 & Λεωφ. Βουλιαγμένης 159 166 74 Γλυφάδα - Αθήνα	Τηλ. 210 8981616 Τηλ. 210 8982630 Φαξ Service 210 8983285
<b>España</b>	Black & Decker Ibérica, S.C.A. Parque de Negocios "Mas Blau" Edificio Muntadas, c/Bergadá, 1, Of. A6 08820 El Prat de Llobregat (Barcelona)	Tel. 934 797 400 Fax 934 797 419
<b>France</b>	Black & Decker (France) S.A.S. B.P. 21, 69571 Dardilly Cédex	Tel. 04 72 20 39 20 Fax 04 72 20 39 00
<b>Helvetia</b>	ROFO AG Gewerbezone Seeblick 3213 Kleinbödingen	Tel. 026-6749391 Fax 026-6749394
<b>Italia</b>	Black & Decker Italia SpA Viale Elvezia 2 20052 Monza (MI)	Tel. 039-23871 Fax 039-2387592/2387594 Numero verde 800-213935
<b>Nederland</b>	Black & Decker Benelux Joulehof 12, 4622 RG Bergen op Zoom	Tel. 0164 - 283000 Fax 0164 - 283100
<b>New Zealand</b>	Black & Decker 81 Hugo Johnston Drive Penrose, Auckland, New Zealand	Tel. 09 579 7600 Fax 09 579 8200
<b>Norge</b>	Black & Decker (Norge) A/S Postboks 4814, Nydalen, 0422 Oslo Internet: <a href="http://www.blackanddecker.no">www.blackanddecker.no</a>	Tlf. 22 90 99 00 Fax 22 90 99 01
<b>Österreich</b>	Black & Decker Vertriebsges.m.b.H Erlaaerstraße 165, 1231 Wien	Tel. 01 66116-0 Fax 01 66116-14
<b>Portugal</b>	Black & Decker Rua Egas Moniz 173 S. João do Estoril 2766-651 Estoril	Tel. 214667500 Fax 214667575
<b>Suomi</b>	Black & Decker Oy Keilasatama 3, 02150 Espoo Black & Decker Oy, Kägelhamnen 3, 02150 Esbo	Puh.: 010 400 430 Faksi: (09) 2510 7100 Tel: 010 400 430 Fax: (09) 2510 7100
<b>Sverige</b>	Black & Decker AB Fabriksg. 7, 412 50 Göteborg	Tel: 031-68 60 60 Fax: 031-68 60 80
<b>Türkiye</b>	İntratek Mühendislik ve Dış Tic. A.Ş. Ortaklar Cad. No:19/2 80290 Mecidiyeköy / İstanbul	Tel. 0212 211 22 10 Faks 0212 266 33 03
<b>United Kingdom</b>	Black & Decker 210 Bath Road Slough, Berkshire SL1 3YD	Tel. 01753 511234 Fax 01753 551155 Helpline 01753 574277
<b>Middle East &amp; Africa</b>	Black & Decker (Overseas) A.G. PB 5420, Dubai, United Arab Emirates	Tel. +971 4 2826464 Fax +971 4 2826466

Dealer address  
Händleradresse  
Cachet du revendeur  
Indirizzo del rivenditore  
Adres van de dealer  
Dirección del detallista  
Morada do revendedor  
Återförsäljarens adress  
Forhandlerens adresse  
Forhandler adresse  
Jälleemmyjiän osoite  
Διεύθυνση αντιπροσώπου

◆ Name ◆ Nom ◆ Nome  
◆ Name ◆ Nombre ◆ Nome ◆ Namn  
◆ Navn ◆ Navn ◆ Nimi ◆ Oνομα:

◆ Address ◆ Adresse ◆ Adresse ◆ Indirizzo ◆  
Adres ◆ Dirección ◆ Morada ◆ Address ◆◆  
Adresse ◆ Adresse ◆ Osoite ◆ Διεύθυνση:

◆ Town ◆ Ort ◆ Ville ◆ Città ◆ Plaats  
◆ Ciudad ◆ Localidade ◆ Ort ◆ By ◆ By  
◆ Paikkakunta ◆ Πόλη:

◆ Postal code ◆ Postleitzahl ◆ Code postal ◆  
Codice postale ◆ Postcode  
◆ Código ◆ Código postal ◆ Postnr.  
◆ Postnr. ◆ Postnr. ◆ Postnummero  
◆ Κωδικός

◆ Is this tool a gift? ◆ Ist dieses Gerät ein  
Geschenk? ◆ S'agit-il d'un cadeau? ◆ Si tratta  
di un regalo? ◆ Kreeg u de machine als cadeau?  
◆ ¿Ha recibido usted esta herramienta como  
regalo? ◆ Recebeu esta ferramenta como  
presente? ◆ Är verktyget en gåva?  
◆ Er verktoyet en gave? ◆ Er verktojet en gave?  
◆ Onko kone lahja?  
◆ Το εργαλείο είναι δώρο?

Yes ◆ Ja ◆ Oui ◆ Si ◆ Ja ◆ Si  
 Sim ◆ Ja ◆ Ja ◆ Ja ◆ Kyllä ◆ Nαι  
 No ◆ Nein ◆ Non ◆ No ◆ Nee  
 No ◆ Não ◆ Nej ◆ Nei ◆ Nej  
 Ei ◆ Oχι

◆ Is this tool your first purchase? ◆ Ist dieses  
Gerät ein Erstkauf? ◆ Est-ce un 1er achat? ◆  
Questo prodotto è il suo primo acquisto? ◆ Is  
deze machine uw eerste aankoop? ◆ ¿Es esta  
herramienta la primera de este tipo?  
◆ Esta ferramenta é a sua primeira compra? ◆  
Är detta ditt första B&D-verktyg? ◆ Er dette ditt  
første B&D verktoy? ◆ Er dette ditt første B&D  
verktøj? ◆ Onko tämä ensimmäinen B&D-

Date of purchase  
Kaufdatum  
Date d'achat  
Data d'acquisto  
Aankoopdatum  
Fecha de compra  
Data de compra  
Inköpsdatum  
Imkjõpsdato  
Indkøbsdato  
Ostopaivä  
Ημερομηνία αγοράς

koneesi? ◆ Είναι το εργαλείο αυτό η  
πρώτη σας αγορά?

Yes ◆ Ja ◆ Oui ◆ Si ◆ Ja ◆ Si  
 Sim ◆ Ja ◆ Ja ◆ Ja ◆ Kyllä ◆ Nαι  
 No ◆ Nein ◆ Non ◆ No ◆ Nee  
 No ◆ Não ◆ Nej ◆ Nei ◆ Nej  
 Ei ◆ Oχι

◆ Dealer address ◆ Händleradresse  
◆ Cachet du revendeur ◆ Indirizzo del  
rivenditore ◆ Adres van de dealer  
◆ Dirección del detallista ◆ Morada do  
revendedor ◆ Återförsäljarens adress  
◆ Forhandlerens adresse ◆ Forhandler adresse  
◆ Jälleemmyjiän osoite  
◆ Διεύθυνση αντιπροσώπου

Cat. no.:



Date of purchase  
Kaufdatum  
Date d'achat  
Data d'acquisto  
Aankoopdatum  
Fecha de compra  
Data de compra  
Inköpsdatum  
Imkjõpsdato  
Indkøbsdato  
Ostopaivä  
Ημερομηνία αγοράς

◆ Data protection act: Tick the box if you prefer  
not to receive further information. ◆ Bitte  
ankreuzen, falls Sie keine weiteren  
Informationen erhalten möchten. ◆ Si vous ne  
souhaitez pas recevoir d'informations, cochez  
cette case. ◆ Barrate la casella se non  
desiderate ricevere informazioni.  
◆ A.u.b. ditt vakje aankreuzen indien u geen  
informatie wenst te ontvangen.

◆ Señale en la casilla sino quiere recibir  
información. ◆ Por favor, assinala com uma cruz  
se não desejar receber informação. ◆ Vänligen  
kryssa för i rutan om Ni inte vill få information.  
◆ Venligst kryss av dersom du ikke ønsker  
informasjon. ◆ Venligst sæt kryds i ruden  
såfremt De ikke måtte ønske at modtage  
information.

◆ Merkkikää rasti ruutuun, mikäli ette halua  
vastaanottaa informaatiota.  
◆ Παρακαλείστε να σημειώσετε εάν δεν θέλετε  
να πάρετε πληροφορίες.

- ◆ GUARANTEE CARD
- ◆ GARANTIEKAART
- ◆ GARANTI KORT
- ◆ GARANTIEKARTE
- ◆ TARJETA DE GARANTIA
- ◆ GARANTI KORT
- ◆ CARTE DE GARANTIE
- ◆ CARTÃO DE GARANTIA
- ◆ TAKUUKORTTI
- ◆ TAGLIANDO DI GARANZIA
- ◆ GARANTIBEVIS
- ◆ KAPTA EFTYHSHZ



**English**

Please complete this section immediately after the purchase of your tool and send it to Black & Decker in your country. If you live in Australia or New Zealand, please register by using the alternative guarantee card supplied.

**Deutsch**

Bitte schneiden Sie diesen Abschnitt ab, stecken ihn in einen frankierten Umschlag und schicken ihn an die Black & Decker Adresse Ihres Landes.

**Français**

Découpez cette partie et envoyez-la sous enveloppe timbrée à l'adresse de Black & Decker dans votre pays. ceci immédiatement après votre achat.

**Italiano**

Per favore ritagliate questa parte, inseritela in una busta con francobollo e spedite la subito dopo l'acquisto del prodotto all'indirizzo della Black & Decker nella vostra nazione.

**Nederlands**

Knip dit gedeelte uit en zend het direct na aankoop in een gefrankeerde, geadresseerde envelop naar het adres van Black & Decker in uw land.

**Español**

Después de haber comprado su herramienta envíe usted, por favor, esta tarjeta a la central de Black & Decker en su país.

**Português**

Por favor, recorte esta parte, coloque-a num envelope selado e endereçado e envie-o logo após a compra do seu produto para o endereço da Black & Decker do seu país.

**Svenska**

Var vänlig klipp ur denna del och sänd den i ett frankerat kuvert till Black & Deckers adress i Ditt land.

**Norsk**

Vennligst klipp ut denne delen umiddelbart etter du har pakket ut ditt produkt og legg det i en adressert konvolutt til Black & Decker (Norge) A/S.

**Dansk**

Venligst klip denne del ud og send frankeret til Black & Decker i dit land.

**Suomi**

Leikkää iriti tämä osa, laita se kuoreen ja postita kuori paikalliseen Black & Decker osoitteeseen.

**Ελληνικά**

Παράκατω κόψτε αυτό το κομμάτι και τοχυλοποιήστε το μετρώς μετά την αγορά του προϊόντος σας στην διεύθυνση της Black & Decker στην Ελλάδα.