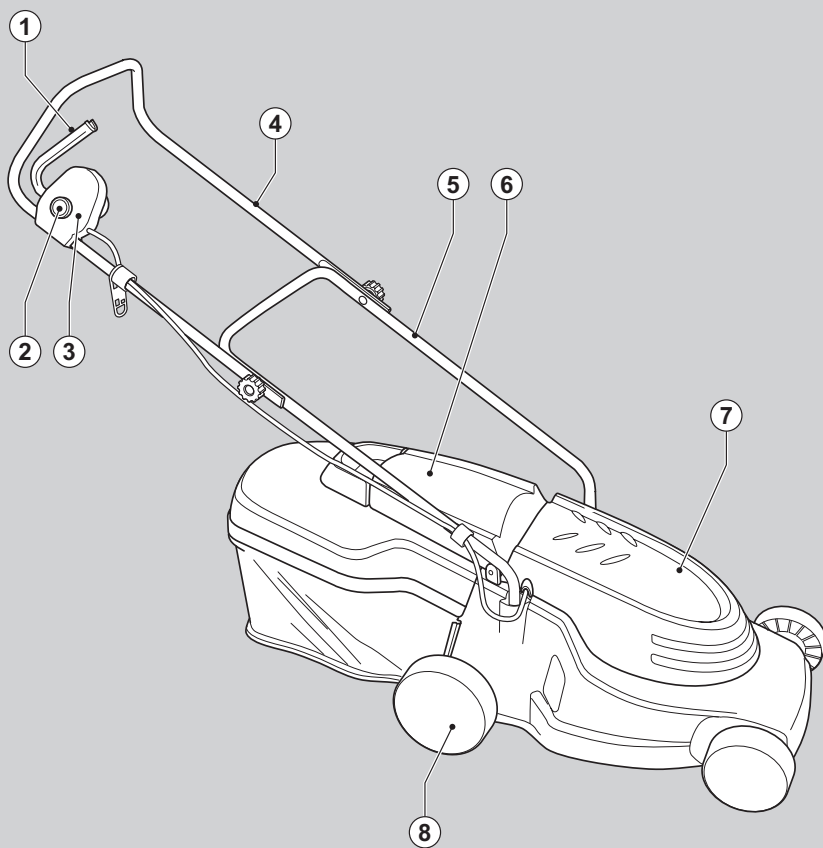
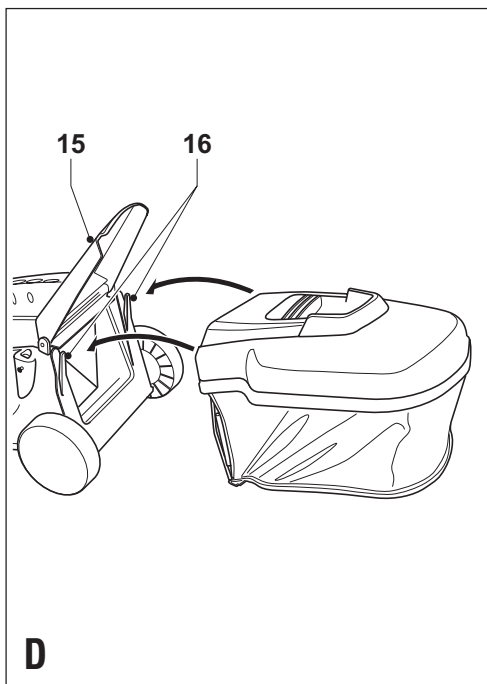
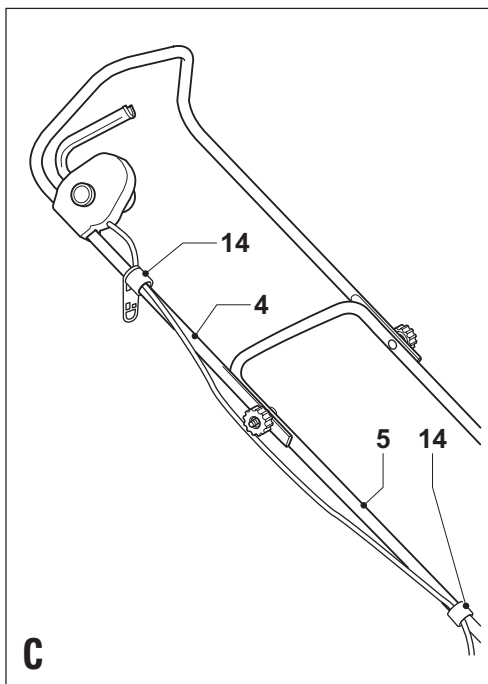
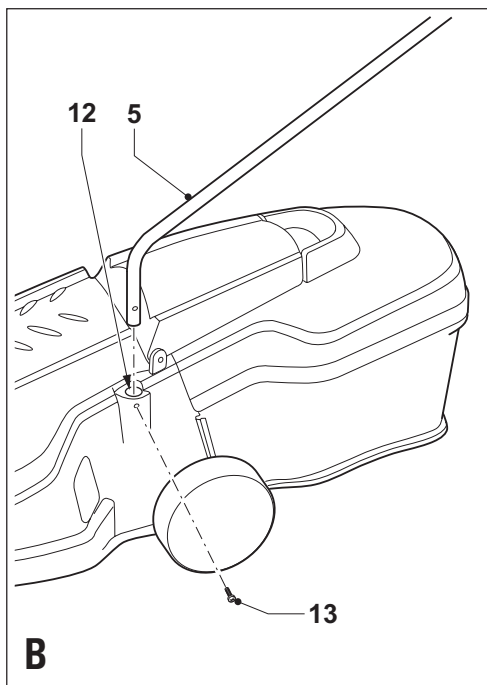
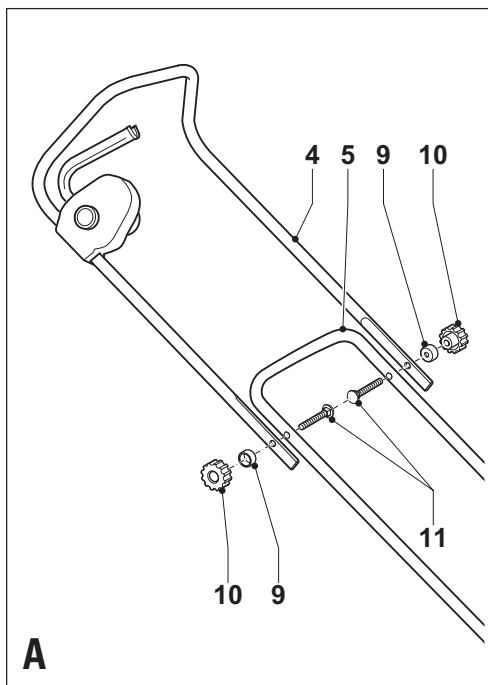


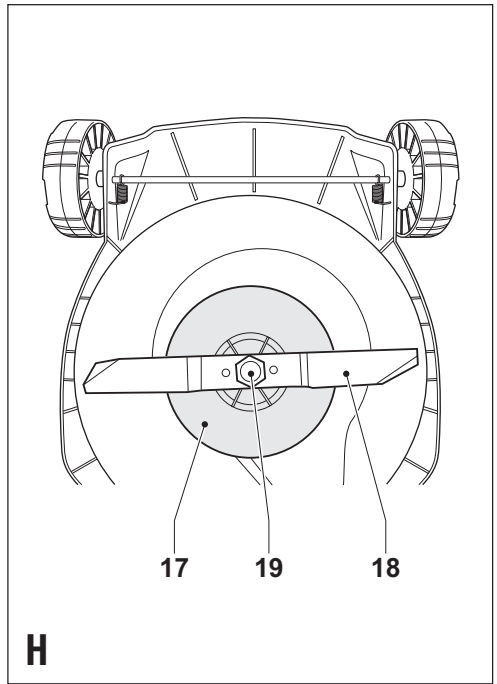
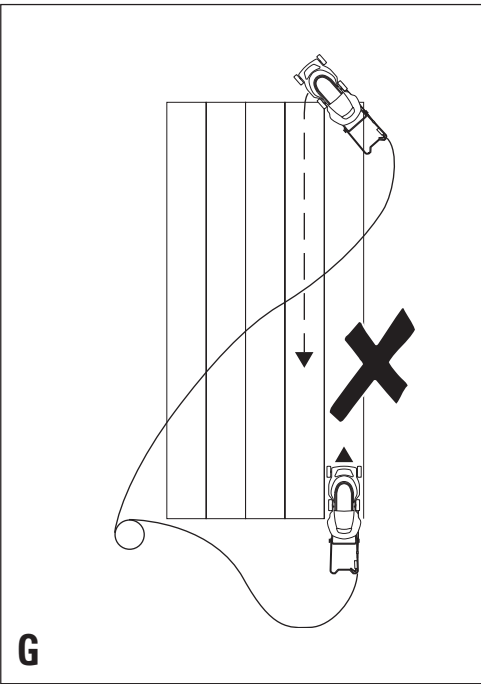
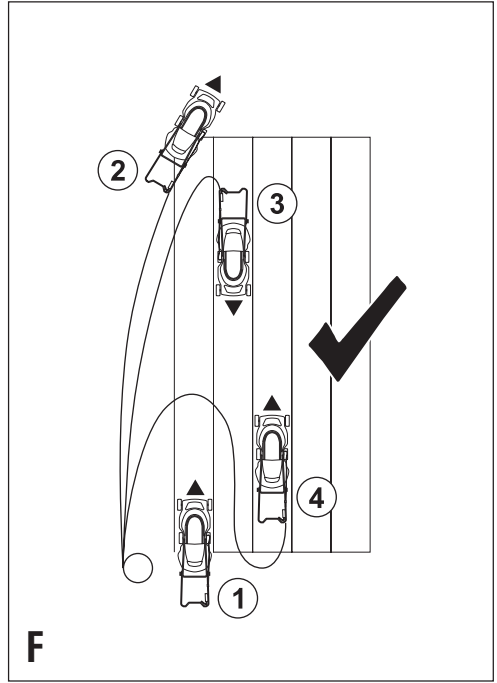
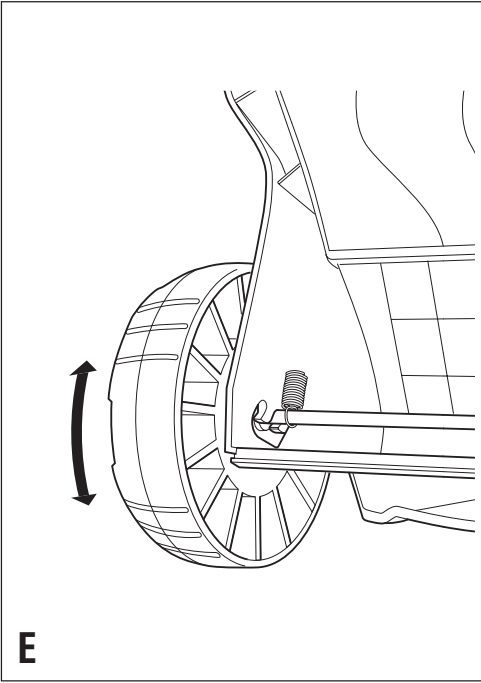
BLACK & DECKER®

www.blackanddecker.com



English	4
Deutsch	9
Français	14
Italiano	19
Nederlands	24
Español	29
Português	34
Svenska	39
Norsk	44
Dansk	49
Suomi	54
Ελληνικά	59





Intended use

Your Black & Decker mower has been designed for mowing grass. This tool is intended for consumer use only.

Safety instructions

- ◆ **Warning!** When using mains-powered appliances, basic safety precautions, including the following, should always be followed to reduce the risk of fire, electric shock and personal injury.
- ◆ Read all of this manual carefully before operating the appliance.
- ◆ Before operating the appliance, make sure that you know how to switch it off in an emergency.
- ◆ Retain this manual for future reference.

Training

- ◆ Read the instructions carefully. Be familiar with the controls and the proper use of the appliance.
- ◆ Do not allow children or any person unfamiliar with these instructions to operate the appliance. Local regulations may restrict the age of the operator.
- ◆ Never use the appliance while people, especially children, or pets are nearby.
- ◆ Remember that the operator will be held responsible for accidents or hazards occurring to other people or their property.

Preparation

- ◆ Wear stout shoes or boots to protect your feet. Do not operate the appliance wearing open-toed sandals or when barefoot. Wear long trousers to protect your legs.
- ◆ Wear safety glasses or goggles when operating this tool. Use a face or dust mask whenever the operations take place in dusty surroundings. Hearing protection should be worn whenever the sound level seems uncomfortable.
- ◆ Guard against electric shock. Prevent body contact with earthed or grounded surfaces (e.g. metal railings, lamp-posts, etc.).
- ◆ Before using the appliance, visually check that the blade, blade nut and cutter assembly are not worn or damaged. Check that the blade nut is securely fastened.
- ◆ Before starting the operation, check that your mowing path is free from sticks, stones, wire and any other objects.

Operation

- ◆ Never operate the appliance with defective guards or shields, or without safety devices, for example deflectors and/or grass catchers, in place.
- ◆ Only use the appliance in daylight or good artificial light.
- ◆ Do not expose the appliance to rain. Do not use the appliance in damp or wet conditions.

Preferably do not use the appliance in wet grass.

- ◆ Be sure of your footing, particularly on slopes. Be aware that freshly cut grass is damp and slippery. Do not work on steep slopes.
- ◆ Work across the face of slopes, never up and down. Take extreme caution when changing direction on slopes.
- ◆ Walk, never run when using the appliance. Do not pull the appliance towards you or walk backwards when using the appliance.
- ◆ Switch on the appliance according to instructions and with your feet well away from the blade.
- ◆ Do not tilt appliance when switching it on, except if the appliance has to be tilted for starting. In that case, do not tilt the appliance more than absolutely necessary and lift only the part that is away from the operator. Always ensure that both hands are in the operating position before returning the appliance to the ground.
- ◆ Switch off the appliance and wait for the blade assembly to stop running if the appliance has to be tilted for transportation when crossing surfaces other than grass, and when transporting the appliance to and from the area to be mowed.
- ◆ Do not lift or carry the appliance until the blade has come to a complete standstill.
- ◆ Keep your hands and feet well away from the blade. Do not put your hands or feet near or under rotating parts.
- ◆ Keep away from discharge openings at all times.
- ◆ Switch off, remove the plug from the socket and ensure that moving parts have stopped rotating before leaving the appliance unattended and before changing, cleaning or inspecting any parts of the appliance or clearing a blockage. If the appliance starts to vibrate abnormally or if you hit a foreign object, switch the appliance off and remove the plug from the socket. Check for any damage to the appliance.
- ◆ Take care to keep the mains cable away from the blade. Always be aware of the position of the cable.
- ◆ The motor will continue to run for a few seconds after switching the appliance off. Never attempt to force the blade to come to a standstill.

Maintenance and storage

- ◆ Before use, check the appliance for damaged or defective parts. Check for misalignment and seizure of moving parts, breakage of parts, damage to guards and switches and any other conditions that may affect its operation. Ensure that the appliance will operate properly and perform its intended function. Never use the appliance when any guard or enclosure is damaged or not in place. Do not use the appliance if any part is damaged or defective. Do not use the appliance if the switch does not turn it on and off.

Have any damaged or defective parts repaired or replaced by an authorised repair agent.

- ◆ Check the cable frequently for damage. If the cable is damaged, it must be replaced by an authorised repair agent in order to prevent a hazard. Inspect extension cables periodically. Replace a damaged extension cable immediately.
- ◆ Keep all nuts, bolts and screws on the appliance tight to ensure a safe working condition.
- ◆ Check the grass bag for wear or damage and replace it if necessary. Never use the appliance without the grass bag.
- ◆ When not in use, the appliance should be stored in a dry place. Children should not have access to stored appliances.
- ◆ Ensure that only replacement cutting means of the right type are used.
- ◆ Use only Black & Decker recommended spare parts and accessories.

Warning symbols

The following warning symbols are found on the appliance:



Read the manual prior to operation.



Do not expose the appliance to rain or high humidity.



Remove the plug from the socket if the mains cable is damaged.



Keep bystanders away.



Remove the plug from the socket before carrying out any adjustment, servicing or maintenance.



Beware of sharp edges.



Keep the cable away from the cutting blades.

Electrical safety

The appliance must always be switched off at the mains before disconnecting any plug and socket connector or extension cable.

Double insulation



This appliance is double insulated in accordance with EN 60335; therefore no earth wire is required. Always check that the power supply corresponds to the voltage on the rating plate.

Electric safety can be further improved by using a high-sensitivity 30 mA residual current device (RCD).

Using an extension cable

Always use an approved extension cable suitable for the power input of this tool (see technical data). The extension cable must be suitable for outdoor use and marked accordingly. Up to 30 m of 1,5 mm H05VV-F extension cable can be used without loss of product performance. Before use, inspect the extension cable for signs of damage, wear and ageing. Replace the extension cable if damaged or defective. When using a cable reel, always unwind the cable completely.

Features

1. On/off switch
2. Lock-off button
3. Switch box
4. Upper handle
5. Lower handle
6. Grass bag
7. Motor cover
8. Wheels

Assembly

Warning! Before assembly, make sure that the appliance is switched off and unplugged.

Assembling the handle (fig. A)

- ◆ Fit the lower handle part (5) to the upper handle (4) using the knobs (9), washers (10) and screws (11) as shown.

Fitting the handle (fig. B)

- ◆ Insert the ends of the lower handle (5) into the corresponding holes (12) in the mower.
- ◆ Press the handle down as far as it will go.
- ◆ Secure the handle using the screws (13).

Fixing the cable (fig. C)

The mains cable has to be fixed using the cable restraints.

- ◆ Clip the one restraint (14) onto the cable leading from the switchbox to the motor. Secure the restraint to the lower handle (5).
- ◆ Clip the other restraint (14) onto the cable leading from the switchbox to the mains plug. Secure the restraint to the upper handle (4).

Warning! Make sure the cable is secured using the cable restraints prior to connecting the plug to the mains outlet.

Fitting the grass bag (fig. D)

- ◆ Lift the flap (15) and place the grass bag over the lugs (16).

Use

Warning! Let the appliance work at its own pace. Do not overload.

Adjusting the height of cut (fig. E)

The height of cut is adjusted by changing the height of the wheels.

Warning! Disconnect the appliance from the mains and wait until the blade has stopped rotating before proceeding.

- ◆ Release the wheels (8) by swivelling them out of the locked position.
- ◆ Set the wheels to the desired height setting.
- ◆ Swivel the wheels back into the locked position, making sure that all wheels are set to the same height.

Switching on and off

Switching on

- ◆ Hold the handle with both hands and tilt it slightly downwards to raise the front of the appliance.
- ◆ Keep the lock-off button (2) depressed and pull the on/off switch (1) towards you.
- ◆ Release the lock-off button.
- ◆ Let the appliance return to its working position.

Switching off

- ◆ To switch the appliance off, release the on/off switch.

Warning! Never attempt to lock a switch in the on position.

Mowing (fig. F & G)

We recommend to use your mower as outlined in this section in order to achieve optimum results and to reduce the risk of cutting the mains cable.

- ◆ Place the bulk of the mains cable on the lawn, close to the starting point (position 1 in fig. F).
- ◆ Switch the appliance on as described above.
- ◆ Proceed as shown in fig. F.
 - ◆ Move from position 1 to position 2.
 - ◆ Turn right and proceed towards position 3.
 - ◆ Turn left and move towards position 4.
- ◆ Repeat the above procedure as required.

Warning! Do not work towards the cable as shown in fig. G.

Emptying the grass bag

- ◆ When you see loose grass scattering from beneath the mower, empty the grass bag.

Warning! Never use the appliance without the grass bag.

Hints for optimum use

- ◆ If the grass is longer than approx. 10 cm, make two cuts to obtain a better finish. First mow at maximum height of cut, then use a low or medium height of cut.
- ◆ In order to achieve optimum results, only mow dry grass.

Maintenance

Your Black & Decker appliance has been designed to operate over a long period of time with a minimum of maintenance. Continuous satisfactory operation depends upon proper appliance care and regular cleaning.

- ◆ Keep the appliance clean and dry.
- ◆ Regularly clean the ventilation slots with a clean, dry paint brush.
- ◆ Regularly use a blunt scraper to remove grass and dirt from the appliance.
- ◆ To clean the appliance, use only mild soap and a damp cloth. Never let any liquid get inside the tool and never immerse any part of the tool into liquid. Do not use any abrasive or solvent-based cleaner.

Blade maintenance

- ◆ Regularly remove grass and dirt from the blade.
- ◆ At the beginning of the gardening season, carefully examine the condition of the blade.
- ◆ If the blade is very blunt, sharpen or replace the blade.
- ◆ If the blade is damaged or worn, fit a new blade as described below.

Replacing the blade (fig. H)

A replacement blade is available from your Black & Decker dealer.

- GR389: cat. no. A6389

Warning! Observe the following precautions:

- ◆ Disconnect the appliance from the mains and wait until the blade has stopped rotating before proceeding.
- ◆ Be careful not to cut yourself. Use heavy-duty gloves or a cloth to grip the blade.
- ◆ Only use the specified replacement blade.
- ◆ Do not remove the impeller (17) for any reason.

To replace the blade:

- ◆ Turn the appliance onto its side.
- ◆ Grip the blade (18) with one hand.
- ◆ Use the spanner supplied to loosen and remove the blade nut (19).
- ◆ Replace the blade.
- ◆ Refit the washer (if fitted before) and nut.
- ◆ Securely tighten the blade nut.

Troubleshooting

If your appliance seems not to operate properly, follow the instructions below. If this does not solve the problem, please contact your local Black & Decker repair agent.

Warning! Before proceeding, remove the plug from the socket.

Motor buzzes but blade does not move

- ◆ Carefully remove any obstructions from the blade.

No noise and blade does not move

- ◆ Check that the power cables are properly connected.
- ◆ Check the mains fuses.

Mains plug replacement (U.K. & Ireland only)

If a new mains plug needs to be fitted:

- ◆ Safely dispose of the old plug.
- ◆ Connect the brown lead to the live terminal in the new plug.
- ◆ Connect the blue lead to the neutral terminal.
- ◆ Connect the green/yellow lead to the earth terminal.

Warning! Follow the fitting instructions supplied with good quality plugs. Recommended fuse: 13 A.

Protecting the environment



Separate collection. This product must not be disposed of with normal household waste.

Should you find one day that your Black & Decker product needs replacement, or if it is of no further use to you, do not dispose of it with household waste. Make this product available for separate collection.



Separate collection of used products and packaging allows materials to be recycled and used again. Re-use of recycled materials helps prevent environmental pollution and reduces the demand for raw materials.

Local regulations may provide for separate collection of electrical products from the household, at municipal waste sites or by the retailer when you purchase a new product.

Black & Decker provides a facility for the collection and recycling of Black & Decker products once they have reached the end of their working life. To take advantage of this service please return your product to any authorised repair agent who will collect them on our behalf.

You can check the location of your nearest authorised repair agent by contacting your local Black & Decker office at the address indicated in this manual. Alternatively, a list of authorised Black & Decker repair agents and full details of our after-sales service and contacts are available on the Internet at: www.2helpU.com

Technical data

	GR 369 LM382	GR383	GR384 GR389
Voltage	V 230	230	230
Power input	W 1,200	1,300	1,400
No-load speed	min ⁻¹ 2,700	2,700	2,700
Blade length	mm 380	380	380
Weight	kg 14.5	14.5	14.5

EC declaration of conformity

GR369, GR383, GR384, GR389, LM382

Black & Decker declares that these products conform to:
98/37/EC, 89/336/EEC, 73/23/EEC, EN 55014, EN 60335,
EN 61000, 2000/14/EC,

Lawn mower, L ≤ 50 cm, Annex VI, No. 499
SNCH, L-5230 Sandweiler, Luxembourg

L_{pA} (sound pressure) 75 dB(A), L_{WA} (acoustic power) 88 dB(A),
 L_{WA} (guaranteed) 96 dB(A), hand/arm weighted vibration 1,5 m/s²

Kevin Hewitt
Director of Consumer Engineering
Pennymoor, County Durham DL16 6JG,
United Kingdom
1-8-2004

Guarantee

Black & Decker is confident of the quality of its products and offers an outstanding guarantee. This guarantee statement is in addition to and in no way prejudices your statutory rights. The guarantee is valid within the territories of the Member States of the European Union and the European Free Trade Area.

If a Black & Decker product becomes defective due to faulty materials, workmanship or lack of conformity, within 24 months from the date of purchase, Black & Decker guarantees to replace defective parts, repair products subjected to fair wear and tear or replace such products to ensure minimum inconvenience to the customer unless:

- ◆ The product has been used for trade, professional or hire purposes;
- ◆ The product has been subjected to misuse or neglect;
- ◆ The product has sustained damage through foreign objects, substances or accidents;

- ◆ Repairs have been attempted by persons other than authorised repair agents or Black & Decker service staff.

To claim on the guarantee, you will need to submit proof of purchase to the seller or an authorised repair agent. You can check the location of your nearest authorised repair agent by contacting your local Black & Decker office at the address indicated in this manual. Alternatively, a list of authorised Black & Decker repair agents and full details of our after-sales service and contacts are available on the Internet at:

www.2helpU.com

Please visit our website **www.blackanddecker.co.uk** to register your new Black & Decker product and to be kept up to date on new products and special offers. Further information on the Black & Decker brand and our range of products is available at **www.blackanddecker.co.uk**

Bestimmungsgemäße Verwendung

Ihr Black & Decker Mäher wurde zum Mähen von Rasen konstruiert.

Dieses Gerät ist nicht für den gewerblichen Einsatz vorgesehen.

Sicherheitsanweisungen

- ◆ **Achtung!** Bei der Verwendung elektrischer Geräte sind zum Schutz gegen Feuergefahr, gegen elektrischen Schlag sowie gegen Körperverletzungen grundlegende Sicherheitsmaßnahmen einschließlich der folgenden Vorschriften zu beachten.
- ◆ Lesen Sie diese Anleitung gründlich durch, bevor Sie das Gerät verwenden.
- ◆ Informieren Sie sich vor der Inbetriebnahme, wie Sie das Gerät im Notfall ausschalten.
- ◆ Bewahren Sie diese Anleitung auf.

Schulung

- ◆ Lesen Sie diese Anleitung sorgfältig durch. Machen Sie sich mit den Bedienungselementen und dem richtigen Gebrauch des Geräts vertraut.
- ◆ Untersagen Sie Kindern sowie Personen, die sich mit dem Inhalt dieser Anleitung nicht auskennen, die Verwendung dieses Geräts. Die regionale Gesetzgebung sieht möglicherweise eine Mindestaltersbeschränkung vor.
- ◆ Verwenden Sie das Gerät niemals, wenn sich Personen, insbesondere Kinder oder Tiere, in der Nähe aufhalten.
- ◆ Denken Sie daran, daß der Benutzer für Unfälle und Schäden haftet.

Vorbereitung

- ◆ Tragen Sie zum Schutz Ihrer Füße feste Schuhe oder Stiefel. Verwenden Sie das Gerät nicht barfuß oder mit offenen Sandalen. Tragen Sie zum Schutz Ihrer Beine eine lange Hose.
- ◆ Tragen Sie bei der Verwendung dieses Geräts eine Schutzbrille! Tragen Sie einen Gesichtsschutz bzw. eine Staubmaske, wenn der Einsatz in einer staubigen Umgebung stattfindet. Falls der Lärmpegel unannehmlich ist, tragen Sie einen Gehörschutz.
- ◆ Schutz vor elektrischem Schlag. Vermeiden Sie eine Berührung des Körpers mit geerdeten Gegenständen (z.B. Metallgeländer, Laternenpfähle usw.).
- ◆ Vergewissern Sie sich vor der Verwendung des Gerätes, daß das Messer, die Messermutter und Schneidvorrichtung nicht beschädigt sind. Vergewissern Sie sich, daß die Messermutter sicher angezogen ist.
- ◆ Bevor Sie beginnen, vergewissern Sie sich, daß der Mähbereich frei von Stöcken, Steinen, Draht und anderen Fremdkörpern ist.

Bedienung

- ◆ Betreiben Sie das Gerät niemals mit beschädigten Schutzvorrichtungen oder Abschirmungen und niemals, ohne daß die Sicherheitsvorrichtungen wie beispielsweise die Deflektoren und/oder Grasfänger an ihren entsprechenden Plätzen angebracht sind.
 - ◆ Verwenden Sie das Gerät nur bei Tageslicht oder guter künstlicher Beleuchtung.
 - ◆ Setzen Sie das Gerät keinem Regen aus. Verwenden Sie das Gerät nicht in einer feuchten oder nassen Umgebung. Verwenden Sie das Gerät nach Möglichkeit nicht in nassem Rasen.
 - ◆ Achten Sie auf Ihre Stellung, besonders auf Hängen. Beachten Sie, daß frisch geschnittener Rasen feucht und rutschig ist. Arbeiten Sie nicht auf steilen Hängen.
 - ◆ Schneiden Sie entlang der Böschung, nie von oben nach unten. Seien Sie beim Ändern der Richtung auf Hängen besonders vorsichtig.
 - ◆ Verwenden Sie das Gerät ausschließlich im Schrittempo. Ziehen Sie das Gerät nicht zu Ihnen hin, und gehen Sie beim Gebrauch des Gerätes nicht rückwärts.
 - ◆ Schalten Sie das Gerät gemäß den Anweisungen ein und halten Sie Ihre Füße ausreichend vom Messer fern.
 - ◆ Neigen Sie das Gerät nicht beim Einschalten. Dies darf nur geschehen, wenn das Gerät zum Starten geneigt werden muß. In diesem Fall darf das Gerät nicht mehr als absolut notwendig geneigt werden. Außerdem darf nur der vom Bediener wegliegende Teil angehoben werden. Stellen Sie stets sicher, daß sich beide Hände in der Bedienstellung befinden, bevor das Gerät auf den Boden zurückgebracht wird.
 - ◆ Schalten Sie das Gerät aus und warten Sie, bis das Messer zum Stillstand gekommen ist, falls das Gerät zum Transport geneigt werden muß, um rasenlose Flächen zu überqueren oder um das Gerät zu der zu mähenden Fläche hin- bzw. wegzutransportieren.
 - ◆ Heben oder tragen Sie das Gerät erst, wenn das Messer vollkommen zum Stillstand gekommen ist.
 - ◆ Halten Sie Ihre Hände und Füße ausreichend vom Messer fern. Bringen Sie Ihre Hände und Füße niemals in die Nähe der bzw. unter die rotierenden Teile.
 - ◆ Halten Sie sich stets von den Auswurföffnungen fern.
 - ◆ Schalten Sie das Gerät aus, ziehen Sie den Netzstecker und vergewissern Sie sich, daß die rotierenden Teile zum Stillstand gekommen sind, bevor Sie das Gerät unbeaufsichtigt zurücklassen und bevor Sie irgendwelche Teile des Gerätes austauschen, reinigen oder überprüfen oder eine Blockierung beseitigen.
- Falls das Gerät beginnt, stark zu vibrieren, oder falls Sie einen Fremdkörper berührt haben, schalten Sie das Gerät aus und ziehen Sie den Netzstecker. Überprüfen Sie, ob das Gerät in irgendeiner Weise beschädigt wurde.

- ◆ Halten Sie das Netzkabel vom Messer fern. Achten Sie immer auf die Lage des Kabels.
- ◆ Nach dem Ausschalten des Gerätes läuft der Motor noch einige Sekunden lang nach. Versuchen Sie nie, das Messer mit Gewalt zum Stillstand zu bringen.

Wartung und Lagerung

- ◆ Überprüfen Sie das Gerät vor dem Gebrauch auf beschädigte oder defekte Teile. Vergewissern Sie sich, daß alle beweglichen Teile richtig montiert sind und nicht klemmen, daß keine Teile gebrochen sind, daß keine Schutzvorrichtungen und Schalter beschädigt sind, und prüfen Sie, ob irgendwelche anderen Schäden den einwandfreien Betrieb des Gerätes beeinträchtigen könnten. Vergewissern Sie sich, daß das Gerät ordnungsgemäß funktioniert. Verwenden Sie das Gerät auf keinen Fall, wenn eine Schutzvorrichtung oder Abdeckung beschädigt ist bzw. fehlt. Benutzen Sie das Gerät nicht, wenn irgendein Teil defekt ist. Verwenden Sie das Gerät nicht, wenn der Ein-/Ausschalter nicht funktioniert. Lassen Sie defekte Teile immer von einer unserer Kundendienstwerkstätten reparieren oder austauschen.
- ◆ Überprüfen Sie das Kabel öfters auf Beschädigung. Falls das Netzkabel beschädigt ist, ist es von einer autorisierten Reparaturwerkstatt auszutauschen, um Gefahren vorzubeugen. Überprüfen Sie regelmäßig die Verlängerungskabel. Erneuern Sie ein beschädigtes Verlängerungskabel unverzüglich.
- ◆ Halten Sie alle Muttern, Bolzen und Schrauben am Gerät fest angezogen, um einen sicheren Betriebszustand zu gewährleisten.
- ◆ Überprüfen Sie den Grasfangsack auf Verschleiß und Beschädigung und erneuern Sie ihn gegebenenfalls. Verwenden Sie das Gerät nie ohne den Grasfangsack.
- ◆ Das unbenutzte Gerät ist an einem trockenen Ort aufzubewahren. Kinder sollten keinen Zugang zu aufbewahrten Geräten haben.
- ◆ Stellen Sie sicher, daß nur Ersatzmesser des richtigen Typs verwendet werden.
- ◆ Verwenden Sie ausschließlich von Black & Decker empfohlene Ersatzteile und Zubehör.

Warnsymbole

Das Gerät ist mit folgenden Symbolen versehen:



Lesen Sie vor der Inbetriebnahme die Anleitung.



Setzen Sie das Gerät keinem Regen oder hoher Feuchtigkeit aus.



Ziehen Sie den Stecker aus der Steckdose, wenn das Netzkabel beschädigt ist.



Halten Sie andere Personen vom Gerät fern.



Ziehen Sie immer den Stecker, ehe Sie Einstellungs- oder Wartungsarbeiten durchführen.



Vorsicht vor scharfen Kanten!



Halten Sie das Kabel vom Messer fern.

Elektrische Sicherheit

Das Gerät muß stets mit dem Schalter ausgeschaltet werden, bevor Stecker oder Verlängerungskabel getrennt werden.

Schutzisolation



Dieses Gerät ist gemäß EN 60335 schutzisoliert; eine Erdleitung ist somit nicht erforderlich.

Überprüfen Sie immer, ob die Netzspannung der auf dem Typenschild des Geräts angegebenen Spannung entspricht.

Die elektrische Sicherheit läßt sich durch Verwendung eines Fehlerstrom-Schutzschalters (30 mA) weiter erhöhen.

Verwendung eines Verlängerungskabels

Verwenden Sie nur zugelassene Verlängerungskabel, die sich für die Leistungsaufnahme dieses Geräts eignen (siehe technische Daten). Das Verlängerungskabel muß für den Einsatz im Freien geeignet und entsprechend gekennzeichnet sein. Ein bis zu 30 m langes 1.5 mm H05VV-F-Verlängerungskabel kann verwendet werden, ohne daß Leistungsverluste entstehen. Überprüfen Sie das Verlängerungskabel vor dem Gebrauch auf Beschädigung, Verschleiß und Alterserscheinungen. Tauschen Sie ein beschädigtes oder defektes Verlängerungskabel aus. Rollen Sie das Kabel bei Verwendung einer Kabeltrommel immer völlig aus.

Merkmale

1. Ein-/Aus-Schalter
2. Einschaltsperr
3. Schalterkasten
4. Handgriff-Oberteil
5. Handgriff-Unterteil
6. Grasfangsack
7. Motorabdeckung
8. Räder

Montage

Achtung! Vergewissern Sie sich vor der Montage, daß das Gerät ausgeschaltet ist und daß der Netzstecker gezogen wurde.

Montage des Handgriffs (Abb. A)

- ◆ Bringen Sie gemäß Abbildung das Handgriff-Unterteil (5) unter Verwendung der Knöpfe (9), Unterlegscheiben (10) und Schrauben (11) am Handgriff-Oberteil (4) an.

Anbringen des Handgriffs (Abb. B)

- ◆ Setzen Sie die Enden des Handgriff-Unterteils (5) in ihre entsprechenden Löcher (12) im Rasenmäher ein.
- ◆ Drücken Sie den Handgriff so weit wie möglich nach unten.
- ◆ Sichern Sie den Handgriff mit Hilfe der Schrauben (13).

Befestigen des Kabels (Abb. C)

Das Netzkabel muß unter Verwendung der Zugentlastungen befestigt werden.

- ◆ Klemmen Sie die eine Zugentlastung (14) auf das Kabel, das vom Schalterkasten zum Motor führt. Sichern Sie die Zugentlastung am Handgriff-Unterteil (5).
- ◆ Klemmen Sie die andere Zugentlastung (14) auf das Kabel, das vom Schalterkasten zum Netzstecker führt. Sichern Sie die Zugentlastung am Handgriff-Oberteil (4).

Achtung! Vergewissern Sie sich, daß das Kabel mit den Zugentlastungen gesichert ist, bevor Sie den Stecker in die Steckdose stecken.

Anbringen des Grasfangsacks (Abb. D)

- ◆ Heben Sie die Klappe (15) an und setzen Sie den Grasfangsack über die Zapfen (16).

Gebrauch

Achtung! Beschleunigen Sie den Arbeitsvorgang nicht mit Gewalt. Vermeiden Sie eine Überlastung des Gerätes.

Einstellen der Schnitthöhe (Abb. E)

Die Schnitthöhe läßt sich durch Ändern der Radhöhe einstellen.

Achtung! Trennen Sie das Gerät vom Netz und warten Sie, bis das Messer zum Stillstand gekommen ist, bevor Sie fortfahren.

- ◆ Geben Sie die Räder (8) frei, indem Sie sie aus ihrer verriegelten Stellung herauschwenken.
- ◆ Stellen Sie die Räder auf die gewünschte Schnitthöhe ein.
- ◆ Schwenken Sie die Räder zurück in ihre verriegelte Stellung und stellen Sie dabei sicher, daß alle Räder auf die gleiche Höhe eingestellt wurden.

Ein- und Ausschalten

Einschalten

- ◆ Halten Sie den Handgriff mit beiden Händen fest und neigen Sie ihn etwas nach unten, um die Vorderseite des Gerätes anzuheben.

- ◆ Halten Sie die Einschaltsperrleiste (2) gedrückt und ziehen Sie den Ein-/Ausschalter (1) in Ihre Richtung.
- ◆ Lassen Sie die Einschaltsperrleiste los. Senken Sie das Gerät wieder auf seine Ausgangsposition ab.

Ausschalten

- ◆ Um das Gerät auszuschalten, lassen Sie den Ein-/Ausschalter los.

Achtung! Versuchen Sie nie, einen Schalter in eingeschaltetem Zustand zu blockieren.

Mähen (Abb. F & G)

Wir empfehlen, den Rasenmäher gemäß der nachfolgenden Beschreibung zu verwenden, um ein optimales Arbeitsergebnis zu erzielen und die Gefahr eines Durchtrennens des Netzkabels zu vermeiden.

- ◆ Legen Sie das Netzkabel in der Nähe Ihrer Startposition auf den Rasen (Position 1 in Abb. F).
- ◆ Schalten Sie das Gerät wie oben beschrieben ein.
- ◆ Gehen Sie gemäß Abb. F vor.
 - ◆ Bewegen Sie sich von Position 1 zu Position 2.
 - ◆ Führen Sie eine Rechtsdrehung aus und fahren Sie in Richtung Position 3 fort.
 - ◆ Führen Sie eine Linksdrehung aus und bewegen Sie sich auf Position 4 zu.
- ◆ Wiederholen Sie die oben beschriebene Vorgehensweise wie erforderlich.

Achtung! Arbeiten Sie nicht wie in Abb. G dargestellt in Richtung Kabel.

Leeren des Grasfangsacks

- ◆ Sobald Sie feststellen, daß sich unter dem Rasenmäher geschnittener Rasen verteilt, entleeren Sie den Grasfangsack.

Achtung! Verwenden Sie das Gerät nie ohne den Grasfangsack.

Hinweise für optimale Arbeitsergebnisse

- ◆ Ist das Gras länger als ca. 10 cm, mähen Sie zweimal, um ein besseres Schnittergebnis zu erzielen. Mähen Sie zunächst mit maximaler Schnitthöhe, anschließend mit einer niedrigeren oder mittleren Schnitthöhe.
- ◆ Um optimale Ergebnisse zu erzielen, mähen Sie den Rasen nur in trockenem Zustand.

Wartung

Ihr Black & Decker Gerät wurde im Hinblick auf eine lange Lebensdauer und einen möglichst geringen Wartungsaufwand entwickelt. Ein dauerhafter, einwandfreier Betrieb setzt eine regelmäßige Reinigung voraus.

- ◆ Halten Sie das Gerät sauber und trocken.
- ◆ Reinigen Sie die Lüftungsschlitze regelmäßig mit einem sauberen, trockenen Farbpinsel.
- ◆ Verwenden Sie regelmäßig einen stumpfen Schaber, um Gras und Schmutz vom Gerät zu entfernen.
- ◆ Verwenden Sie zur Reinigung des Geräts nur milde Seifenlösung und einen feuchten Lappen. Lassen Sie niemals Flüssigkeiten in das Gerät gelangen und tauchen Sie niemals Teile des Geräts in Flüssigkeit ein. Verwenden Sie keine scheuernden Reinigungsmittel oder Reinigungsmittel auf Lösungsmittelbasis.

Messerwartung

- ◆ Entfernen Sie regelmäßig Gras und Schmutz vom Messer.
- ◆ Überprüfen Sie zu Beginn der Gartensaison sorgfältig den Zustand des Messers.
- ◆ Ist das Messer sehr stumpf, schärfen bzw. erneuern Sie es.
- ◆ Ist das Messer beschädigt oder verschlissen, bringen Sie wie unten beschrieben ein neues Messer an.

Erneuerung des Messers (Abb. H)

Ein Ersatzmesser erhalten Sie bei Ihrem Black & Decker Händler.
- GR389: Kat. Nr. A6389

Achtung! Beachten sie folgende Sicherheitsvorkehrungen:

- ◆ Trennen Sie das Gerät vom Netz und warten Sie, bis das Messer zum Stillstand gekommen ist, bevor Sie fortfahren.
- ◆ Seien Sie vorsichtig, damit Sie sich nicht schneiden. Verwenden Sie Arbeitshandschuhe oder einen Lappen, um das Messer zu greifen.
- ◆ Verwenden Sie ausschließlich das angegebene Ersatzmesser.
- ◆ Entfernen Sie nicht das Flügelrad (17).

Zum Erneuern des Messers:

- ◆ Legen Sie das Gerät auf die Seite.
- ◆ Ergreifen Sie mit der einen Hand das Messer (18).
- ◆ Verwenden Sie den mitgelieferten Schraubenschlüssel, um die Messermutter (19) zu lösen und zu entfernen.
- ◆ Wechseln Sie das Messer aus.
- ◆ Bringen Sie die Unterlegscheibe (falls vorher angebracht) und die Mutter wieder an.
- ◆ Ziehen Sie die Messermutter sicher an.

Störungsbehebung

Falls Ihr Gerät nicht ordnungsgemäß funktioniert, befolgen Sie folgende Hinweise. Falls die Störung damit nicht behoben wird, wenden Sie sich bitte an den Black & Decker Kundendienst.

Achtung! Ziehen Sie vor dem Fortfahren den Stecker aus der Steckdose.

Der Motor brummt, das Messer bewegt sich jedoch nicht.

- ◆ Entfernen Sie vorsichtig eventuelle Hindernisse vom Messer.

Es ist nichts zu hören und das Messer bewegt sich nicht.

- ◆ Überprüfen Sie, ob die Netzkabel ordnungsgemäß angeschlossen sind.
- ◆ Prüfen Sie die Netzsicherungen.

Umweltschutz



Getrennte Entsorgung. Dieses Produkt darf nicht über den normalen Hausmüll entsorgt werden.

Sollte Ihr Black & Decker Produkt eines Tages erneuert werden müssen, oder falls Sie es nicht weiter verwenden wollen, so darf es nicht über den Hausmüll entsorgt werden. Stellen Sie dieses Produkt zur getrennten Entsorgung bereit.



Durch die getrennte Entsorgung gebrauchter Produkte und Verpackungen können die Materialien recycelt und wiederverwertet werden. Die Wiederverwertung recycelter Materialien schont die Umwelt und verringert die Nachfrage nach Rohstoffen.

Die regionalen Bestimmungen schreiben unter Umständen die getrennte Entsorgung elektrischer Produkte aus dem Haushalt an Sammelstellen oder seitens des Händlers vor, bei dem Sie das neue Produkt erworben haben.

Black & Decker nimmt Ihre ausgedienten Black & Decker Geräte gern zurück und sorgt für eine umweltfreundliche Entsorgung und Wiederverwertung. Um diesen Dienst zu nutzen, schicken Sie bitte Ihr Produkt zu einer Vertragswerkstatt. Hier wird es dann auf unsere Kosten gesammelt.

Die Adresse der zuständigen Black & Decker Vertretung steht in diesem Handbuch, darüber läßt sich die nächstgelegene Vertragswerkstatt ermitteln. Außerdem ist eine Liste der Vertragswerkstätten und aller Kundendienststellen von Black & Decker sowie der zuständigen Ansprechpartner im Internet zu finden unter: www.2helpU.com

Technische Daten

	GR 369 LM382	GR383	GR384 GR389
Spannung	V 230	230	230
Leistungsaufnahme	W 1.200	1.300	1.400
Leerlaufdrehzahl	min ⁻¹ 2.700	2.700	2.700
Messerlänge	mm 380	380	380
Gewicht	kg 14,5	14,5	14,5

EG-Konformitätserklärung

GR369, GR383, GR384, GR389, LM3829

Black & Decker erklärt, daß diese Produkte folgende

Konformität erfüllen:

98/37/EWG, 89/336/EWG, 73/23/EWG, EN 55014, EN 60335,

EN 61000, 2000/14/EWG,

Rasenmäher, L ≤ 50 cm, Anhang VI, Nr. 499

SNCH, L-5230 Sandweiler, Luxemburg

L_{pA} (Schalldruck) 75 dB(A), L_{WA} (Schalleistung) 88 dB(A),
 L_{WA} (garantiert) 96 dB(A), gewichtete Hand-/Arm-Vibrationen
 1,5 m/s²



Kevin Hewitt

Director of Consumer Engineering
 Spennymoor, County Durham DL16 6JG,
 Vereinigtes Königreich
 1-8-2004

Zur Inanspruchnahme dieser Garantie ist dem Verkäufer bzw. der Vertragswerkstatt ein Kaufnachweis vorzulegen. Der Kaufnachweis muß Kaufdatum und Gerätetyp bescheinigen. Die Adresse des zuständigen Büros von Black & Decker steht in dieser Anleitung, darüber läßt sich die nächstgelegene Vertragswerkstatt ermitteln. Außerdem ist eine Liste der Vertragswerkstätten und aller Kundendienststellen von Black & Decker sowie der zuständigen Ansprechpartner im Internet zu finden unter: **www.2helpU.com**

Bitte besuchen Sie unsere Webseite **www.blackanddecker.de**, um Ihr neues Black & Decker Produkt zu registrieren und über neue Produkte und Sonderangebote aktuell informiert zu werden. Weitere Informationen über die Marke Black & Decker und unsere Produkte finden Sie unter **www.blackanddecker.de**

Garantie

Black & Decker vertraut auf die Qualität der eigenen Geräte und bietet dem Käufer eine außergewöhnliche Garantie. Diese Garantiezusage versteht sich unbeschadet der gesetzlichen Gewährleistungsansprüche und schränkt diese keinesfalls ein. Sie gilt in sämtlichen Mitgliedsstaaten der Europäischen Union und der Europäischen Freihandelszone EFTA.

Tritt innerhalb von 24 Monaten ab Kaufdatum an einem Gerät von Black & Decker ein auf Material- oder Verarbeitungsfehler zurückzuführender Mangel auf, garantiert Black & Decker den Austausch defekter Teile, die Reparatur von Geräten mit üblichem Verschleiß bzw. den Austausch eines mangelhaften Geräts, ohne den Kunden dabei mehr als unbedingt nötig in Anspruch zu nehmen, allerdings vorbehaltlich folgender Ausnahmen:

- ◆ wenn das Gerät gewerblich, beruflich oder im Verleihgeschäft benutzt wurde;
- ◆ wenn das Gerät mißbräuchlich verwendet oder mit mangelnder Sorgfalt behandelt wurde;
- ◆ wenn das Gerät durch irgendwelche Fremdeinwirkung beschädigt wurde;
- ◆ wenn ein unbefugter Reparaturversuch durch anderes Personal als das einer Vertragswerkstatt oder des Black & Decker-Kundendienstes unternommen wurde.

Utilisation prévue

Votre tondeuse Black & Decker a été conçue pour tondre le gazon.

Cet outil a été conçu pour une utilisation exclusivement domestique.

Instructions de sécurité

- ◆ **Attention !** Lors de l'utilisation d'appareils électriques, observez les consignes de sécurité élémentaires, notamment les instructions suivantes, afin de réduire les risques d'incendie, d'électrocution et de blessures.
- ◆ Lisez et observez attentivement les instructions avant d'utiliser l'appareil.
- ◆ Avant d'utiliser l'appareil, assurez-vous de savoir comment mettre l'arrêt en cas d'urgence.
- ◆ Conservez ce manuel à titre de référence.

Formation

- ◆ Prenez soin de lire attentivement les instructions. Familiarisez-vous avec les commandes et l'utilisation de cet appareil.
- ◆ Ne laissez jamais aucun enfant ou aucune personne non familiarisée avec ces instructions utiliser cet appareil. Les réglementations locales peuvent limiter l'âge de l'utilisateur.
- ◆ N'utilisez pas l'appareil à proximité d'autres personnes, spécialement d'enfants ou d'animaux domestiques.
- ◆ Souvenez-vous que l'utilisateur peut être tenu responsable de tout accident ou dommage subi par des tiers ou par des biens appartenant à des tiers.

Préparation

- ◆ Portez des chaussures ou des bottes renforcées pour protéger vos pieds. N'utilisez pas l'appareil pied nu ou en ne portant que des sandales. Portez un pantalon pour protéger vos jambes.
- ◆ Porter des lunettes de sécurité lorsque vous utilisez cet outil. Portez des lunettes ou un masque de protection si vous utilisez cet appareil dans un environnement poussiéreux. Portez des protections anti-bruit lorsque le niveau sonore semble gênant.
- ◆ Protégez-vous contre les électrocutions. Évitez de toucher des surfaces reliées à la terre (p.e. grillages métalliques, lampadaires, etc.)
- ◆ Avant d'utiliser l'appareil, vérifiez que la lame et l'écrou de fixation de la lame ne sont pas usés ou endommagés. Vérifiez que l'écrou de fixation de la lame est bien serré.
- ◆ Avant toute utilisation, vérifiez qu'aucun bâton, fil de fer, pierre ou aucun autre obstacle n'obstrue la zone de tonte.

Fonctionnement

- ◆ N'utilisez jamais cet appareil si les protections sont défectueuses, ou si les systèmes de sécurité ne sont pas installés, par exemple les déflecteurs ou les systèmes de ramassage de l'herbe.
- ◆ Utilisez l'appareil uniquement à la lumière du jour ou sous un éclairage artificiel efficace.
- ◆ N'exposez pas l'appareil à la pluie. N'exposez pas l'appareil à l'humidité. Il est déconseillé d'utiliser cet appareil sur l'herbe mouillée.
- ◆ Veillez à toujours rester en équilibre sur vos jambes, particulièrement dans les pentes. Faites attention car l'herbe fraîchement coupée est humide et glissante. Ne travaillez pas sur un sol très pentu.
- ◆ Travaillez de façon perpendiculaire aux pentes et non en montant ou en descendant. Faites très attention lorsque vous changez de direction dans une pente.
- ◆ Marchez mais ne courez jamais lorsque vous utilisez cet appareil. Ne tirez pas l'appareil vers vous et ne reculez pas lorsque vous l'utilisez.
- ◆ Allumez l'appareil selon les instructions et en veillant à tenir vos pieds hors de portée de la lame.
- ◆ Ne penchez pas l'appareil lorsque vous l'allumez, sauf s'il doit être penché pour démarrer. Dans ce cas ne le faites pas pencher plus que le strict nécessaire et soulevez uniquement la partie la plus éloignée de l'opérateur. Assurez-vous toujours que vos deux mains sont en position de travail avant de retourner l'appareil au sol.
- ◆ Éteignez l'appareil et attendez que la lame s'arrête de fonctionner si vous le devez transporter pour traverser des surfaces autre que le gazon ou pour l'amener à l'endroit où vous allez l'utiliser.
- ◆ Ne soulevez pas et ne transportez pas l'appareil avant que la lame ne se soit complètement arrêtée.
- ◆ Tenez vos mains et vos pieds éloignées de la lame. Ne mettez ni les mains ni les pieds à proximité ou au-dessous des pièces rotatives.
- ◆ Tenez-vous toujours éloigné des orifices d'évacuation.
- ◆ Éteignez l'appareil, débranchez-le et assurez-vous que ses pièces rotatives ont cessé de tourner avant de le laisser sans surveillance, de changer, nettoyer ou inspecter ses pièces partie de l'outil voire de déboucher un conduit quelconque. Si l'appareil commence à vibrer de manière anormale ou si vous avez heurté un corps étranger, éteignez-le et débranchez-le. Vérifiez si l'appareil a subi des dommages.
- ◆ Veillez à ne pas laisser le câble à proximité de la lame. Surveillez toujours la position du câble.
- ◆ La lame continuera de fonctionner pendant quelques secondes après l'arrêt de l'appareil. Ne tentez jamais de forcer sur les lames pour qu'elles s'arrêtent.

Entretien et stockage

- ◆ Avant d'utiliser l'appareil, vérifiez qu'il n'est pas endommagé et qu'il n'y a pas de pièces défectueuses. Vérifiez l'alignement des pièces en mouvement, leur prise et toute rupture de pièces, tout dommage des protections et des interrupteurs et toute autre condition pouvant affecter le fonctionnement de l'outil. Veillez à ce que l'appareil fonctionne correctement et qu'il exécute les tâches pour lesquelles il est prévu. N'utilisez jamais l'appareil si un carter ou un couvercle est endommagé ou n'est pas en place. N'utilisez pas l'appareil si une pièce est endommagée ou défectueuse. N'utilisez pas l'appareil si l'interrupteur marche/arrêt ne fonctionne pas. Faites réparer ou remplacer toute pièce endommagée par un réparateur agréé.
- ◆ Assurez-vous fréquemment que le câble est bien en bon état. Si le câble d'alimentation est endommagé, il doit être remplacé par un réparateur agréé pour éviter tout accident. Contrôlez régulièrement l'état des rallonges. Remplacez immédiatement tout câble endommagé.
- ◆ Veillez à bien serrer tous les écrous, boulons et autres vis sur l'appareil pour travailler en toute sécurité.
- ◆ Vérifiez que le sac de ramassage de l'herbe n'est ni usé ni endommagé et remplacez-le au besoin. N'utilisez jamais l'appareil sans le sac de ramassage.
- ◆ Rangez l'appareil dans un endroit sec. Ne laissez pas les enfants s'approcher des appareils, même quand ils sont rangés.
- ◆ Utilisez toujours des pièces de coupe de rechange du type correct.
- ◆ Utilisez exclusivement des pièces de rechange et des accessoires de Black & Decker.

Symboles de prévention

Les symboles de prévention suivants sont indiqués sur l'appareil :



Lisez le manuel avant l'emploi.



N'exposez pas l'appareil à la pluie ou à l'humidité.



Débranchez la prise du réseau si le câble d'alimentation est endommagé.



Éloignez les personnes se trouvant à proximité.



Débranchez l'appareil avant d'effectuer tout réglage, entretien ou réparation.



Faites attention aux arêtes tranchantes.



Veillez à toujours tenir le câble éloigné des lames de coupe.

Sécurité électrique

L'appareil doit toujours être éteint avant de débrancher la prise et le connecteur ou la rallonge.

Double isolation



Cet appareil est conforme à la norme EN 60335; un branchement à la terre n'est donc pas nécessaire. Vérifiez si le voltage mentionné sur la plaque signalétique correspond bien à la tension de réseau sur site.

Utilisez un interrupteur de protection contre les courants de courts-circuits à haute sensibilité 30 mA / (RCD) pour améliorer la sécurité électrique.

Câbles de rallonge

Utilisez toujours une rallonge adaptée à la puissance d'alimentation de cet outil (voir caractéristiques techniques). Le câble de rallonge doit être adapté pour le travail en extérieur. Des rallonges H05VV-F 1,5 mm de 30 m de long peuvent être utilisées sans perte de puissance. Avant d'utiliser l'outil, vérifiez que le câble n'est ni endommagé ni usé. Changez le câble de rallonge s'il est endommagé. En cas d'utilisation d'un dévidoir, déroulez toujours le câble complètement.

Caractéristiques

1. Interrupteur marche/arrêt
2. Bouton de déblocage
3. Base de l'interrupteur
4. Poignée supérieure
5. Poignée inférieure
6. Sac de ramassage de l'herbe
7. Couvercle du moteur
8. Roulettes

Montage

Attention ! Avant l'assemblage, assurez-vous que l'appareil est éteint et débranché.

Assemblage de la poignée (fig. A)

- ◆ Placez la partie de la poignée inférieure (5) sur la poignée supérieure (4) à l'aide des boutons (9), rondelles (10) et vis (11) comme indiqué.

Mise en place de la poignée (fig. B)

- ◆ Insérez les extrémités de la poignée inférieure (5) dans les orifices correspondants (12) de la tondeuse.

- ◆ Enfoncez la poignée aussi loin que possible.
- ◆ Fixez la poignée à l'aide des vis (13)

Montage du câble (fig. C)

Le câble d'alimentation électrique doit être fixé à l'aide du serre-câble.

- ◆ Attachez une goupille de retenue (14) sur le câble entre le coffret de distribution et le moteur. Fixez la goupille à la poignée inférieure (5).
- ◆ Attachez l'autre goupille de retenue (14) sur le câble entre le coffret de distribution et la prise électrique. Fixez la goupille à la poignée supérieure (4).

Attention ! Assurez-vous que le câble est bien enroulé autour du serre-câble avant de brancher la prise sur le secteur.

Mise en place du sac de ramassage (fig. B)

- ◆ Soulevez le rabat (15) et placez le sac de ramassage sur les filets (16).

Utilisation

Attention ! Laissez l'appareil fonctionner à sa propre vitesse. Ne le surchargez pas.

Réglage de la hauteur de coupe (fig. E)

Pour régler la hauteur de coupe, modifiez la hauteur des roues.

Attention ! Débranchez l'appareil et attendez que la lame ait complètement arrêté de tourner avant de régler la coupe.

- ◆ Dévissez les roues (8) en les faisant tourner.
- ◆ Placez les roues à la hauteur de coupe souhaitée.
- ◆ Remontez les roues en position verrouillée, en vous assurant qu'elles sont bien toutes à la même hauteur.

Démarrage et arrêt

Démarrage

- ◆ Tenez la poignée des deux mains et inclinez-la doucement vers l'avant pour soulever l'avant de l'appareil.
- ◆ Enfoncez le bouton de blocage (2) et enfoncez l'interrupteur de mise en marche (1) vers vous.
- ◆ Relâchez le bouton de blocage.
- ◆ Laissez l'appareil revenir à sa position de travail.

Arrêt

- ◆ Pour éteindre l'appareil, relâchez l'interrupteur marche/arrêt.

Attention ! N'essayez jamais de bloquer l'interrupteur en position de marche.

Tonte (fig. F & G)

Il est conseillé d'utiliser votre tondeuse comme indiqué dans cette section pour obtenir des résultats optimum et pour réduire le risque de couper le cordon électrique.

- ◆ Posez les cordons électriques sur le gazon, à côté de votre point de départ (position 1 dans fig. F)
- ◆ Allumez l'appareil comme indiqué ci-dessus.
- ◆ Procédez comme indiqué en fig. F.
 - ◆ Passez de la position 1 à la position 2.
 - ◆ Tournez à droite et allez vers la position 3.
 - ◆ Tournez à gauche et allez vers la position 4.
- ◆ Répétez au besoin l'opération décrite ci-dessus.

Attention ! Ne travaillez pas en direction du cordon électrique comme indiqué dans la fig. G.

Comment vider le sac de ramassage de l'herbe.

- ◆ Si vous voyez de l'herbe coupée s'échapper du dessous de la tondeuse, videz le sac de ramassage.

Attention ! N'utilisez jamais l'appareil sans le sac de ramassage.

Conseils pour une utilisation optimale

- ◆ Si l'herbe mesure plus de 10 cm. environ, tondez-la à deux reprises pour obtenir une meilleure finition. Tondez d'abord à la hauteur maximale de coupe, puis utilisez une hauteur de coupe minimale ou moyenne.
- ◆ Pour des résultats de coupe optimaux, ne coupez que de l'herbe sèche.

Entretien

Votre appareil Black & Decker a été conçu pour fonctionner pendant longtemps avec un minimum d'entretien.

Un fonctionnement satisfaisant et durable dépend d'un nettoyage régulier et d'un entretien approprié de l'appareil.

- ◆ Maintenez l'appareil dans un bon état de propreté et sec.
- ◆ Nettoyez régulièrement les fentes de ventilation à l'aide d'un pinceau propre et sec.
- ◆ Utilisez régulièrement un grattoir pour enlever toutes les saletés et l'herbe accumulées sous l'appareil.
- ◆ Pour nettoyer l'appareil, n'utilisez qu'un détergent doux et un chiffon humide. Aucun liquide ne doit pénétrer dans l'outil. N'immergez jamais aucune pièce de l'outil dans un liquide. N'utilisez pas de produit abrasif ou à base de solvant.

Entretien de la lame.

- ◆ Enlevez fréquemment toutes les saletés ou l'herbe déposées sur la lame.
- ◆ Au début de la saison de jardinage, vérifiez soigneusement l'état de la lame.

- ◆ Si la lame est très émoussée, aiguisiez-la ou remplacez-la.
- ◆ Si la lame est endommagée ou usée, installez une nouvelle lame comme indiqué ci-dessous.

Remplacement de la lame (fig. H)

Vous pouvez vous procurer une lame de remplacement auprès des détaillants Black & Decker.

- GR389 : Référence A6389

Attention ! Veuillez observer les précautions suivantes :

- ◆ Débranchez l'appareil et attendez l'arrêt complet de la lame avant de régler la coupe.
- ◆ Prenez garde de ne pas vous couper. Utilisez des gants de sécurité ou un chiffon pour vous saisir de la lame.
- ◆ N'utilisez que le type de lame de rechange indiqué.
- ◆ N'enlevez jamais la roue (17).

Pour remplacer la lame :

- ◆ Posez l'appareil sur le côté.
- ◆ Saisissez la lame (18) d'une main.
- ◆ Utilisez la clé fournie pour dévisser et enlevez l'écrou de la lame (19).
- ◆ Remplacez la lame.
- ◆ Remplacez la rondelle (si vous l'avez installée) auparavant et l'écrou.
- ◆ Fixez correctement l'écrou de la lame.

Dépannage

Si votre appareil ne semble pas fonctionner correctement, suivez les instructions ci-dessous. Si elles ne vous permettent pas de résoudre le problème, contactez votre service de réparation local Black & Decker.

Attention ! Avant de procéder à toutes réparations, débranchez la prise du secteur.

Le moteur ronronne mais la lame ne bouge pas

- ◆ Retirez avec soin tous les corps étrangers qui peuvent gêner la lame.

Aucun bruit, la lame ne bouge pas

- ◆ Assurez-vous que tous les câbles électriques sont bien branchés.
- ◆ Vérifiez les fusibles du secteur.

Protection de l'environnement



Collecte séparée. Ce produit ne doit pas être jeté avec les déchets domestiques normaux.

Si vous décidez de remplacer ce produit Black & Decker, ou si vous n'en avez plus l'utilité, ne le jetez pas avec vos déchets domestiques. Rendez-le disponible pour une collecte séparée.



La collecte séparée des produits et emballages usés permet le recyclage des articles afin de les utiliser à nouveau. Le fait d'utiliser à nouveau des produits recyclés permet d'éviter la pollution environnementale et de réduire la demande de matières premières.

Les réglementations locales peuvent permettre la collecte séparée des produits électriques du foyer, dans des déchetteries municipales ou auprès du revendeur vous ayant vendu votre nouveau produit.

Black & Decker fournit un dispositif permettant de collecter et de recycler les produits Black & Decker lorsqu'ils ont atteint la fin de leur cycle de vie. Pour pouvoir profiter de ce service, veuillez retourner votre produit à un réparateur agréé qui se chargera de le collecter pour nous.

Pour connaître l'adresse du réparateur agréé le plus proche de chez vous, contactez le bureau Black & Decker à l'adresse indiquée dans ce manuel. Vous pourrez aussi trouver une liste des réparateurs agréés de Black & Decker et de plus amples détails sur notre service après-vente sur le site Internet à l'adresse suivante : www.2helpU.com

Caractéristiques techniques

	GR 369 LM382	GR383	GR384 GR389
Tension	V 230	230	230
Puissance absorbée	W 1.200	1.300	1.400
Vitesse à vide	min ⁻¹ 2.700	2.700	2.700
Longueur des lames	mm 380	380	380
Poids	kg 14,5	14,5	14,5

Déclaration de conformité CE

GR369, GR383, GR384, GR389, LM382

Black & Decker déclare que ces produits sont conformes à :
98/37/CEE, 89/336/CEE, 73/23/CEE, EN 55014, EN 60335,
EN 61000, 2000/14/EC,

Tondeuse à gazon, L ≤ 50 cm, Annexe VI, N° 499
SNCH, L-5230 Sandweiler, Luxembourg

L_{PA} (pression sonore) 75 dB(A), L_{WA} (puissance acoustique)
88 dB(A), L_{WA} (garantie) 96 dB(A), poids de la vibration sur
la main/bras 1,5 m/s²



Kevin Hewitt
Directeur Ingénierie Client
Spennymoor, County Durham DL16 6JG,
Royaume Uni
1-8-2004

Garantie

Black & Decker est confiant dans la qualité de ses produits et vous offre une garantie très étendue. Ce certificat de garantie est un document supplémentaire et ne peut en aucun cas se substituer à vos droits légaux. La garantie est valable sur tout le territoire des Etats Membres de l'Union Européenne et de la Zone de Libre Echange Européenne.

Si un produit Black & Decker s'avère défectueux en raison de matériaux en mauvaises conditions, d'une erreur humaine, ou d'un manque de conformité dans les 24 mois suivant la date d'achat, Black & Decker garantit le remplacement des pièces défectueuses, la réparation des produits usés ou cassés ou remplace ces produits à la convenance du client, sauf dans les circonstances suivantes :

- ◆ Le produit a été utilisé dans un but commercial, professionnel, ou a été loué.
- ◆ Le produit a été mal utilisé ou avec négligence.
- ◆ Le produit a subi des dommages à cause d'objets étrangers, de substances ou à cause d'accidents.
- ◆ Des réparations ont été tentées par des techniciens ne faisant pas partie du service technique de Black & Decker.

Pour avoir recours à la garantie, il est nécessaire de fournir une preuve d'achat au vendeur ou à un réparateur agréé. Pour connaître l'adresse du réparateur agréé le plus proche de chez vous, contactez le bureau Black & Decker à l'adresse indiquée dans ce manuel. Vous pourrez aussi trouver une liste des réparateurs agréés de Black & Decker et de plus amples détails sur notre service après-vente sur le site Internet à l'adresse suivante : **www.2helpU.com**

Visitez notre site Web **www.blackanddecker.fr** pour enregistrer votre nouveau produit Black & Decker et être informé des nouveaux produits et des offres spéciales. Pour plus d'informations concernant la marque Black & Decker et notre gamme de produits, consultez notre site **www.blackanddecker.fr**

Uso previsto

Il tosaerba Black & Decker è stato progettato per la falciatura. L'utensile è stato progettato per un uso individuale.

Precauzioni di sicurezza

- ◆ **Attenzione!** Quando si utilizzano degli apparecchi elettrici, per ridurre il rischio di incendio, scosse elettriche e infortuni alle persone è necessario seguire sempre delle precauzioni di sicurezza basilari, incluso le seguenti:
- ◆ Prima di adoperare l'apparecchio, leggere attentamente le istruzioni riportate nel presente manuale.
- ◆ Prima di adoperare l'apparecchio, apprendere le procedure di spegnimento in caso di emergenza.
- ◆ Conservare questo manuale di istruzioni per successive consultazioni.

Addestramento

- ◆ Leggere con attenzione le istruzioni. Familiarizzarsi con i comandi e l'uso corretto dell'apparecchio.
- ◆ Vietare l'uso dell'apparecchio ai bambini e agli adulti che non abbiano letto il presente manuale di istruzioni. Le normative locali possono prevedere dei limiti d'età per l'operatore.
- ◆ Non utilizzare mai l'apparecchio se nelle vicinanze ci sono persone - soprattutto bambini - o animali.
- ◆ Ricordare che l'operatore è responsabile di eventuali incidenti o rischi all'incolumità di altre persone e/o loro beni.

Preparazione

- ◆ Indossare scarpe robuste o scarponi per proteggere i piedi. Non adoperare l'apparecchio se si indossano sandali o a piedi scalzi. Indossare pantaloni a gamba lunga per proteggere le gambe.
- ◆ Indossare sempre occhiali di protezione quando si utilizza questo elettro-utensile. Fare uso di una mascherina antipolvere se il lavoro viene svolto in ambienti polverosi. Ogni volta che il livello sonoro non è sopportabile è necessario fare uso di apposite protezioni.
- ◆ Fare attenzione alle scosse elettriche. Evitare il contatto con le superfici collegate a massa (ad esempio guide metalliche, steli di lampade ecc.).
- ◆ Prima di utilizzare l'apparecchio, effettuare un'ispezione visiva per controllare che la lama e il complessivo dado della lama / coltello non siano usurati o danneggiati. Controllare che il dado della lama sia ben saldo.
- ◆ Prima di cominciare il lavoro, verificare che il percorso da falciare sia sgombro da rametti, pietre, fili e qualsiasi altro ostacolo.

Funzionamento

- ◆ Non utilizzare mai l'apparecchio se le protezioni o gli schermi sono difettosi e/o senza i dispositivi di sicurezza (ad es. deflettori e/o separatori di erba).
- ◆ Usare l'apparecchio solo alla luce naturale oppure con una buona illuminazione artificiale.
- ◆ Non esporre l'apparecchio alla pioggia. Non usare l'apparecchio in presenza di umidità. È preferibile non utilizzare l'apparecchio se l'erba è umida.
- ◆ Fare attenzione ai piedi, soprattutto sui pendii. Ricordare sempre che l'erba appena tagliata è umida e scivolosa. Non lavorare su pendenze ripide.
- ◆ Quando si lavora in pendio, non spostare mai l'utensile dall'alto in basso e fare molta attenzione quando si cambia direzione.
- ◆ L'apparecchio deve essere utilizzato camminando, mai correndo. Non tirare l'apparecchio verso di sé né utilizzarlo camminando all'indietro.
- ◆ Accendere l'apparecchio secondo le istruzioni e con i piedi lontani dalla lama.
- ◆ Non inclinare l'apparecchio quando lo si accende, a meno che le procedure di avvio non lo prevedano. In questo caso, non inclinarlo più del necessario e sollevare solo la parte opposta rispetto all'operatore. Ricordare sempre che entrambe le mani devono essere in posizione operativa prima di riportare a terra l'apparecchio.
- ◆ Se l'apparecchio deve essere inclinato per trasportarlo oltre delle aree non erbose e/o dalla/all'area da tosare, spegnerlo e attendere che il complessivo delle lame si fermi.
- ◆ Non sollevare/trasportare l'apparecchio se non quando la lama si è completamente fermata.
- ◆ Mani e piedi devono essere ben lontani dalla lama. Non mettere le mani o i piedi in prossimità o al di sotto delle parti rotanti.
- ◆ Tenersi sempre a debita distanza dalle aperture di scarico.
- ◆ Spegnerne l'apparecchio, estrarre la spina dalla presa e verificare che le parti mobili si siano bloccate prima di lasciarlo incustodito, prima di sostituirne, pulirne o ispezionarne qualsiasi componente e/o prima di eliminare un ostacolo.
Se l'apparecchio inizia a vibrare in modo anomalo, oppure se urta un oggetto estraneo, spegnerlo ed estrarre la spina dalla presa. Controllare che l'apparecchio non abbia subito danni.
- ◆ Attenzione a mantenere il cavo dell'alimentazione lontano dalla lama. Tenere sempre sotto controllo la posizione del cavo.
- ◆ Il motore continuerà a girare per alcuni secondi dopo che l'apparecchio è stata spento. Non cercare mai di fermare la lama.

Manutenzione e conservazione

- ◆ Prima dell'uso, verificare che non vi siano componenti danneggiati o difettosi. Controllare se ci sono parti non allineate, se i componenti mobili sono integri, se ci sono componenti rotti, danni alle protezioni o agli interruttori e qualsiasi altra condizione che possa alterare il funzionamento dell'attrezzo. Accertarsi che l'apparecchio funzioni come previsto e che venga impiegato per la destinazione originale. Non usare mai l'apparecchio se una protezione o una copertura sono danneggiate o mancano. Non usare l'apparecchio se ci sono elementi danneggiati o difettosi e se non è possibile accenderlo e spegnerlo mediante l'interruttore. Eventuali elementi difettosi o danneggiati devono essere sostituiti o riparati da un tecnico autorizzato.
- ◆ Controllare spesso il cavo per verificare che non sia danneggiato. Se il cavo è danneggiato, per evitare situazioni pericolose è necessario affidarne la sostituzione a un tecnico autorizzato. I cavi delle prolunghe devono essere ispezionati periodicamente e sostituiti tempestivamente in caso di danni.
- ◆ Tutti i dadi, bulloni e viti dell'apparecchio devono essere sempre saldi per garantire condizioni di lavoro sicure.
- ◆ Controllare il sacchetto raccogliërba per verificare che non sia danneggiato o usurato e sostituirlo in caso di necessità. Non usare mai l'apparecchio senza il sacchetto raccogliërba.
- ◆ Quando non è in funzione, l'apparecchio deve essere conservato in un luogo asciutto. I bambini non devono avere accesso agli apparecchi riposti.
- ◆ Verificare che gli accessori da taglio di ricambio siano sempre del tipo giusto.
- ◆ Usare esclusivamente pezzi di ricambio e accessori Black & Decker.

Simboli di avvertenza

Sull'apparecchio sono visibili i seguenti simboli di avvertenza:



Prima dell'uso leggere il presente manuale.



Non esporre l'apparecchio alla pioggia o a condizioni di alta umidità.



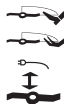
Se il cavo principale è danneggiato estrarre la spina dalla presa.



Tenere gli astanti lontani dall'area di lavoro



Prima di eseguire interventi di manutenzione, di assistenza o regolazioni, estrarre la spina dalla presa.



Attenzione ai bordi affilati.



Tenere il cavo lontano dalle lame da taglio.

Sicurezza elettrica

L'apparecchio deve essere sempre spento dall'interruttore principale prima di estrarre la spina e il connettore della presa o il cavo della prolunga.

Doppio isolamento



Questo apparecchio è dotato di doppio isolamento che rende superflua la messa a terra, in conformità alla direttiva EN 60335. Controllare sempre che l'alimentazione corrisponda alla tensione indicata sulla targhetta delle caratteristiche.

La sicurezza elettrica può essere ulteriormente ampliata utilizzando un dispositivo a corrente residua (RCD) e ad alta sensibilità da 30 mA.

Impiego di una prolunga

Adoperare sempre una prolunga di tipo omologato, adeguata alla potenza assorbita dell'utensile (v. scheda tecnica). La prolunga deve recare la targhetta che la identifica come adatta per uso esterno. È possibile adoperare un cavo di prolunga HO5VV-F da 1,5 mm lungo fino a 30 m, senza perdita di potenza. Prima dell'uso, controllare che la prolunga non presenti segni di danni, usura e invecchiamento. Una prolunga danneggiata o difettosa deve sempre essere sostituita. Se si utilizza un avvolgitore, estrarre il cavo per l'intera lunghezza.

Caratteristiche

1. Interruttore acceso/spento
2. Pulsante di sblocco
3. Scatola dell'interruttore
4. Impugnatura superiore
5. Impugnatura inferiore
6. Sacchetto portaërba
7. Carter motore
8. Ruote

Montaggio

Attenzione! Prima del montaggio, verificare che l'apparecchio sia spento e che la spina sia disinserita dalla presa.

Montaggio dell'impugnatura (fig. A)

- ◆ Fissare il componente dell'impugnatura inferiore (5) all'impugnatura superiore (4), usando le manopole (9), le rondelle (10) e le viti (11), come illustrato.

Installazione dell'impugnatura (fig. B)

- ◆ Inserire le estremità dell'impugnatura inferiore (5) nei corrispondenti fori (12) del tosaerba.
- ◆ Spingere in basso l'impugnatura per quanto possibile.
- ◆ Fissare l'impugnatura con le viti (13).

Installazione del cavo (fig. C)

Il cavo di alimentazione deve essere fissato usando i fermacavo.

- ◆ Fissare un fermacavo (14) sul cavo che va dalla cassetta dell'interruttore al motore. Fissare il fermacavo sull'impugnatura inferiore (5).
- ◆ Fissare l'altro fermacavo (14) sul cavo che va dalla cassetta dell'interruttore alla spina di alimentazione di rete. Fissare il fermacavo sull'impugnatura superiore (4).

Attenzione! Prima di inserire la spina nella presa di alimentazione, controllare che il cavo sia stato fissato con i fermacavo.

Inserimento del sacchetto raccogliherba (fig. D)

- ◆ Sollevare il piano incernierato (15) e collocare il sacchetto raccogliherba sopra le alette (16).

Uso

Attenzione! Lasciare che l'apparecchio lavori al suo ritmo, senza sovraccaricarlo.

Regolazione dell'altezza di taglio (fig. E)

L'altezza del taglio si regola modificando l'altezza delle ruote.

Attenzione! Prima di continuare, scollegare l'apparecchio dall'alimentazione e attendere che la lama si arresti.

- ◆ Per liberare le ruote (8), ruotarle fino a che si sbloccano.
- ◆ Posizionare le ruote all'altezza di taglio desiderata.
- ◆ Girare di nuovo le ruote fino alla posizione di bloccaggio, verificando che siano tutte alla stessa altezza.

Avviamento e spegnimento**Accensione**

- ◆ Afferrare l'impugnatura con entrambe le mani e inclinarla leggermente in basso, per sollevare il muso dell'apparecchio.
- ◆ Tenere premuto il pulsante di sblocco (2) e tirare verso di sé l'interruttore on/off (1).
- ◆ Rilasciare il pulsante di sblocco.
- ◆ Lasciare ritornare l'apparecchio in posizione da lavoro.

Spegnimento

- ◆ Per spegnere l'apparecchio, rilasciare l'interruttore on/off.

Attenzione! Non tentare mai di bloccare l'interruttore in posizione di accensione.

Falciatura (fig. F & G)

Si suggerisce di utilizzare il tosaerba come descritto in questa sezione per ottenere risultati ottimali e ridurre il rischio di tagliare il cavo di alimentazione.

- ◆ Collocare la massa del cavo di alimentazione sul prato, vicino al punto d'inizio (posizione 1 nella fig. F).
- ◆ Accendere l'apparecchio come descritto sopra.
- ◆ Procedere come illustrato nella fig. F.
 - ◆ Passare dalla posizione 1 alla posizione 2.
 - ◆ Girare a destra e procedere verso la posizione 3.
 - ◆ Girare a sinistra e procedere verso la posizione 4.
- ◆ Ripetere la procedura precedente come necessario.

Attenzione! Non camminare in direzione del cavo, come mostra la fig. G.

Svuotamento del sacchetto raccogliherba

- ◆ Quando l'erba falciata si sparpaglia sotto il tosaerba, svuotare il sacchetto.

Attenzione! Non usare mai l'apparecchio senza il sacchetto raccogliherba.

Consigli per un'ottima utilizzazione

- ◆ Se l'erba supera i 10 cm d'altezza circa, per ottenere un risultato migliore è opportuno falciarla due volte. Prima tagliarla all'altezza massima e poi utilizzare un'altezza di taglio media o bassa.
- ◆ Per ottenere risultati ottimali, tosare soltanto erba secca.

Manutenzione

Questo apparecchio Black & Decker è stato progettato per funzionare a lungo con un minimo di manutenzione. Per ottenere prestazioni sempre soddisfacenti occorre avere cura dell'apparecchio e sottoporlo a pulizia e manutenzione periodica.

- ◆ Mantenere l'apparecchio pulito e asciutto.
- ◆ Pulire regolarmente le fessure di ventilazione con un pennello pulito e asciutto.
- ◆ Usare regolarmente un raschietto senza punta per eliminare erba e sporcizia dal tosaerba.
- ◆ Per pulire l'apparecchio, usare solo sapone non aggressivo e un panno umido. Evitare sempre l'infiltrazione di liquidi all'interno dell'utensile che non deve essere mai immerso in alcun liquido. Non usare materiali abrasivi o detergenti a base di solventi.

Manutenzione della lama

- ◆ Eliminare regolarmente sporcizia ed erba dalla lama.
- ◆ All'inizio della stagione di giardinaggio, esaminare con attenzione la condizione della lama.
- ◆ Se la lama è molto smussata, affilarla oppure sostituirla.
- ◆ Se la lama è danneggiata o usurata, installarne una nuova, in base alla procedura descritta di seguito.

Sostituzione della lama (fig. H)

Le lame di ricambio sono disponibili presso il concessionario Black & Decker.

- GR389: n. cat. A6389

Attenzione! Adottare le seguenti precauzioni.

- ◆ Prima di continuare, scollegare l'apparecchio dall'alimentazione e attendere che la lama si arresti.
- ◆ Attenzione a non tagliarsi. Per afferrare la lama, indossare guanti pesanti oppure utilizzare un panno.
- ◆ Adoperare esclusivamente la lama di ricambio specificata.
- ◆ Non rimuovere per alcun motivo la girante (17).

Per sostituire la lama:

- ◆ Inclinare l'apparecchio su un lato.
- ◆ Afferrare la lama (18) con una mano.
- ◆ Allentare ed estrarre il dado della lama (19) utilizzando la chiave in corredo.
- ◆ Sostituire la lama.
- ◆ Reinstallare la rondella (se già presente) e il dado.
- ◆ Fissare saldamente il dado della lama.

Risoluzione dei problemi

Se l'apparecchio non sembra funzionare correttamente, attenersi alle istruzioni riportate di seguito. Se il problema persiste, contattare il servizio di assistenza tecnica della Black & Decker.

Attenzione! Prima di procedere, estrarre la spina dalla presa.

Il motore è in funzione, ma la lama resta immobile.

- ◆ Eliminare con cautela eventuali ostruzioni che bloccano la lama.

Nessun rumore e la lama resta immobile

- ◆ Controllare che i cavi di alimentazione siano collegati correttamente.
- ◆ Controllare i fusibili principali.

Protezione dell'ambiente



Raccolta differenziata. Questo prodotto non deve essere smaltito con i normali rifiuti domestici.

Nel caso in cui si decida di sostituire l'apparecchio oppure di disfarsene in quanto non più necessario, non dovrà essere smaltito con i normali rifiuti domestici. Smaltire il prodotto tramite raccolta differenziata.



La raccolta differenziata di prodotti e imballaggi usati, consente il riciclaggio e il riutilizzo dei materiali. Riutilizzare i materiali riciclati aiuta a prevenire l'inquinamento ambientale e riduce la richiesta di materie prime.

In base alle normative locali, i servizi per la raccolta differenziata di elettrodomestici possono essere disponibili presso i punti di raccolta municipali o presso il rivenditore, al momento dell'acquisto di un nuovo prodotto.

Black & Decker offre ai suoi clienti un servizio per la raccolta differenziata e la possibilità di riciclare i prodotti Black & Decker che hanno esaurito la loro durata in servizio. Per usufruire del servizio, è sufficiente restituire il prodotto a qualsiasi tecnico autorizzato, incaricato della raccolta per conto dell'azienda.

Per individuare il tecnico autorizzato più vicino, rivolgersi alla sede Black & Decker locale, presso il recapito indicato nel presente manuale. Altrimenti un elenco completo di tutti i tecnici autorizzati Black & Decker e i dettagli completi sui contatti e i servizi post-vendita sono disponibili sul sito Internet: www.2helpU.com

Dati tecnici

		GR 369 LM382	GR383	GR384 GR389
Tensione	V	230	230	230
Potenza assorbita	W	1.200	1.300	1.400
Velocità a vuoto	min ⁻¹	2.700	2.700	2.700
Lunghezza lama	mm	380	380	380
Peso	kg	14,5	14,5	14,5

Dichiarazione europea di conformità del macchinario

GR369, GR383, GR384, GR389, LM382

Black & Decker dichiara che i presenti prodotti sono conformi a:

98/37/CEE, 89/336/CEE, 73/23/CEE, EN 55014, EN 60335, EN 61000, 2000/14/EC,

Tosaerba L ≤ 50 cm, Allegato VI, N. 499

SNCH, L-5230 Sandweiler, Luxembourg

L_{pa} (pressione sonora) 75 dB(A), L_{wa} (potenza acustica) 88 dB(A), L_{wa} (garantita) 96 dB(A), vibrazione misurata su braccio/mano 1,5 m/s²



Kevin Hewitt
 Direttore tecnico prodotti di consumo
 Spennymoor, County Durham DL16 6JG,
 Regno Unito
 1-8-2004

Garanzia

Certa della qualità dei suoi prodotti, Black & Decker offre una garanzia eccezionale. Il presente certificato di garanzia è complementare ai diritti statutari e non li pregiudica in alcun modo. La garanzia è valida entro il territorio degli Stati membri dell'Unione Europea e dell'EFTA (European Free Trade Area).

Se un prodotto Black & Decker risulta difettoso per qualità del materiale, della costruzione o per mancata conformità entro 24 mesi dalla data di acquisto, Black & Decker garantisce la sostituzione delle parti difettose, provvede alla riparazione dei prodotti se ragionevolmente usurati oppure alla loro sostituzione, in modo da ridurre al minimo il disagio del cliente a meno che:

- ◆ Il prodotto non sia stato destinato ad usi commerciali, professionali o al noleggio;
- ◆ Il prodotto non sia stato usato in modo improprio o scorretto;
- ◆ Il prodotto non abbia subito danni causati da oggetti o sostanze estranee oppure incidenti;
- ◆ Il prodotto non abbia subito tentativi di riparazione non effettuati da tecnici autorizzati né dall'assistenza Black & Decker.

Per attivare la garanzia è necessario esibire la prova comprovante l'acquisto al venditore o al tecnico autorizzato. Per individuare il tecnico autorizzato più vicino, rivolgersi alla sede Black & Decker locale, presso il recapito indicato nel presente manuale. Altrimenti un elenco completo di tutti i tecnici autorizzati Black & Decker e i dettagli completi sui contatti e i servizi post-vendita sono disponibili su Internet presso: **www.2helpU.com**

I clienti che desiderano registrare il nuovo prodotto Black & Decker e ricevere gli aggiornamenti sui nuovi prodotti e le offerte speciali, sono invitati a visitare il sito Web (**www.blackanddecker.it**). Ulteriori informazioni sul marchio e la gamma di prodotti Black & Decker sono disponibili all'indirizzo **www.blackanddecker.it**

Gebruik volgens bestemming

Uw Black & Decker grasmaaier is bedoeld voor het maaien van gras.

Deze machine is uitsluitend bestemd voor consumentengebruik.

Veiligheidsvoorschriften

- ◆ **Waarschuwing!** Bij het gebruik van elektrische apparaten dienen ter bescherming tegen brandgevaar, elektrische schok en letsel altijd gepaste veiligheidsmaatregelen in acht te worden genomen, waaronder de volgende veiligheidsvoorschriften.
- ◆ Lees de gehele gebruiksaanwijzing aandachtig door voordat u de machine gaat gebruiken.
- ◆ Zorg ervoor dat u voor gebruik weet hoe u de machine in geval van nood kunt uitschakelen.
- ◆ Bewaar deze instructies zorgvuldig!

Training

- ◆ Lees de instructies zorgvuldig. Zorg dat u bekend bent met de bedieningsonderdelen en het juiste gebruik van de machine.
- ◆ Verbied kinderen en personen die niet van de inhoud van deze handleiding op de hoogte zijn het gebruik van deze machine. De leeftijd van de bediener kan aan plaatselijke voorschriften gebonden zijn.
- ◆ Gebruik de machine niet wanneer er mensen, met name kinderen, of huisdieren in de buurt zijn.
- ◆ Onthoud dat de gebruiker verantwoordelijk zal worden gesteld voor ongelukken of gevaren aan andere mensen of hun eigendommen.

Voorbereiding

- ◆ Draag stevige schoenen of laarzen om uw voeten te beschermen. Gebruik de machine niet met open sandalen of blootsvoets. Draag een lange broek om uw benen te beschermen.
- ◆ Draag een veiligheidsbril als u deze machine bedient. Draag een gezichts- of stofmasker bij werkzaamheden in stoffige omgevingen. Gehoorbescherming moet worden gebruikt als het geluidsniveau onaangenaam hoog is.
- ◆ Bescherming tegen elektrische schok. Vermijd aanraking van geaarde oppervlakken (bijv. metalen relingen, lantaarnpalen, enz.).
- ◆ Controleer voordat u met de machine gaat werken op zicht of het mes, de mesmoer en messamenstelling niet versleten of beschadigd zijn. Controleer of de mesmoer goed is vastgedraaid.
- ◆ Controleer voordat u met de machine gaat werken of er geen stokjes, steentjes, draad en andere objecten op het te maaien gebied liggen.

Bediening

- ◆ Werk nooit met de machine met defecte beschermkappen of schilden of zonder dat de veiligheidsvoorzieningen, zoals defletores en/of grasopvangbakken, zijn aangebracht.
- ◆ Gebruik de machine alleen bij daglicht of goed kunstlicht.
- ◆ Stel de machine niet bloot aan regen. Gebruik de machine niet in een vochtige of natte omgeving. Gebruik de machine bij voorkeur niet bij nat gras.
- ◆ Zorg altijd voor een juiste, stabiele houding, met name op hellingen. Houd er rekening mee dat pas gemaaid gras vochtig en glad is. Werk niet op steile hellingen.
- ◆ Bewerk hellingen in stroken van links naar rechts, nooit van boven naar beneden. Ga uiterst voorzichtig te werk bij het veranderen van richting op hellingen.
- ◆ Loop rustig met de machine, ga niet hardlopen. Trek de machine niet naar u toe. Loop ook niet achteruit terwijl u de machine gebruikt.
- ◆ Schakel de machine volgens de instructies uit en houd uw voeten op gepaste afstand van het mes.
- ◆ Kantel de machine niet tijdens het inschakelen, behalve als de machine moet worden gekanteld om te kunnen starten. Kantel in dit geval de machine niet meer dan absoluut noodzakelijk en kantel alleen het deel dat van de gebruiker is afgekeerd. Ga voordat u de machine weer op de grond zet altijd of beide handen zich in de bedieningspositie bevinden.
- ◆ Als de machine moet worden gekanteld om deze over andere oppervlaktes dan gras te transporteren en om de machine naar en van het te maaien gebied te transporteren, schakel dan de machine uit en wacht tot het mes tot stilstand is gekomen.
- ◆ Til de machine niet op en draag deze niet voordat het mes volledig tot stilstand is gekomen.
- ◆ Houd uw handen en voeten uit de buurt van mes. Houd uw handen en voeten uit de buurt van draaiende delen.
- ◆ Blijf te allen tijde uit de buurt van uitvoeropeningen.
- ◆ Schakel de machine uit, haal de stekker uit het stopcontact en controleer of de bewegende delen tot stilstand zijn gekomen voordat u de machine zonder toezicht achterlaat of enig onderdeel van de machine verwisselt, reinigt of controleert of een obstructie gaat verhelpen. Als de machine heftig begint te trillen of wanneer u een vreemd voorwerp raakt, schakel de machine dan uit en haal de stekker uit het stopcontact. Controleer of de machine is beschadigd.
- ◆ Zorg dat het netsnoer niet in de buurt van het mes komt. Zorg dat u altijd weet waar het snoer zich bevindt.
- ◆ De motor blijft nog een aantal seconden draaien nadat de machine is uitgeschakeld. Probeer nooit om het mes geforceerd tot stilstand te brengen.


Onderhoud en opslag


- ◆ Controleer de machine voor gebruik op beschadigde of defecte onderdelen. Controleer of alle bewegende delen correct gemonteerd zijn, of er geen onderdelen gebroken zijn, of er geen beschermkappen en schakelaars beschadigd zijn en of er geen andere gebreken zijn die invloed op de werking van de machine zouden kunnen hebben. Vergewis u ervan dat de machine goed werkt. Gebruik de machine nooit als een beveiliging of afdekking beschadigd is of ontbreekt. Gebruik de machine niet als enig onderdeel beschadigd of defect is. Gebruik de machine niet als de aan/uitschakelaar niet werkt. Defecte onderdelen dienen door een erkend servicecentrum te worden gerepareerd of vervangen.
- ◆ Controleer het snoer regelmatig op beschadiging. Indien het snoer is beschadigd, moet het om gevaren te voorkomen door een erkend servicecentrum worden vervangen. Controleer verlengsnoeren regelmatig. Vervang een beschadigd verlengsnoer onmiddellijk.
- ◆ Houd alle moeren, bouten en schroeven op de machine goed aangedraaid om veilige werkomstandigheden te garanderen.
- ◆ Controleer de grasopvangzak op slijtage en beschadiging en vervang deze indien nodig. Gebruik de machine nooit zonder de grasopvangzak.
- ◆ Indien niet in gebruik moet de machine op een droge plaats worden opgeborgen. Kinderen mogen geen toegang hebben tot opgeborgene machines.
- ◆ Zorg dat er alleen vervangende messen van het juiste type worden gebruikt.
- ◆ Gebruik uitsluitend reserveonderdelen en accessoires van Black & Decker.

Pictogrammen

De machine is voorzien van de volgende pictogrammen:


 Lees de handleiding voordat u met de machine gaat werken.

 Stel de machine niet bloot aan regen.

 Haal als het netsnoer is beschadigd de stekker uit het stopcontact.

 Houd omstanders uit de buurt

 Haal de stekker uit het stopcontact voordat u instel-, reparatie- of onderhoudswerkzaamheden gaat uitvoeren.

 Pas op voor scherpe randen.



Houd het snoer uit de buurt van de snijbladen.

Elektrische veiligheid

De machine moet altijd bij het elektriciteitsnet worden uitgeschakeld alvorens een stekker en stopcontact of verlengsnoer los te koppelen.

Dubbele isolatie



Deze machine is dubbel geïsoleerd overeenkomstig EN 60335. Een aarddraad is daarom niet vereist. Controleer altijd of uw netspanning overeenkomt met de waarde op het typeplaatje.

Elektrische veiligheid kan verder worden verhoogd met behulp van een hooggevoelige 30 mA reststroomschakelaar (RCD).

Verlengsnoeren

Gebruik uitsluitend goedgekeurde verlengsnoeren, die geschikt zijn voor het vermogen van de machine (zie technische gegevens). Het verlengsnoer dient geschikt te zijn voor gebruik buitenshuis en als zodanig zijn gemerkt. Een 1,5 mm H05VV-F verlengsnoer met een lengte tot 30 m kan worden gebruikt zonder dat dit de werking van de machine beïnvloedt. Controleer het verlengsnoer voor gebruik op beschadiging, veroudering en slijtage. Vervang een beschadigd of defect verlengsnoer. Wanneer het verlengsnoer op een haspel zit, rol het snoer dan helemaal af.

Onderdelen

1. Aan/uit-schakelaar
2. Ontgrendelingsknop
3. Schakelkast
4. Bovenste handgreep
5. Onderste handgreep
6. Grasopvangzak
7. Motorafdekkap
8. Wielen

Assemblage

Waarschuwing! Zorg vóór aanvang van de montage dat de machine is uitgeschakeld en de stekker uit het stopcontact is gehaald.

De handgreep monteren (fig. A)

- ◆ Bevestig het onderdeel (5) van de onderste handgreep op de bovenste handgreep (4) met behulp van de knoppen (9), de sluitringen (10) en schroeven (11) zoals aangegeven.

De handgreep monteren (fig. B)

- ◆ Steek de uiteinden van de onderste handgreep (5) in de overeenkomstige gaten (12) in de maaier.
- ◆ Duw de handgreep zover mogelijk naar beneden.
- ◆ Bevestig de handgreep met behulp van de schroeven (13).

De kabel bevestigen (fig. C)

Het netsnoer moet met gebruikmaking van de trekontlasting worden bevestigd.

- ◆ Klem de ene trekontlasting (14) op het snoer dat van de schakelkast naar de motor loopt. Bevestig de trekontlasting aan de onderste handgreep (5).
- ◆ Klem de andere trekontlasting (14) op het snoer dat van de schakelkast naar de stekker loopt. Bevestig de trekontlasting aan de bovenste handgreep (4).

Waarschuwing! Zorg dat het snoer in de trekontlasting is vastgezet voordat de stekker in het stopcontact wordt gestoken.

Aanbrengen van de grasopvangzak (fig. D)

- ◆ Til de klep (15) omhoog en trek de grasopvangzak over de nokken (16).

Gebruik

Waarschuwing! Laat de machine op eigen tempo werken. Niet overbelasten.

Instellen van de maaihoogte (fig. E)

De maaihoogte wordt ingesteld door de hoogte van de wielen te wijzigen.

Waarschuwing! Haal de stekker uit het stopcontact en wacht tot het mes niet meer ronddraait, alvorens verder te gaan.

- ◆ Zet de wielen (8) vrij door ze uit hun vergrendelde positie te draaien.
- ◆ Stel de wielen in op de gewenste hoogte.
- ◆ Zwenk de wielen terug in hun vergrendelde positie en zorg dat alle wielen op dezelfde hoogte zijn ingesteld.

In- en uitschakelen

Inschakelen

- ◆ Houd de handgreep met beide handen vast en kantel deze iets naar beneden om de voorkant van de machine iets op te tillen.
- ◆ Houd de ontgrendelingsknop (2) ingedrukt, terwijl u de aan/uit-schakelaar (1) naar u toe trekt.
- ◆ Laat de ontgrendelingsknop los.
- ◆ Laat de machine terugkeren naar de werkpositie

Uitschakelen

- ◆ Om de machine uit te schakelen, schakelt u de aan/uitschakelaar (1) uit.

Waarschuwing! Probeer nooit om de schakelaar in de ingeschakelde stand te vergrendelen.

Maaien (fig. F & G)

Wij adviseren u om de grasmachine te gebruiken, zoals in dit gedeelte beschreven, om de beste resultaten te bereiken en het risico om het netsnoer door te snijden te verkleinen.

- ◆ Leg het grootste gedeelte van het netsnoer op het grasveld, dichtbij het startpunt (positie 1 in fig. F).
- ◆ Schakel de machine in zoals hierboven beschreven.
- ◆ Ga te werk als aangeven in fig. F.
 - ◆ Beweeg van positie 1 naar positie 2.
 - ◆ Draai naar rechts en ga naar positie 3.
 - ◆ Draai naar links en ga naar positie 4.
- ◆ Herhaal bovenstaande procedure indien nodig.

Waarschuwing! Werk niet in de richting van de kabel zoals aangegeven in fig. G.

Het legen van de grasopvangzak

- ◆ Wanneer los gras van onderuit de grasmaaier komt, moet u de grasopvangzak legen.

Waarschuwing! Gebruik de machine nooit zonder de grasopvangzak.

Tips voor optimaal gebruik

- ◆ Als het gras langer is dan ongeveer 10 cm, moet u twee keer maaien om een beter resultaat te krijgen. Maai eerst op de maximum maaihoogte, gebruik vervolgens een lage of een tussenmaaihoogte.
- ◆ Voor een optimaal resultaat kunt u het beste alleen droog gras maaien.

Onderhoud

Uw Black & Decker-apparaat is ontworpen om gedurende langere periode te functioneren met een minimum aan onderhoud. Voortdurend tevreden gebruik is afhankelijk van correct onderhoud en regelmatig schoonmaken.

- ◆ Houd het apparaat schoon en droog.
- ◆ Reinig de ventilatieopeningen regelmatig met een schone, droge borstel.
- ◆ Gebruik regelmatig een botte krabber om gras en vuil uit de machine te verwijderen.

- ◆ Gebruik alleen zachte zeep en een vochtige doek om de machine te reinigen. Zorg ervoor dat er geen vloeistof in de machine kan komen en dompel geen enkel onderdeel van de machine ooit onder in vloeistof. Gebruik geen schuur- of oplosmiddel.

Onderhoud van het mes

- ◆ Verwijder regelmatig gras en vuil van het mes.
- ◆ Controleer het mes zorgvuldig aan het begin van het tuinseizoen.
- ◆ Als het mes stomp is, moet u het mes slijpen of vervangen.
- ◆ Als het mes beschadigd of versleten is, moet u een nieuw mes monteren, zoals hieronder beschreven.

Het mes vervangen (fig. H)

Een vervangend mes is verkrijgbaar bij uw Black & Deckerdealer.
- GR389: cat. no. A6245

Waarschuwing! Neem de volgende veiligheidsmaatregelen in acht:

- ◆ Haal de stekker uit het stopcontact en wacht tot het mes niet meer ronddraait, alvorens verder te gaan.
- ◆ Let op dat u zich niet snijdt. Gebruik werkhandschoenen of een doek om het mes vast te houden.
- ◆ Gebruik alleen een gespecificeerd vervangend mes.
- ◆ Verwijder het rotorblad (17) niet zonder reden.

Voor het vervangen van het mes:

- ◆ Draai de machine op zijn zij.
- ◆ Houd het mes (18) vast met een hand.
- ◆ Gebruik de meegeleverde sleutel om de bladmoer (19) los te draaien en te verwijderen.
- ◆ Vervang het mes.
- ◆ Plaats de sluitring (indien eerder gemonteerd) en de moer terug.
- ◆ Draai de mesmoer zorgvuldig vast.

Storingen verhelpen

Indien uw machine niet naar behoren functioneert, volg dan onderstaande instructies. Als hierdoor het probleem niet wordt opgelost, kunt u contact opnemen met uw plaatselijke Black & Decker servicecentrum.

Waarschuwing! Haal voordat u de werkzaamheden gaat uitvoeren de stekker uit het stopcontact.

De motor bromt, maar het mes beweegt niet

- ◆ Verwijder voorzichtig de eventuele obstructies van het mes.

Geen geluid en het mes beweegt niet

- ◆ Controleer of de voedingskabels correct zijn aangesloten.
- ◆ Controleer de netzekeringen.

Milieu



Gescheiden inzameling. Dit product mag niet met het gewone huishoudelijke afval worden weggegooid.

Wanneer uw oude Black & Deckerproduct aan vervanging toe is of het u niet langer van dienst kan zijn, gooi het dan niet bij het huishoudelijk afval. Zorg ervoor dat het product gescheiden kan worden ingezameld.



Door gebruikte producten en verpakkingen gescheiden in te zamelen, kunnen de materialen worden gerecycled en opnieuw gebruikt. Hergebruik van gerecyclede materialen voorkomt milieuvuiling en vermindert de vraag naar grondstoffen.

Inzamelpunten voor gescheiden inzameling van elektrische huishoudproducten bij gemeentelijke vuilnisbergen of bij de verkoper waar u een nieuw product koopt, kunnen aan plaatselijke voorschriften gebonden zijn.

Black & Decker biedt de mogelijkheid tot inzamelen en recyclen van afgedankte Black & Decker producten. Om gebruik van deze service te maken, dient u het product aan een van onze servicecentra te sturen, die voor ons de inzameling verzorgen.

U kunt het adres van het dichtstbijzijnde servicecentrum opvragen via de adressen op de achterzijde van deze handleiding. U kunt ook een lijst van onze servicecentra en meer informatie m.b.t. onze klantenservice vinden op het volgende Internet-adres: www.2helpU.com

Technische gegevens

	GR 369 LM382	GR383	GR384 GR389
Spanning	V 230	230	230
Opgenomen vermogen	W 1.200	1.300	1.400
Onbelast toerental	min ⁻¹ 2.700	2.700	2.700
Meslengte	mm 380	380	380
Gewicht	kg 14,5	14,5	14,5

EG-conformiteitsverklaring

GR369, GR383, GR384, GR389, LM382

Black & Decker verklaart dat deze producten in
overeenstemming zijn met:

98/37/EEG, 89/336/EEG, 73/23/EEG, EN 55014, EN 60335,

EN 61000, 2000/14/EEG,

Grasmaaier, $L \leq 50$ cm, Annex VI, No. 499

SNCH, L-5230 Sandweiler, Luxembourg

 L_{pA} (geluidsdruk) 75 dB(A), L_{WA} (geluidsvermogen) 88 dB(A), L_{WA} (gegarandeerd) 96 dB(A), gewogen kwadratische
gemiddelde waarde van de versnelling 1,5 m/s²

Kevin Hewitt

Director of Consumer Engineering
Spennymoor, County Durham DL16 6JG,

Verenigd Koninkrijk

1-8-2004

Meld u aan op onze website www.blackanddecker.nl om te worden geïnformeerd over nieuwe producten en speciale aanbiedingen. Verdere informatie over het merk Black & Decker en onze producten vindt u op www.blackanddecker.nl

Garantie

Black & Decker heeft vertrouwen in zijn producten en biedt een uitstekende garantie. Deze garantiebepalingen vormen een aanvulling op uw wettelijke rechten en beperken deze niet. De garantie geldt in de lidstaten van de Europese Unie en de Europese Vrijhandelsassociatie.

Mocht uw Black & Decker product binnen 24 maanden na datum van aankoop defect raken tengevolge van materiaal- of constructiefouten, dan garanderen wij de kosteloze vervanging van defecte onderdelen, de reparatie van het product of de vervanging van het product, tenzij:

- ◆ Het product is gebruikt voor handelsdoeleinden, professionele toepassingen of verhuurdoeleinden;
- ◆ Het product onoordeelkundig is gebruikt;
- ◆ Het product is beschadigd door invloeden van buitenaf of door een ongeval;
- ◆ Reparaties zijn uitgevoerd door anderen dan onze servicecentra of Black & Decker personeel.

Om een beroep op de garantie te doen, dient u een aankoopbewijs te overhandigen aan de verkoper of een van onze servicecentra. U kunt het adres van het dichtstbijzijnde servicecentrum opvragen via de adressen op de achterzijde van deze handleiding. U kunt ook een lijst van onze servicecentra en meer informatie m.b.t. onze klantenservice vinden op het volgende Internet-adres: www.2helpU.com

Finalidad

El cortacésped Black & Decker ha sido diseñado para cortar césped.

Esta herramienta está pensada únicamente para uso doméstico.

Instrucciones de seguridad

- ◆ **¡Advertencia!** Cuando use aparatos eléctricos, debe seguir siempre las precauciones de seguridad básicas, incluidas las siguientes, a fin de reducir el riesgo de incendios, electrocución y lesiones personales.
- ◆ Lea atentamente el manual completo antes de utilizar el aparato.
- ◆ Antes de poner en marcha el aparato, compruebe que sabe cómo desconectarlo en caso de emergencia.
- ◆ Conserve este manual a mano para consultas posteriores.

Formación

- ◆ Lea detenidamente las instrucciones. Familiarícese con los controles y el uso adecuado del aparato.
- ◆ No deje que el aparato sea utilizado por niños o por personas que no estén familiarizadas con el uso del mismo. La normativa local puede restringir la edad del operador.
- ◆ No utilice nunca el aparato mientras haya otras personas, sobre todo niños, o animales de compañía cerca.
- ◆ Recuerde que el operador será responsable de los accidentes o daños ocasionados a otras personas o a sus pertenencias.

Preparación

- ◆ Lleve zapatos resistentes o botas para protegerse los pies. No trabaje con este aparato cuando lleve calzado con los dedos al aire o cuando esté descalzo. Lleve pantalones largos para protegerse las piernas.
- ◆ Lleve gafas de cristal inastillable o protectoras cuando utilice esta herramienta. Utilice una mascarilla siempre que las operaciones se lleven a cabo en entornos polvorientos. La protección auditiva se considerará desgastada cuando el nivel del sonido resulte incómodo.
- ◆ Protéjase contra la electrocución. Evite el contacto del cuerpo con superficies conectadas a masa o tierra (por ejemplo verjas metálicas o farolas, etc.).
- ◆ Antes de usar el aparato, compruebe visualmente que la cuchilla, la tuerca de la cuchilla y el conjunto de cuchillas no estén desgastados ni dañados. Compruebe que la tuerca de la cuchilla esté firmemente sujeta.
- ◆ Antes de iniciar el trabajo, compruebe que el trayecto de corte esté libre de palos, piedras, cables o cualquier otro obstáculo.

Funcionamiento

- ◆ No utilice nunca el aparato con protectores o blindajes defectuosos, o sin los dispositivos de seguridad, por ejemplo deflectores y/o colectores de césped, instalados.

- ◆ Utilice el aparato sólo a la luz del día o con una buena iluminación artificial.
- ◆ No exponga el aparato a la lluvia. No use el aparato en condiciones de humedad. Preferiblemente, no utilice el aparato con el césped húmedo.
- ◆ Asegúrese de estar firmemente asentado, especialmente en las cuestas. Tenga en cuenta que el césped recién cortado está húmedo y resbaladizo. No trabaje en cuestas empinadas.
- ◆ Trabaje a lo ancho de las cuestas, nunca hacia arriba y abajo. Extreme las precauciones cuando cambie de dirección en las cuestas.
- ◆ Camine, no corra, mientras usa el aparato. No tire del aparato hacia usted o camine hacia atrás cuando esté usando el aparato.
- ◆ Encienda el aparato siguiendo las instrucciones y con los pies bien alejados de la cuchilla.
- ◆ No incline el aparato cuando lo encienda, a menos que haya que inclinarlo para comenzar. En ese caso, no incline el aparato más allá de lo absolutamente necesario y levante sólo la parte que está alejada del operador. Asegúrese siempre de que ambas manos estén en la posición de funcionamiento antes de volver a colocar el aparato en el suelo.
- ◆ Apague el aparato y espere a que el conjunto de cuchillas se detenga si tiene que inclinarlo para su transporte cuando atraviese superficies distintas del césped y cuando traslade el aparato hasta y desde la zona de corte.
- ◆ No levante ni traslade el aparato hasta que la cuchilla esté totalmente parada.
- ◆ Mantenga manos y pies claramente separados de la cuchilla. No coloque las manos o pies cerca o debajo de piezas giratorias.
- ◆ Manténgase en todo momento alejado de las aberturas de descarga.
- ◆ Apague el aparato, desenchúfelo del tomacorriente, y asegúrese de que todas las piezas móviles se hayan detenido completamente antes de dejar el aparato desatendido, y antes de cambiar, limpiar o inspeccionar cualquiera de las piezas del mismo o de eliminar una obstrucción. Si el aparato comenzara a vibrar anormalmente o si golpeará algún objeto extraño, apáguelo inmediatamente y desenchúfelo del tomacorriente. Compruebe si el aparato ha sufrido algún daño.
- ◆ Tenga cuidado de mantener el cable de red alejado de la cuchilla. No pierda de vista el cable en ningún momento.
- ◆ El motor continuará funcionando durante unos segundos después de desconectar el aparato. Nunca intente forzar las cuchillas para que se paren.

Mantenimiento y almacenamiento

- ◆ Antes de utilizarlo, revise el aparato para ver si está dañado o tiene piezas defectuosas. Compruebe que no existan piezas móviles mal alineadas o atascadas, piezas quebradas, protectores o interruptores dañados e interruptores o cualquier otro condicionante que pueda afectar al funcionamiento correcto del aparato. Asegúrese de que el aparato pueda funcionar adecuadamente y cumplir con el cometido para el que ha sido diseñado. No utilice nunca el aparato cuando cualquiera de sus protectores o carcasas estén dañados o fuera de sitio. No utilice el aparato si hay alguna pieza dañada o defectuosa. No utilice el aparato si no es posible apagarlo y encenderlo con el interruptor. Encargue al servicio técnico autorizado que repare o sustituya las piezas defectuosas o averiadas.
- ◆ Compruebe frecuentemente el cable para ver si está deteriorado. Si el cable está dañado, debe sustituirse en un servicio técnico autorizado con el fin de evitar un accidente. Inspeccione periódicamente los cables alargadores. Sustituya inmediatamente cualquier cable alargador dañado.
- ◆ Mantenga todas las tuercas, pernos y tornillos del aparato apretados para garantizar unas condiciones de trabajo seguras.
- ◆ Compruebe si la bolsa recogedora de césped está desgastada o dañada y cámbiela si fuera necesario. No use nunca el aparato sin la bolsa recogedora de césped.
- ◆ Cuando no se use, el aparato debe guardarse en un lugar seco. Los niños no deben tener acceso a los aparatos guardados.
- ◆ Asegúrese de utilizar únicamente cuchillas de repuesto del tipo adecuado.
- ◆ Utilice únicamente piezas de repuesto o accesorios recomendados por Black & Decker.

Símbolos de advertencia

Encontrará los siguientes símbolos de advertencia en el aparato:



Antes de iniciar las operaciones, lea el manual.



No exponga el aparato a la lluvia o a una humedad elevada.



Quite el enchufe del tomacorriente si el cable de red está dañado.



Mantenga alejadas a las personas que le rodean.



Desenchufe el aparato de la red antes de realizar cualquier ajuste, reparación o mantenimiento.



Tenga cuidado con los bordes afilados.



Mantenga el cable alejado de las cuchillas.

Seguridad eléctrica

Siempre se debe desconectar el aparato de la red antes de quitar cualquier enchufe o conector o cable alargador.

Doble aislamiento



Este aparato tiene doble aislamiento, conforme a la norma EN 60335; por consiguiente, no se requiere conexión a tierra. Compruebe siempre que la tensión de la red corresponda con el valor indicado en la placa de datos del aparato.

Se puede incrementar la seguridad eléctrica utilizando disyuntores de alta sensibilidad de 30 mA para detectar corrientes de fuga.

Utilización de un cable alargador

Utilice siempre cables alargadores homologados, apropiados para el consumo de corriente de esta herramienta (consulte los datos técnicos). El cable alargador debe ser adecuado para uso en exteriores y estar marcado en consonancia. Puede utilizarse un cable alargador HO5VV-F de 1.5 mm. de hasta 30 m. sin pérdida de rendimiento. Antes de utilizar el aparato, revise el cable alargador para ver si presenta indicios de daños, envejecimiento o desgaste. Sustituya el cable alargador si estuviera dañado o defectuoso. Si utiliza una bobina de cable, desenrolle siempre el cable completamente.

Características

1. Conmutador ON/OFF (encendido/apagado)
2. Botón de desbloqueo
3. Caja de interruptor
4. Mango superior
5. Mango inferior
6. Bolsa recogedora de césped
7. Tapa del motor
8. Ruedas

Montaje

¡Advertencia! Antes de proceder al montaje, compruebe que el aparato esté apagado y desenchufado.

Montaje del mango (fig. A)

- ◆ Fije la pieza del mango inferior (5) al mango superior (4) utilizando los pomos (9), las arandelas (10) y los tornillos (11) tal como se muestra.

Acoplamiento del mango (fig. B)

- ◆ Inserte los extremos del mango inferior (5) en los agujeros correspondientes (12) del cortacésped.
- ◆ Presione el mango hacia abajo a tope.
- ◆ Asegure el mango utilizando los tornillos (13).

Sujeción del cable (fig. C)

El cable de red debe sujetarse utilizando los sujetacables.

- ◆ Fije un sujetacables (14) al cable que va de la caja de interruptores al motor. Fije el sujetacables al mango inferior (5).
- ◆ Fije el otro sujetacables (14) al cable que va de la caja de interruptores al enchufe de red. Fije el sujetacables al mango superior (4).

¡Advertencia! Asegúrese de que el cable está fijado usando los sujetacables antes de enchufarlo a la toma de red.

Montaje de la bolsa recogedora de césped (fig. D)

- ◆ Levante la aleta (15) y coloque la bolsa recogedora de césped sobre las orejetas (16).

Uso

¡Advertencia! Deje que el aparato funcione a su ritmo. No lo sobrecargue.

Ajuste de la altura de corte (fig. E)

La altura de corte se ajusta cambiando la altura de las ruedas.

¡Advertencia! Desenchufe el aparato de la red y espere hasta que la cuchilla haya dejado de girar antes de proceder.

- ◆ Suelte las ruedas (8) haciéndolas girar para que salgan de su posición de bloqueo.
- ◆ Coloque las ruedas a la altura deseada.
- ◆ Gire las ruedas de nuevo hasta la posición de bloqueo, asegurándose de que todas las ruedas queden a la misma altura.

Encendido y apagado

Encendido

- ◆ Sujete el mango con ambas manos y muévelo ligeramente hacia abajo para elevar la parte delantera del aparato.
- ◆ Mantenga presionado el botón de desbloqueo (2) y tire del interruptor de encendido/apagado hacia usted.
- ◆ Suelte el botón de desbloqueo.

- ◆ Deje que el aparato vuelva a su posición de trabajo.

Apagado

- ◆ Para apagar el aparato, suelte el interruptor de encendido/apagado.

¡Advertencia! No intente nunca bloquear el interruptor en la posición de encendido.

Corte de césped (fig. F & G)

Le recomendamos que utilice el cortacésped tal como se explica en esta sección con el fin de lograr los mejores resultados y evitar cortar el cable de red.

- ◆ Coloque el grueso del cable de red sobre el césped, cerca del punto de inicio (posición 1 de la fig. F).
- ◆ Encienda el aparato tal como se explicó anteriormente.
- ◆ Proceda tal como se muestra en la fig. F.
 - ◆ Muévase de la posición 1 a la 2.
 - ◆ Gire a la derecha y prosiga hasta la posición 3.
 - ◆ Gire a la izquierda y muévase a la posición 4.
- ◆ Repita este procedimiento las veces que sean necesarias.

¡Advertencia! No trabaje en dirección al cable tal como se indica en la fig. G.

Vaciado de la bolsa recogedora de césped

- ◆ Cuando vea hierba suelta que se esparce por debajo del cortacésped, vacíe la bolsa recogedora de césped.

¡Advertencia! No use nunca el aparato sin la bolsa recogedora de césped.

Consejos para un uso óptimo

- ◆ Si el césped tiene una longitud superior a 10 cm realice dos cortes para conseguir un acabado mejor. Primero, corte a la altura máxima de corte, después utilice una altura de corte baja o media.
- ◆ Para lograr un corte óptimo, corte únicamente el césped que esté seco.

Mantenimiento

Su aparato Black & Decker está diseñado para que funcione durante un largo período de tiempo con un mantenimiento mínimo. El funcionamiento satisfactorio continuado depende de un cuidado apropiado y una limpieza periódica del aparato.

- ◆ Conserve el aparato limpio y seco.
- ◆ Limpie con regularidad las ranuras de ventilación con un cepillo limpio y seco.
- ◆ Utilice periódicamente un raspador como para eliminar la hierba y la suciedad del aparato.

- ◆ Para limpiar el aparato, utilice sólo jabón suave y un paño húmedo. No permita nunca la entrada de líquido en la herramienta y no sumerja nunca ninguna parte de ésta en líquido. No utilice ninguna sustancia limpiadora abrasiva o que contenga disolventes.

Mantenimiento de la cuchilla

- ◆ Periódicamente elimine la hierba y la suciedad de la cuchilla.
- ◆ Al comienzo de la época de segado, examine minuciosamente el estado de la cuchilla.
- ◆ Si la cuchilla está roma, afílela o cámbiela.
- ◆ Si la cuchilla está dañada o desgastada, coloque una nueva tal como se explica seguidamente.

Cambio de la cuchilla (fig. H)

La cuchilla de repuesto se encuentra disponible en su distribuidor de Black & Decker.

- GR389: Nº de cat. A6389

¡Advertencia! Observe las siguientes precauciones:

- ◆ Desenchufe el aparato de la red y espere hasta que la cuchilla haya dejado de girar antes de proceder.
- ◆ Tenga cuidado de no cortarse. Use guantes resistentes o un paño para coger la cuchilla.
- ◆ Utilice únicamente la cuchilla de repuesto especificada.
- ◆ En ningún caso retire el impulsor (17).

Para volver a colocar la cuchilla:

- ◆ Vuelque el aparato sobre su lado.
- ◆ Agarre la cuchilla (18) con una mano.
- ◆ Use la llave que se suministra para aflojar y extraer la tuerca de sujeción de la cuchilla (19).
- ◆ Vuelva a colocar la cuchilla.
- ◆ Vuelva a colocar la arandela (si estaba puesta antes) y la tuerca.
- ◆ Apriete firmemente la tuerca de la cuchilla.

Solución de problemas

Si el aparato no funciona adecuadamente, siga estas instrucciones. Si esto no soluciona el problema, póngase en contacto con el servicio técnico de Black & Decker de su zona.

¡Advertencia! Antes de continuar, quite el enchufe de la toma.

El motor zumba pero la cuchilla no se mueve

- ◆ Elimine con cuidado cualquier obstrucción de la cuchilla.

No hay ningún ruido y la cuchilla no se mueve

- ◆ Compruebe si los cables de alimentación de corriente están bien conectados.
- ◆ Compruebe los fusibles de alimentación de corriente.

Protección del medio ambiente



Separación de desechos. Este producto no debe desecharse con la basura doméstica normal.

Si llega el momento de reemplazar su producto Black & Decker o éste ha dejado de tener utilidad para usted, no lo deseche con la basura doméstica normal. Asegúrese de que este producto se deseche por separado.



La separación de desechos de productos usados y embalajes permite que los materiales puedan reciclarse y reutilizarse. La reutilización de materiales reciclados ayuda a evitar la contaminación medioambiental y reduce la demanda de materias primas.

La normativa local puede prever la separación de desechos de productos eléctricos de uso doméstico en centros municipales de recogida de desechos o a través del distribuidor cuando adquiere un nuevo producto.

Black & Decker proporciona facilidades para la recogida y el reciclado de los productos Black & Decker que hayan llegado al final de su vida útil. Para hacer uso de este servicio, devuelva su producto a cualquier servicio técnico autorizado, que lo recogerá en nuestro nombre.

Puede consultar la dirección de su servicio técnico más cercano poniéndose en contacto con la oficina local de Black & Decker en la dirección que se indica en este manual. Como alternativa, puede consultar en Internet la lista de servicios técnicos autorizados e información completa de nuestros servicios de posventa y contactos en la siguiente dirección: **www.2helpU.com**

Características técnicas

	GR 369 LM382	GR383	GR384 GR389
Voltaje	V 230	230	230
Potencia absorbida	W 1.200	1.300	1.400
Velocidad sin carga	min ⁻¹ 2.700	2.700	2.700
Longitud de la cuchilla	mm 380	380	380
Peso	kg 14,5	14,5	14,5

Declaración de conformidad CE

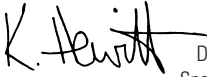
GR369, GR383, GR384, GR389, LM382

Black & Decker declara que estos productos cumplen las normas siguientes:

98/37/CEE, 89/336/CEE, 73/23/CEE, EN 55014, EN 60335, EN 61000, 2000/14/EC,

Cortacésped, $L \leq 50$ cm, Anexo VI, Nº 499
SNCH, L-5230 Sandweiler, Luxembourg

L_{pA} (presión acústica) 75 dB(A), L_{WA} (potencia acústica) 88 dB(A), L_{WA} (garantizada) 96 dB(A), vibraciones soportadas en mano/brazo 1,5 m/s²



Kevin Hewitt

Director de Ingeniería del Consumidor
Spennymoor, County Durham DL16 6JG,
Reino Unido
1-8-2004

Para reclamar en garantía, será necesario que presente la prueba de compra al vendedor o al servicio técnico de reparaciones autorizado. Pueden consultar la dirección de su servicio técnico más cercano poniéndose en contacto con la oficina local de Black & Decker en la dirección que se indica en este manual. Como alternativa, se puede consultar en Internet, en la dirección siguiente, la lista de servicios técnicos autorizados e información completa de nuestros servicios de postventa y contactos:

www.2helpU.com

Visite nuestro sitio web **www.blackanddecker.com** para registrar su nuevo producto Black & Decker y mantenerse al día sobre nuestros productos y ofertas especiales. Encontrará información adicional sobre la marca Black & Decker y nuestra gama de productos en **www.blackanddecker.com**

Garantía

Black & Decker confía plenamente en la calidad de sus productos y ofrece una garantía extraordinaria. Esta declaración de garantía es una añadido, y en ningún caso un perjuicio para sus derechos estatutarios. La garantía es válida dentro de los territorios de los Estados Miembros de la Unión Europea y de los de la Zona Europea de Libre Comercio.

Si un producto Black & Decker resultará defectuoso debido a materiales o mano de obra defectuosos o a la falta de conformidad, Black & Decker garantiza, dentro de los 24 meses de la fecha de compra, la sustitución de las piezas defectuosas, la reparación de los productos sujetos a un desgaste y rotura razonables o la sustitución de tales productos para garantizar al cliente el mínimo de inconvenientes, a menos que:

- ◆ El producto haya sido utilizado con propósitos comerciales, profesionales o de alquiler;
- ◆ El producto haya sido sometido a un uso inadecuado o negligente;
- ◆ El producto haya sufrido daños causados por objetos o sustancias extrañas o accidentes;
- ◆ Se hayan realizado reparaciones por parte de personas que no sean los servicios de reparación autorizados o personal de servicios de Black & Decker;

Utilização

O seu corta-relva Black & Decker foi concebido para cortar relva. Esta ferramenta destina-se apenas ao doméstico.

Instruções de segurança

- ◆ **Advertência!** Ao utilizar aparelhos eléctricos, siga sempre as precauções básicas de segurança, incluindo as detalhadas a seguir, para diminuir os riscos de incêndio, choque eléctrico e ferimentos pessoais.
- ◆ Leia atentamente este manual antes de utilizar o aparelho.
- ◆ Antes de utilizar o aparelho, certifique-se de que sabe como desligá-lo em caso de emergência.
- ◆ Guarde este manual para futura consulta.

Formação

- ◆ Leia atentamente as instruções. Familiarize-se com os controlos e com a utilização correcta do aparelho.
- ◆ Não permita que as crianças ou qualquer pessoa que não esteja familiarizada com estas instruções utilizem o aparelho. Os regulamentos locais poderão limitar a idade do utilizador para a utilização do aparelho.
- ◆ Não utilize o aparelho na presença de outras pessoas, em especial perto de crianças ou animais.
- ◆ Lembre-se que o operador poderá ser responsabilizado por acidentes ou danos causados a pessoas ou aos seus bens.

Preparação

- ◆ Use sapatos ou botas robustos para proteger os pés. Não utilize o aparelho se estiver descalço ou a utilizar sandálias. Use calças compridas para proteger as pernas.
- ◆ Utilize óculos de segurança durante o funcionamento da ferramenta. Utilize uma máscara facial ou de protecção contra pó sempre que efectuar trabalhos em locais poeirentos. Deverá utilizar auriculares de protecção sempre que o nível de som se tornar desagradável.
- ◆ Tenha cuidado com os choques eléctricos. Evite o contacto com superfícies ligadas à terra tais como trilhos de metal, postes de iluminação, etc.
- ◆ Antes de utilizar o aparelho, verifique visualmente se a lâmina, a porca da lâmina e o conjunto de corte não estão gastos ou danificados. Verifique se a porca da lâmina está bem apertada.
- ◆ Antes de utilizar o aparelho, verifique se o percurso de corte está livre de gravetos, pedras, arame ou quaisquer outros obstáculos.

Operação

- ◆ Nunca utilize o aparelho com resguardos ou protecções defeituosos, ou sem os dispositivos de segurança, por exemplo deflectores e/ou apanha relvas.
- ◆ Utilize o aparelho apenas durante o dia ou com boa iluminação artificial.

- ◆ Não exponha o aparelho à chuva. Não utilize o aparelho em situações onde haja humidade ou água. Não utilize o aparelho em relva molhada.
- ◆ Tenha atenção ao piso, especialmente em declives. Lembre-se que a relva recém-cortada é húmida e escorregadia. Não trabalhe em declives acentuados.
- ◆ Em declives, trabalhe transversalmente, nunca em direcção ascendente e descendente. Tenha especial atenção aquando da mudança de direcção em declives.
- ◆ Caminhe, nunca corra durante a utilização do aparelho. Não puxe o aparelho na sua direcção ou ande para trás durante a utilização do mesmo.
- ◆ Ligue o aparelho de acordo com as instruções e com os pés afastados da lâmina.
- ◆ Não incline o aparelho aquando da sua ligação, excepto se o este tiver de ser inclinado para o arranque. Nesse caso, não incline o aparelho mais do que o absolutamente necessário e levante apenas a parte que estiver afastada do operador. Assegure-se de que ambas as mãos estão na posição de operação antes de voltar a colocar o aparelho no chão.
- ◆ Desligue o aparelho e espere que o conjunto da lâmina pare caso o aparelho tenha de ser inclinado para o transporte, aquando da passagem por superfícies que não relva e quando tiver de mover o aparelho de e para a área onde se encontra.
- ◆ Não levante nem transporte o aparelho enquanto a lâmina não estiver completamente parada.
- ◆ Mantenha as mãos e os pés bem afastados da lâmina. Não coloque as mãos nem os pés perto ou debaixo das peças rotativas.
- ◆ Mantenha-se sempre afastado das aberturas de descarga.
- ◆ Desligue e remova a ficha da tomada e certifique-se de que as peças giratórias estão paradas antes de deixar o aparelho sem vigilância e antes de trocar, limpar ou inspecionar qualquer peça do aparelho ou para eliminar qualquer obstrução. Caso o aparelho comece a vibrar de forma anormal ou se atingir um objecto estranho, desligue o aparelho e remova a ficha da tomada. Verifique se o aparelho apresenta danos.
- ◆ Tenha em atenção para que o cabo de alimentação eléctrica fique longe da lâmina. Esteja sempre atento ao posicionamento do cabo.
- ◆ O motor continua a funcionar durante alguns segundos depois de desligar o aparelho. Nunca tente forçar a paralisação da lâmina.

Manutenção e armazenamento

- ◆ Antes de utilizar o aparelho, verifique a existência de danos ou defeitos nas peças.

Verifique se as peças móveis estão alinhadas e engatadas, se há alguma peça partida, se as protecções e os interruptores estão danificados, bem como quaisquer outras condições que possam afectar o funcionamento do aparelho. Assegure-se de que o aparelho funciona correctamente e de que está a desempenhar as funções para as quais foi projectado. Nunca utilize o aparelho se houver danos em alguma protecção ou invólucro ou se os mesmos estiverem fora do lugar. Não utilize o aparelho se houver alguma peça defeituosa ou danificada. Não utilize o aparelho se o interruptor não estiver a funcionar para ligar ou desligar. Qualquer peça defeituosa ou danificada deverá ser reparada ou substituída por um técnico autorizado.

- ◆ Verifique frequentemente se o cabo está danificado. Para evitar situações de risco, o cabo eléctrico danificado deverá ser substituído por um técnico autorizado. Inspeccione periodicamente os cabos de extensão. Substitua imediatamente um cabo de extensão danificado.
- ◆ Mantenha todas as porcas, Pernos e parafusos bem apertados para assegurar um funcionamento seguro do aparelho.
- ◆ Verifique se a caixa colectora da relva está gasta ou danificada e substitua-a se necessário. Nunca utilize o aparelho sem a caixa colectora da relva.
- ◆ Quando não estiver em utilização, guarde o aparelho num local seco. Mantenha o aparelho fora do alcance das crianças.
- ◆ Assegure-se de que utiliza apenas lâminas de corte do tipo adequado.
- ◆ Utilize apenas peças sobressalentes e acessórios Black & Decker.

Símbolos de advertência

Os símbolos de advertência a seguir encontram-se no aparelho:



Leia o manual antes de utilizar o produto.



Não exponha o aparelho à chuva e humidade excessiva.



Remova a ficha da tomada caso o cabo de alimentação eléctrica esteja danificado.



Mantenha as outras pessoas afastadas.



Remova a ficha da tomada antes de efectuar qualquer ajuste, reparação ou manutenção.



Tenha atenção às extremidades afiadas.



Mantenha o cabo afastado das lâminas de corte.

Segurança eléctrica

O aparelho deve ser sempre desligado da corrente antes de desligar qualquer ficha e conector de corrente ou cabo de extensão.

Isolamento duplo



Este aparelho tem duplo isolamento em conformidade com o estipulado na norma EN 60335, não sendo, por isso, necessária uma ligação à terra. Certifique-se sempre de que o fornecimento de energia corresponde à voltagem indicada na placa de especificações.

A segurança eléctrica pode ser melhorada mediante o uso de dispositivos de corrente residual (RCD) de alta sensibilidade de 30 mA.

Extensões

Utilize sempre um cabo de extensão aprovado e adequado à potência de entrada desta ferramenta (consulte os dados técnicos). O cabo de extensão deve ser adequado para uso em ambientes externos e deve estar correctamente assinalado. Até 30 m, pode ser utilizado um cabo de extensão H05VV-F de 1,5 mm sem afectar o desempenho do produto. Antes de utilizar, verifique se há sinais de danos, envelhecimento e desgaste no cabo de extensão. Substitua-o se estiver danificado ou apresentar defeitos. No caso de se usar uma bobina, desenrole o cabo todo.

Funções

1. Interruptor de ligar/desligar
2. Botão de travamento
3. Interruptor
4. Manípulo superior
5. Manípulo inferior
6. Caixa colectora da relva
7. Tapa do motor
8. Rodas

Montagem

Advertência! Antes da montagem, certifique-se de que o aparelho está desligado e desconectado da rede eléctrica.

Montagem do manípulo (fig. A)

- ◆ Encaixe a parte do manípulo inferior (5) no manípulo superior (4) utilizando os botões (9), as anilhas (10) e os parafusos (11) como ilustrado.

Colocação do manípulo (fig. B)

- ◆ Insira as extremidades do manípulo inferior (5) nos respectivos orifícios (12) do corta-relva.
- ◆ Pressione o manípulo até onde for possível.
- ◆ Fixe o manípulo com ajuda dos parafusos (13).

Fixação do cabo (fig. C)

O cabo de alimentação eléctrica tem de ser fixo utilizando os retentores do cabo.

- ◆ Coloque um retentor (14) no cabo que liga a caixa de conexões ao motor. Fixe o retentor no manípulo inferior (5).
- ◆ Coloque o outro retentor (14) no cabo que liga a caixa de conexões à ficha de corrente. Fixe o retentor no manípulo superior (4).

Advertência! Certifique-se de que o cabo está fixo com o respectivo retentor antes de ligar a ficha à tomada de rede.

Colocação da caixa colectora da relva (fig. D)

- ◆ Levante a patilha (15) e coloque a caixa colectora da relva por cima das linguetas (16).

Utilização

Advertência! Deixe que o aparelho funcione à vontade.

Não o sobrecarregue.

Ajuste da altura de corte (fig. E)

A altura do corte é ajustada através da mudança da altura das rodas.

Advertência! Desligue o aparelho da corrente e espere até que a lâmina pare de rodar antes de prosseguir.

- ◆ Solte as rodas (8) rodando-as para fora da posição de bloqueadas.
- ◆ Coloque as rodas na altura desejada.
- ◆ Rode as rodas até à posição de bloqueadas, certificando-se de que todas as rodas estão colocadas à mesma altura.

Como ligar e desligar a ferramenta

Como ligar o aparelho

- ◆ Segure no manípulo com ambas as mãos e incline-o ligeiramente para baixo para levantar a parte da frente do aparelho.
- ◆ Mantenha o botão de travamento (2) para baixo e puxe o interruptor de ligar/desligar (1) na sua direcção.
- ◆ Solte o botão de travamento.
- ◆ Deixe o aparelho voltar à sua posição de funcionamento.

Como desligar o aparelho

- ◆ Para desligar o aparelho, solte o interruptor de ligar/desligar.

Advertência! Nunca tente bloquear o interruptor na posição de ligado.

Cortar relva (fig. F & G)

Recomendamos que utilize este aparelho de cortar relva tal como descrito nesta secção para obter melhores resultados e para diminuir o risco de corte do cabo de alimentação eléctrica.

- ◆ Coloque o enrolador do cabo de alimentação eléctrica no relavado, perto do ponto de partida (posição 1 na fig. F).
- ◆ Ligue o aparelho como acima descrito.
- ◆ Proceda como mostrado na fig. F.
 - ◆ Mova da posição 1 para a posição 2.
 - ◆ Vire para a direita e siga para a posição 3.
 - ◆ Vire para a esquerda e siga para a posição 4.
- ◆ Repita o procedimento acima como necessário.

Advertência! Não trabalhe em direcção ao cabo como mostrado na fig. G.

Esvaziar a caixa colectora da relva

- ◆ Quando vir relva solta a dispersar-se por baixo do aparelho, esvazie a caixa colectora da relva.

Advertência! Nunca utilize o aparelho sem a caixa colectora de relva.

Sugestões para uma melhor utilização

- ◆ Se a relva tiver mais do que 10 cm, faça dois cortes para obter um melhor acabamento. Primeiro corte à altura máxima de corte, depois utilize uma altura de corte baixa ou média.
- ◆ Para obter óptimos resultados, corte apenas relva seca.

Manutenção

Este aparelho Black & Decker foi desenvolvido para funcionar por um longo período, com um mínimo de manutenção.

O funcionamento contínuo e satisfatório depende da limpeza regular e cuidado adequado do aparelho.

- ◆ Mantenha o aparelho limpo e seco.
- ◆ Limpe regularmente as ranhuras de ventilação com um pincel limpo e seco.
- ◆ Utilize regularmente uma espátula sem corte para remover relva e a sujidade do aparelho.
- ◆ Para limpar o aparelho, utilize apenas um pano embebido em sabão suave. Evite a entrada de qualquer líquido dentro da ferramenta e nunca coloque qualquer peça da ferramenta debaixo de qualquer líquido. Não utilize nenhum detergente abrasivo nem à base de solvente.

Manutenção da lâmina

- ◆ Retire regularmente a relva e a sujidade da lâmina.
- ◆ No início da época de jardinagem, verifique cuidadosamente o estado da lâmina.
- ◆ Caso a lâmina esteja muito romba, deverá afiá-la ou substituí-la.
- ◆ Caso a lâmina esteja danificada ou gasta, coloque uma nova como abaixo descrito.

Substituição da lâmina (fig. H)

Poderá obter lâminas para substituição através de seu revendedor Black & Decker.

- GR389: n.º de cat. A6389

Advertência! Tenha atenção às seguintes precauções:

- ◆ Desligue o aparelho da corrente e espere até que a lâmina pare de rodar antes de prosseguir.
- ◆ Tome cuidado para não se cortar. Utilize luvas para trabalhos pesados ou um pano para agarrar na lâmina.
- ◆ Utilize apenas a lâmina de substituição especificada.
- ◆ Não retire o impulsor (17) seja qual for a razão.

Para voltar a colocar a lâmina:

- ◆ Vire o aparelho de lado.
- ◆ Segure na lâmina (18) com uma mão.
- ◆ Utilize a chave fornecida para desapertar e remover a porca da lâmina (19).
- ◆ Volte a colocar a lâmina.
- ◆ Volte a colocar a anilha (se colocada antes) e a porca.
- ◆ Aperte bem a porca da lâmina.

Resolução de problemas

Se o seu aparelho não estiver a funcionar adequadamente, siga as instruções abaixo. Caso o problema não seja resolvido dessa maneira, entre em contacto com um técnico autorizado da Black & Decker.

Advertência! Antes de continuar, remova a ficha da tomada de corrente.

O motor trabalha mas a lâmina não se move

- ◆ Remova cuidadosamente quaisquer obstruções da lâmina.

Nenhum barulho e a lâmina não se move

- ◆ Verifique se os cabos de alimentação estão correctamente conectados.
- ◆ Verifique os fusíveis.

Protecção do meio ambiente



Recolha em separado. Não deve deitar este produto fora juntamente com o lixo doméstico normal.

Caso chegue o momento em que um dos seus produtos Black & Decker precise de ser substituído ou decida desfazer-se do mesmo, não o deite fora juntamente com o lixo doméstico. Torne este produto disponível para uma recolha em separado.



A recolha em separado de produtos e embalagens utilizados permite que os materiais sejam reciclados e reutilizados. A reutilização de materiais reciclados ajuda a evitar a poluição ambiental e a reduzir a procura de matérias-primas.

Os regulamentos locais poderão providenciar a recolha em separado de produtos eléctricos junto das casas, em lixeiras municipais ou junto dos fornecedores ao adquirir um novo produto.

A Black & Decker oferece um serviço de recolha e reciclagem de produtos Black & Decker que tenham atingido o fim das suas vidas úteis. Para tirar proveito deste serviço, devolva o seu produto a qualquer técnico autorizado, que se encarregará de recolher o equipamento em nosso nome.

Para verificar a localização do técnico autorizado mais próximo de si, contacte o escritório local da Black & Decker no endereço indicado neste manual. Se preferir, consulte a lista de técnicos autorizados da Black & Decker e os dados completos dos nossos serviços de atendimento pós-venda na Internet no endereço: www.2helpU.com

Dados técnicos

	GR 369 LM382	GR383	GR384 GR389
Voltagem	V 230	230	230
Potência	W 1.200	1.300	1.400
Velocidade sem carga	min ⁻¹ 2.700	2.700	2.700
Comprimento da lâmina	mm 380	380	380
Peso	kg 14,5	14,5	14,5

Declaração de conformidade CE

GR369, GR383, GR384, GR389, LM382

A Black & Decker declara que estes produtos estão em conformidade com a:

98/37/CEE, 89/336/CEE, 73/23/CEE, EN 55014, EN 60335, EN 61000, 2000/14/EC,

Cortador de relva, L ≤ 50 cm, Anexo VI, N.º 499
SNCH, L-5230 Sandweiler, Luxembourg

L_{pA} (pressão acústica) 75 dB(A), L_{WA} (potência acústica) 88 dB(A), L_{WA} (com garantia) 96 dB(A), vibração medida da mão/braço de 1,5 m/s²



Kevin Hewitt
Diretor de Engenharia do Consumo
Spennymoor, County Durham DL16 6JG,
Reino Unido
1-8-2004

Garantia

A Black & Decker confia na qualidade de seus produtos e oferece um programa de garantia excelente. Esta declaração de garantia soma-se aos seus direitos legais e não os prejudica em nenhum aspecto. A garantia será válida nos territórios dos Estados Membros da União Europeia e na Área de Livre Comércio da Europa.

Caso algum produto da Black & Decker apresente avarias devido a defeitos de material, mão-de-obra ou ausência de conformidade no prazo de 24 meses a partir da data de compra, a Black & Decker garantirá a substituição das peças defeituosas, a reparação dos produtos que foram submetidos a uso adequado e remoção ou substituição dos mesmos para assegurar o mínimo de inconvenientes ao cliente a menos que:

- ◆ O produto tenha sido utilizado para fins comerciais, profissionais ou aluguer;
- ◆ O produto tenha sido submetido a uso incorrecto ou descuido;
- ◆ O produto tenha sofrido danos causados por objectos estranhos, substâncias ou acidentes;
- ◆ Tenha um histórico de reparações efectuadas por terceiros que não sejam os agentes autorizados ou profissionais de manutenção da Black & Decker.

Para activar a garantia, será necessário enviar a prova de compra ao revendedor ou agente de reparação autorizado. Para verificar a localização do agente de reparação mais próximo de si contacte o escritório local da Black & Decker no endereço indicado neste manual. Se preferir, consulte a lista de agentes autorizados da Black & Decker e os dados completos de nossos serviços de atendimento pós-venda na Internet no endereço: **www.2helpU.com**

Visite o nosso website **www.blackanddecker.com** para registar o seu novo produto Black & Decker e para se manter actualizado sobre novos produtos e ofertas especiais. Estão disponíveis mais informações sobre a Black & Decker e sobre a nossa gama de produtos em **www.blackanddecker.com**

Användningsområde

Din Black & Decker gräsklippare är avsedd för gräsklippning. Verktyget är endast avsett som konsumentverktyg.

Säkerhetsanvisningar

- ◆ **Varning!** När man använder verktyg som drivs med nätel är det viktigt att bl.a. följa nedanstående säkerhetsanvisningar för att minska risken för brand, elektriska stötar och personskador.
- ◆ Läs hela bruksanvisningen noggrant innan du använder verktyget.
- ◆ Var säker på att du vet hur man stänger av verktyget vid en nödsituation innan du börjar använda det.
- ◆ Behåll bruksanvisningen för framtida bruk.

Träning

- ◆ Läs anvisningarna noggrant. Bekanta dig med reglagen och hur verktyget ska användas.
- ◆ Låt aldrig barn, eller personer som inte har läst denna bruksanvisning, använda verktyget. Lokala bestämmelser kan föreskriva en åldersgräns för bruk.
- ◆ Använd aldrig verktyget när människor, i synnerhet barn, eller djur är i närheten.
- ◆ Tänk på att användaren är ansvarig för skada eller risker för annan person eller annans egendom.

Förberedelser

- ◆ Skydda fötterna genom att bära rejäla skor eller stövlar. Gå aldrig barfota eller i öppna sandaler när du använder verktyget. Skydda benen genom att bära långbyxor.
- ◆ Använd skyddsglasögon under arbetet med verktyget. Bär ansiktsmask eller dammskydd om verktyget används i en dammig omgivning. Om bullernivån är besvärande ska alltid hörselskydd användas.
- ◆ Eliminera risken för elektriska stötar. Undvik kontakt mellan kroppen och jordade ytor (t.ex. metallräcken, lyktstolpar m.m.).
- ◆ Syna verktyget före bruk och kontrollera att kniven, knivmuttern och klippmodulen inte är slitna eller skadade. Kontrollera att knivmuttern är ordentligt åtdragen.
- ◆ Kontrollera innan du börjar arbeta att arbetsområdet är fritt från pinnar, stenar, ståltråd och andra föremål.

Användning

- ◆ Använd aldrig verktyget om skydd eller skärmar är skadade, eller om säkerhetsanordningar såsom skärmar och/eller gräsfångare saknas.
- ◆ Använd verktyget endast vid dagsljus eller i god belysning.
- ◆ Utsätt inte verktyget för regn. Använd inte verktyget under fuktiga eller våta förhållanden. Använd helst inte verktyget i vått gräs.
- ◆ Se till att du står stadigt, särskilt i slutningar.

Tänk på att nyklippt gräs är fuktigt och halt. Arbeta inte i branta slutningar.

- ◆ Arbeta i sidled i slutningar – aldrig uppåt och nedåt. Var mycket försiktig när du ändrar riktning i en slutning.
- ◆ Gå när du använder verktyget, spring aldrig. Drag aldrig verktyget mot dig, eller gå baklänges under klippningen.
- ◆ Starta verktyget enligt anvisningarna och med fötterna väl undan från kniven.
- ◆ Luta inte verktyget när det sätts på, utom om det måste lutas för att kunna starta. Luta det i så fall endast så mycket som är nödvändigt och lyft endast den del som är riktad bort från dig. Se alltid till att du håller båda händerna stadigt på handtaget innan du sätter tillbaka verktyget på marken.
- ◆ Stäng av verktyget och vänta tills kniven har stannat helt om verktyget måste lutas för att transporteras över en annan yta än gräs, och vid transport till och från platsen som ska klippas.
- ◆ Lyft eller bär aldrig verktyget förrän kniven har stannat helt.
- ◆ Ha händer och fötter på säkert avstånd från kniven. Placera aldrig dina händer eller fötter nära eller under roterande delar.
- ◆ Håll dig hela tiden undan från utkastöppningar.
- ◆ Stäng av verktyget, drag ut kontakten och vänta tills de roterande delarna har stannat helt innan du lämnar verktyget utan tillsyn, eller innan du börjar byta ut, rengöra eller kontrollera någon del av verktyget eller avlägsnar ett hinderande föremål. Om verktyget skulle börja vibrera mer än normalt, eller om du stöter i ett föremål, ska verktyget stängas av och kontakten dras ur. Kontrollera att verktyget är oskadat.
- ◆ Var noga med att hålla sladden undan från kniven. Håll alltid reda på var sladden finns.
- ◆ Motorn stannar först några sekunder efter det att verktyget har stängts av. Försök aldrig tvinga kniven att stanna.

Underhåll och förvaring

- ◆ Syna verktyget före bruk på skador eller defekta delar. Kontrollera på felriktade eller fastnade rörliga delar, brustna delar, skadade skydd eller omkopplare och alla andra förhållanden som kan påverka verktygets funktion. Kontrollera att verktyget fungerar ordentligt och att det kan utföra sin avsedda funktion. Använd aldrig verktyget om skydd eller kåpor är skadade eller saknas. Använd inte verktyget om någon del är skadad eller defekt. Använd inte verktyget om det inte kan kopplas till och från med strömbrytaren. Om fel uppstår ska delarna repareras eller bytas ut av en auktoriserad Black & Decker serviceverkstad.
- ◆ Kontrollera med tåta mellanrum att sladden inte är skadad. Om sladden är skadad måste den bytas ut av en auktoriserad servicetekniker för att undvika risker.

Kontrollera förlängningsladdarna regelbundet. En skadad förlängningsladd måste genast bytas ut.

- ◆ Håll alla bultar, muttrar och skruvar väl åtdragna så att de är i säkert bruksskick.
- ◆ Kontrollera om gräsupsamlaren är sliten eller skadad och byt ut den om det behövs. Använd aldrig gräsklipparen utan gräsupsamlare.
- ◆ När verktyget inte används ska det förvaras torrt. Se till att barn inte har tillgång till verktyget.
- ◆ Se vid byte av skärverktyg alltid till att du använder delar av samma typ.
- ◆ Använd endast reservdelar och tillbehör som rekommenderas av Black & Decker.

Varningssymboler

Följande varningssymboler återfinns på verktyget:



Läs bruksanvisningen innan du använder verktyget.



Utsätt inte verktyget för regn eller hög luftfuktighet.



Drag ut kontakten ur vägguttaget om nätsladden är skadad.



Håll omstående undan.



Drag ut kontakten ur vägguttaget före inställningar, service eller underhåll.



Akta dig för vassa kanter.



Håll kabeln undan från skärbladen.

Säkerhet i elsystemet

Verktyget måste alltid först stängas av innan du kopplar ur en stickkontakt eller förlängningsladd.

Dubbelisolering



Verktyget är dubbelisolerat enligt EN 60335; alltså krävs ingen jordledare. Kontrollera alltid att nätspänningen överensstämmer med värdet på märkplåten.

Elsäkerheten kan förbättras ytterligare genom att använda en jordfelsbrytare med hög känslighet (30 mA).

Bruk med förlängningsladd

Använd alltid en godkänd förlängningsladd som är lämpad för verktygets strömförbrukning (se tekniska data).

Förlängningsladderna måste vara lämpad och märkt för utomhusbruk. Upp till 30 m HO5VV-F förlängningsladd, 1,5 mm, kan användas utan att påverka produktens prestanda. Kontrollera före bruk om förlängningsladderna är skadade, sliten eller börjar åldras. Byt ut förlängningsladderna om de är skadade eller trasiga. Vid bruk av en sladdvinda ska alltid hela sladderna lindas av.

Funktioner

1. Strömbrytare
2. Spärknapp
3. Strömbrytarbox
4. Övre handtag
5. Nedre handtag
6. Gräsupsamlare
7. Motorkåpa
8. Hjul

Montering

Varning! Se innan du monterar verktyget till att det är avstängt och inte anslutet till nätet.

Hopsättning av handtaget (fig. A)

- ◆ Montera handtagets nedre del (5) på det övre handtaget (4) med knopparna (9), brickorna (10) och skruvarna (11) enligt bilden.

Montering av handtaget (fig. B)

- ◆ Skjut in handtagets nedre ändar (5) i motsvarande hål (12) i gräsklipparen.
- ◆ Tryck ned handtaget så långt som möjligt.
- ◆ Fäst handtaget med skruvarna (13).

Fastsättning av sladden (fig. C)

Nätsladden måste sättas fast med sladdhållarna.

- ◆ Klicka fast den ena hållaren (14) på kabeln som går från strömbrytarboxen till motorn. Fäst hållaren på det nedre handtaget (5).
- ◆ Klicka fast den andra hållaren (14) på kabeln som går från strömbrytarboxen till nätkontakten. Fäst hållaren på det övre handtaget (4).

Varning! Kontrollera att sladden sitter fast med sladdhållarna innan du sätter kontakten i vägguttaget.

Montering av gräsupsamlare (fig. D)

- ◆ Lyft fliken (15) och placera gräsupsamlaren över nockarna (16).

Användning

Varning! Låt verktyget arbeta i sin egen takt. Överbelasta inte verktyget.

Justering av klipphöjden (fig. E)

Klipphöjden justeras genom att justera hjulens höjd.

Varning! Koppla från verktyget från elnätet och vänta tills kniven har stannat helt innan du fortsätter.

- ◆ Lossa hjulen (8) genom att svänga ut dem ur sitt spärrade läge.
- ◆ Ställ in hjulen på önskad höjd.
- ◆ Sväng tillbaka hjulen till spärrat läge, kontrollera att de står i samma höjd.

Start och stopp

Start

- ◆ Håll handtaget med båda händerna och luta det något nedåt så att verktygets framsida höjs.
- ◆ Håll spärrknappen (2) intryckt och drag strömbrytaren (1) mot dig.
- ◆ Släpp spärrknappen.
- ◆ Ställ tillbaka verktyget i arbetsläget.

Stopp

- ◆ Släpp strömbrytaren för att stänga av verktyget.

Varning! Försök aldrig spärra en strömbrytare i startläge.

Gräsklippning (fig. F & G)

För att erhålla ett optimalt resultat och undvika att klippa av sladden, rekommenderar vi att du använder gräsklipparen enligt beskrivningen i detta avsnitt.

- ◆ Lägg den större delen av sladden på gräsmattan, nära platsen där du ska börja (position 1 i fig. F).
- ◆ Starta verktyget enligt beskrivningen ovan.
- ◆ Fortsätt som i fig. F.
 - ◆ Gå från position 1 till position 2.
 - ◆ Vänd åt höger och fortsätt mot position 3.
 - ◆ Vänd åt vänster och gå mot position 4.
- ◆ Upprepa detta så många gånger som behövs.

Varning! Arbeta aldrig mot sladden, som i fig. G.

Tömning av gräsupsamlaren

- ◆ Töm gräsupsamlaren när du ser löst gräs spridas under gräsklipparen.

Varning! Använd aldrig gräsklipparen utan gräsupsamlare.

Råd för bästa resultat

- ◆ Om gräset är längre än ca 10 cm bör man klippa två gånger för att få bästa resultat. Klipp först med max. klipphöjd och använd sedan det låga eller mellanläget.
- ◆ För ett optimalt resultat bör du endast klippa torrt gräs.

Underhåll

Detta Black & Decker-verktyg har tillverkats för att fungera under lång tid med minimalt underhåll. Med rätt underhåll och regelbunden rengöring behåller verktyget sina prestanda.

- ◆ Håll verktyget rent och torrt.
- ◆ Rengör luftspringorna regelbundet med en ren och torr målarpensel.
- ◆ Avlägsna regelbundet gräs och smuts från verktyget med en trubbig skrapa.
- ◆ Använd endast milda rengöringsmedel och en fuktig trasa för att rengöra verktyget. Låt aldrig vätska komma in i verktyget och låt verktyget (eller någon del) aldrig hamna i någon vätska. Använd aldrig rengöringsmedel med lösnings- eller slipmedel.

Knivens skötsel

- ◆ Avlägsna regelbundet gräs och smuts från kniven.
- ◆ Kontrollera noggrant knivens skick vid början av trädgårdssäsongen.
- ◆ Om kniven är mycket slö, bör den slipas eller bytas ut.
- ◆ Byt ut kniven enligt nedanstående beskrivning om den är skadad eller utsliten.

Byte av kniven (fig. H)

En ny kniv finns hos din Black & Decker återförsäljare.

- GR389: kat. nr. A6389

Varning! Vidtag följande säkerhetsåtgärder:

- ◆ Koppla från verktyget från elnätet och vänta tills kniven har stannat helt innan du fortsätter.
- ◆ Var försiktig så att du inte skär dig. Använd kraftiga handskar eller en bit tyg för att gripa kniven.
- ◆ Använd endast den angivna utbyteskniven.
- ◆ Avlägsna aldrig drivhjulet (17) av någon orsak.

För att byta kniv:

- ◆ Lägg verktyget på sidan.
- ◆ Greppa kniven (18) med ena handen.
- ◆ Använd den bifogade skruvnyckeln till att lossa och avlägsna knivmuttern (19).
- ◆ Byt ut kniven.
- ◆ Sätt tillbaka brickan (om befintlig) och muttern.
- ◆ Drag åt knivmuttern ordentligt.

Felsökning

Följ nedanstående anvisningar om verktyget inte fungerar ordentligt. Kontakta din auktoriserade Black & Decker serviceverkstad om du inte själv kan lösa problemet.

Varning! Drag ut kontakten ur vägguttaget innan du fortsätter.

Motorn låter och är igång men kniven rör sig inte

- ♦ Tag försiktigt bort allt som kan hindra knivens rotation.

Inget hörs och kniven rör sig inte

- ♦ Se till att sladden är korrekt ansluten.
- ♦ Kontrollera elnätets säkringar.

Miljöskydd



Särskild insamling. Denna produkt får inte kastas bland vanliga hushållssopor.

Om du någon gång i framtiden behöver ersätta din Black & Decker-produkt med en ny, eller inte längre behöver den, ska du inte kasta den i hushållssoporna. Denna produkt skall lämnas till särskild insamling.



Efter insamling av använda produkter och förpackningsmaterial kan materialen återvinnas och användas på nytt. Användning av återvunna material skonar miljön och minskar förbrukningen av råvaror.

Enligt lokal lagstiftning kan det förekomma särskilda insamlingar av uttjänt elutrustning från hushåll, antingen vid kommunala miljöstationer eller hos detaljhandlaren när du köper en ny produkt.

Black & Decker erbjuder en insamlings- och återvinningstjänst för Black & Decker-produkter när de en gång har tjänat ut. För att använda den här tjänsten lämnar du in produkten till en auktoriserad B & D –reparatör/representant som tar hand om den för din räkning.

Närmaste auktoriserade Black & Decker-representant finner du genom det lokala Black & Decker-kontoret på adressen i den här manualen. Annars kan du söka på Internet, på listan över auktoriserade Black & Decker-representanter och alla uppgifter om vår kundservice och andra kontakter.

www.2helpU.com

Tekniska data

	GR 369	GR383	GR384
	LM382		GR389
Spänning	V 230	230	230
Ineffekt	W 1.200	1.300	1.400
Obelastad hastighet	min ⁻¹ 2.700	2.700	2.700
Knivlängd	mm 380	380	380
Vikt	kg 14,5	14,5	14,5

EC-förklaring om överensstämmelse

GR369, GR383, GR384, GR389, LM382

Black & Decker förklarar att dessa produkter överensstämmer med:

98/37/EEG, 89/336/EEG, 73/23/EEG, EN 55014, EN 60335, EN 61000, 2000/14/EEG,

Gräsklippare, L ≤ 50 cm, bilaga VI, nr 499
SNCH, L-5230 Sandweiler, Luxemborg

L_{pA} (bullertryck) 75 dB(A), L_{WA} (akustisk effekt) 88 dB(A),
 L_{WA} (garanterad) 96 dB(A), vägt geometriskt vibrationsvärde
hand/arm 1,5 m/s²

Kevin Hewitt
Director of Consumer Engineering
Spennymoor, County Durham DL16 6JG,
Storbritannien
1-8-2004

Reservdelar / reparationer

Reservdelar finns att köpa hos auktoriserade Black & Decker verkstäder, som även ger kostnadsförslag och reparerar våra produkter.

Förteckning över våra auktoriserade verkstäder finns på Internet, vår hemsida **www.blackanddecker.se** samt **www.2helpU.com**

Garanti

Black & Decker garanterar att produkten är fri från material- och/eller fabrikationsfel vid leverans till kund. Garantin är i tillägg till konsumentens lagliga rättigheter och påverkar inte dessa. Garantin gäller inom medlemsstaterna i Europeiska Unionen och i det Europeiska Frihandelsområdet.

Om en Black & Decker produkt går sönder på grund av material- och/eller fabrikationsfel eller brister i överensstämmelse med specifikationen, inom 24 månader från köpet, åtar sig Black & Decker att reparera eller byta ut produkten med minsta besvär för kunden.

Garantin gäller inte för fel som beror på:

- ◆ normalt slitage
- ◆ felaktig användning eller skötsel
- ◆ att produkten skadats av främmande föremål, ämnen eller genom olyckshändelse

Garantin gäller inte om reparation har utförts av någon annan än en auktoriserad Black & Decker verkstad.

För att utnyttja garantin skall produkten och inköpskvittot lämnas till återförsäljaren eller till en auktoriserad verkstad senast 2 månader efter det att felet har upptäckts.

För information om närmaste auktoriserad verkstad; kontakta det lokala Black & Decker kontoret på den adress som är angiven i bruksanvisningen. En lista på alla auktoriserade verkstäder samt servicevillkor finns även tillgängligt på Internet, adress: **www.2helpU.com**

Besök vår webbplats **www.blackanddecker.se** för att registrera din nya Black & Decker-produkt samt för att erhålla information om nya produkter och specialerbjudanden.

Vidare information om märket Black & Decker och vårt produktsortiment kan återfinnas på

www.blackanddecker.se

Bruksområder

Din Black & Decker gressklipper er utformet og produsert for gressklipping.

Verktøyet er tiltenkt kun som konsumentverktøy.

Sikkerhetsinstruksjoner

- ◆ **Advarsel!** Ved bruk av elektroverktøy må du alltid følge en del grunnleggende sikkerhetsregler, inkludert følgende, for å redusere faren for brann, elektrisk støt og personskade.
- ◆ Les hele bruksanvisningen før du begynner å bruke verktøyet.
- ◆ Vær sikker på at du vet hvordan man slår av verktøyet i et nødstilfelle før du begynner å bruke det.
- ◆ Ta vare på denne bruksanvisningen for fremtidig bruk.

Opplæring

- ◆ Les instruksjonene nøye. Gjør deg kjent med funksjonene og riktig bruk av verktøyet.
- ◆ La aldri barn eller personer som ikke har lest denne bruksanvisningen benytte verktøyet. Det er mulig at lokale bestemmelser fastsetter en nedre aldersgrense for brukeren.
- ◆ Ikke bruk verktøyet mens andre mennesker, særlig barn, eller kjæledyr er i nærheten.
- ◆ Husk at brukeren vil holdes ansvarlig for ulykker eller skader som rammer andre mennesker eller deres eiendeler.

Klargjøring

- ◆ Bruk solide sko eller støvler, slik at du beskytter føttene. Ikke bruk sandaler eller gå barfoot når du bruker verktøyet. Beskytt bena ved å bruke langbukser.
- ◆ Ha på deg vernebriller når du bruker dette verktøyet. Bruk en ansiktsmaske eller støvmaske når apparatet brukes i støvete omgivelser. Bruk alltid hørselsvern ved ukomfortable støynivåer.
- ◆ Vern mot elektrisk støt Unngå hudkontakt med jordede overflater (f.eks. metallrekkverk, lyktestolper osv.).
- ◆ Før du bruker verktøyet må du kontrollere at kniven, knivmutteren og klippeenheten ikke er slitt eller skadet. Sjekk at knivmutteren er strammet godt.
- ◆ Før bruk må du sjekke at arbeidsområdet er fritt for kvister, steiner, ståltråder og andre gjenstander.

Drift

- ◆ Verktøyet må aldri brukes med defekte vern eller skjold, eller uten at sikkerhetsinnretningene, for eksempel deflektorer og/eller gressoppsamlere, er installert.
- ◆ Bruk bare verktøyet i dagslys eller med bra belysning.
- ◆ Ikke utsett verktøyet for regn. Ikke bruk verktøyet i fuktig eller våte omgivelser. Verktøyet skal helst ikke brukes i vått gress.
- ◆ Pass på at du har godt fotfeste, særlig i skråninger. Husk at nyklipt gress er fuktig og glatt. Ikke arbeid i bratte skråninger.

- ◆ Klipp på tvers av skråninger, aldri opp- eller nedover. Vær ekstremt forsiktig når du endrer retning i skråninger.
- ◆ Ikke løp, men gå når du bruker verktøyet. Ikke trekk verktøyet mot deg eller gå bakover.
- ◆ Slå på verktøyet i samsvar med instruksjonene og med føttene i god avstand fra bladet.
- ◆ Ikke hold verktøyet skrått når du slår det på, unntatt hvis det må skråstilles for at det skal kunne startes. I så fall må du ikke skråstille det mer enn absolutt nødvendig, og bare løfte opp den delen som vender bort fra brukeren. Du må alltid forvise deg om at begge hender er i driftsstilling før du setter verktøyet ned på bakken igjen.
- ◆ Hvis verktøyet må skråstilles for å transporteres over ikke-gressklede flater, må du først slå det av og vente til kniven har sluttet å rotere. Det samme gjelder ved transport av verktøyet til og fra det området som skal klippes.
- ◆ Ikke løft eller bær verktøyet før kniven har stoppet helt.
- ◆ Hold hender og føtter unna kniven. Pass på at ikke hender eller føtter kommer i nærheten av eller under bevegelige deler.
- ◆ Hold alltid avstand til utkasteråpningene.
- ◆ Slå av verktøyet, trekk ut støpslet og kontroller at bevegelige deler har stanset før du går fra verktøyet, bytter, rengjør eller kontrollerer noen av delene på verktøyet, eller fjerner noe som har satt seg fast. Hvis verktøyet begynner å vibrere på en unormal måte, eller du treffer et fremmedlegeme, må du slå av verktøyet og trekke støpslet ut av kontakten. Kontroller verktøyet for eventuell skade.
- ◆ Pass på at ledningen holdes i god avstand fra kniven.
- ◆ Pass på at du alltid vet hvor ledningen er.
- ◆ Motoren fortsetter å gå i et par sekunder etter at verktøyet er slått av. Prøv aldri å tvinge kniven til å stoppe.

Vedlikehold og oppbevaring

- ◆ Før bruk må du kontrollere apparatet for skader eller defekte deler. Kontroller for feiljustering eller om de bevegelige delene har satt seg fast, at ingen deler er ødelagt, at vern og brytere er uten skader, og at det ikke foreligger noen andre feil som kan påvirke verktøets funksjon. Kontroller at verktøyet fungerer som det skal, og utfører beregnet funksjon. Bruk aldri verktøyet hvis beskyttelsesinnretningene er skadet eller ikke er på plass. Bruk aldri apparatet hvis noen av delene er skadet eller defekte. Ikke bruk verktøyet hvis det ikke er mulig å slå det på og av med strømbryteren. Ved skade eller feil må delene repareres eller byttes ut av et autorisert serviceverksted.
- ◆ Kontroller ledningen hyppig for skade. Hvis strømledningen er skadet, må den byttes ut av en autorisert reparasjonstekniker for å unngå enhver risiko.

Foreta en kontroll av skjøteledninger med jevne mellomrom. Ødelagte skjøteledninger må skiftes ut omgående.

- ◆ Hold alle muttere og skruer på verktøyet stramme av hensyn til sikkerheten.
- ◆ Sjekk gressoppsamlere for slitasje eller skade, og bytt om nødvendig. Du må aldri bruke verktøyet uten gressoppsamler.
- ◆ Når apparatet ikke er i bruk, må det oppbevares på et tørt sted. Apparatet skal oppbevares utilgjengelig for barn.
- ◆ Forviss deg om at det bare brukes reservedeler av riktig type.
- ◆ Bruk bare reservedeler og tilbehør fra Black & Decker.

Symboler

Du finner følgende varselssymboler på verktøyet:



Les bruksanvisningen før du bruker verktøyet.



Ikke utsett verktøyet for regn eller miljøer med høy fuktighet.



Trekk pluggen ut av kontakten hvis strømledningen er skadet.



Hold andre personer på avstand.



Trekk støpslet ut av kontakten før du utfører justeringer, service eller vedlikehold.



Se opp for skarpe kanter.



Hold ledningen unna knivene.

Elektrisk sikkerhet

Strømforsyningen til verktøyet må alltid være brutt før du kobler fra pluggen, støpsler eller skjøteledninger.

Dobbeltisolering



Verktøyet er dobbeltisolert i samsvar med EN 60335. Jordet ledning er derfor ikke nødvendig. Kontroller alltid at nettspenningen er i overensstemmelse med spenningen på typeskiltet.

Strømsikkerheten kan forbedres ytterligere ved bruk av jordfeilbryter med høy følsomhet (30 mA).

Bruk med skjøteledning

Bruk en godkjent skjøteledning som er egnet for dette verktøyet kraftbehov (se tekniske data). Bruk kun skjøteledning som er tillatt for utendørs bruk og merket for dette.

Skjøteledning på opptil 30 m, 1,5 mm H05VV-F, kan brukes uten redusert ytelse. Før bruk må du kontrollere at skjøteledningen ikke er skadet eller slitt. Skift ut skjøteledningen hvis den er skadet. Hvis du bruker en kabeltrommel, må du alltid vikle ut hele ledningen.

Funksjoner

1. Strømbryter
2. Låseknapp
3. Bryterboks
4. Øvre håndtak
5. Nedre håndtak
6. Gressoppsamler
7. Motordeksel
8. Hjul

Montering

Advarsel! Før monteringen må du passe på at apparatet er slått av, og at støpslet er trukket ut av kontakten.

Montere håndtaket (fig. A)

- ◆ Sett den nedre delen av håndtaket (5) på øvre håndtak (4) ved hjelp av knottene (9), skivene (10) og skruene (11), som vist.

Montere håndtaket (fig. B)

- ◆ Sett endene av nedre håndtak (5) i tilhørende hull (12) i gressklipperen.
- ◆ Trykk håndtaket så langt ned det går.
- ◆ Fest håndtaket ved hjelp av skruene (13).

Feste kabelen (fig. C)

Strømledningen må festes med kabelholdere.

- ◆ Sett den ene kabelholderen (14) på ledningen som går fra strømbryterboksen til motoren. Fest kabelholderen til det nedre håndtaket (5).
- ◆ Sett den andre kabelholderen (14) på ledningen som går fra strømbryterboksen til strømuttaket. Fest kabelholderen til det øvre håndtaket (4).

Advarsel! Pass på at kabelen festes med kabelholderen før du setter støpslet i kontakten.

Montere gressposen (fig. D)

- ◆ Løft klaffen (15) og sett gressoppsamlere over tappene (16).

Bruk

Advarsel! La apparatet jobbe med sin egen hastighet. Ikke overbelast det.

Justere klippehøyden (fig. E)

Klippehøyden justeres ved å endre høyde på hjulene.

Advarsel! Kople verktøyet fra strømtilførselen og vent til kniven har stanset før du går videre.

- ◆ Utløs hjulene (8) ved å dreie dem ut av låst posisjon.
- ◆ Still hjulene til ønsket høydeinnstilling.
- ◆ Drei hjulene tilbake til låst posisjon. Kontroller at alle hjulene er still til samme høyde.

Start og stopp

Slå på

- ◆ Hold med begge hender i håndtaket, og vipp det litt nedover, slik at forsiden av verktøyet løftes.
- ◆ Hold låseknappen (2) nede, og trekk strømbryteren (1) mot deg.
- ◆ Slipp låseknappen.
- ◆ Sett verktøyet tilbake i driftsposisjon.

Slå av

- ◆ Slipp strømbryteren for å slå verktøyet av.

Advarsel! Prøv aldri å låse en strømbryter i startstilling.

Gressklipping (fig. F & G)

Vi anbefaler at du bruker gressklipperen som forklart i denne delen for å oppnå optimale resultater og redusere risikoen for å klippe over strømledningen.

- ◆ Legg mesteparten av strømledningen på plenen, like ved startpunktet (posisjon 1 i fig. F).
- ◆ Slå på verktøyet, som forklart ovenfor.
- ◆ Fortsett som vist i fig. F.
 - ◆ Gå fra posisjon 1 til posisjon 2.
 - ◆ Snu mot høyre, og gå videre til posisjon 3.
 - ◆ Snu mot venstre, og gå videre til posisjon 4.
- ◆ Gjenta fremgangsmåten ovenfor som nødvendig.

Advarsel! Ikke gå mot ledningen, som vist i fig. G.

Tømme gressoppsamleren

- ◆ Når du ser at det kommer løst gress under klipperen, er det på tide å tømme gressoppsamleren.

Advarsel! Du må aldri bruke verktøyet uten gressoppsamler.

Råd for optimalt resultat

- ◆ Hvis gresset er lengre enn omtrent 10 cm, bør du klippe det i to omganger. Klipp først med maksimal klippehøyde. Bruk deretter lav eller middels klippehøyde.

- ◆ Du oppnår optimale klipperesultater hvis du klipper gresset kun når det er tørt.

Vedlikehold

Dette Black & Decker-apparat er konstruert for å være i drift over en lang periode med et minimum av vedlikehold.

Med riktig vedlikehold og regelmessig rengjøring beholder apparatet ytelsen.

- ◆ Hold apparatet rent og tørt.
- ◆ Rengjør ventilasjonsåpningene regelmessig med en ren, tørr malerkost.
- ◆ Bruk en butt skrape til å fjerne gress og smuss fra verktøyet.
- ◆ Bruk kun mild såpe og fuktig klut ved rengjøring av verktøyet. Pass på at det ikke kommer væske inn i verktøyet, og ikke dypp noen deler av verktøyet i væske. Ikke bruk slipende eller løsemiddelbaserte rengjøringsmidler.

Vedlikehold av kniven

- ◆ Fjern gress og smuss fra kniven regelmessig.
- ◆ Kontroller tilstanden til kniven i begynnelsen av sommersesongen.
- ◆ Hvis kniven er svært sløvt, må du skjerpe eller bytte den.
- ◆ Hvis kniven er skadet eller slitt, monteres en ny kniv som forklart nedenfor.

Bytte kniven (fig. H)

Nye kniver kan kjøpes hos din Black & Decker forhandler.

- GR389: Kat.-nr. A6389

Advarsel! Følg følgende sikkerhetsregler:

- ◆ Kople verktøyet fra strømtilførselen og vent til kniven har stanset før du går videre.
- ◆ Vær forsiktig så du ikke skjærer deg. Bruk kraftige hansker eller en klut når du tar i kniven.
- ◆ Bruk kun kniv av spesifisert type.
- ◆ Du må aldri fjerne hjulet (17).

Skifte ut kniven:

- ◆ Legg verktøyet over på siden.
- ◆ Ta tak i kniven (18) med den ene hånden.
- ◆ Løsne og fjern knivmutteren (19) ved hjelp av vedlagte skrunøkkel.
- ◆ Bytt kniven.
- ◆ Sett på skiven (om montert tidligere) og mutteren.
- ◆ Stram knivmutteren.

Problemløsning

Hvis verktøyet ikke ser ut til å fungere som det skal, følger du instruksjonene nedenfor. Hvis dette ikke løser problemet, kontakter du et autorisert Black & Decker-serviceverksted.

Advarsel! Før du går videre, må du trekke ut støpselet av kontakten.

Motoren går, men kniven beveger seg ikke

- ◆ Fjern forsiktig alt som kan hindre kniven i å rotere.

Ingen motorlyd, kniven beveger seg ikke

- ◆ Kontroller at strømedningen er riktig tilkoblet.
- ◆ Kontroller strømsikringene.

Miljøvern



Kildesortering. Dette produktet må ikke kastes i det vanlige husholdningsavfallet.

Hvis du finner ut at Black & Decker-produktet ditt må skiftes ut, eller hvis du ikke lenger har bruk for det, må du unnlate å kaste det sammen med det vanlige husholdningsavfallet. Sørg for at dette produktet gjøres tilgjengelig for kildesortering.



Kildesortering av brukte produkter og emballasje gjør det mulig å resirkulere materialer og bruke dem igjen. Gjenbruk av resirkulerte materialer bidrar til å forhindre forspøling av miljøet og reduserer behovet for råmaterialer.

Lokale regelverk kan legge tilrette for kildesortering av elektriske produkter fra husholdningen, ved kommunale deponier eller gjennom forhandleren når du kjøper et nytt produkt.

Black & Decker har tilrettelagt for innsamling og resirkulering av Black & Decker-produkter etter at de har utspilt sin rolle. Ønsker du å benytte deg av denne tjenesten, returnerer du produktet ditt til et autorisert serviceverksted, som tar det imot og formidler det videre.

Du kan få adressen til ditt nærmeste autoriserte serviceverksted ved å kontakte ditt lokale Black & Decker-kontor på adressen oppgitt i denne håndboken. Du kan også finne en komplett liste over autoriserte Black & Decker-serviceverksteder og utfyllende informasjon om vår etter salg-service og kontaktnumre på Internett på følgende adresse:

www.2helpU.com

Tekniske data

		GR 369 LM382	GR383	GR384 GR389
Spenning	V	230	230	230
Inn-effekt	W	1.200	1.300	1.400
Hastighet ubelastet	min ⁻¹	2.700	2.700	2.700
Knivlengde	mm	380	380	380
Vekt	kg	14,5	14,5	14,5

Samsvarserklæring for EU

GR369, GR383, GR384, GR389, LM382

Black & Decker erklærer at disse produktene overholder:
98/37/EØF, 89/336/EØF, 73/23/EØF, EN 55014, EN 60335,
EN 61000, 2000/14/EØF,

Gressklipper, L ≤ 50 cm, bilag VI, nr. 499
SNCH, L-5230 Sandweiler, Luxembourg

L_{TA} (lydtrykk) 75 dB(A), L_{WA} (akustisk effekt) 88 dB(A),
 L_{WA} (garantert) 96 dB(A), hånd/arm-vektet vibrasjon 1,5 m/s²

Kevin Hewitt
Adm. dir. for forbrukerteknikk
Spennymoor, County Durham DL16 6JG,
Storbritannia
1-8-2004

Reservdeler / reparasjoner

Reservdeler kan kjøpes hos autoriserte Black & Decker serviceverksteder, som også gir kostnadsoverslag og reparerer våre produkter.

Oversikt over våre autoriserte serviceverksteder finnes på Internett, vår hjemmeside **www.blackanddecker.no** samt **www.2helpU.com**

Garanti

Black & Decker garanterer at produktet ikke har material- og/eller fabrikkasjonsfeil ved levering til kunde. Garantien er i tillegg til kundens lovlige rettigheter og påvirker ikke disse. Garantien gjelder innen medlemsstatene i den Europeiske Unionen og i det Europeiske Frihandelsområdet.

Hvis et Black & Decker produkt går i stykker på grunn av material- og/eller fabrikkasjonsfeil eller har mangler i forhold til spesifikasjonene, innen 24 måneder fra kjøpet, påtar Black & Decker seg å reparere eller bytte ut produktet med minst mulig vanskelighet for kunden.

Garantien gjelder ikke for feil som kommer av:

- ◆ normal slitasje
- ◆ feilaktig bruk eller vedlikehold (mislighold)
- ◆ at produktet har blitt skadet av fremmede gjenstander, emner eller ved et uhell

Det gjøres oppmerksom på at produktet ikke er beregnet på industriell/profesjonell/yrkesmessig bruk, men til hus- og hjemmebruk.

Garantien gjelder ikke om reparasjoner har blitt utført av noen andre enn et autorisert Black & Decker serviceverksted.

NORSK

For å ta garantien i bruk skal produktet og kjøpekvittring leveres til forhandleren eller til et autorisert serviceverksted senest 2 måneder etter at feilen har blitt oppdaget.

For informasjon om nærmeste autoriserte serviceverksted; kontakt det lokale Black & Decker kontoret på den adressen som er angitt i bruksanvisningen. En oversikt over alle autoriserte serviceverksteder samt servicevilkår finnes også tilgjengelig på Internet, adresse: **www.2helpU.com**

Vennligst stikk innom våre nettsider på

www.blackanddecker.no for å registrere ditt nye Black & Decker-produkt og for å holde deg oppdatert om nye produkter og spesialtilbud. Du finner mer informasjon om Black & Decker og produktutvalget vårt på

www.blackanddecker.no

Anvendelsesområde

Din Black & Decker plæneklipper er beregnet til græsslåning. Værktøjet er kun beregnet til privat brug.

Sikkerhedsinstruktioner

- ◆ **Advarsel!** Ved brug af eldrevet værktøj skal de grundlæggende sikkerhedsforanstaltninger altid følges, således at risikoen for brand, elektrisk stød og personskader begrænses.
- ◆ Læs denne brugsanvisning grundigt igennem, inden maskinen tages i brug.
- ◆ Inden du tager apparatet i brug, skal du sikre dig, at du ved, hvordan det afbrydes i et nødstilfælde.
- ◆ Opbevar denne brugsanvisning til fremtidig brug.

Retningslinier

- ◆ Læs vejledningen omhyggeligt. Vær fortrolig med knapper og funktioner, samt hvordan apparatet bruges korrekt.
- ◆ Tillad ikke, at børn eller personer, der ikke har læst denne brugsanvisning, bruger apparatet. Lokal lovgivning kan begrænse brugerens alder.
- ◆ Lad være med at bruge apparatet, når mennesker, især børn eller dyr, er i nærheden.
- ◆ Husk, at brugeren kan gøres ansvarlig for ulykker eller skader, der påføres andre personer eller deres ejendom.

Forarbejde

- ◆ Bær kraftige sko eller støvler til beskyttelse af fødderne. Man må ikke arbejde med apparatet, når man har åbne sandaler på eller er barfodet. Bær lange bukser til beskyttelse af benene.
- ◆ Bær sikkerhedsbriller, når du arbejder med dette værktøj. Brug en ansigts- eller støvmaske, når arbejdet foregår i støvfylde omgivelser. Brug høreværn, når lydniveauet virker generende.
- ◆ Beskyttelse mod elektrisk stød. Undgå kropskontakt med jorde overflader (f.eks. metalgænder, lygtepæle osv.).
- ◆ Inden maskinen bruges, skal det kontrolleres, at kniven, knivens møtrik og skæreanordningen ikke er slidt eller beskadiget. Kontroller, at knivens møtrik er sikkert fastspændt.
- ◆ Før du benytter maskinen, skal du kontrollere, at græsslåningsområdet er fri for pinde, sten, tråd eller andre genstande.

Betjening

- ◆ Anvend aldrig apparatet, hvis skærme eller skjolde er defekte eller uden at sikkerhedsudstyr, for eksempel deflektorer og/eller græsopsamlere, er på plads.
- ◆ Brug kun apparatet i dagslys eller med god kunstig belysning.
- ◆ Udsæt ikke maskinen for regn. Anvend ikke apparatet under fugtige eller våde forhold.

Brug helst ikke apparatet i vådt græs.

- ◆ Sørg for at have godt fodfæste, især på skrånninger. Vær opmærksom på, at frisk afskåret græs er fugtigt og fedtet. Arbejd ikke på meget stejle skrånninger.
- ◆ Arbejd på tværs af skrånninger, ikke op og ned. Vær yderst forsigtig, når du skifter retning på skrånninger.
- ◆ Gå, når du bruger maskinen, løb aldrig. Træk ikke maskinen mod dig og gå ikke baglæns, når du bruger maskinen.
- ◆ Tænd apparatet ifølge vejledningen og med dine fødder i god afstand fra kniven.
- ◆ Vip ikke apparatet, når du tænder det, undtagen hvis apparatet skal vippes for at starte. Hvis det er tilfældet, skal du ikke vippe apparatet mere end absolut nødvendigt og kun løfte den del, der vender væk fra brugeren. Sørg altid for, at begge hænder er i arbejdsposition, før apparatet igen anbringes på jorden.
- ◆ Sluk for apparatet og vent til kniven er standset, hvis apparatet skal vippes for transport, når andre overflader end græs skal krydses, og når apparatet transporteres til og fra det område, der skal klippes.
- ◆ Man må ikke løfte maskinen, før kniven er fuldstændig i ro.
- ◆ Hold hænder og fødder i en sikker afstand fra kniven. Hold hænder og fødder på afstand af de roterende dele.
- ◆ Hold dig altid på afstand af udløbsåbninger.
- ◆ Sluk maskinen, træk stikket ud af stikkontakten, og forvis dig om, at de bevægelige dele er holdt op med at rotere, før apparatet efterlades uden tilsyn, samt før en eller flere dele skiftes, renses eller efterses. Hvis maskinen begynder at vibrere unormalt, eller hvis du rammer et fremmedobjekt, skal du slukke for maskinen og trække stikket ud af stikkontakten. Kontroller maskinen for eventuelle beskadigelser.
- ◆ Sørg for at holde ledningen væk fra kniven. Vær altid opmærksom på, hvor ledningen er.
- ◆ Kniven fortsætter med at rotere i et par sekunder, efter at der er slukket for apparatet. Man må aldrig tvinge kniven til standsning.

Vedligeholdelse og opbevaring

- ◆ Før brug skal apparatet kontrolleres for skader eller defekte dele. Kontroller de bevægelige dele for skæv indstilling og sammenbrændinger, kontroller for brud på dele, skade på skærme og kontakter samt alt andet, der kan påvirke maskinens funktion. Kontroller, at maskinen fungerer rigtigt og kan udføre det arbejde, den er beregnet til. Brug aldrig apparatet, hvis en af sikkerhedsskærmene eller afskærmningerne er beskadiget eller fjernet. Apparatet må ikke benyttes, hvis nogen af delene er beskadigede eller defekte. Brug ikke maskinen, hvis den ikke kan tændes eller slukkes ved hjælp af afbryderen. Skadede eller defekte dele skal repareres eller udskiftes af en autoriseret tekniker.

- ◆ Kontrollér hyppigt kablet for skader. Hvis kablet er beskadiget, skal det udskiftes af en autoriseret reparatør for at undgå ulykker. Efterse forlængerkabler periodisk. Udskift et beskadiget kabel med det samme.
- ◆ Hold alle møtrikker, bolte og skruer på apparatet spændt for at sikre en sikker funktionstilstand.
- ◆ Kontroller græsopsamleren for slid eller beskadigelse og udskift posen om nødvendigt. Brug aldrig maskinen uden græsopsamleren.
- ◆ Når apparatet ikke er i brug, skal det opbevares et tørt sted. Børn må ikke have adgang til opbevarede apparater.
- ◆ Sørg for at der til udskiftning kun anvendes skæreanordninger af den rigtige type.
- ◆ Brug kun anbefalede reservedele og tilbehør fra Black & Decker.

Advarselssymboler

Følgende advarselssymboler findes på maskinen:



Læs brugsanvisningen igennem, inden maskinen tages i brug.



Udsæt ikke apparatet for regn eller høj fugtighed.



Tag stikket ud af stikkontakten, hvis det strømførende kabel er beskadiget



Hold eventuelle tilskuere på afstand.



Tag altid stikket ud af kontakten, før der foretages justering, service eller vedligeholdelse.



Pas på skarpe kanter.



Hold kablet på afstand af skærekniven.

El-sikkerhed

Der skal altid slukkes for apparatet på stikkontakten, før et han- og hunstik eller forlængerkabel afbrydes.

Dobbelt isolering



Dette apparat er dobbelt isoleret i henhold til EN 60335, og jordledning er derfor ikke påkrævet. Kontroller altid, at strømforsyningen svarer til spændingen på typeskiltet.

Den elektriske sikkerhed kan forbedres yderligere ved brug af en højfølsom 30 mA fejlstrømsafbryder (RCD).

Anvendelse af forlængerkabel

Brug altid en godkendt forlængerledning, der passer til strømstikket på dette værktøj (se tekniske data). Forlængerkablet skal være velegnet til udendørs brug og afmærket som sådan. Der kan bruges op til 30 m 1,5 mm H05VV-F forlængerkabel, uden at produktets styrke forringes. Før brug kontrolleres forlængerkablet for tegn på skader, slid og ældning. Udskift forlængerkablet, hvis den bliver beskadiget eller defekt. Ved anvendelse af en kabeltromle, skal kablet altid vindes helt ud.

Funktioner

1. Afbryder
2. Låseknop
3. Strømafbryder
4. Øvre greb
5. Nedre greb
6. Græsopsamler
7. Motordæksel
8. Hjul

Samling

Advarsel! Før montering skal man sikre sig, at maskinen er slukket og ledningen taget ud af stikkontakten.

Montering af grebet (fig. A)

- ◆ Monter delen på det nedre greb (5) til det øvre greb (4) med knapperne (9), skiverne (10) og skrueene (11) som vist på tegningen.

Montering af grebet (fig. B)

- ◆ Indsæt enderne af det nedre greb (5) i de tilsvarende huller (12) i plæneklipperen.
- ◆ Tryk grebet ned i hullet så dybt som muligt.
- ◆ Fastgør grebet ved hjælp af skrueene (13).

Fastgøring af kablet (fig. C)

Strømforsyningskablet skal fastgøres ved hjælp af kabelfastspændingerne.

- ◆ Klips den ene fastspænding (14) på det kabel, der fører fra afbryderdåsen til motoren. Fastgør fastspændingen til det nedre greb (5).
- ◆ Klips den anden fastspænding (14) på det kabel, der fører fra afbryderdåsen til stikkontakten. Fastgør fastspændingen til det øvre greb (4).

Advarsel! Sørg for, at kablet er fastgjort ved hjælp af kabelfastspændingerne, før maskinen sluttes til stikkontakten.

Påsætning af græsopsamleren (fig. D)

- ◆ Løft fligen (15) og anbring græsopsamleren over lapperne (16).

Anvendelse

Advarsel! Lad maskinen arbejde i sit eget tempo. Det må ikke overbelastes.

Justering af skærehøjden (fig. E)

Skærehøjden justeres ved at ændre hjulenes højde.

Advarsel! Afbryd strømmen til apparatet ved at trække stikket ud af stikkontakten. Vent til kniven er holdt op med at rotere, før du fortsætter.

- ◆ Frigør hjulene (8) ved at dreje dem ud af den låste position.
- ◆ Indstil hjulene i den ønskede højde.
- ◆ Drej hjulene tilbage i låst position og kontroller, at alle hjulene er indstillet til samme højde.

Start og stop

Tænding

- ◆ Hold grebet med begge hænder og tryk det lidt ned for at løfte apparatets forside.
- ◆ Hold låseknapen (2) inde, og træk afbryderen (1) mod dig.
- ◆ Slip låseknapen.
- ◆ Lad apparatet vende tilbage i arbejdsstilling.

Slukning

- ◆ Sluk for apparatet ved at slippe afbryderen.

Advarsel! Forsøg aldrig at fastlåse en knap, mens maskinen er tændt.

Græsslåning (fig. F & G)

Vi anbefaler, at du bruger din plæneklipper som skitseret i dette afsnit til at opnå det bedste resultat og til at reducere risikoen for at skære ledningen over.

- ◆ Læg størstedelen af ledningen på græsplanen i nærheden af startpunktet (se position 1 i fig. F).
- ◆ Tænd for maskinen som beskrevet foroven.
- ◆ Fortsæt som vist i fig. F.
 - ◆ Flyt plæneklipperen fra position 1 til position 2.
 - ◆ Drej til højre og gå til position 3.
 - ◆ Drej til venstre og gå til position 4.
- ◆ Gentag ovennævnte fremgangsmåde efter behov.

Advarsel! Arbejd ikke mod ledningen som vist i fig. G.

Tømning af græsopsamleren

- ◆ Tøm græsopsamleren, når du kan se, at løst græs spredes fra plæneklipperens bund.

Advarsel! Brug aldrig maskinen uden græsopsamleren.

Gode råd til optimalt brug

- ◆ Hvis græsset er længere end ca. 10 cm, anbefales det at slå græs i to omgange umiddelbart efter hinanden for at opnå et bedre klipperesultat. Slå først græsset med maksimal skærehøjde og derefter med lav eller mellemhøj skærehøjde.
- ◆ Hvis du vil opnå optimale klipperesultater, skal du kun slå græs, når det er tørt.

Vedligeholdelse

Din Black & Decker maskine er beregnet til brug i lang tid og med et minimum af vedligeholdelse. Men for at maskinen kan blive ved med at fungere tilfredsstillende, skal den passes godt og rengøres regelmæssigt.

- ◆ Hold maskinen ren og tør.
- ◆ Rengør regelmæssigt ventilationsrillerne med en ren, tør pensel.
- ◆ Brug jævnlige stump skraber til at fjerne græs og snavs fra apparatet.
- ◆ Brug kun mild sæbe på en fugtig klud til rengøring af apparatet. Der må ikke trænges væske ind i værktøjet, og værktøjet må hverken helt eller delvist neddyppes i væske. Der må ikke bruges skuremidler eller opløsningsmidler.

Vedligeholdelse af kniven

- ◆ Fjern jævnlige græs og snavs fra kniven.
- ◆ Undersøg nøje knivens tilstand i begyndelsen af havesæsonen.
- ◆ Hvæs eller udskift kniven, hvis den er meget stump.
- ◆ Monter en ny kniv som beskrevet herunder, hvis kniven er beskadiget eller nedslidt.

Udskiftning af kniven (fig. H)

Knive til udskiftning kan købes hos din Black & Decker forhandler.

- GR389: Kat. nr. A6389

Advarsel! laggtag følgende forholdsregler:

- ◆ Afbryd strømmen til apparatet ved at trække stikket ud af stikkontakten. Vent til kniven er holdt op med at rotere, før du fortsætter.
- ◆ Vær forsigtig og pas på, at du ikke skærer dig selv. Bær stærke arbejdshandsker eller tag en klud til at gribe kniven med.
- ◆ Skift kun ud med specificerede knive.
- ◆ Fjern ikke rotoren (17).

For at udskifte kniven, skal man gå frem på følgende måde:

- ◆ Læg apparatet på siden.
- ◆ Grib kniven (18) med en hånd.

- ◆ Løsn knivens møtrik med den medleverede skruenøgle og fjern knivens møtrik (19).
- ◆ Udskift kniven.
- ◆ Monter spændeskiven (såfremt den var monteret før) og møtrikken igen.
- ◆ Spænd knivens møtrik godt fast.

Fejlfinding

Hvis apparatet ikke virker korrekt, skal du gøre følgende. Hvis det ikke løser problemet, kontaktes et Black & Decker servicecenter.

Advarsel! Før du fortsætter, skal du tage stikket ud af stikkontakten.

Motoren brummer, men kniven bevæges ikke.

- ◆ Fjern forsigtigt eventuelle genstande, der hindrer kniven i at bevæge sig.

Ingen motorstøj og kniven bevæges ikke.

- ◆ Kontrollér, at strømkablerne er ordentligt tilsluttet.
- ◆ Kontrollér sikringerne.

Beskyttelse af miljøet



Separat indsamling. Dette produkt må ikke bortskaffes sammen med almindeligt husholdningsaffald.

Hvis du en dag skal udskifte dit Black & Decker produkt, eller hvis du ikke skal bruge det længere, må du ikke bortskaffe det sammen med husholdningsaffald. Dette produkt skal være tilgængeligt for separat indsamling.



Separat indsamling af brugte produkter og emballage gør det muligt at genbruge materialer. Genbrugte materialer forebygger miljøforurening og nedbringer behovet for råstoffer.

Lokale regler kan give mulighed for separat indsamling af elektriske husholdningsprodukter på kommunale lossepladser eller hos den forhandler, som du købte produktet af.

Black & Decker har en facilitet til indsamling og genbrug af Black & Decker-produkter, når deres levetid er slut. Få fordelene ved denne service ved at returnere produktet til en autoriseret tekniker, der samler værktøj sammen på vores vegne.

Du kan få oplyst den nærmeste autoriserede tekniker ved at kontakte det lokale Black & Decker-kontor på den adresse, der er angivet i denne brugsanvisning. Alternativt findes der en liste over autoriserede Black & Decker-teknikere og oplysninger om vores eftersalgsservice og kontaktpersoner på Internettet på adressen: www.2helpU.com

Tekniske data

	GR 369 LM382	GR383	GR384 GR389
Spænding	V 230	230	230
Motoreffekt	W 1.200	1.300	1.400
Ubelastet hastighed min ⁻¹	2.700	2.700	2.700
Knivlængde	mm 380	380	380
Vægt	kg 14,5	14,5	14,5

EU overensstemmelseserklæring

GR369, GR383, GR384, GR389, LM382

Black & Decker erklærer, at disse produkter er i overensstemmelse med følgende:

98/37/EØF, 89/336/EØF, 73/23/EØF, EN 55014, EN 60335, EN 61000, 2000/14/EØF,

Plæneklipper, L ≤ 50 cm, bilag VI, nr. 499

SNCH, L-5230 Sandweiler, Luxembourg

L_{PA} (lydtryk) 75 dB(A), L_{WA} (lydintensitet) 88 dB(A), L_{WA} (garanteret) 96 dB(A), hånd/arm vægтет vibration 1,5 m/s²

Kevin Hewitt

Director of Consumer Engineering
Spennymoor, County Durham DL16 6JG,
Storbritannien
1-8-2004

Reserve dele / reparationer

Reserve dele kan købes hos autoriserede Black & Decker serviceværksteder, som giver forslag til omkostninger og reparerer vore produkter. Oversigt over vore autoriserede værksteder findes på internettet på vor hjemmeside www.blackanddecker.dk samt www.2helpU.com

Garanti

Black & Decker garanterer, at produktet er fri for materielle skader og/eller fabriktionsfejl ved levering til kunden. Garantien er et tillæg til konsumentens lovlige rettigheder og påvirker ikke disse. Garantien gælder indenfor medlemsstaterne af den Europæiske Union og i det Europæiske Frihandelsområde.

Hvis et Black & Decker produkt går i stykker på grund af materiel skade og/eller fabrikationsfejl eller på anden måde ikke fungerer i overensstemmelse med specifikationen, inden for 24 måneder fra købsdatoen, påtager Black & Decker sig at reparere eller ombytte produktet med mindst muligt besvær for kunden.

Garantien gælder ikke for fejl og mangler, der er sket i forbindelse med:

- ◆ normal slitage
- ◆ uheldige følger efter unormal anvendelse af værktøjet
- ◆ overbelastning, hærværk eller overdrevent intensivt brug af værktøjet
- ◆ ulykkeshændelse

Garantien gælder ikke hvis reparationer er udført af nogen anden end et autoriseret Black & Decker værksted.

For at udnytte garantien skal produktet og købskvitteringen indleveres til forhandleren eller til et autoriseret værksted, senest 2 måneder efter at fejlen opdages. For information om nærmeste autoriserede værksted: kontakt det lokale Black & Decker kontor på den adresse som er opgivet i brugsanvisningen. Liste over alle autoriserede Black & Decker serviceværksteder samt servicevilkår er tilgængelig på internettet, på adressen **www.2helpU.com**

Gå venligst ind på vores website **www.blackanddecker.dk** for at registrere dit nye produkt og for at blive holdt ajour om nye produkter og specialtilbud. Der findes yderligere oplysninger om mærket Black & Decker og vores produktsortiment på adressen **www.blackanddecker.dk**

Käyttötarkoitus

Black & Decker -ruohonleikkuri on suunniteltu ruohon leikkaamiseen.

Kone on tarkoitettu kotikäyttöön.

Turvallisuusohjeet

- ◆ **Varoitus!** Sähkötyökaluja käytettäessä on aina noudatettava mm. seuraavia turvallisuusohjeita, jotta tulipalojen, sähköiskujen ja henkilövahinkojen riski olisi mahdollisimman pieni.
- ◆ Lue käyttöohje huolellisesti ennen koneen käyttöönottoa.
- ◆ Varmista, että osaat sammuttaa koneen ennen kuin käynnistät sen.
- ◆ Säilytä käyttöohje kaikkien koneen käyttäjien ulottuvilla.

Koulutus

- ◆ Lue ohjeet huolellisesti. Tutustu hallintalaitteisiin ja niiden toimintoihin.
- ◆ Älä anna lasten tai kenenkään, joka ei ole lukenut tätä käyttöohjetta tai tutustunut koneeseen, käyttää konetta. Paikalliset säännökset voivat asettaa rajoituksia käyttäjän iälle.
- ◆ Älä käytä konetta ihmisten ja etenkin lasten tai lemmikkieläinten ollessa koneen lähellä.
- ◆ Muista, että käyttäjä on vastuussa muille ihmisille tai heidän omaisuudelleen aiheutuvista onnettomuuksista tai vaaratilanteista.

Valmistelu

- ◆ Suojele jalkojasi käyttämällä tukevia kenkiä tai saappaita. Älä käytä konetta avojaloin tai avokärkiset sandaalit jalassa. Käytä pitkiä housuja suojataksesi jalkoja.
- ◆ Käytä suojalaseja konetta käyttäessäsi. Käytä kasvo- tai pölysuojaa, jos työskentely tapahtuu pölyisessä ympäristössä. Käytä kuulosuojaimia aina, kun melutaso käy epämuukavaksi.
- ◆ Suoja sähköiskuja vastaan. Vältä kosketusta maadoitettuihin pintoihin (esim. metallikaiteisiin, lyhtypylväisiin jne.).
- ◆ Tarkista ennen koneen käyttöä, ettei terä, terämutteri ja leikkuukokoonpano ole kulunut tai vaurioitunut. Tarkista, että terämutteri on tiukasti kiinni.
- ◆ Tarkista ennen käytön aloittamista, ettei työskentelyalueella ole oksia, kiviä, metallilankaa tai muita esteitä.

Käyttö

- ◆ Älä koskaan käytä konetta, jos sen suojuukset ovat vialliset tai ilman turvalaitteita, esimerkiksi ohjaimia ja/tai ruohonkeräimiä.
- ◆ Käytä konetta vain päivänvalossa tai voimakkaassa keinovalaistuksessa.

- ◆ Älä altista konetta sateelle. Älä käytä sitä kosteissa olosuhteissa. Konetta ei suositella käytettäväksi märässä ruohossa.
- ◆ Varmista, että seisot tukevasti etenkin mäessä. Muista, että juuri leikattu ruoho on kosteaa ja liukasta. Älä työskentele jyrkissä rinteissä.
- ◆ Työskentele rinteen leveydeltä, älä ylös ja alas rinnettä. Ole erittäin varovainen, kun vaihdat suuntaa rinteessä.
- ◆ Älä koskaan juokse konetta käyttäessäsi vaan kävele. Älä vedä konetta itseesi päin tai kävele takaperin sen kanssa.
- ◆ Kytke kone päälle ohjeiden mukaisesti. Varmista, että jalkasi ovat poissa terän tieltä.
- ◆ Älä kallista konetta, kun kytket sen päälle paitsi, jos konetta on kallistettava ennen käynnistämistä. Kallista konetta siinä tapauksessa vain sen verran kuin on täysin välttämätöntä. Nosta vain sitä osaa, joka on pois päin käyttäjästä. Varmista aina, että molemmat kädet ovat oikeassa asennossa ennen kuin lasket koneen takaisin maahan.
- ◆ Kytke kone pois päältä ja odota teräkokoontilan sammuvan, jos konetta on kallistettava kuljetuksen ajaksi, kun ylität muita kuin ruohopintoja ja kun kone kuljetetaan leikkuualueelle ja sieltä pois.
- ◆ Älä koskaan nosta tai kanno konetta ennen kuin terä on täysin pysähtynyt.
- ◆ Pidä kädet ja jalat poissa terän luota. Älä laita käsiä tai jalkoja pyörievien osien lähelle tai niiden alle.
- ◆ Pidä kädet ja jalat aina poissa poistoaukkojen luota.
- ◆ Sammuta kone, irrota pistoke virtalähteestä ja varmista, että liikkuvien osien pyörintä on loppunut, ennen kuin jätät koneen ilman valvontaa sekä ennen koneen osien vaihtoa, puhdistusta, tarkastusta tai tukoksen poistamista. Jos kone alkaa tärinä epänormaalisti tai jos osut vieraseen esineeseen, sammuta kone ja irrota virtajohto pistorasiasta. Tarkista, onko kone vaurioitunut.
- ◆ Pidä sähköjohto pois terän tieltä. Varmista, että tiedät aina johdon sijainnin.
- ◆ Moottori jatkaa pyörimistään lyhyen aikaa koneen sammutuksen jälkeen. Älä koskaan pakota terää pysähtymään.

Huolto ja varastointi

- ◆ Tarkista ennen käyttöä, ettei laitteessa ole vaurioita tai viallisia osia. Tarkista, etteivät liikkuvat ja muut osat sekä suoja ole viallisia, ja että kaikki muut käyttöön mahdollisesti vaikuttavat tekijät ovat kunnossa. Varmista, että kone toimii oikein ja täyttää tehtävänsä. Älä koskaan käytä konetta, jos jokin suoja tai kotelo on vaurioitunut tai ei ole paikallaan. Älä käytä laitetta, jos jokin sen osista on viallinen. Älä käytä konetta, jos se ei käynnisty ja pysähdy virrankatkaisijasta. Viallinen osa tulee korjata tai vaihtaa valtuutetussa Black & Deckerin huoltoliikkeessä.

- ◆ Tarkista johto säännöllisesti vaurioiden varalta. Jos sähköjohto on vaurioitunut, se saadaan vaihtaa vain valtuutetussa Black & Deckerin huoltoliikkeessä vaaratilanteiden välttämiseksi. Tarkista jatkojohdot säännöllisesti. Vaihda vaurioitunut jatkojohto välittömästi.
- ◆ Pidä kaikki mutterit, pultit ja ruuvit kireällä. Näin varmistetaan turvalliset työolosuhteet.
- ◆ Tarkista kokooja kulumisen ja vaurioiden varalta ja vaihda se tarvittaessa. Älä koskaan käytä konetta ilman kokooja.
- ◆ Säilytä laitetta kuivassa paikassa, kun se ei ole käytössä. Varmista, että lapset eivät pääse käsiksi laitteisiin.
- ◆ Varmista, että käytät vain oikeantyyppistä vaihtoterää.
- ◆ Käytä vain Black & Deckerin suosittelemia varaosia ja tarvikkeita.

Merkit

Koneessa on seuraavat varoitusmerkit:



Lue käyttöohje huolellisesti ennen koneen käyttöönottoa.



Älä altista konetta sateelle tai kosteudelle.



Irrota pistoke pistorasiasta, jos virtajohto on vaurioitunut.



Pidä sivulliset loitolla.



Irrota pistoke pistorasiasta ennen kuin suoritat säätöjä tai huoltoa.



Varo teräviä reunoja.



Pidä johto pois terän ulottuvilta.

Sähköturvallisuus

Kone on aina irrotettava virtalähteestä ennen jatkojohdon irrottamista.

Kaksoiseristys



Kone on kaksoiseristetty EN 60335:n mukaisesti. Tarkista aina, että virtalähde vastaa arvokilvessä ilmoitettua jännitettä.

Sähköistä turvallisuutta voidaan parantaa käyttämällä erittäin herkkää (30 mA) vikavirtasuojaa.

Jatkojohdon käyttö

Käytä aina oikeanlaista jatkojohtoa, joka sopii tämän koneen virransyöttöliitäntään (katso tekniset tiedot). Jatkojohdon tulee olla ulkokäyttöön tarkoitettu ja merkitty myös siten. Jopa 30 m:n pituista jatkojohtoa (1.5 mm, H05VV-F) voidaan käyttää tehon vähenemättä. Tarkista jatkojohto ennen käyttöönottoa vaurioiden, vanhenemisen tai kulumisen varalta. Vaihda vaurioitunut tai viallinen sähköjohto. Jos käytät jatkojohtokelaa, kelaa johto aina täysin auki.

Yleiskuvasu

1. Virrankatkaisija
2. Lukitusnappi
3. Kytkinrasia
4. Yläkädensija
5. Alakädensija
6. Kokooja
7. Moottorin kansi
8. Pyörät

Kokoaminen

Varoitus! Varmista ennen kokoamista, että kone on kytketty pois päältä eikä sitä ole liitetty virtalähteeseen.

Kädensijan kokoaminen (kuva A)

- ◆ Sovita alakädensijan osa (5) yläkädensijaan (4) käyttäen nuppeja (9), aluslevyjä (10) ja ruuveja (11) kuvan osoittamalla tavalla.

Kädensijan kiinnittäminen (kuva B)

- ◆ Asenna alakädensijan päät (5) leikkurissa oleviin reikiin (12).
- ◆ Työnnä kädensija niin alas kuin mahdollista.
- ◆ Kiinnitä kädensija ruuveilla (13).

Johdon kiinnittäminen (kuva C)

Virtajohdon kiinnittämisessä on käytettävä johdon pidikkeitä.

- ◆ Kiinnitä yksi johdon pidike (14) johtoon, joka kulkee kytkinrasiasta moottoriin. Kiinnitä johdon pidike alakädensijaan (5).
- ◆ Kiinnitä toinen johdon pidike (14) johtoon, joka kulkee kytkinrasiasta pistotulppaan. Kiinnitä johdon pidike yläkädensijaan (4).

Varoitus! Varmista, että johto on kierretty johdon pidikkeen kautta ennen kuin kiinnität johdon verkkovirtaan.

Kokoojan asentaminen (kuva D)

- ◆ Nosta läppää (15) ja aseta kokooja korvakkeiden (16) päälle.

Käyttö

Varoitus! Anna koneen käydä omaan tahtiinsa. Älä ylikuormita sitä.

Leikkuukorkeuden säätö (kuva E)

Leikkuukorkeutta säädetään muuttamalla pyörien korkeutta.

Varoitus! Irrota koneen virtajohto pistorasiasta ja odota, kunnes terä on pysähtynyt. Jatka vasta sitten.

- ◆ Vapauta pyörät (8) vetämällä ne pois lukitusasennosta.
- ◆ Säädä pyörät halutulle korkeudelle.
- ◆ Laita pyörät takaisin lukitusasentoon. Varmista, että kaikki pyörät ovat samalla korkeudella.

Käynnistys ja pysäytys**Koneen käynnistys**

- ◆ Pidä kädensijasta kiinni molemmilla käsillä ja paina sitä hieman alaspäin niin, että koneen etuosa nousee.
- ◆ Pidä lukitusnappia (2) painettuna sisään ja vedä virrankatkaisijaa (1) itseäsi kohti.
- ◆ Päästä irti lukitusnapista.
- ◆ Palauta kone takaisin työasentoon.

Koneen pysäytys

- ◆ Sammuta kone päästämällä irti virrankatkaisijasta.

Varoitus! Älä koskaan yritä lukita virrankatkaisijaa käynnistysasentoon.

Ruohon leikkaaminen (kuvat F & G)

Saadaksesi parhaimman tuloksen ja välttääksesi johdon leikkaantumisen suosittelemme, että leikkaat nurmikon tässä kappaleessa kuvatulla tavalla.

- ◆ Aseta suurin osa johdosta nurmikolle lähelle aloituskohtaa (kohta 1 kuvassa F).
- ◆ Käynnistä kone yllä kuvatulla tavalla.
- ◆ Toimi kuvassa F osoitetulla tavalla.
 - ◆ Siirry kohdasta 1 kohtaan 2.
 - ◆ Käännä oikealle ja jatka kohti kohtaa 3.
 - ◆ Käännä vasemmalle ja jatka kohti kohtaa 4.
- ◆ Toista yllä kuvattu toimintatapa tarpeen vaatiessa.

Varoitus! Älä leikkaa kuten kuvassa G eli johtoa kohti.

Kokoojan tyhjentäminen

- ◆ Tyhjennä kokooja, kun näet leikkurin alta tulevan irtonaista ruohoa.

Varoitus! Älä koskaan käytä konetta ilman kokooja.

Vinkkejä parhaimman tuloksen saamiseksi

- ◆ Jos ruohon pituus ylittää 10 cm, leikkaa kaksi kertaa parhaimman tuloksen saamiseksi.

Leikkaa ensin suurimmalla leikkuukorkeudella ja sen jälkeen keskikorkeudella.

- ◆ Saadaksesi parhaimman tuloksen leikkaa ainoastaan kuivaa ruohoa.

Huolto

Black & Deckerin kone on suunniteltu toimimaan mahdollisimman pitkän aikaa mahdollisimman vähällä huollolla. Oikealla huollolla ja säännöllisellä puhdistuksella kone säilyttää suorituskykynsä.

- ◆ Pidä kone puhtaana ja kuivana.
- ◆ Puhdista ilmanvaihtoaukot säännöllisesti puhtaalla, kuivalla siveltimellä.
- ◆ Poista ruoho ja lika säännöllisesti koneesta tylsällä kaapimella.
- ◆ Käytä koneen puhdistamiseen vain mietoa pesuainetta ja kostutettua kangasta. Älä päästä työkalun sisään nestettä. Älä koskaan upota koneen mitään osaa nesteeseen. Älä koskaan käytä puhdistamiseen liuotainaineita tai syövyttäviä puhdistusaineita.

Terän huolto

- ◆ Irrota ruoho ja lika säännöllisesti terästä.
- ◆ Tarkista terän kunto huolellisesti aina puutarhakauden alussa.
- ◆ Jos terä on hyvin tylsä, teroita tai vaihda se.
- ◆ Jos terä on vaurioitunut tai kulunut, vaihda se uuteen alla kuvatulla tavalla.

Terän vaihto (kuva H)

Uusia teriä myyvät Black & Decker - tuotteiden jälleenmyyjät.
- GR389: tuotenumero A6389

Varoitus! Noudata seuraavia varotoimia:

- ◆ Irrota koneen virtajohto pistorasiasta ja odota, kunnes terä on pysähtynyt. Jatka vasta sitten.
- ◆ Varo haavoittamasta itseäsi. Suojaa kädet paksuilla käsineillä tai paksulla kankaalla, kun tartut terään.
- ◆ Käytä vain tässä käyttöohjeessa mainittua terää.
- ◆ Älä koskaan poista tuuletinpyörää (17) mistään syystä.

Terän vaihtaminen:

- ◆ Käännä kone kyljelleen.
- ◆ Tartu terään (18) yhdellä kädellä.
- ◆ Löysennä ja irrota terämutteri (19) mukana tulleella kiintoavaimella.
- ◆ Vaihda terä.
- ◆ Laita aluslevy (jos ollut aiemmin) ja mutteri takaisin.
- ◆ Kiristä terämutteri kunnolla.

Vianmääritys

Jos kone ei näytä toimivan oikein, noudata seuraavia ohjeita. Jos kone ei tästä huolimatta toimi, ota yhteyttä valtuutettuun Black & Deckerin huoltopisteeseen.

Varoitus! Irrota pistoke pistorasiasta ennen jatkamista.

Moottori käy, mutta terä ei liiku

- ◆ Poista kaikki, jotka voivat estää terää pyörimästä.

Ei ääntä ja terä ei liiku

- ◆ Tarkista, että johto on kunnolla kiinni.
- ◆ Tarkista verkkovirran sulakkeet.

Ympäristö



Erillinen keräys. Tätä tuotetta ei saa hävittää normaalin kotitalousjätteen kanssa.

Kun Black & Decker -koneesi on käytetty loppuun, älä hävitä sitä kotitalousjätteen mukana. Tämä tuote on kerättävä erikseen.



Käytettyjen tuotteiden ja pakkausten erillinen keräys mahdollistaa materiaalin kierrätyksen ja uudelleenkäytön. Kierrätettyjen materiaalien uudelleenkäyttö auttaa ehkäisemään ympäristön saastumisen ja vähentää raaka-aineiden kysyntää.

Paikallisten säännösten mukaisesti on mahdollista viedä kotitalousien sähkölaitteet kuntien kaatopaikoille tai jättää ne vähittäismyyjälle ostettaessa uusi tuote.

Black & Decker tarjoaa mahdollisuuden Black & Decker –tuotteiden keräykseen ja kierrätykseen sen jälkeen, kun ne on poistettu käytöstä. Jotta voisit hyötyä tästä palvelusta, palauta laitteesi johonkin valtuutettuun huoltoliikkeeseen, joka kerää laitteet meidän puolestamme.

Voit tarkistaa lähimmän valtuutetun huoltoliikkeen sijainnin ottamalla yhteyden Black & Deckerin toimistoon, joka sijaitsee tässä käsikirjassa annetussa osoitteessa. Lista valtuutetuista Black & Decker -huoltoliikkeistä sekä yksityiskohtaiset tiedot korjauspalvelustamme ovat vaihtoehtoisesti saatavilla Internetissä, osoitteessa www.2helpU.com

Tekniset tiedot

	GR 369	GR383	GR384
	LM382		GR389
Jännite	V 230	230	230
Ottoteho	W 1.200	1.300	1.400
Kuormittamaton nopeus	min ⁻¹ 2.700	2.700	2.700
Terän pituus	mm 380	380	380
Paino	kg 14,5	14,5	14,5

EU:n yhdenmukaisuusilmoitus

GR369, GR383, GR384, GR389, LM382

Black & Decker vakuuttaa näiden tuotteiden olevan seuraavien standardien vaatimusten mukaisia:
98/37/EC, 89/336/EEC, 73/23/EEC, EN 55014, EN 60335, EN 61000, 2000/14/EC,

Ruohonleikkuri, L ≤ 50 cm, Annex VI, No. 499
SNCH, L-5230 Sandweiler, Luxembourg

L_{pA} (äänenpaine) 75 dB(A), L_{WA} (akustinen teho) 88 dB(A),
 L_{WA} (taattu) 96 dB(A), käden/käsivarren painotettu tärinä
1,5 m/s²

Kevin Hewitt
Director of Consumer Engineering
Spennymoor, County Durham DL16 6JG,
Iso-Britannia
1-8-2004

Korjaukset / varaosat

Mikäli koneeseen tulee vikaa, jätä se aina Black & Deckerin valtuuttamaan huoltoliikkeeseen korjattavaksi (tiedot löytyvät uusimmasta tuoteluettelostamme tai ottamalla yhteyttä Black & Decker Oy:hyn). Varaosia myyvät valtuutetut Black & Deckerin huoltoliikkeet, ja heiltä voi myös pyytää kustannusarvion koneen korjauksesta.

Tiedot valtuutetuista huoltoliikkeistä löytyvät myös internetistä osoitteesta www.2helpU.com sekä kotisivuiltamme www.blackanddecker.fi

Takuu

Black & Decker Oy takaa, ettei koneessa ollut materiaali- ja/tai valmistusvikaa silloin, kun se toimitettiin ostajalle. Takuu on lisäys kuluttajan laillisiin oikeuksiin eikä vaikuta niihin. Takuu on voimassa Euroopan Unionin jäsenmaissa ja Euroopan vapaakauppa-alueella (EFTA).

Mikäli Black & Decker -kone hajooa materiaali- ja/tai valmistusvirheen tai teknisten tietojen epätarkkuuden vuoksi 24 kk:n kuluessa ostopäivästä, Black & Decker korjaa koneen ilman kustannuksia ostajalle tai vaihtaa sen uuteen Black & Decker Oy:n valinnan mukaan.

Takuu ei kata vikoja, jotka johtuvat koneen

- ◆ normaalista kulumisesta
- ◆ ylikuormituksesta, virheellisestä käytöstä tai hoidosta
- ◆ vahingoittamisesta vieraalla esineellä tai aineella tai onnettomuustapauksessa.

Takuu ei ole voimassa, mikäli konetta on korjannut joku muu kuin Black & Deckerin valtuuttama huoltoliike.

Edellytyksenä takuun saamiselle on, että ostaja jättää koneen ja ostokuitin jälleenmyyjälle tai valtuutetulle huoltoliikkeelle viimeistään 2 kuukauden kuluessa vian ilmenemisestä.

Tiedot valtuutetuista huoltoliikkeistä saa ottamalla yhteyttä Black & Decker Oy:hyn sekä internetistä osoitteesta

www.2helpU.com, jossa on myös takuehdot.

Voit vieraillla verkkosivullamme **www.blackanddecker.fi**

rekisteröidäksesi uuden Black & Decker-tuotteesi ja

saadaksesi tietoa uusista tuotteista ja erikoistarjouksista.

Saat lisätietoja Black & Deckerin tavaramerkistä ja

tuotevalikoimastamme osoitteesta **www.blackanddecker.fi**

Ενδεξιγμένη χρήση

Το χλοοκοπτικό μηχανήμα της Black & Decker έχει σχεδιαστεί για την κοπή χόρτων.

Αυτο το εργαλείο προορίζεται μόνο για ερασιτεχνική χρήση.

Οδηγίες ασφαλείας

- ◆ **Προειδοποίηση!** Κατά τη χρήση συσκευών που τροφοδοτούνται με ηλεκτρικό ρεύμα, θα πρέπει πάντα να λαμβάνονται οι βασικές προφυλάξεις ασφαλείας για τον περιορισμό του κινδύνου πυρκαγιάς, ηλεκτροπληξίας και σωματικών βλαβών.
- ◆ Πριν χρησιμοποιήσετε το μηχανήμα, διαβάστε προσεκτικά ολόκληρο το εγχειρίδιο.
- ◆ Πριν χρησιμοποιήσετε αυτό το μηχανήμα, βεβαιωθείτε ότι γνωρίζετε πώς να το σβήσετε σε περίπτωση έκτακτης ανάγκης.
- ◆ Φυλάξτε το εγχειρίδιο αυτό για να μπορείτε να ανατρέξετε σε αυτό στο μέλλον.

Εκπαίδευση

- ◆ Διαβάστε τις οδηγίες προσεκτικά. Εξοικειωθείτε με τα χειριστήρια και τη σωστή χρήση του μηχανήματος.
- ◆ Μην επιτρέπετε σε μικρά παιδιά ή σε άτομα που δεν έχουν διαβάσει το εγχειρίδιο οδηγιών ή που δεν έχουν εξοικειωθεί με το μηχανήμα να το χρησιμοποιήσουν. Ενδέχεται να υπάρχουν νομικοί περιορισμοί σχετικά με την ηλικία του χειριστή.
- ◆ Ποτέ μη χρησιμοποιείτε το μηχανήμα όταν βρίσκονται κοντά άλλοι άνθρωποι, ιδιαίτερα παιδιά ή κατοικίδια.
- ◆ Να έχετε υπόψη σας ότι η ευθύνη για ατυχήματα ή κινδύνους για τρίτους ή την παρουσία τρίτων θα καταλογιστεί στο χειριστή.

Προετοιμασία

- ◆ Να φοράτε χοντρά υποδήματα ή μπότες για να προστατέψετε τα πόδια σας. Μη χειρίζεστε το μηχανήμα φρονιάτας σαγιονάρες ή όταν είστε ξυπόλητοι. Να φοράτε μακριά παντελόνια για να προστατέψετε τα πόδια σας.
- ◆ Όταν χρησιμοποιείτε αυτό το εργαλείο, να φοράτε προστατευτικά γυαλιά. Να φοράτε μάσκα προσώπου ή μάσκα προστασίας από τη σκόνη όταν εργάζεστε σε χώρο με πολλή σκόνη. Πρέπει να φοράτε ωτασπίδες όταν η στάθμη του θορύβου σας προκαλεί δυσφορία.
- ◆ Λάβετε τις κατάλληλες προφυλάξεις για το ενδεχόμενο ηλεκτροπληξίας. Αποφύγετε τη σωματική επαφή με γειωμένες ή συνδεδεμένες με το έδαφος επιφάνειες (π.χ. μεταλλικά κγκλιδώματα, λάμπες κλπ).
- ◆ Πριν χρησιμοποιήσετε το μηχανήμα, βεβαιωθείτε ότι η λεπίδα, το παξιμάδι της λεπίδας και το σύστημα κοπής δεν εμφανίζουν φθορές ή ζημιές. Βεβαιωθείτε ότι το παξιμάδι της λεπίδας είναι καλά σφιγμένο.
- ◆ Πριν χρησιμοποιήσετε το μηχανήμα, βεβαιωθείτε ότι στη διαδρομή κοπής δεν υπάρχουν κλαδιά, πέτρες, σύρματα ή οποιοδήποτε άλλο εμπόδιο.

Λειτουργία

- ◆ Ποτέ μη χρησιμοποιείτε το μηχανήμα με ελαττωματικούς προφυλακτήρες ή με ελαττωματικά καλύμματα ή χωρίς τις διατάξεις ασφαλείας, για παράδειγμα χωρίς να είναι τοποθετημένοι οι ανακλαστήρες και/ή συλλέκτες γυαλιών στη θέση τους.
- ◆ Χρησιμοποιείτε το μηχανήμα μόνο στο φως της ημέρας ή σε επαρκές τεχνητό φως.
- ◆ Μην εκθέτετε το μηχανήμα σε βροχή. Μη χρησιμοποιείτε το μηχανήμα σε υγρό περιβάλλον ή παρουσία νερού. Είναι καλύτερα να μη χρησιμοποιείτε το μηχανήμα σε υγρό γρασίδι.
- ◆ Βεβαιωθείτε ότι πατάτε καλά και σταθερά, ιδιαίτερα σε εδάφη με κλίση. Να έχετε υπόψη σας ότι το φρεσκοκομμένο χόρτο είναι υγρό και γλιστερό. Μην εργάζεστε σε έδαφος με απότομες κλίσεις.
- ◆ Να κινήστε κατά το πλάτος της επικλινούς επιφάνειας και όχι πάνω και κάτω κατά τη διεύθυνση της κλίσης. Να είστε πολύ προσεκτικοί όταν αλλάζετε διεύθυνση κίνησης πάνω σε επικλίνη εδάφη.
- ◆ Μην τρέχετε, πάντα να περπατάτε όταν χρησιμοποιείτε το μηχανήμα. Μην τραβάτε το μηχανήμα προς το μέρος σας και μην περπατάτε προς τα πίσω όταν το χρησιμοποιείτε.
- ◆ Θέστε το μηχανήμα σε λειτουργία σύμφωνα με τις οδηγίες και μόνο όταν τα πόδια σας βρίσκονται μακριά από τη λεπίδα.
- ◆ Μη γέρνετε το μηχανήμα ενώ το θέτετε σε λειτουργία εκτός κι αν πρέπει να γείρει για την εκκίνηση. Σε αυτή την περίπτωση, μη γέρνετε το μηχανήμα περισσότερο από το απολύτως απαραίτητο και ανασκώστε μόνο το τμήμα εκείνο που είναι μακριά από το χειριστή. Να φροντίζετε πάντα ώστε και τα δύο χέρια να είναι στη θέση χειρισμού πριν επαναφέρετε το μηχανήμα στο έδαφος.
- ◆ Θέστε το μηχανήμα εκτός λειτουργίας και περιμένετε να διακοπεί η λειτουργία της λεπίδας αν πρέπει να γείρει το μηχανήμα για να μεταφερθεί πάνω από επιφάνειες εκτός χόρτου και κατά τη μεταφορά του μηχανήματος προς και από την επιφάνεια κοπής.
- ◆ Μην ανασκώνετε και μη μεταφέρετε το μηχανήμα εάν δεν έχει ακινητοποιηθεί τελείως η λεπίδα.
- ◆ Κρατήστε τα χέρια και τα πόδια σας μακριά από τη λεπίδα. Μη βάζετε τα χέρια ή τα πόδια σας κοντά ή κάτω από τα περιστρεφόμενα εξαρτήματα.
- ◆ Φροντίστε να μένετε συνεχώς μακριά από τα ανοίγματα εκκένωσης.

- ◆ Θέστε το μηχάνημα εκτός λειτουργίας, βγάλτε το φως από την πρίζα και βεβαιωθείτε ότι σταμάτησε η περιστροφή των κινουμένων εξαρτημάτων πριν αφήσετε το μηχάνημα χωρίς χειριστή και πριν αλλάξετε, καθαρίσετε ή επιθεωρήσετε οποιαδήποτε εξαρτήματα του μηχανήματος ή καθαρίσετε κάποια αιτία έμφραξης.
Εάν το μηχάνημα αρχίσει να κραδάζεται αφύσικα ή αν χτυπήσετε κάποιο ξένο σώμα, σβήστε το και βγάλτε το φως από την πρίζα. Ελέγξτε το μηχάνημα για τυχόν ζημιές.
- ◆ Φροντίστε να διατηρείτε το καλώδιο ηλεκτρικού ρεύματος μακριά από τη λεπίδα. Προσέχετε πάντα τη θέση του καλωδίου.
- ◆ Το μοτέρ θα συνεχίσει να λειτουργεί για μερικά δευτερόλεπτα μετά τη θέση του μηχανήματος εκτός λειτουργίας. Ποτέ μην επιχειρήσετε να ακινητοποιήσετε τη λεπίδα δια της βίας.

Συντήρηση και αποθήκευση

- ◆ Πριν τη χρήση, ελέγξτε τη συσκευή για τυχόν φθαμένα ή ελαττωματικά εξαρτήματα. Ελέγξτε για τυχόν κακή ευθυγράμμιση και εμπλοκή των κινουμένων μερών, για εξαρτήματα που έχουν σπάσει, για τυχόν ζημιές στους προφυλακτήρες και στους διακόπτες και γενικά για κάθε είδους συνθήκες οι οποίες ενδεχομένως να επηρεάσουν τη λειτουργία του μηχανήματος. Βεβαιωθείτε ότι το μηχάνημα λειτουργεί κανονικά και χρησιμοποιείται για το σκοπό για τον οποίο προορίζεται. Ποτέ μη χρησιμοποιείτε το μηχάνημα αν οποιοσδήποτε προφυλακτήρας ή περιβλήμα έχει καταστραφεί ή δεν είναι στη θέση του. Μη χρησιμοποιείτε τη συσκευή εάν κάποιο εξάρτημά της έχει πάθει ζημιά ή παρουσιάζει ελάττωμα. Μη χρησιμοποιείτε το μηχάνημα αν δεν μπορεί να τεθεί εντός ή εκτός λειτουργίας με το διακόπτη. Ζητήστε από εξουσιοδοτημένο συνεργείο σέρβις την επισκευή ή την αντικατάσταση όλων των φθαμένων ή ελαττωματικών εξαρτημάτων.
- ◆ Ελέγχετε τακτικά το καλώδιο για τυχόν φθορές. Εάν το καλώδιο είναι κατεστραμμένο, πρέπει να αντικατασταθεί από εξουσιοδοτημένο κέντρο επισκευής, ώστε να μην προκύψει κίνδυνος. Ελέγχετε τακτικά τα καλώδια της προέκτασης. Τα κατεστραμμένα καλώδια προέκτασης πρέπει να αντικαθίστανται αμέσως.
- ◆ Φροντίστε ώστε όλα τα παξιμάδια, τα μπουλόνια και οι βίδες πάνω στο μηχάνημα να είναι σφιγμένα καλά για να διασφαλιστεί η ασφαλής λειτουργία.
- ◆ Βεβαιωθείτε ότι ο σάκος περισυλλογής χόρτου δεν εμφανίζει φθορές ή ζημιές και αντικαταστήστε τον αν χρειάζεται. Ποτέ μη χρησιμοποιείτε το μηχάνημα χωρίς το σάκο περισυλλογής χόρτου.
- ◆ Όταν δεν χρησιμοποιείται, η συσκευή θα πρέπει να αποθηκεύεται σε ξηρό χώρο. Τα παιδιά δεν πρέπει να έχουν πρόσβαση στις αποθηκευμένες συσκευές.

- ◆ Φροντίστε να χρησιμοποιούνται μόνο ανταλλακτικά κοπτικά εξαρτήματα σωστού τύπου.
- ◆ Να χρησιμοποιείτε μόνο ανταλλακτικά και εξαρτήματα που συνιστά η Black & Decker.

Προειδοποιητικά σύμβολα

Πάνω στο μηχάνημα υπάρχουν τα ακόλουθα προειδοποιητικά σύμβολα:



Διαβάστε το εγχειρίδιο πριν θέσετε το μηχάνημα σε λειτουργία.



Μην αφήνετε το μηχάνημα εκτεθειμένο στη βροχή ή σε έντονη υγρασία.



Βγάλτε το φως από την πρίζα αν το καλώδιο ηλεκτρικού ρεύματος είναι κατεστραμμένο.



Μην αφήνετε τρίτους να πλησιάζουν.



Βγάλτε το φως από την πρίζα πριν προχωρήσετε σε εργασίες ρύθμισης, σέρβις ή συντήρησης.



Να προσέχετε τα αιχμηρά άκρα.



Διατηρείτε το καλώδιο μακριά από τις λεπίδες κοπής.

Ασφαλής χρήση του ηλεκτρικού ρεύματος

Το μηχάνημα πρέπει να είναι πάντα εκτός λειτουργίας πριν την αποσύνδεση κάθε φως και συνδετήρα ή καλωδίου προέκτασης.

Διπλή μόνωση



Η συσκευή αυτή διαθέτει διπλή μόνωση σύμφωνα με το πρότυπο EN 60335 και, συνεπώς, δεν χρειάζεται γείωση. Ελέγχετε πάντοτε αν η τάση τροφοδοσίας αντιστοιχεί σε αυτήν που αναγράφεται στην πινακίδα στοιχείων του εργαλείου.

Η ασφάλεια έναντι ηλεκτροπληξίας μπορεί να βελτιωθεί ακόμα περισσότερο αν χρησιμοποιηθεί διάταξη παραμένουτος ρεύματος (RCD) υψηλής ευαισθησίας (30 mA).

Χρήση καλωδίου προέκτασης

Να χρησιμοποιείτε πάντα εγκεκριμένο καλώδιο προέκτασης για την ηλεκτρική τροφοδοσία αυτού του εργαλείου (δείτε τα τεχνικά στοιχεία). Η προέκταση πρέπει να είναι κατάλληλη για χρήση σε εξωτερικό χώρο και να φέρει ανάλογη σήμανση.

Μπορεί να χρησιμοποιηθεί καλώδιο προέκτασης HO5VV-F 1,5 mm, μήκους έως και 30 μέτρα, χωρίς να μειωθεί η απόδοση του μηχανήματος. Πριν τη χρήση, ελέγξτε προσεκτικά το καλώδιο προέκτασης για σημάδια ζημιάς, φθοράς και παλαιώσης. Αντικαταστήστε το καλώδιο προέκτασης αν είναι κατεστραμμένο ή ελαττωματικό. Όταν χρησιμοποιείτε καρούλι καλωδίου, πάντα να ξετυλίγετε τελείως το καλώδιο.

Χαρακτηριστικά

1. Διακόπτης on/off
2. Διακόπτης απασφάλισης
3. Πίνακας διακοπών
4. Πάνω χειρολαβή
5. Κάτω χειρολαβή
6. Σάκος περισυλλογής χόρτου
7. Κάλυμμα μοτέρ
8. Τροχοί

Συναρμολόγηση

Προειδοποίηση! Πριν τη συναρμολόγηση, βεβαιωθείτε ότι η συσκευή είναι εκτός λειτουργίας και ότι το φως της δεν είναι στην πρίζα.

Συναρμολόγηση της χειρολαβής (εικ. Α)

- ◆ Τοποθετήστε το τμήμα της κάτω χειρολαβής (5) στην πάνω χειρολαβή (4) χρησιμοποιώντας τα μπουτόν (9), τις ροδέλες (10) και τις βίδες (11) όπως φαίνεται στην εικόνα.

Τοποθέτηση της χειρολαβής (εικ. Β)

- ◆ Εισάγετε τα άκρα της κάτω χειρολαβής (5) στις αντίστοιχες οπές (12) του χλοοκοπτικού μηχανήματος.
- ◆ Πιέστε τη χειρολαβή προς τα κάτω όσο πάει.
- ◆ Ασφαλίστε τη χειρολαβή με τις βίδες (13).

Στερέωση του καλωδίου (εικ. C)

Το καλώδιο ηλεκτρικού ρεύματος πρέπει να στερεωθεί με το σύστημα συγκράτησης καλωδίου.

- ◆ Στερεώστε το ένα σύστημα συγκράτησης (14) πάνω στο καλώδιο που ξεκινά από τον πίνακα των διακοπών και καταλήγει στο μοτέρ. Ασφαλίστε το σύστημα συγκράτησης πάνω στην κάτω χειρολαβή (5).
- ◆ Στερεώστε το άλλο σύστημα συγκράτησης (14) πάνω στο καλώδιο που ξεκινά από τον πίνακα των διακοπών και καταλήγει στο φως. Ασφαλίστε το σύστημα συγκράτησης πάνω στην πάνω χειρολαβή (4).

Προειδοποίηση! Βεβαιωθείτε ότι το καλώδιο έχει στερεωθεί με τη βοήθεια του συστήματος συγκράτησης καλωδίου πριν συνδέσετε το φως στην ηλεκτρική παροχή.

Τοποθέτηση του σάκου συλλογής χόρτου (εικ. D)

- ◆ Ανασκάψτε το κάλυμμα (15) και τοποθετήστε το σάκο περισυλλογής του χόρτου πάνω από τα στηρίγματα (16).

Χρήση

Προειδοποίηση! Αφήστε το μηχανήμα να λειτουργήσει με το δικό του ρυθμό. Μην το υπερφορτώνετε.

Ρύθμιση του ύψους κοπής (εικ. E)

Το ύψος κοπής ρυθμίζεται αλλάζοντας το ύψος των τροχών.

Προειδοποίηση! Αποσυνδέστε το μηχανήμα από το ηλεκτρικό δίκτυο και περιμένετε μέχρι να σταματήσει η λεπίδα να περιστρέφεται πριν συνεχίσετε.

- ◆ Απελευθερώστε τους τροχούς (8) περιστρέφοντάς τους έως ότου απασφαλιστούν.
- ◆ Ρυθμίστε τους τροχούς στο επιθυμητό ύψος.
- ◆ Περιστρέψτε πάλι τους τροχούς μέχρι να ασφαλισουν και βεβαιωθείτε ότι όλοι οι τροχοί βρίσκονται στο ίδιο ύψος.

Θέση εντός και εκτός λειτουργίας

Θέση σε λειτουργία

- ◆ Κρατήστε τη χειρολαβή και με τα δύο χέρια και γειρετέ την ελαφρά προς τα κάτω ώστε να ανυψωθεί το εμπρός μέρος του μηχανήματος.
- ◆ Κρατήστε το κουμπί απασφάλισης (2) πατημένο και τραβήξτε το διακόπτη on/off (1) προς το μέρος σας.
- ◆ Αφήστε το κουμπί απασφάλισης.
- ◆ Αφήστε το μηχανήμα να επανέλθει στη θέση λειτουργίας του.

Θέση εκτός λειτουργίας

- ◆ Για να σβήσετε το μηχανήμα, αφήστε το διακόπτη on/off.

Προειδοποίηση! Ποτέ μην επιχειρήσετε να ασφαλίσετε κάποιο διακόπτη στη θέση λειτουργίας (on).

Κοπή χόρτου (εικ. F & G)

Συνιστάται να χρησιμοποιείτε το χλοοκοπτικό μηχανήμα όπως παρουσιάζεται σε αυτήν την ενότητα προκειμένου να έχετε τα καλύτερα δυνατά αποτελέσματα και να μειώσετε τον κίνδυνο κοπής του καλωδίου τροφοδοσίας.

- ◆ Τοποθετήστε το μεγαλύτερο μέρος του καλωδίου τροφοδοσίας πάνω στο γκαζόν, κοντά στο σημείο εκκίνησης (θέση 1 στην εικ. F).
- ◆ Θέστε το μηχανήμα σε λειτουργία όπως περιγράφεται παραπάνω.

- ◆ Συνεχίστε όπως απεικονίζεται στην εικ. F.
- ◆ Μετακινήστε από τη θέση 1 στη θέση 2.
- ◆ Στρίψτε δεξιά και συνεχίστε προς τη θέση 3.
- ◆ Στρίψτε αριστερά και προχωρήστε προς τη θέση 4.
- ◆ Επαναλάβετε την παραπάνω διαδικασία όπως απαιτείται.

Προειδοποίηση! Μην προχωράτε προς το καλώδιο όπως απεικονίζεται στην εικ. G.

Αδειασμα του σάκου περισυλλογής χόρτου

- ◆ Όταν βλέπετε υπολείμματα χόρτου να διασκορπώνται κάτω από το μηχανήμα, αδειάστε το σάκο περισυλλογής του χόρτου.

Προειδοποίηση! Ποτέ μη χρησιμοποιείτε το μηχανήμα χωρίς το σάκο περισυλλογής χόρτου.

Συμβουλές για άριστη χρήση

- ◆ Αν το χόρτο είναι πιο ψηλό από 10 εκ. περίπου, περάστε δύο φορές για να έχετε καλύτερο αποτέλεσμα. Πρώτα κόψτε στο μέγιστο ύψος κοπής και έπειτα χρησιμοποιήστε το χαμηλό ή μεσαίο ύψος κοπής.
- ◆ Για να πετύχετε το καλύτερο δυνατό αποτέλεσμα, κόβετε το χόρτο μόνο όταν είναι στεγνό.

Συντήρηση

Αυτό το μηχανήμα της Black & Decker έχει σχεδιαστεί για να λειτουργεί για μεγάλο χρονικό διάστημα με ελάχιστη συντήρηση. Η αδιάλειπτη και καινοπονητική λειτουργία της συσκευής εξαρτάται από τη φροντίδα και τον τακτικό καθαρισμό της.

- ◆ Να διατηρείται η συσκευή καθαρή και στεγνή.
- ◆ Να καθαρίζετε τακτικά τις σπές εξασρισμού με μια καθαρή, στεγνή βούρτσά.
- ◆ Να χρησιμοποιείτε τακτικά μια ξύστρα, όχι κοφτερή, για να αφαιρέσετε το χόρτο και τις ακαθαρσίες από το μηχανήμα.
- ◆ Για να καθαρίσετε το μηχανήμα, να χρησιμοποιείτε μόνο μαλακό σαπούνι και ένα υγρό πανάκι. Ποτέ μην αφήνετε οποιοδήποτε υγρό να μπει στο εσωτερικό του εργαλείου και ποτέ μην εισάγετε οποιοδήποτε μέρος του εργαλείου μέσα σε υγρό. Μην χρησιμοποιείτε αποξεστικά καθαριστικά ή υγρά καθαρισμού που περιέχουν διαλύτες.

Συντήρηση λεπίδας

- ◆ Να αφαιρείτε τακτικά από τη λεπίδα τα υπολείμματα ακαθαρσιών και χόρτου.
- ◆ Στην αρχή της εποχής ενασχόλησης με τη φροντίδα του κήπου, ελέγξτε προσεκτικά την κατάσταση της λεπίδας.
- ◆ Ακονίστε ή αντικαταστήστε τη λεπίδα εάν έχει στομώσει.
- ◆ Αν η λεπίδα εμφανίζει ζημιές ή φθορά, τοποθετήστε μια νέα λεπίδα όπως περιγράφεται παρακάτω.

Αντικατάσταση της λεπίδας (εικ. H)

Το δικό σας εξουσιοδοτημένο κατάστημα Black & Decker διαθέτει ανταλλακτικές λεπίδες.

- GR389: κωδ. καταλόγου A6389

Προειδοποίηση! Λάβετε τα εξής μέτρα ασφαλείας:

- ◆ Αποσυνδέστε το μηχανήμα από το ηλεκτρικό δίκτυο και περιμένετε μέχρι να σταματήσει η λεπίδα να περιστρέφεται πριν συνεχίσετε.
- ◆ Προσέξτε να μην κοπείτε. Χρησιμοποιήστε γάντια για βαριές εργασίες ή ένα πανί για να πιάσετε τη λεπίδα.
- ◆ Χρησιμοποιήστε μόνο την προβλεπόμενη ανταλλακτική λεπίδα.
- ◆ Το στροφέιο (17) δεν πρέπει να αφαιρείται για κανέναν λόγο.

Για να αντικαταστήσετε τη λεπίδα:

- ◆ Τοποθετήστε το μηχανήμα στο πλάι.
- ◆ Πιάστε τη λεπίδα (18) με το ένα χέρι.
- ◆ Χρησιμοποιήστε το παρεχόμενο κλειδί για να ξεβιδώσετε και να αφαιρέσετε το παξιμάδι της λεπίδας (19).
- ◆ Αντικαταστήστε τη λεπίδα.
- ◆ Τοποθετήστε πάλι τη ροδέλα (αν ήταν τοποθετημένη πριν) και το παξιμάδι.
- ◆ Σφίξτε καλά το παξιμάδι της λεπίδας.

Αντιμέτωπη προβλημάτων

Αν το μηχανήμα δείχνει να μη λειτουργεί κανονικά, ακολουθήστε τις παρακάτω οδηγίες. Αν, παρ' όλα αυτά, το πρόβλημά σας δεν λυθεί, επικοινωνήστε με το τοπικό εξουσιοδοτημένο σέρβις της Black & Decker.

Προειδοποίηση! Πριν προχωρήσετε, βγάλτε το φως από την πρίζα.

Το μοτέρ κάνει θόρυβο αλλά η λεπίδα δεν κινείται.

- ◆ Αφαιρέστε με προσοχή τυχόν εμπόδια από τη λεπίδα.

Δεν ακούγεται καθόλου θόρυβος και η λεπίδα δεν κινείται.

- ◆ Βεβαιωθείτε ότι έχουν συνδεθεί κανονικά τα καλώδια τροφοδοσίας.
- ◆ Ελέγξτε τις ηλεκτρικές ασφάλειες.

Διάθεση εργαλείων και περιβάλλον



Ξεχωριστή συλλογή. Αυτό το προϊόν δεν πρέπει να απορριφθεί με συνηθισμένα σπιτικά απορρίμματα.

Εάν κάποια μέρα διαπιστώσετε ότι το προϊόν σας Black & Decker χρειάζεται αντικατάσταση ή δεν σας χρησιμεύει πλέον, μην το απορρίψετε με τα σπιτικά απορρίμματα. Κάντε αυτό το προϊόν διαθέσιμο για ξεχωριστή συλλογή.



Η ξεχωριστή συλλογή χρησιμοποιημένων προϊόντων και συσκευασιών επιτρέπει την ανακύκλωση υλικών. Η επανάχρηση ανακυκλωμένων υλικών βοηθάει την προστασία του περιβάλλον και μειώνει την ζήτηση για πάντα υλικά.

Οι τοπικοί κανονισμοί μπορεί να παρέχουν ξεχωριστή συλλογή ηλεκτρικών προϊόντων από κατοικίες, δημοτικές τοποθεσίες απορριμμάτων ή από τον έμπορα όταν αγοράσατε το καινούργιο προϊόν.

Η Black & Decker δίνει τη δυνατότητα συλλογής και ανακύκλωσης των προϊόντων της που έχουν συμπληρώσει τη διάρκεια ζωής τους. Αν θέλετε να χρησιμοποιήσετε την εν λόγω υπηρεσία, επιστρέψτε το προϊόν σας σε οποιοδήποτε εξουσιοδοτημένο κέντρο επισκευών, όπου θα το παραλάβουν εκ μέρους σας.

Ενημερωθείτε για το πλησιέστερο κέντρο επισκευών της περιοχής σας, επικοινωνώντας με τα γραφεία της Black & Decker στη διεύθυνση που αναγράφεται στο εγχειρίδιο. Επίσης, για να πληροφορηθείτε τα εξουσιοδοτημένα κέντρα επισκευών της Black & Decker και τις λεπτομέρειες και τους αρμόδιους των υπηρεσιών που παρέχονται μετά την πώληση, μπορείτε να ανατρέξετε στο Διαδίκτυο στη διεύθυνση: www.2helpU.com

Τεχνικά χαρακτηριστικά

	GR 369 LM382	GR383	GR384 GR389
Τάση	V 230	230	230
Ισχύς εισόδου	W 1.200	1.300	1.400
Ταχύτητα άφορτου κίνησης	min ⁻¹ 2.700	2.700	2.700
Μήκος λεπίδας	mm 380	380	380
Βάρος	kg 14,5	14,5	14,5

Δήλωση συμμόρφωσης με την Ευρωπαϊκή Κοινότητα

GR369, GR383, GR384, GR389, LM382

H Black & Decker δηλώνει ότι τα προϊόντα αυτά συμμορφώνονται με:

98/37/EOK, 89/336/EOK, 73/23/EOK, EN 55014, EN 60335, EN 61000, 2000/14/EOK,

Χλοοκοπτικό μηχανήμα, L ≤ 50 cm, Παράρτημα VI, Αρ. 499 SNCH, L-5230 Sandweiler, Luxembourg

LpA (πίεση ήχου) 75 dB(A), LWA (ακουστική ισχύς) 88 dB(A), LWA (εγγυημένη) 96 dB(A), χειροβραχιονική δόνηση 1,5 m/s²

Kevin Hewitt
Διευθυντής Εξυπηρέτησης Πελατών
Spennymoor, County Durham DL16 6JG,
Αγγλία
1-8-2004

Εγγύηση

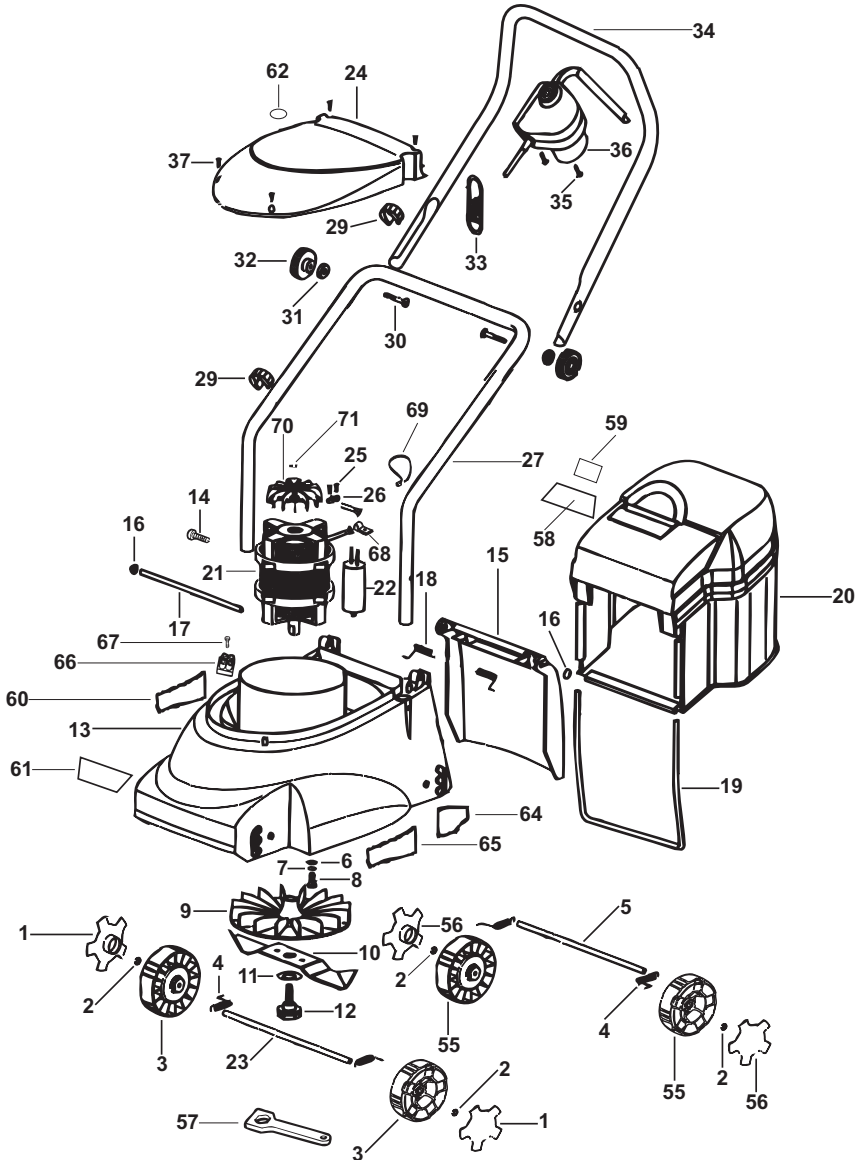
Η Black & Decker είναι σίγουρη για την ποιότητα των προϊόντων της και παρέχει σημαντική εγγύηση. Η παρούσα γραπτή εγγύηση αποτελεί πρόσθετο δικαίωμά σας και δεν ζημιώνει τα συνταγματικά σας δικαιώματα. Η εγγύηση ισχύει εντός της επικράτειας των Κρατών Μελών της Ευρωπαϊκής Ένωσης και της Ευρωπαϊκής Ζώνης Ελευθέρων Συναλλαγών.

Σε περίπτωση που κάποιο προϊόν της Black & Decker παρουσιάσει βλάβη εξαιτίας ελαττωματικών υλικών, ποιότητας εργασίας ή έλλειψης συμφωνίας με τις προδιαγραφές εντός 24 μηνών από την ημερομηνία αγοράς, η Black & Decker εγγυάται την αντικατάσταση των ελαττωματικών τμημάτων, την επισκευή προϊόντων που έχουν υποστεί εύλογη φθορά λόγω χρήσης ή την αντικατάσταση των προϊόντων προκειμένου να εξασφαλίσει την ελάχιστη ενόχληση στους πελάτες της, εκτός αν:

- Το προϊόν έχει χρησιμοποιηθεί σε εργασιακό, επαγγελματικό περιβάλλον ή αν έχει εννοικιαστεί
- Έχει γίνει εσφαλμένη χρήση του προϊόντος ή αν έχει παραμεληθεί
- Το προϊόν έχει υποστεί βλάβη από άλλα αντικείμενα, από ουσίες ή λόγω ατυχήματος
- Έχει γίνει προσπάθεια επισκευής από μη εξουσιοδοτημένα κέντρα επισκευών ή από προσωπικό που δεν ανήκει στο προσωπικό της Black & Decker

Για να ισχύσει η εγγύηση, πρέπει να υποβάλετε απόδειξη αγοράς στον πωλητή ή το εξουσιοδοτημένο κέντρο επισκευών. Ενημερωθείτε για το πλησιέστερο κέντρο επισκευών της περιοχής σας, επικοινωνώντας με τα γραφεία της Black & Decker στη διεύθυνση που αναγράφεται στο εγχειρίδιο. Επίσης, για να πληροφορηθείτε για τα εξουσιοδοτημένα κέντρα επισκευών της Black & Decker, τις λεπτομέρειες και τους αρμόδιους των υπηρεσιών που παρέχονται μετά την πώληση, μπορείτε να ανατρέξετε στο Διαδίκτυο στη διεύθυνση: www.2helpU.com

Παρακαλούμε να επισκεφτείτε την ιστοσελίδα μας www.blackanddecker.com για να καταχωρήσετε το νέο σας προϊόν Black & Decker και για να ενημερώνεστε για τα νέα προϊόντα και τις ειδικές προσφορές. Περισσότερες πληροφορίες σχετικά με τη μάρκα Black & Decker και τη σειρά προϊόντων μας θα βρείτε στη διεύθυνση www.blackanddecker.com



Australia	Black & Decker (Australia) Pty. Ltd. 20 Fletcher Road, Mooroolbark, Victoria, 3138	Tel. 03-8720 5100 Fax 03-9727 5940
België/Belgique	Black & Decker (Belgium) N.V. Campus Noord, Schaliënhoevedreef 20E 2800 Mechelen	Tel. 015 - 47 92 11 Fax 015 - 47 92 10
Danmark	Black & Decker Sluseholmen 2-4, 2450 København SV Internet: www.blackanddecker.dk	Tel. 70 20 15 15 Fax 36 94 49 01
Deutschland	Black & Decker GmbH Black & Decker Str. 40, D - 65510 Idstein	Tel. 06126/21 - 0 Fax 06126/21 29 80
Ελλάδα	Black & Decker (Ελλάς) Α.Ε. Στράβωνος 7 & Λεωφ. Βουλιαγμένης 159 166 74 Γλυφάδα - Αθήνα	Τηλ. 210 8981616 Φαξ 210 8983285 www.blackanddecker.gr
España	Black & Decker Ibérica, S.C.A. Parque de Negocios "Mas Blau" Edificio Muntadas, c/Bergadá, 1, Of. A6 08820 El Prat de Llobregat (Barcelona)	Tel. 934 797 400 Fax 934 797 419
France	Black & Decker (France) S.A.S. B.P. 21, 69571 Dardilly Cédex	Tel. 04 72 20 39 20 Fax 04 72 20 39 00
Helvetia	RÖFO AG Gewerbezone Seeblick 3213 Kleinbödingen	Tel. 026-6749391 Fax 026-6749394
Italia	Black & Decker Italia SpA Viale Elvezia 2 20052 Monza (MI)	Tel. 039-23871 Fax 039-2387592/2387594 Numero verde 800-213935
Nederland	Black & Decker Benelux Joulehof 12, 4622 RG Bergen op Zoom	Tel. 0164 - 283000 Fax 0164 - 283100
New Zealand	Black & Decker 81 Hugo Johnston Drive Penrose, Auckland, New Zealand	Tel. 09 579 7600 Fax 09 579 8200
Norge	Black & Decker (Norge) A/S Postboks 4814, Nydalen, 0422 Oslo Internet: www.blackanddecker.no	Tif. 22 90 99 00 Fax 22 90 99 01
Österreich	Black & Decker Vertriebsges.m.b.H Erlaaerstraße 165, 1231 Wien	Tel. 01 66116-0 Fax 01 66116-14
Portugal	Black & Decker Rua Egas Moniz 173 S. João do Estoril 2766-651 Estoril	Tel. 214667500 Fax 214667575
Suomi	Black & Decker Oy Keilasatama 3, 02150 Espoo Black & Decker Oy, Kägelhamnen 3, 02150 Esbo	Puh.: 010 400 430 Faksi: (09) 2510 7100 Tel: 010 400 430 Fax: (09) 2510 7100
Sverige	Black & Decker AB Fabriksg. 7, 412 50 Göteborg	Tel: 031-68 60 60 Fax: 031-68 60 80
Türkiye	İntratek Mühendislik ve Dış Tic. A.Ş. Ortaklar Cad. No:19/2 80290 Mecidiyeköy / İstanbul	Tel. 0212 211 22 10 Faks 0212 266 33 03
United Kingdom	Black & Decker 210 Bath Road Slough, Berkshire SL1 3YD	Tel. 01753 511234 Fax 01753 551155 Helpline 01753 574277
Middle East & Africa	Black & Decker (Overseas) A.G. PB 5420, Dubai, United Arab Emirates	Tel. +971 4 2826464 Fax +971 4 2826466

Dealer address
Händleradresse
Cachet du revendeur
Indirizzo del rivenditore
Adres van de dealer
Dirección del detallista
Morada do revendedor
Äterförsäljarens adress
Forhandlerens adresse
Forhandler adresse
Jälleenmyyjän osoite
Διεύθυνση αντιπροσώπου

Date of purchase
Kaufdatum
Date d'achat
Data d'acquisto
Aankoopdatum
Fecha de compra
Data de compra
Inkõpsdatum
Innkjøpsdato
Indkøbsdato
Ostapätivä
Ημερομηνία αγοράς

◆ Name ◆ Nom ◆ Nome
◆ Naam ◆ Nombre ◆ Nome ◆ Namn
◆ Navn ◆ Navn ◆ Nimi ◆ Ovojna:

◆ Address ◆ Adresse ◆ Adresse ◆ Indirizzo ◆
Adres ◆ Dirección ◆ Morada ◆ Address ◆
Adresse ◆ Adresse ◆ Osoite ◆ Διεύθυνση:

◆ Town ◆ Ort ◆ Ville ◆ Città ◆ Plaats
◆ Ciudad ◆ Localidade ◆ Ort ◆ By ◆ By
◆ Paikkakunta ◆ Πόλη:

◆ Postal code ◆ Postleitzahl ◆ Code postal ◆
Codice postale ◆ Postcode
◆ Código ◆ Código postal ◆ Postnr.
◆ Postnr. ◆ Postnr. ◆ Postnummero
◆ Κωδικός

◆ Is this tool a gift? ◆ Ist dieses Gerät ein
Geschenk? ◆ S'agit-il d'un cadeau? ◆ Si tratta
di un regalo? ◆ Kreeg u de machine als cadeau?
◆ ¿Ha recibido usted esta herramienta como
regalo? ◆ Reçebeu esta ferramenta como
presente? ◆ Är verktyget en gåva?
◆ Er verktoyet en gave? ◆ Er verktojet en gave?
◆ Onko kone lahja? ◆ Το εργαλείο είναι δώρο?

◆ Yes ◆ Ja ◆ Oui ◆ Si ◆ Ja ◆ Si ◆
 ◆ Sim ◆ Ja ◆ Ja ◆ Ja ◆ Kyllä ◆ Nci
 ◆ No ◆ Nein ◆ Non ◆ No ◆ Nee
◆ No ◆ Não ◆ Nej ◆ Nei ◆ Nej
◆ Ei ◆ Oxi

◆ Is this tool your first purchase? ◆ Ist dieses
Gerät ein Erstkauf? ◆ Est-ce un 1er achat? ◆
Questo prodotto è il suo primo acquisto? ◆ Is
deze machine uw eerste aankoop? ◆ ¿Es esta
herramienta la primera de este tipo?
◆ Esta ferramenta é a primeira compra? ◆
Är detta ditt första B&D-verktyg? ◆ Er dette ditt
første B&D verktoy? ◆ Er dette ditt første B&D
verktøj? ◆ Onko tämä ensimmäinen B&D-

koneesi? ◆ Είναι το εργαλείο αυτό η
πρώτη σας αγορά?

◆ Yes ◆ Ja ◆ Oui ◆ Si ◆ Ja ◆ Si
◆ Sim ◆ Ja ◆ Ja ◆ Ja ◆ Kyllä ◆ Nci
 ◆ No ◆ Nein ◆ Non ◆ No ◆ Nee
◆ No ◆ Não ◆ Nej ◆ Nei ◆ Nej
◆ Ei ◆ Oxi

◆ Dealer address ◆ Händleradresse
◆ Cachet du revendeur ◆ Indirizzo del
rivenditore ◆ Adres van de dealer
◆ Dirección del detallista ◆ Morada do
revendedor ◆ Äterförsäljarens adress
◆ Forhandlerens adresse ◆ Forhandler adresse
◆ Jälleenmyyjän osoite
◆ Διεύθυνση αντιπροσώπου

Cat. no.:



- ◆ GUARANTEE CARD
- ◆ GARANTIEKAART
- ◆ GARANTI KORT
- ◆ GARANTIEKARTE
- ◆ TARJETA DE GARANTÍA
- ◆ GARANTI KORT
- ◆ CARTE DE GARANTIE
- ◆ CARTÃO DE GARANTIA
- ◆ TAKUKUKORTTI
- ◆ TAGLIANDO DI GARANZIA
- ◆ GARANTIBEVIS
- ◆ KAPTA EFTYHSHZ



English

Please complete this section immediately after the purchase of your tool and send it to Black & Decker in your country. If you live in Australia or New Zealand, please register by using the alternative guarantee card supplied.

Deutsch

Bitte schneiden Sie diesen Abschnitt ab, stecken ihn in einen frankierten Umschlag und schicken ihn an die Black & Decker Adresse Ihres Landes.

Français

Découpez cette partie et envoyez-la sous enveloppe timbrée à l'adresse de Black & Decker dans votre pays, ceci immédiatement après votre achat.

Italiano

Per favore ritagliate questa parte, inseritela in una busta con francobollo e spediteola subito dopo l'acquisto del prodotto all'indirizzo della Black & Decker nella vostra nazione.

Nederlands

Knip dit gedeelte uit en zend het direct na aankoop in een gefrankeerde, geaddresseerde envelop naar het adres van Black & Decker in uw land.

Español

Después de haber comprado su herramienta envíe usted, por favor, esta tarjeta a la central de Black & Decker en su país.

Português

Por favor, recorte esta parte, coloque-a num envelope selado e endereçado e envie-o logo após a compra do seu produto para o endereço da Black & Decker do seu país.

Svenska

Vår vänlig klipp ur denna del och sänd den i ett frankerat kuvert till Black & Deckers adress i Ditt land.

Norsk

Vennligst klipp ut denne delen umiddelbart etter du har pakket ut ditt produkt og legg det i en adressert konvolutt til Black & Decker (Norge) AS.

Dansk

Venligst klip denne del ud og send frankeret til Black & Decker i dit land.

Suomi

Leikkaa irti tämä osa, laita se kuoreen ja postita kuori paikalliseen Black & Decker osoitteeseen.

Ελληνικά

Τιποκόσω κόλλετε αυτό το κομμάτι και ταχυδωμνήστε το queώωω μετá τμν αγορά του ποώώωωωωω ωωω στμν óειóωωωω της Black & Decker στμν Ελλáδωω.