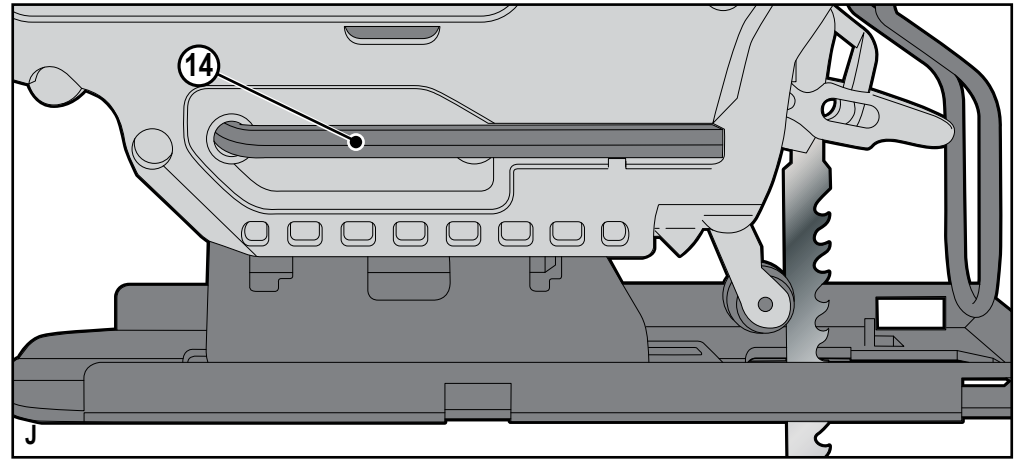
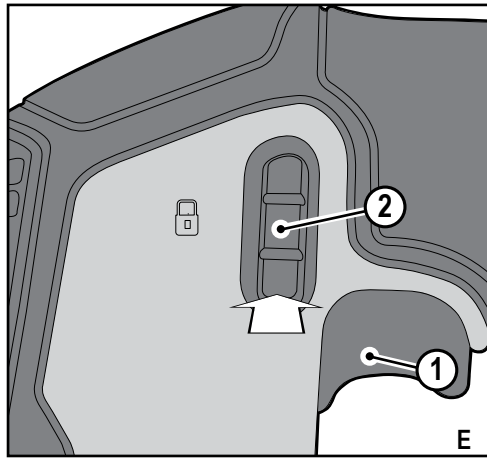
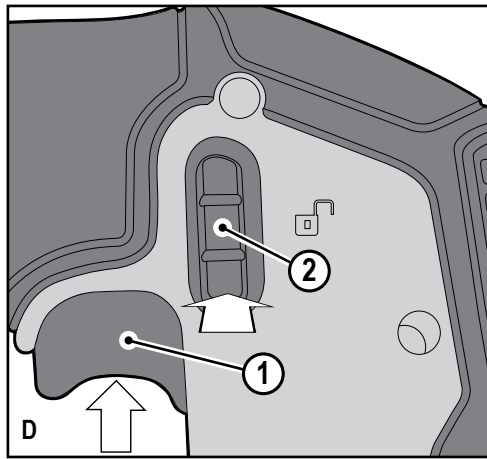
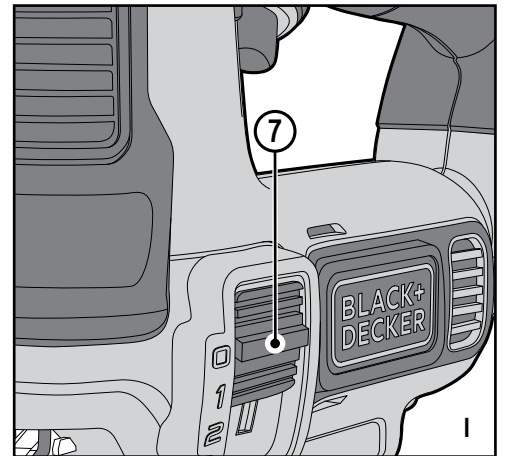
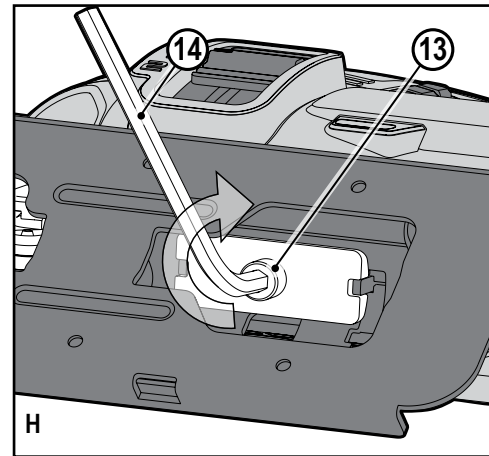
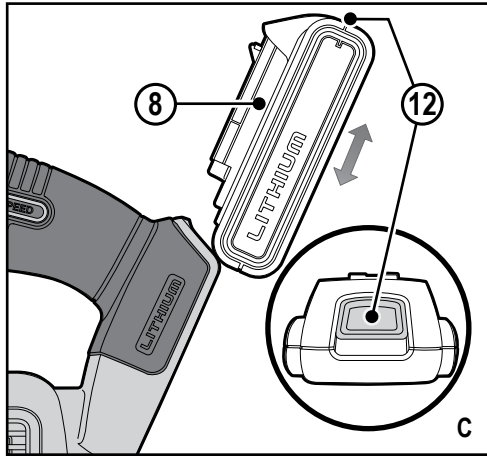
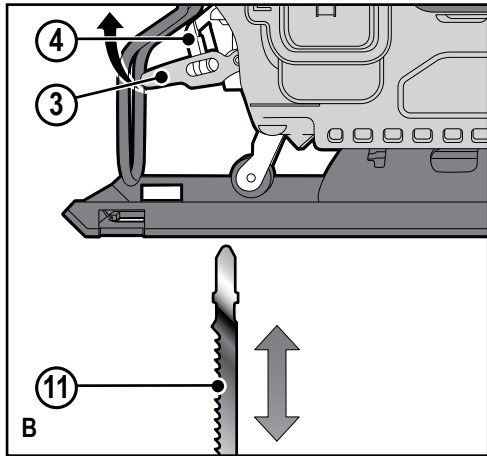
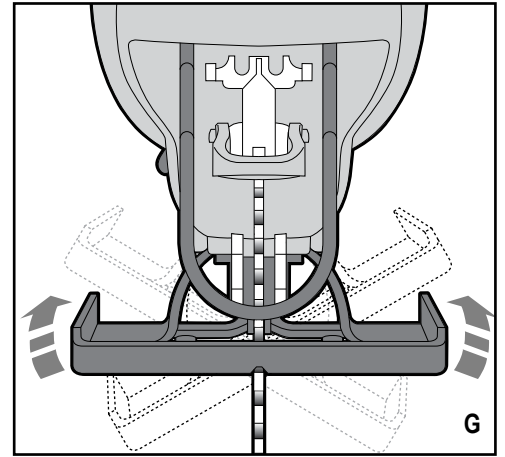
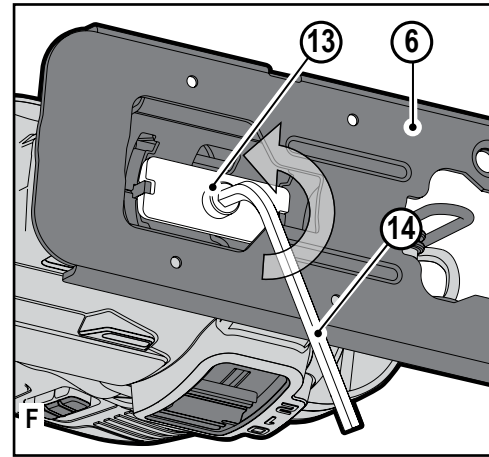
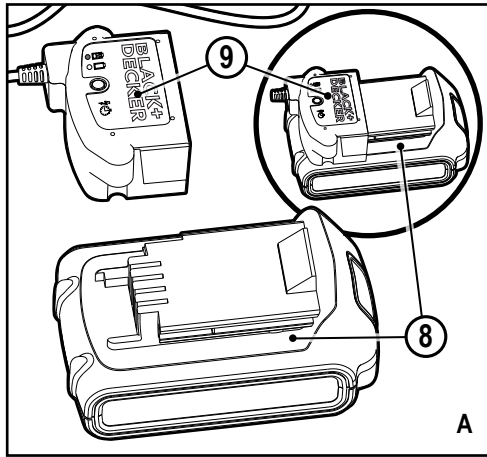
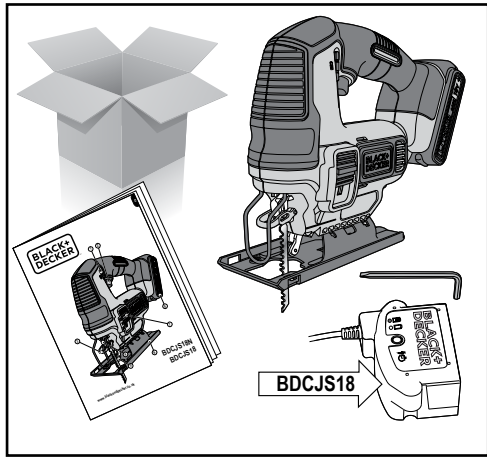


www.blackanddecker.eu

BDCJS18

EN
DE
FR
IT
NL
ES
PT
SV
NO
DK
FI
EL



Intended use

Your BLACK+DECKER™ BDCJS18 jigsaw has been designed for sawing wood, plastics and sheet metal. This tool is intended for consumer use only.

Safety instructions

General power tool safety warnings



Warning! Read all safety warnings and all instructions. Failure to follow the warnings and instructions listed below may result in electric shock, fire and/or serious injury.

Save all warnings and instructions for future reference. The term "power tool" in all of the warnings listed below refers to your mains operated (corded) power tool or battery operated (cordless) power tool.

1. Work area safety

- a. **Keep work area clean and well lit.** Cluttered or dark areas invite accidents.
- b. **Do not operate power tools in explosive atmospheres, such as in the presence of flammable liquids, gases or dust.** Power tools create sparks which may ignite the dust or fumes.
- c. **Keep children and bystanders away while operating a power tool.** Distractions can cause you to lose control.

2. Electrical safety

- a. **Power tool plugs must match the outlet. Never modify the plug in any way. Do not use any adapter plugs with earthed (grounded) power tools.** Unmodified plugs and matching outlets will reduce risk of electric shock.
- b. **Avoid body contact with earthed or grounded surfaces such as pipes, radiators, ranges and refrigerators.** There is an increased risk of electric shock if your body is earthed or grounded.
- c. **Do not expose power tools to rain or wet conditions.** Water entering a power tool will increase the risk of electric shock.
- d. **Do not abuse the cord. Never use the cord for carrying, pulling or unplugging the power tool. Keep cord away from heat, oil, sharp edges or moving parts.** Damaged or entangled cords increase the risk of electric shock.
- e. **When operating a power tool outdoors, use an extension cord suitable for outdoor use.** Use of a cord suitable for outdoor use reduces the risk of electric shock.
- f. **If operating a power tool in a damp location is unavoidable, use a residual current device (RCD) protected supply.** Use of an RCD reduces the risk of electric shock.

3. Personal safety

- a. **Stay alert, watch what you are doing and use common sense when operating a power tool. Do not use a power tool while you are tired or under the influence of drugs, alcohol or medication.** A moment of inattention while operating power tools may result in serious personal injury.
- b. **Use personal protective equipment. Always wear eye protection.** Protective equipment such as dust mask, non-skid safety shoes, hard hat, or hearing protection used for appropriate conditions will reduce personal injuries.
- c. **Prevent unintentional starting. Ensure the switch is in the off-position before connecting to power source and/or battery pack, picking up or carrying the tool.** Carrying power tools with your finger on the switch or energising power tools that have the switch on invites accidents.
- d. **Remove any adjusting key or wrench before turning the power tool on.** A wrench or a key left attached to a rotating part of the power tool may result in personal injury.
- e. **Do not overreach. Keep proper footing and balance at all times.** This enables better control of the power tool in unexpected situations.
- f. **Dress properly. Do not wear loose clothing or jewellery. Keep your hair, clothing and gloves away from moving parts.** Loose clothes, jewellery or long hair can be caught in moving parts.
- g. **If devices are provided for the connection of dust extraction and collection facilities, ensure these are connected and properly used.** Use of dust collection can reduce dust-related hazards.

4. Power tool use and care

- a. **Do not force the power tool. Use the correct power tool for your application.** The correct power tool will do the job better and safer at the rate for which it was designed.
- b. **Do not use the power tool if the switch does not turn it on and off.** Any power tool that cannot be controlled with the switch is dangerous and must be repaired.
- c. **Disconnect the plug from the power source and/or the battery pack from the power tool before making any adjustments, changing accessories, or storing power tools.** Such preventive safety measures reduce the risk of starting the power tool accidentally.
- d. **Store idle power tools out of the reach of children and do not allow persons unfamiliar with the power tool or these instructions to operate the power tool.** Power tools are dangerous in the hands of untrained users.
- e. **Maintain power tools. Check for misalignment or binding of moving parts, breakage of parts and any other condition that may affect the power tools**

operation. If damaged, have the power tool repaired before use. Many accidents are caused by poorly maintained power tools.

- f. **Keep cutting tools sharp and clean.** Properly maintained cutting tools with sharp cutting edges are less likely to bind and are easier to control.
 - g. **Use the power tool, accessories and tool bits etc. in accordance with these instructions, taking into account the working conditions and the work to be performed.** Use of the power tool for operations different from those intended could result in a hazardous situation.
5. **Battery tool use and care**
 - a. **Recharge only with the charger specified by the manufacturer.** A charger that is suitable for one type of battery pack may create a risk of fire when used with another battery pack.
 - b. **Use power tools only with specifically designated battery packs.** Use of any other battery packs may create a risk of injury and fire.
 - c. **When battery pack is not in use, keep it away from other metal objects, like paper clips, coins, keys, nails, screws, or other small metal objects, that can make a connection from one terminal to another.** Shorting the battery terminals together may cause burns or a fire.
 - d. **Under abusive conditions, liquid may be ejected from the battery; avoid contact. If contact accidentally occurs, flush with water. If liquid contacts eyes, additionally seek medical help.** Liquid ejected from the battery may cause irritation or burns.

6. Service

- a. **Have your power tool serviced by a qualified repair person using only identical replacement parts.** This will ensure that the safety of the power tool is maintained.

Additional power tool safety warnings



Warning! Additional safety warnings for jigsaws and reciprocating saws

- ◆ **Hold power tool by insulated gripping surfaces, when performing an operation where the cutting accessory may contact hidden wiring.** Cutting accessory contacting a "live" wire may make exposed metal parts of the power tool "live" and could give the operator an electric shock.
- ◆ **Use clamps or another practical way to secure and support the workpiece to a stable platform.** Holding the work by hand or against your body leaves it unstable and may lead to loss of control.

- ◆ **Keep hands away from cutting area.** Never reach underneath the work piece any reason. Do not insert fingers or thumb into the vicinity of the reciprocating blade and blade clamp. Do not stabilize the saw by gripping the shoe.
- ◆ **Keep blades sharp.** Dull or damaged blades may cause the saw to swerve or stall under pressure. Always use the appropriate type of saw blade for the workpiece material and type of cut.
- ◆ **When cutting pipe or conduit, make sure that they are free from water, electrical wiring, etc.**
- ◆ **Do not touch the workpiece or the blade immediately after operating the tool.** They can become very hot.
- ◆ **Be aware of hidden hazards, before cutting into walls, floors or ceilings, check for the location of wiring and pipes.**
- ◆ **The blade will continue to move after releasing the switch.** Always switch the tool off and wait for the saw blade to come to a complete standstill before putting the tool down.

Warning! Contact with, or inhalation of dusts arising from cutting applications may endanger the health of the operator and possible bystanders. Wear a dust mask specifically designed for protection against dust and fumes and ensure that persons within or entering the work area are also protected.

- ◆ The intended use is described in this instruction manual.
- ◆ The use of any accessory or attachment or performance of any operation with this tool other than those recommended in this instruction manual may present a risk of personal injury and/or damage to property.

Safety of others

- ◆ This tool is not intended for use by persons (including children) with reduced physical, sensory or mental capabilities, or lack of experience and knowledge, unless they have been given supervision or instruction concerning use of the appliance by a person responsible for their safety.
- ◆ Children should be supervised to ensure that they do not play with the appliance.

Residual risks

Additional residual risks may arise when using the tool which may not be included in the enclosed safety warnings. These risks can arise from misuse, prolonged use etc. Even with the application of the relevant safety regulations and the implementation of safety devices, certain residual risks can not be avoided. These include:

- ◆ Injuries caused by touching any rotating/moving parts.
- ◆ Injuries caused when changing any parts, blades or accessories.

- ◆ Injuries caused by prolonged use of a tool. When using any tool for prolonged periods ensure you take regular breaks.
- ◆ Impairment of hearing.
- ◆ Health hazards caused by breathing dust developed when using your tool (example:- working with wood, especially oak, beech and MDF.)

Vibration

The declared vibration emission values stated in the technical data and the declaration of conformity have been measured in accordance with a standard test method provided by EN 60745 and may be used for comparing one tool with another. The declared vibration emission value may also be used in a preliminary assessment of exposure.

Warning! The vibration emission value during actual use of the power tool can differ from the declared value depending on the ways in which the tool is used. The vibration level may increase above the level stated.

When assessing vibration exposure to determine safety measures required by 2002/44/EC to protect persons regularly using power tools in employment, an estimation of vibration exposure should consider, the actual conditions of use and the way the tool is used, including taking account of all parts of the operating cycle such as the times when the tool is switched off and when it is running idle in addition to the trigger time.

Labels on tool

The following pictograms along with the date code are shown on the tool:



Warning! To reduce the risk of injury, the user must read the instruction manual.

Additional safety instructions for batteries and chargers

Batteries

- ◆ Never attempt to open for any reason.
- ◆ Do not expose the battery to water.
- ◆ Do not store in locations where the temperature may exceed 40 °C.
- ◆ Charge only at ambient temperatures between 10 °C and 40 °C.
- ◆ Charge only using the charger provided with the tool.
- ◆ When disposing of batteries, follow the instructions given in the section "Protecting the environment".



Do not attempt to charge damaged batteries.

Chargers

- ◆ Use your BLACK+DECKER charger only to charge the battery in the tool with which it was supplied. Other batteries could burst, causing personal injury and damage.
- ◆ Never attempt to charge non-rechargeable batteries.
- ◆ Have defective cords replaced immediately.
- ◆ Do not expose the charger to water.
- ◆ Do not open the charger.
- ◆ Do not probe the charger.



The charger is intended for indoor use only.



Read the instruction manual before use.

Electrical safety



Your charger is double insulated; therefore no earth wire is required. Always check that the mains voltage corresponds to the voltage on the rating plate. Never attempt to replace the charger unit with a regular mains plug.

- ◆ If the supply cord is damaged, it must be replaced by the manufacturer or an authorised BLACK+DECKER Service Centre in order to avoid a hazard.

Features

The following symbols along with the date code are shown on the tool:

1. Variable speed trigger switch
2. Lock-off button
3. Saw blade locking lever
4. Blade clamp
5. Blade support roller
6. Shoe plate
7. Cutting action button

fig. A (BDCJS18 only)

This tool includes some or all of the following features.

8. Battery
9. Battery Charger

Assembly

Warning! Before assembly, remove the battery from the tool and make sure that the saw blade has stopped. Used saw blades may be hot.

Fitting and removing the saw blade (fig. B)

- ◆ Hold the saw blade (11) with the teeth facing forward.
- ◆ Lift the saw blade locking lever (3) upwards.
- ◆ Insert the shank of the blade fully into the blade clamp (4) as far as it will go.
- ◆ Release the lever.

- ◆ To remove the saw blade (11), lift the saw blade locking lever (3) upwards and pull the blade out.

Fitting and removing the battery (fig. C)

- ◆ To fit the battery (8), line it up with the receptacle on the tool. Slide the battery into the receptacle and push until the battery snaps into place.
- ◆ To remove the battery, push the release button (12) while at the same time pulling the battery out of the receptacle.

Use

Warning! Let the tool work at its own pace. Do not overload.

Warning! Never use the tool when the saw shoe is loose or removed.

Charging the battery (fig. A)

The battery needs to be charged before first use and whenever it fails to produce sufficient power on jobs that were easily done before. The battery may become warm while charging; this is normal and does not indicate a problem.

Warning! Do not charge the battery at ambient temperatures below 10 °C or above 40 °C. Recommended charging temperature: approx. 24 °C.

Note: The charger will not charge a battery if the cell temperature is below approximately 10 °C or above 40 °C. The battery should be left in the charger and the charger will begin to charge automatically when the cell temperature warms up or cools down.

- ◆ To charge the battery (8), insert it into the charger (9). The battery will only fit into the charger in one way. Do not force. Be sure that the battery is fully seated in the charger.
- ◆ Plug in the charger and switch on at the mains. The charging indicator will blink. The charge is complete when the charging indicator switches to continuously on.
- ◆ The charger and the battery can be left connected indefinitely.
- ◆ Charge discharged batteries within 1 week. Battery life will be greatly diminished if stored in a discharged state.

Leaving the battery in the charger

The charger and battery pack can be left connected with the LED glowing indefinitely. The charger will keep the battery pack fresh and fully charged.

Charger diagnostics

If the charger detects a weak or damaged battery, the charging indicator will flash red at a fast rate. Proceed as follows:

- ◆ Re-insert the battery (8).

- ◆ If the charging indicators continues flashing red at a fast rate, use a different battery to determine if the charging process works properly.
- ◆ If the replaced battery charges correctly, the original battery is defective and should be returned to a service centre for recycling.
- ◆ If the new battery gives the same indication as the original battery, take the charger to be tested at an authorised services centre.

Note: It may take as long as 30 minutes to determine that the battery is defective. If the battery is too hot or too cold, the LED will alternately blink red, fast and slow, one flash at each speed and repeat.

Switching on and off (fig. D & E)

- ◆ To switch on, slide the lock off switch (2) to the left then pull and hold the variable speed trigger switch (1).
- ◆ To switch off, release the trigger switch (1).

Warning! Do not switch the tool on or off while under load.

Warning! Always slide the lock off switch (2) to the right, the locked position when the tool is not in use.

Variable speed control

The variable speed on/off switch offers a choice of speeds for greatly improved cutting rates in various materials.

- ◆ The speed is determined by the amount the trigger switch (1) is pulled.

Bevel cutting (fig. F, G & H)

The shoe plate can be set to a left or right bevel angle of 22.5° or 45°.

To set the bevel angle:

- ◆ Loosen the shoe retaining bolt (13) with the hex key provided (14) to unlock the shoe plate (6).
- ◆ Slide the shoe plate (6) forward to release it from the 0° detent.
- ◆ Rotate the shoe plate to the desired bevel angle (fig. G).
- ◆ Slide the shoe plate backwards to engage the left or right detent.
- ◆ Tighten the shoe retaining bolt (13) with the hex key provided (14) to lock the shoe plate (6) in the required position.

Note: The shoe can be beveled to the left or to the right and has detents at 22.5° and 45°.

Cutting action (fig. I)

This jig saw is equipped with three cutting actions, two orbital and one straight. Orbital action has a more aggressive blade motion and is designed for cutting in soft materials like wood or plastic. Orbital action provides a faster cut, but with a less smooth cut across the material. In orbital action, the blade

moves forward during the cutting stroke in addition to the up and down motion.

Warning! Metal or hardwoods should never be cut in orbital action.

- ◆ Slide the cutting action button (7) between the three cutting positions: 0, 1 and 2.
- ◆ Position 0 is for straight cutting.
- ◆ Positions 1 and 2 are for orbital cutting.
- ◆ The aggressiveness of the cut increases as the lever is adjusted from one to two, with two being the most aggressive cut.

Sawing

- ◆ Always hold the tool with both hands.
- ◆ Let the blade run freely for a few seconds before starting the cut.
- ◆ Apply only a gentle pressure to the tool while performing the cut.
- ◆ If possible, work with the shoe plate (6) pressed against the workpiece. This will improve tool control and reduce tool vibration, as well as prevent the blade from being damaged.

Hints for optimum use

General

- ◆ Use a high speed for wood, a medium speed for aluminium and PVC and a low speed for metals other than aluminium.

Sawing laminates

As the saw blade cuts on the upward stroke, splintering may occur on the surface closest to the shoe plate.

- ◆ Use a fine-tooth saw blade.
- ◆ Saw from the back surface of the workpiece.
- ◆ To minimise splintering, clamp a piece of scrap wood or hardboard to both sides of the workpiece and saw through this sandwich.

Sawing metal

Be aware that sawing metal takes much more time than sawing wood.

- ◆ Use a saw blade suitable for sawing metal. Use a finetooth saw blade for ferrous metals and a coarser saw blade for non-ferrous metals.
- ◆ When cutting thin sheet metal, clamp a piece of scrap wood to the back surface of the workpiece and cut through this sandwich.
- ◆ Spread a film of oil along the intended line of cut.

Accessories

The performance of your tool depends on the accessory used. BLACK+DECKER accessories are engineered to high quality

standards and designed to enhance the performance of your tool. By using these accessories you will get the very best from your tool.

This tool is suitable both for U-shank and T-shank saw blades.

Maintenance

Your tool has been designed to operate over a long period of time with a minimum of maintenance. Continuous satisfactory operation depends upon proper tool care and regular cleaning.

Warning! Before performing any maintenance, switch off and unplug the tool.

- ◆ Regularly clean the ventilation slots in your tool and charger using a soft brush or dry cloth.
- ◆ Regularly clean the motor housing using a damp cloth. Do not use any abrasive or solvent-based cleaner.
- ◆ Occasionally apply a drop of oil to the axle of the blade support roller (5).

Mains plug replacement (U.K. & Ireland only)

If a new mains plug needs to be fitted:

- ◆ Safely dispose of the old plug.
- ◆ Connect the brown lead to the live terminal in the new plug.
- ◆ Connect the blue lead to the neutral terminal.

Warning! No connection is to be made to the earth terminal. Follow the fitting instructions supplied with good quality plugs. Recommended fuse: 5 A.

Protecting the environment



Separate collection. Products and batteries marked with this symbol must not be disposed of with normal household waste.

Products and batteries contain materials that can be recovered or recycled reducing the demand for raw materials. Please recycle electrical products and batteries according to local provisions. Further information is available at www.2helpU.com

Technical Data

BDCJS18 H1		
Voltage	V _{dc}	18
No-load speed	min ⁻¹	0-2500
Stroke length	mm	19
Max depth of cut:		
Wood	mm	55
Steel	mm	8
Aluminium	mm	20
Weight	Kg	1.87

Guarantee

Black & Decker is confident of the quality of its products and offers consumers a 24 month guarantee from the date of purchase. This guarantee is in addition to and in no way prejudices your statutory rights. The guarantee is valid within the territories of the Member States of the European Union and the European Free Trade Area.

To claim on the guarantee, the claim must be in accordance with Black & Decker Terms and Conditions and you will need to submit proof of purchase to the seller or an authorised repair agent. Terms and conditions of the Black&Decker 2 year guarantee and the location of your nearest authorised repair agent can be obtained on the Internet at www.2helpU.com, or by contacting your local Black & Decker office at the address indicated in this manual.

Please visit our website www.blackanddecker.co.uk to register your new Black & Decker product and receive updates on new products and special offers.

Charger		905902**/N4940**	905998**/906349**
Input voltage	V _{AC}	100-240	220-240
Output voltage	V _{DC}	8-20	8-20
Current	mA	400	1000
Approx. charge time	Hours	3-11	1.5-5

Battery		BL2018*	BL2518*	BL1518*	BL4018
Voltage	V _{DC}	18	18	18	18
Capacity	Ah	2.0	2.5	1.5	4.0
Type		Li-Ion	Li-Ion	Li-Ion	Li-Ion

Level of sound pressure according to EN60745:	
L _{PA} (sound pressure)	84.5 dB(A), Uncertainty (K) 3 dB(A)
L _{WA} (sound power)	95.5 dB(A), Uncertainty (K) 3 dB(A)

Vibration total values (triax vector sum) according to EN 60745:	
Cutting boards (a _{h,b})	6 m/s ² , uncertainty (K) 1.5 m/s ²
Cutting sheet metal (a _{h,v})	4.3 m/s ² , uncertainty (K) 1.5 m/s ²

EC declaration of conformity

MACHINERY DIRECTIVE



Cordless Jigsaw - BDCJS18

Black & Decker declares that these products described under "technical data" are in compliance with:
EN60745-1:2009+A11:2010, EN60745-2-11:2010

These products also comply with Directive 2006/42/EC, 2014/30/EU and 2011/65/EU.

For more information, please contact Black & Decker at the following address or refer to the back of the manual.

The undersigned is responsible for compilation of the technical file and makes this declaration on behalf of Black & Decker.

R.Laverick
Director of Engineering
Black & Decker Europe, 210 Bath Road, Slough,
Berkshire, SL1 3YD
United Kingdom
19/10/2018

Verwendungszweck

Ihre BLACK+DECKER™-Stichsäge BDCJS18 wurde für das Sägen von Holz, Kunststoff und Blech entworfen. Dieses Gerät ist nicht für den gewerblichen Einsatz bestimmt.

Sicherheitshinweise

Allgemeine Sicherheitswarnhinweise für Elektrowerkzeuge



Warnung! Lesen Sie alle Sicherheitswarnhinweise und alle Anweisungen. Das Nichtbeachten der unten aufgeführten Warnhinweise und Anweisungen kann zu elektrischem Schlag, Brand und/oder schweren Verletzungen führen.

Bewahren Sie alle Warnhinweise und Anweisungen zum späteren Nachschlagen auf. Der Begriff "Elektrowerkzeug" in den unten aufgeführten Warnhinweisen bezieht sich auf Ihr netzbetriebenes (kabelgebundenes) Elektrowerkzeug oder auf Ihr akkubetriebenes (kabelloses) Elektrowerkzeug.

1. Sicherheit im Arbeitsbereich

- Halten Sie den Arbeitsbereich sauber und gut ausgeleuchtet.** Unaufgeräumte oder dunkle Bereiche begünstigen Unfälle.
- Betreiben Sie Elektrowerkzeuge nicht in explosionsgefährdeten Umgebungen, in denen sich z. B. brennbare Flüssigkeiten, Gase oder Staub befinden.** Elektrowerkzeuge erzeugen Funken, die den Staub oder die Dämpfe entzünden können.
- Halten Sie Kinder und Zuschauer fern, während Sie ein Elektrowerkzeug betreiben.** Ablenkung kann dazu führen, dass Sie die Kontrolle über das Gerät verlieren.

2. Elektrische Sicherheit

- Der Stecker des Elektrowerkzeugs muss in die Steckdose passen. Ändern Sie niemals den Stecker in irgendeiner Form. Verwenden Sie keinerlei Adapterstecker an geerdeten Elektrogeräten.** Unveränderte Stecker und passende Steckdosen mindern die Gefahr eines elektrischen Schlages.
- Vermeiden Sie Körperkontakt mit geerdeten Flächen, wie Rohre, Radiatoren, Herde und Kühlgeräte.** Es besteht eine erhöhte Gefahr für einen elektrischen Schlag, wenn Ihr Körper geerdet ist.
- Setzen Sie Elektrowerkzeuge keinem Regen oder feuchter Umgebung aus.** Wenn Wasser in das Elektrogerät eindringt, erhöht sich die Gefahr eines elektrischen Schlages.
- Überlasten Sie das Kabel nicht. Verwenden Sie niemals das Kabel, um das Elektrogerät zu tragen oder durch Ziehen vom Netz zu trennen. Halten Sie**

das Kabel fern von Hitze, Öl, scharfen Kanten oder beweglichen Teilen. Beschädigte oder verhedderte Kabel erhöhen die Gefahr eines elektrischen Schlages.

- Wenn Sie ein Elektrowerkzeug im Freien betreiben, verwenden Sie ein für den Außeneinsatz geeignetes Verlängerungskabel.** Die Verwendung von für den Außeneinsatz geeigneten Kabeln mindert die Gefahr eines elektrischen Schlages.
 - Wenn der Betrieb eines Elektrowerkzeugs in feuchter Umgebung unumgänglich ist, verwenden Sie eine durch einen Fehlerstromschutzschalter (FI-Schalter oder RCD) geschützte Stromversorgung.** Der Einsatz eines Fehlerstromschutzschalters mindert die Gefahr eines elektrischen Schlages.
- ### 3. Persönliche Sicherheit
- Seien Sie aufmerksam, achten Sie darauf, was Sie tun, und gehen Sie mit Vernunft an die Arbeit mit einem Elektrowerkzeug. Benutzen Sie kein Elektrowerkzeug, wenn Sie müde sind oder unter dem Einfluss von Drogen, Alkohol oder Medikamenten stehen.** Ein Moment der Unachtsamkeit beim Betrieb eines Elektrogerätes kann zu schweren Verletzungen führen.
 - Tragen Sie persönliche Schutzausrüstung. Tragen Sie immer einen Augenschutz.** Das Tragen den Umständen entsprechender persönlicher Schutzausrüstung, wie Staubmaske, rutschfeste Sicherheitsschuhe, Schutzhelm oder Gehörschutz, verringert das Risiko von Verletzungen.
 - Vermeiden Sie unbeabsichtigtes Starten. Vergewissern Sie sich, dass der Schalter in der AUS-Position ist, bevor Sie das Gerät an die Stromversorgung und/oder an den Akku anschließen oder wenn Sie das Gerät aufnehmen oder tragen.** Wenn Sie beim Tragen des Elektrowerkzeugs den Finger am Schalter haben oder das Gerät eingeschaltet an die Stromversorgung anschließen, kann dies zu Unfällen führen.
 - Entfernen Sie alle Einstellschlüssel oder Werkzeuge, bevor Sie das Elektrogerät einschalten.** Werkzeuge oder Schlüssel, die an rotierenden Teilen des Elektrogerätes angebracht sind, können zu Verletzungen führen.
 - Vermeiden Sie eine anormale Körperhaltung. Sorgen Sie für einen sicheren Stand und halten Sie jederzeit das Gleichgewicht.** Dadurch können Sie das Elektrowerkzeug in unerwarteten Situationen besser kontrollieren.
 - Tragen Sie geeignete Kleidung. Tragen Sie keine weite Kleidung und keinen Schmuck. Halten Sie Ihre Haare, Kleidung und Handschuhe von beweglichen Teilen fern.** Lose sitzende Kleidung, Schmuck oder lange Haare können sich in den beweglichen Teilen verfangen.

- Wenn Geräte für den Anschluss an eine Staubabsaugung und Staubsammlung vorgesehen sind, vergewissern Sie sich, dass diese richtig angeschlossen sind und korrekt verwendet werden.** Der Einsatz von Staubsammlern kann staubbedingte Gefahren mindern.
- ### 4. Gebrauch und Pflege von Elektrowerkzeugen
- Überlasten Sie das Elektrowerkzeug nicht. Verwenden Sie das für Ihre Arbeit passende Elektrogerät.** Das richtige Gerät wird die Aufgabe besser und sicherer erledigen, wenn es bestimmungsgemäß verwendet wird.
 - Benutzen Sie kein Elektrowerkzeug, dessen Schalter defekt ist.** Ein Elektrowerkzeug, das sich nicht mehr ein- oder ausschalten lässt, ist gefährlich und muss repariert werden.
 - Trennen Sie den Stecker vom Netz und/oder die Akkus vom Elektrowerkzeug, bevor Sie Einstellungen vornehmen, Zubehör wechseln oder das Elektrowerkzeug verstauen.** Diese Vorbeugemaßnahmen mindern die Gefahr, dass das Elektrogerät unbeabsichtigt startet.
 - Bewahren Sie nicht verwendete Elektrowerkzeuge für Kinder unerreichbar auf und lassen Sie nicht zu, dass Personen ohne Erfahrung mit dem Elektrowerkzeug oder mit diesen Anweisungen das Elektrowerkzeug bedienen.** Elektrogeräte sind in den Händen nicht geschulter Personen gefährlich.
 - Warten Sie die Elektrowerkzeuge. Prüfen Sie, ob bewegliche Teile verzogen oder ausgeschlagen, ob Teile gebrochen oder in einem anderen Zustand sind, der den Betrieb des Elektrowerkzeugs beeinträchtigen kann. Bei Beschädigungen lassen Sie das Elektrogerät reparieren, bevor Sie es verwenden.** Viele Unfälle entstehen wegen mangelnder Wartung der Elektrogeräte.
 - Halten Sie Schneidwerkzeuge scharf und sauber.** Richtig gewartete Schneidwerkzeuge mit scharfen Klingen blockieren seltener und sind leichter unter Kontrolle zu halten.
 - Verwenden Sie Elektrowerkzeuge, Zubehör und Einsätze (Bits) usw. gemäß diesen Anweisungen und unter Berücksichtigung der Arbeitsbedingungen und der Aufgabe.** Wenn Sie das Elektrogerät für Aufgaben verwenden, die nicht bestimmungsgemäß sind, kann dies zu gefährlichen Situationen führen.
- ### 5. Gebrauch und Pflege von Akkuwerkzeugen
- Laden Sie die Akkus nur in Ladegeräten auf, die vom Hersteller angegeben wurden.** Für ein Ladegerät, das nur für eine bestimmte Akkuart geeignet ist, besteht Brandgefahr, wenn es mit anderen Akkus verwendet wird.

- Verwenden Sie nur die für die Elektrowerkzeuge vorgesehenen Akkus.** Der Gebrauch von anderen Akkus kann zu Verletzungen und Brandgefahr führen.
 - Halten Sie den nicht benutzten Akku fern von Büroklammern, Münzen, Schlüsseln, Nägeln, Schrauben oder anderen kleinen Metallgegenständen, die eine Überbrückung der Kontakte verursachen könnten.** Ein Kurzschluss zwischen den Akkukontakten kann Verbrennungen oder Feuer zur Folge haben.
 - Bei falscher Anwendung kann Flüssigkeit aus dem Akku austreten. Vermeiden Sie den Kontakt damit. Bei unbeabsichtigtem Kontakt mit Wasser abspülen. Gelangt die Flüssigkeit in die Augen, ziehen Sie außerdem ärztliche Hilfe hinzu.** Austretende Akkuflüssigkeit kann zu Hautreizungen oder Verbrennungen führen.
- ### 6. Service
- Lassen Sie Ihr Elektrowerkzeug nur von qualifiziertem Fachpersonal und nur mit Original-Ersatzteilen warten bzw. reparieren.** Damit wird sichergestellt, dass die Sicherheit des Gerätes erhalten bleibt.

Zusätzliche Sicherheitswarnhinweise für Elektrowerkzeuge



Warnung! Zusätzliche Sicherheitswarnhinweise für Stich- und Säbelsägen

- ◆ **Halten Sie das Elektrowerkzeug an den isolierten Griffflächen, wenn Arbeiten durchgeführt werden, bei denen das Schneidgerät versteckte Leitungen berühren könnte.** Der Kontakt des Schneidwerkzeugs mit einer spannungsführenden Leitung kann auch metallene Werkzeigteile unter Spannung setzen und zu einem elektrischen Schlag führen.
- ◆ **Sichern Sie das Werkstück zum Beispiel mit Einspannvorrichtungen auf einer stabilen Plattform.** Das Werkstück ist instabil, wenn es mit der Hand oder dem Körper abgestützt wird, was zum Verlust der Kontrolle führen kann.
- ◆ **Halten Sie Ihre Hände vom Schneidebereich fern.** Greifen Sie niemals und unter keinen Umständen unter das Werkstück. Kommen Sie nicht mit den Fingern oder dem Daumen in die Nähe des Säbelsägeblatts und der Blattklemmung. Stabilisieren Sie die Säge nicht durch Greifen des Sägeschuhs.
- ◆ **Halten Sie die Sägeblätter scharf.** Durch stumpfe oder beschädigte Sägeblätter kann die Säge plötzlich ausbrechen oder festklemmen, wenn Druck auf sie ausgeübt wird. Verwenden Sie stets ein geeignetes Sägeblatt für das entsprechende Werkstückmaterial und den Schnittpunkt.

- ◆ **Vergewissern Sie sich beim Schneiden eines Rohrs oder einer Leitung, dass diese frei von Wasser, elektronischen Leitungen usw. sind.**
- ◆ **Berühren Sie das Werkstück oder Sägeblatt nicht direkt nach der Verwendung des Werkzeugs.** Sie können sehr heiß werden.
- ◆ **Überprüfen Sie die Umgebung auf versteckte Gefahren wie Verkabelungen und Leitungen, bevor Sie in Wände, Böden oder Decken schneiden.**
- ◆ **Das Sägeblatt bewegt sich nach dem Loslassen des Schalters weiterhin.** Schalten Sie das Werkzeug immer ab und warten Sie, bis das Sägeblatt komplett zum Stillstand gekommen ist, bevor Sie das Werkzeug absetzen.

Warnung! Der Kontakt mit oder das Einatmen von Stäuben, die von Schneidanwendungen stammen, können die Gesundheit des Bedieners und der Personen gefährden, die sich in der Nähe aufhalten. Tragen Sie daher Staubmasken, die speziell zum Schutz vor Staub und Gasen konzipiert sind, und stellen Sie sicher, dass auch andere Personen geschützt werden, die sich im Arbeitsbereich aufhalten oder ihn betreten.

- ◆ Die bestimmungsgemäße Verwendung ist in dieser Anleitung beschrieben.
- ◆ Das Verwenden anderer als der in dieser Anleitung empfohlenen Vorsatzgeräte und Zubehörteile oder die Ausführung von Arbeiten mit diesem Elektrowerkzeug, die nicht der bestimmungsgemäßen Verwendung entsprechen, können zu Verletzungen und/oder Sachschäden führen.

Sicherheit Dritter

- ◆ Dieses Werkzeug darf nicht von Personen (einschließlich Kindern) mit eingeschränkten physischen, sensorischen oder mentalen Fähigkeiten oder ohne ausreichende Erfahrung oder Kenntnisse verwendet werden, außer wenn diese Personen von einer Person, die für ihre Sicherheit verantwortlich ist, bei der Verwendung des Geräts beaufsichtigt oder mit ihm vertraut gemacht werden.
- ◆ Lassen Sie nicht zu, dass Kinder mit dem Gerät spielen.

Restrisiken

Bei der Verwendung des Werkzeugs können zusätzliche Restrisiken entstehen, die möglicherweise nicht in den beigefügten Sicherheitswarnhinweisen aufgeführt werden. Diese Risiken können durch unsachgemäßen Gebrauch, längere Verwendung usw. entstehen. Trotz Beachtung der geltenden Sicherheitsvorschriften und des Einsatzes von Schutzvorrichtungen können bestimmte Restrisiken nicht vermieden werden. Diese sind:

- ◆ Verletzungen durch Berühren rotierender/sich bewegender Teile.

- ◆ Verletzungen durch Auswechseln von Teilen, Sägeblättern oder Zubehörteilen.
- ◆ Verletzungen durch einen längeren Gebrauch des Werkzeugs. Achten Sie bei der Verwendung eines Werkzeugs über einen längeren Zeitraum hinweg darauf, regelmäßige Pausen einzulegen.
- ◆ Schwerhörigkeit.
- ◆ Bei der Verwendung Ihres Werkzeugs können durch das Einatmen von Staub Gefahren für die Gesundheit entstehen (Beispiel: Arbeit mit Holz, insbesondere Eiche, Buche und MDF).

Schwingung

Die in den technischen Daten und der Konformitätserklärung angegebenen Schwingungsemissionswerte wurden nach einer Standardtestmethode gemäß EN 60745 gemessen und können zum Vergleich der Werkzeuge untereinander verwendet werden. Der angegebene Schwingungsemissionswert kann auch in einer vorläufigen Expositionsabschätzung verwendet werden.

Warnung! Der Schwingungsemissionswert während dem eigentlichen Gebrauch des Elektrowerkzeugs kann abhängig von der Verwendungsart des Werkzeugs vom angegebenen Wert abweichen. Das Schwingungsniveau kann das angegebene Niveau überschreiten.

Bei der Beurteilung der Schwingungsbelastung zur Ermittlung der Sicherheitsmaßnahmen gemäß 2002/44/EG, um Personen zu schützen, die regelmäßig Elektrowerkzeuge einsetzen, sollte eine Einschätzung der Schwingungsbelastung die tatsächlichen Nutzungsbedingungen und die Verwendungsart des Werkzeugs berücksichtigen, einschließlich der Berücksichtigung aller Funktionsabläufe wie die Zeiten, zu denen das Werkzeug abgeschaltet wird und in denen es zusätzlich zur Auslösezeit im Leerlauf läuft.

Etiketten am Werkzeug

Folgende Piktogramme sind zusammen mit dem Datumcode auf dem Werkzeug abgebildet:



Warnung! Zur Reduzierung der Verletzungsgefahr sollte der Anwender die Betriebsanleitung lesen.

Zusätzliche Sicherheitshinweise für Akkus und Ladegeräte

Akkus

- ◆ Keinesfalls versuchen, den Akku zu öffnen.
- ◆ Der Akku darf nicht Wasser ausgesetzt werden.
- ◆ Bewahren Sie ihn nicht an Orten mit Temperaturen über 40 °C auf.

- ◆ Laden Sie ihn nur bei Umgebungstemperaturen zwischen 10 °C und 40 °C.
- ◆ Laden Sie ihn nur mit dem Ladegerät, das mit dem Werkzeug mitgeliefert wurde.
- ◆ Beachten Sie bei der Entsorgung des Akkus die Anweisungen im Abschnitt "Umweltschutz".



Versuchen Sie nicht, beschädigte Akkus zu laden.

Ladegeräte

- ◆ Verwenden Sie Ihr BLACK+DECKER-Ladegerät nur, um den Akku zu laden, der mit dem Werkzeug mitgeliefert wurde. Andere Akkus können bersten und Verletzungen und Sachschäden verursachen.
- ◆ Versuchen Sie niemals, nicht wiederaufladbare Batterien aufzuladen.
- ◆ Ersetzen Sie defekte Kabel unverzüglich.
- ◆ Das Ladegerät darf nicht Wasser ausgesetzt werden.
- ◆ Öffnen Sie das Ladegerät nicht.
- ◆ Untersuchen Sie das Ladegerät nicht.



Das Ladegerät ist nur für den Gebrauch in Innenräumen vorgesehen.



Lesen Sie vor der Verwendung die Betriebsanleitung.

Elektrische Sicherheit



Ihr Ladegerät ist doppelt isoliert. Daher ist keine Erdungsleitung erforderlich. Überprüfen Sie immer, dass die Netzspannung der Spannung auf dem Typenschild entspricht. Versuchen Sie niemals, ein Ladegerät durch einen regulären Netzstecker zu ersetzen.

- ◆ Wenn das Stromkabel beschädigt ist, muss es vom Hersteller oder einem autorisierten BLACK+DECKER-Servicezentrum ersetzt werden, um Gefahren zu vermeiden.

Merkmale

Folgende Symbole sind zusammen mit dem Datumcode auf dem Werkzeug abgebildet:

1. Drehzahl-Regelschalter
2. Schalterarretierung
3. Sägeblatt-Verriegelungshebel
4. Blattklemme
5. Blatt-Stützrolle
6. Schuhplatte
7. Sägefunktion

Abb. A (nur BDCJS18)

Dieses Werkzeug hat einige oder alle der folgenden Merkmale.

8. Akku
9. Ladegerät

Montage

Warnung! Entfernen Sie vor der Montage den Akku aus dem Werkzeug und vergewissern Sie sich, dass das Sägeblatt angehalten ist. Verwendete Sägeblätter können heiß sein.

Montieren und Entfernen eines Sägeblatts (Abb. B)

- ◆ Halten Sie das Sägeblatt (11) mit den Sägezähnen nach vorne gerichtet.
- ◆ Heben Sie den Sägeblatt-Verriegelungshebel (3) an.
- ◆ Setzen Sie den Schaft des Sägeblatts bis zum Anschlag vollständig in die Blattklemme (4) ein.
- ◆ Geben Sie den Hebel frei.
- ◆ Heben Sie zum Entfernen des Sägeblatts (11) den Sägeblatt-Verriegelungshebel an (3) und ziehen Sie das Blatt heraus.

Montieren und Entfernen des Akkus (Abb. C)

- ◆ Um den Akku (8) einzusetzen, richten Sie ihn auf die Aufnahme am Werkzeug aus. Schieben Sie den Akku in die Aufnahme und drücken Sie solange, bis der Akku einrastet.
- ◆ Drücken Sie zur Freigabe des Akkus den Auslöseknopf (12), während Sie gleichzeitig den Akku aus der Aufnahme ziehen.

Verwendung

Warnung! Lassen Sie das Werkzeug in seinem eigenen Rhythmus arbeiten. Überlasten Sie das Werkzeug nicht.

Warnung! Verwenden Sie das Werkzeug unter keinen Umständen, wenn der Sägeschuh lose oder entfernt worden ist.

Aufladen des Akkus (Abb. A)

Der Akku muss vor der ersten Verwendung aufgeladen werden und immer dann, wenn er bei Arbeiten, die zuvor ohne Probleme ausgeführt werden konnten, nicht ausreichend Strom erzeugt. Der Akku kann beim Aufladen warm werden. Das ist normal und stellt kein Problem dar.

Warnung! Laden Sie den Akku nicht bei Umgebungstemperaturen unter 10 °C oder über 40 °C auf. Empfohlene Ladetemperatur: circa 24 °C.

Hinweis: Das Ladegerät lädt einen Akku nicht, wenn die Zelltemperatur unter etwa 10 °C oder über 40 °C liegt. Der Akku muss im Ladegerät bleiben und das Ladegerät beginnt automatisch zu laden, wenn die Zelltemperatur ansteigt oder abkühlt.

- ◆ Um einen Akku (8) zu laden, setzen Sie ihn in das Ladegerät (9) ein. Der Akku passt nur auf eine Weise in das Ladegerät. Erzwingen Sie den Arbeitsvorgang nicht. Vergewissern Sie sich, dass der Akku vollständig im Ladegerät sitzt.
- ◆ Stecken Sie das Ladegerät ein und schalten Sie den Netzschalter an. Die Ladeanzeige beginnt zu blinken. Der Ladevorgang ist abgeschlossen, wenn die Ladeanzeige kontinuierlich leuchtet.
- ◆ Das Ladegerät und der Akku können für unbegrenzte Dauer miteinander verbunden bleiben.
- ◆ Laden Sie entladene Akkus innerhalb von einer Woche. Die Akkubetriebsdauer wird deutlich verringert, wenn der Akku in einem entladenen Zustand gelagert wird.

Das Aufbewahren des Akkus im Ladegerät

Das Ladegerät und der Akku können mit dauerhaft leuchtender LED miteinander verbunden bleiben. Das Ladegerät hält den Akku unversehrt und vollständig aufgeladen.

Ladegerät-Diagnosen

Sollte das Ladegerät einen schwachen oder beschädigten Akku ermitteln, blinkt die Ladeanzeige rot und in kurzen Abständen. Gehen Sie wie folgt vor:

- ◆ Legen Sie den Akku (8) erneut ein.
- ◆ Sollte die Ladeanzeige weiterhin rot und in kurzen Abständen blinken, verwenden Sie einen anderen Akku, um zu ermitteln, ob der Ladevorgang ordnungsgemäß funktioniert.
- ◆ Sollte der ersetzte Akku richtig laden, ist der ursprüngliche Akku defekt und sollte zu einer Recyclingstelle gegeben werden.
- ◆ Sollte der neue Akku den gleichen Hinweis wie der ursprüngliche Akku liefern, geben Sie das Ladegerät zur Überprüfung an ein autorisiertes Servicezentrum.

Hinweis: Es kann bis zu 30 Minuten dauern, um einen defekten Akku zu ermitteln. Wenn der Akku zu heiß oder zu kalt ist, blinkt die LED abwechselnd rot, schnell und langsam, jedes Blinken in der jeweiligen Geschwindigkeit und bei jeder Wiederholung.

Ein- und Ausschalten (Abb. D und E)

- ◆ Schieben Sie zum Einschalten die Schalterarretierung (2) nach links und ziehen und halten Sie anschließend den Drehzahl-Regelschalter (1).
- ◆ Lassen Sie zum Ausschalten den Regelschalter (1) los.

Warnung! Schalten Sie das Werkzeug nicht unter Belastung ein oder aus.

Warnung! Wenn das Werkzeug nicht verwendet wird, schieben Sie immer die Schalterarretierung (2) nach rechts in die gesperrte Position.

Variable Drehzahlregelung

Der Ein-/Aus-Schalter mit variabler Drehzahlregelung bietet eine Auswahl an Geschwindigkeiten für eine verbesserte Schnittleistung in verschiedenen Materialien.

- ◆ Die Drehzahl wird anhand der Stärke bestimmt, mit der der Regelschalter (1) gezogen wird.

Fasenschnitte (Abb. F, G und H)

Die Schuhplatte kann in einem linken oder rechten Fasenwinkel von 22,5° oder 45° eingestellt werden.

Zur Einstellung des Fasenwinkels:

- ◆ Lösen Sie die Schraube (13), die den Schuh befestigt, mit dem mitgelieferten Innensechskantschlüssel (14), um die Schuhplatte (6) zu entriegeln.
- ◆ Schieben Sie die Schuhplatte (6) vorwärts, um sie von der 0°-Arretierung zu lösen.
- ◆ Drehen Sie die Schuhplatte in den gewünschten Fasenwinkel (Abb. G).
- ◆ Schieben Sie die Schuhplatte zurück, damit die linke oder rechte Arretierung einrastet.
- ◆ Ziehen Sie die Schraube (13), die den Schuh befestigt, mit dem mitgelieferten Innensechskantschlüssel (14) fest, damit die Schuhplatte (6) in der gewünschten Position einrastet.

Hinweis: Der Schuh kann nach links oder rechts geneigt werden und hat Arretierungen bei 22,5° und 45°.

Sägefunktion (Abb. I)

Diese Stichsäge ist mit drei Sägefunktionen ausgestattet, davon zwei orbitale und eine gerade. Die orbitale Funktion besitzt eine Sägeblattbewegung mit mehr Kraft und dient zum Sägen weicher Werkstoffe wie Holz oder Kunststoff. Die orbitale Funktion ermöglicht schnellere Schnitte, die jedoch im Werkstoff weniger glatt verlaufen. Bei der orbitalen Funktion bewegt sich das Sägeblatt während des Sägens neben der Auf- und Ab-Bewegung zusätzlich nach vorne.

Warnung! Metall oder Hartholz darf keinesfalls mit der orbitalen Funktion gesägt werden.

- ◆ Verschieben Sie die Sägefunktion (7) zwischen den drei Schnittpositionen: 0, 1 und 2.
- ◆ Position 0 ist für gerades Sägen bestimmt.
- ◆ Positionen 1 und 2 sind für orbitales Sägen bestimmt.
- ◆ Die Kraft beim Sägen erhöht sich, wenn der Hebel von eins auf zwei gestellt wird, wobei zwei die Funktion mit der meisten Kraft ist.

Sägen

- ◆ Halten Sie das Werkzeug immer mit beiden Händen.
- ◆ Lassen Sie das Sägeblatt einige Sekunden im Leerlauf bewegen, bevor Sie den Schnitt vornehmen.
- ◆ Üben Sie während des Schneidevorgangs nur wenig Druck auf das Werkzeug aus.

- ◆ Drücken Sie wenn möglich die Schuhplatte (6) auf das Werkstück. Dies erleichtert die Bedienung des Werkzeugs; Werkzeugschwingungen werden begrenzt und eine Beschädigung des Sägeblatts wird verhindert.

Tipps für eine optimale Verwendung

Allgemeines

- ◆ Verwenden Sie für Holz eine hohe Geschwindigkeit, für Aluminium und PVC eine mittlere Geschwindigkeit und eine niedrige Geschwindigkeit für alle Metalle außer Aluminium.

Das Sägen von Laminaten

Da das Sägeblatt bei der Aufwärtsbewegung schneidet, können Zersplinterungen an den Oberflächen auftreten, die am nächsten an der Schuhplatte liegen.

- ◆ Verwenden Sie ein fein gezahntes Sägeblatt.
- ◆ Sägen Sie auf der Rückseite des Werkstücks.
- ◆ Um das Splintern zu minimieren, klemmen Sie Altholz oder eine Hartplatte an beide Seiten des Werkstücks und sägen Sie zwischen dieser Einklemmung.

Das Sägen von Metall

Beachten Sie, dass das Sägen von Metall mehr Zeit beansprucht als das Sägen von Holz.

- ◆ Verwenden Sie ein geeignetes Sägeblatt für das Sägen von Metall. Verwenden Sie für eisenhaltige Metalle ein feinzahniges Sägeblatt und für nicht-eisenhaltige Metalle ein gröberes Sägeblatt.
- ◆ Klemmen Sie beim Schneiden von dünnem Blech ein Stück Altholz an die Rückseite des Werkstücks und sägen Sie zwischen dieser Einklemmung.
- ◆ Tragen Sie einen Ölfilm entlang der gewünschten Schnittlinie auf.

Zubehör

Die Leistungsfähigkeit des Werkzeugs hängt vom verwendeten Zubehör ab. Das Zubehör von BLACK+DECKER wurde nach hohen Qualitätsstandards entwickelt und ist darauf ausgerichtet, die Leistungsfähigkeit Ihres Werkzeugs zu verbessern. Wenn Sie dieses Zubehör verwenden, holen Sie das Beste aus Ihrem Werkzeug heraus. Dieses Werkzeug eignet sich für U-Schaft- und T-Schaft-Sägeblätter.

Wartung

Ihr Werkzeug wurde für langfristigen Betrieb mit minimalem Wartungsaufwand konstruiert. Ein kontinuierlicher, zufriedenstellender Betrieb hängt von der richtigen Pflege des Gerätes und seiner regelmäßigen Reinigung ab.

Warnung! Schalten Sie vor Wartungsarbeiten das Werkzeug aus und ziehen Sie den Netzstecker.

- ◆ Reinigen Sie in regelmäßigen Abständen die Lüftungsschlitze in Ihrem Werkzeug und Ladegerät mit einer weichen Bürste oder einem trockenen Tuch.
- ◆ Reinigen Sie in regelmäßigen Abständen das Motorgehäuse mit einem feuchten Tuch. Verwenden Sie kein Scheuermittel oder ein auf Lösungsmittel basierendes Reinigungsmittel.
- ◆ Tragen Sie gelegentlich einen Tropfen Öl auf die Achse der Blatt-Stützrolle (5) auf.

Umweltschutz



Getrennte Entsorgung. Produkte und Batterien, die mit diesem Symbol gekennzeichnet sind, dürfen nicht im normalen Hausmüll entsorgt werden.

Produkte und Akkus enthalten Materialien, die wiederverwertet werden können, um den Bedarf an Rohstoffen zu verringern. Bitte recyceln Sie elektrische Produkte und Akkus gemäß den örtlichen Bestimmungen. Weitere Informationen finden Sie auf www.2helpU.com.

Technische Daten

BDCJS18 H1		
Spannung	V _{ac}	18
Leerlaufdrehzahl	min ⁻¹	0-2500
Hub	mm	19
Max. Schnitttiefe:		
Holz	mm	55
Stahl	mm	8
Aluminium	mm	20
Gewicht	Kg	1.87

Ladegerät		905902**/ N4940**	905998**/ 906349**
Eingangsspannung	V _{ac}	100-240	220-240
Ausgangsspannung	V _{dc}	8-20	8-20
Strom	mA	400	1000
Geschätzte Ladedauer	Stunden	3-11	1.5-5

Akku		BL2018*	BL2518*	BL1518*	BL4018
Spannung	V _{dc}	18	18	18	18
Kapazität	Ah	2.0	2.5	1.5	4.0
Typ		Li-Ionen	Li-Ionen	Li-Ionen	Li-Ionen

Schalldruckpegel gemäß EN60745:	
L _{pa} (Schalldruck)	84,5 dB(A), Messunsicherheit (K) 3 dB(A)
L _{wa} (Schalleistung)	95,5 dB(A), Messunsicherheit (K) 3 dB(A)

Gesamtschwingungspegel (triaxiale Vektorsumme) gemäß EN 60745:

Schneiden von Brettern ($a_{h,v}$) 6 m/s², Messunsicherheit (K) 1,5 m/s²Schneiden von Blech ($a_{h,v}$) 4,3 m/s², Messunsicherheit (K) 1,5 m/s²

EG-Konformitätserklärung

MASCHINENRICHTLINIE



Kabellose Stichsäge - BDCJS18

Black & Decker erklärt hiermit, dass die unter "Technische Daten" beschriebenen Produkte die folgenden Vorschriften erfüllen:

EN60745-1:2009+A11:2010, EN60745-2-11:2010

Diese Produkte entsprechen außerdem den Richtlinien 2006/42/EC, 2014/30/EU und 2011/65/EU.

Weitere Informationen erhalten Sie von Black & Decker unter der folgenden Adresse. Diese befindet sich auch auf der Rückseite dieser Anleitung.

Der Unterzeichnete ist verantwortlich für die Zusammenstellung der technischen Daten und gibt diese Erklärung im Namen von Black & Decker ab.

R. Laverick
Director of Engineering
Black & Decker Europe, 210 Bath Road, Slough,
Berkshire, SL1 3YD
Großbritannien
19/10/2018

Garantie

Black & Decker vertraut auf die Qualität der eigenen Geräte und bietet dem Käufer eine außergewöhnliche Garantie von 24 Monaten ab Kaufdatum. Diese Garantie versteht sich unbeschadet der gesetzlichen Gewährleistungsansprüche und schränkt diese keinesfalls ein. Diese Garantie gilt innerhalb der Staatsgebiete der Mitgliedstaaten der Europäischen Union und der Europäischen Freihandelszone.

Zur Inanspruchnahme dieser Garantie muss sie den allgemeinen Geschäftsbedingungen von Black & Decker entsprechen und dem Verkäufer bzw. der Vertragswerkstatt ist ein Kaufnachweis vorzulegen. Die Bedingungen für die 2-jährige Garantie von Black & Decker und den Standort Ihrer

nächstgelegenen Vertragswerkstatt finden Sie im Internet unter www.2helpU.com oder indem Sie sich an die lokale Black & Decker-Niederlassung wenden, deren Adresse Sie in dieser Anleitung finden.

Ihr neues Black & Decker Produkt können Sie auf unserer Website unter www.blackanddecker.de registrieren. Dort erhalten Sie auch Informationen über neue Produkte und Sonderangebote.

FRANÇAIS

(Traduction des instructions initiales)

Utilisation prévue

Votre scie sauteuse BDCJS18 BLACK+DECKER™ a été conçue pour le sciage du bois, des plastiques et de la tôle. Cet outil est destiné à une utilisation exclusivement domestique.

Consignes de sécurité

Consignes de sécurité générales propres aux outils électriques



Avertissement ! Lisez tous les avertissements et toutes les consignes de sécurité. Tout manquement au respect des avertissements et des instructions indiqués ci-dessous peut entraîner un choc électrique, un incendie et/ou de graves blessures.

Conservez tous les avertissements et toutes les instructions pour pouvoir vous y référer dans le futur.

Le terme « outil électrique » dans tous les avertissements indiqués ci-dessous se rapporte à votre outil alimenté sur secteur (avec cordon) ou à votre outil alimenté par batterie (sans cordon).

1. Sécurité de l'espace de travail

- Maintenir l'aire de travail propre et bien éclairée.** Les lieux sombres ou encombrés sont propices aux accidents.
- N'utilisez pas d'outils électriques dans des atmosphères explosives, telles qu'en présence de liquides, de gaz ou de poussières inflammables.** Les

outils électriques peuvent produire des étincelles qui pourraient enflammer toute émanation ou poussière ambiante.

- Maintenez les enfants et toute autre personne à l'écart lorsque vous utilisez un outil électrique.** Toute distraction pourrait faire perdre la maîtrise de l'appareil.

2. Sécurité électrique

- Les fiches de l'appareil doivent correspondre aux prises de secteur. Ne modifier la fiche en aucune façon. Ne pas utiliser de fiche d'adaptation avec un outil électrique mis à la terre (masse).** L'utilisation de fiches d'origine et de prises appropriées réduira tout risque de décharges électriques.
- Évitez tout contact corporel avec des éléments reliés à la terre comme des tuyaux, radiateurs, cuisinières ou réfrigérateurs.** Les risques de chocs électriques augmentent lorsque le corps est relié à la terre.
- N'exposez pas les outils électriques à la pluie ou à l'humidité.** Tout contact d'un outil électrique avec un liquide augmente les risques de décharges électriques.
- Ne malmez pas le cordon. Ne jamais utiliser le cordon pour transporter, tirer ou débrancher un outil électrique. Protéger le cordon de toute source de chaleur, de l'huile, et de tout bord tranchant ou pièce mobile.** Les cordons endommagés ou emmêlés augmentent les risques de décharges électriques.
- Lorsque vous utilisez un outil électrique à l'extérieur, utilisez une rallonge adaptée à l'usage en extérieur.** Cela diminuera tout risque de décharges électriques.
- Si l'utilisation d'un outil électrique dans un environnement humide est inévitable, utilisez une alimentation protégée par un dispositif de courant résiduel (RCD).** Cela réduira tout risque de décharges électriques.

3. Sécurité personnelle

- Restez attentif, faites attention à ce que vous faites et faites preuve de bon sens lorsque vous utilisez un outil électrique. Ne pas utiliser d'outil électrique en cas de fatigue ou sous l'influence de drogues, d'alcool ou de médicaments.** Tout moment d'inattention pendant l'utilisation d'un outil électrique comporte des risques de dommages corporels graves.
- Porter un équipement de protection individuel. Porter systématiquement un dispositif de protection oculaire.** Le fait de porter un masque anti-poussières, des chaussures antidérapantes, un casque de sécurité ou un dispositif de protection auditive, lorsque la situation le requiert, réduira les risques de dommages corporels.
- Empêcher un déclenchement accidentel. Assurez-vous que l'interrupteur est en position d'arrêt avant de brancher l'outil sur le secteur et/ou à la batterie, ou**

de le ramasser ou le transporter. Transporter un outil le doit sur l'interrupteur ou brancher un outil électrique alors que l'interrupteur est en position de marche invite les accidents.

- Retirez toutes les clés de réglage avant de mettre l'outil électrique en marche.** Une clé laissée sur une pièce rotative d'un outil électrique comporte des risques de dommages corporels.
 - Adoptez une position stable. Maintenir les pieds bien ancrés au sol et conserver son équilibre en permanence.** Cela permettra de mieux maîtriser l'outil électrique en cas de situations imprévues.
 - Porter des vêtements appropriés. Ne porter aucun vêtement ample ou bijou. Conservez les cheveux, les vêtements et les gants éloignés des parties mobiles.** Les vêtements lâches, les bijoux ou les cheveux longs peuvent être happés par les parties mobiles.
 - Lorsqu'un dispositif de connexion à un système de dépoussiérage ou d'élimination est fourni, assurez-vous qu'il est branché et utilisé correctement.** L'utilisation de ces dispositifs peut réduire les risques engendrés par les poussières.
- Utilisation et entretien des outils électriques**
 - Ne forcez pas l'outil électrique. Utiliser l'outil approprié au travail en cours.** L'outil approprié effectuera un meilleur travail, de façon plus sûre et à la vitesse pour laquelle il a été conçu.
 - N'utilisez pas l'outil électrique si l'interrupteur ne peut pas l'allumer ni l'éteindre.** Tout appareil dont l'interrupteur est défectueux est dangereux et doit être réparé.
 - Débranchez la fiche du secteur et/ou la batterie de l'outil électrique avant d'effectuer tout réglage, de changer tout accessoire, ou avant de le ranger.** Ces mesures de sécurité préventives réduisent le risque de démarrage accidentel de l'outil électrique.
 - Après utilisation, rangez les outils électriques hors de portée des enfants et ne permettez à aucune personne non familière avec son fonctionnement (ou sa notice d'instructions) de l'utiliser.** Les outils peuvent être dangereux entre des mains inexpérimentées.
 - Entretien des outils électriques Vérifiez les pièces mobiles pour vous assurer qu'elles sont bien alignées et tournent librement, qu'elles sont en bon état et ne sont affectées d'aucune condition susceptible de nuire au bon fonctionnement de l'outil. En cas de dommage, faire réparer l'outil électrique avant toute nouvelle utilisation.** De nombreux accidents sont causés par des outils mal entretenus.
 - Maintenez les outils de coupe affûtés et propres.** Les outils de coupe bien entretenus et affûtés sont moins susceptibles de se coincer et sont plus faciles à contrôler.

g. Utilisez l'outil électrique, ses accessoires, mèches, etc., conformément aux présentes directives et suivant la manière prévue pour ce type particulier d'outil électrique, en tenant compte des conditions de travail et de la tâche à effectuer. L'utilisation d'un outil électrique à des fins autres que celles prévues est potentiellement dangereuse.

5. Utilisation et entretien de la batterie de l'outil

- a. **Recharger uniquement avec le chargeur spécifié par le fabricant.** Un chargeur adapté pour un autre type de bloc batterie peut engendrer un risque d'incendie s'il est utilisé avec un bloc batterie différent.
- b. **Utilisez les outils uniquement avec les blocs batterie spécialement conçus.** L'utilisation d'autres blocs batterie peut créer un risque de blessures et d'incendie.
- c. **Lorsque le bloc batterie n'est pas utilisé, tenez-le éloigné de tout autre objet métallique, par ex. trombones, pièces de monnaie, clous, vis ou autre petits objets métallique pouvant réaliser une connexion entre une borne et l'autre.** Le court-circuit des bornes de la batterie peut causer des brûlures ou un incendie.
- d. **En cas d'utilisation abusive, du liquide peut être éjecté de la batterie et il faut éviter tout contact avec ce dernier. En cas de contact accidentel, rincer à l'eau. Si le liquide entre en contact avec les yeux, consulter également un médecin.** Le liquide projeté de la batterie peut causer des irritations ou des brûlures.

6. Révision

- a. **Faites entretenir votre outil électrique par un réparateur qualifié en n'utilisant que des pièces de rechange identiques.** Cela permettra de préserver l'intégrité de l'outil électrique et la sécurité de l'utilisateur.

Consignes de sécurité supplémentaires propres aux outils électriques



Avertissement ! Consignes de sécurité supplémentaires propres aux scies sauteuses et aux scies à guichets

- ◆ **Tenir l'outil par les surfaces isolées prévues à cet effet pendant toute utilisation où l'accessoire de coupe pourrait entrer en contact avec des fils électriques cachés.** Tout contact de l'accessoire de coupe avec un fil sous tension peut mettre les parties métalliques exposées de l'outil sous tension et provoquer un choc électrique à l'utilisateur.
- ◆ **Utilisez les pinces ou un autre moyen pratique pour fixer et soutenir l'ouvrage sur une plateforme stable.**

Tenir la pièce travaillée dans vos mains ou contre votre corps la rend instable et peut conduire à une perte de contrôle.

- ◆ **Tenez vos mains à distance de la zone de coupe.** Ne mettez jamais les mains sous la pièce, quel que soit le motif. Ne mettez jamais les doigts ni le pouce à proximité de la lame à mouvement alterné ou du serre-lame. Ne stabilisez pas la scie en agrippant la semelle.
- ◆ **Maintenir les lames bien affûtées.** Les lames émoussées ou endommagées peuvent faire dévier ou bloquer la scie sous la pression. Utilisez toujours le type de lame de scie approprié au matériau de la pièce à travailler et au type de coupe.
- ◆ **Lorsque vous coupez des tuyaux ou des conduits, assurez-vous qu'ils ne contiennent ni eau, ni fils électriques, etc.**
- ◆ **Ne touchez pas l'ouvrage ou la lame immédiatement après l'utilisation de l'outil.** Ils peuvent devenir très chauds.
- ◆ **Faites attention aux dangers cachés, vérifiez l'emplacement des fils électriques et de la tuyauterie avant de couper dans des murs, sols ou plafonds.**
- ◆ **La lame continuera de bouger après que vous ayez relâché l'interrupteur.** Éteignez toujours l'outil et attendez que la lame de scie s'arrête complètement avant de poser l'outil.

Avertissement ! Tout contact ou toute inhalation des poussières produites par la coupe peut présenter un risque sanitaire pour l'utilisateur et toute autre personne à proximité. Portez un masque à poussière spécialement conçu pour la protection contre les poussières et fumées et assurez-vous que les personnes dans la zone de travail ou y pénétrant sont également protégées.

- ◆ L'usage prévu est décrit dans ce manuel d'instructions.
- ◆ L'utilisation d'accessoires ou la réalisation de travaux avec cet outil autres que ceux recommandés dans le présent manuel pourrait entraîner un risque de blessure et/ou de dommages aux équipements.

Sécurité d'autrui

- ◆ L'utilisation de cet outil n'est pas prévue pour les personnes (y compris les enfants) ayant des capacités physiques, sensorielles ou mentales limitées, ou qui manquent d'expérience et de connaissances, sauf si ces personnes sont surveillées ou instruites sur l'utilisation de l'appareil par une personne responsable de leur sécurité.
- ◆ Les enfants doivent être surveillés pour s'assurer qu'ils ne jouent pas avec l'appareil.

Risques résiduels

Des risques résiduels supplémentaires peuvent survenir lors de l'utilisation de l'outil qui peuvent ne pas être compris dans

les présentes consignes de sécurité. Ces risques peuvent survenir en cas de mauvaise utilisation, d'utilisation prolongée etc.

Même en appliquant les réglementations de sécurité pertinentes et en mettant en œuvre les dispositifs de sécurité, certains risques résiduels ne peuvent être évités. Ils comprennent :

- ◆ Les blessures provoquées par le contact avec des pièces en rotation/mouvement.
- ◆ Les blessures occasionnées en changeant des pièces, lames ou accessoires.
- ◆ Les blessures provoquées par une utilisation prolongée de l'outil. Assurez-vous de faire des pauses régulières lorsque vous utilisez un outil pour des périodes prolongées.
- ◆ Diminution de l'acuité auditive.
- ◆ Les risques pour la santé causés par la respiration de la poussière créée lors de l'utilisation de l'outil (par exemple le travail du bois, notamment le chêne, le hêtre et les panneaux de fibre.)

Vibration

Les valeurs d'émission de vibrations déclarées dans les données techniques et la déclaration de conformité ont été mesurées selon une méthode de test standard fournie par EN 60745 et peuvent être utilisées pour comparer des outils entre eux. La valeur d'émission de vibrations déclarée peut aussi être utilisée dans une évaluation d'exposition préliminaire.

Avertissement ! La valeur d'émission de vibrations pendant l'utilisation réelle de l'outil peut différer de la valeur déclarée selon la façon dont l'outil est utilisé. Le niveau de vibrations peut augmenter et dépasser le niveau indiqué.

Lors de l'évaluation de l'exposition aux vibrations pour déterminer les mesures de sécurité requises par 2002/44/CE pour protéger les personnes utilisant régulièrement des outils électriques dans un cadre professionnel, une estimation de l'exposition aux vibrations doit prendre en compte les conditions réelles d'utilisation et la façon dont l'outil est utilisé, ce qui comprend la prise en compte de toutes les parties du cycle d'utilisation comme les moments où l'outil est éteint et où il fonctionne à vide en plus du temps d'utilisation.

Étiquettes sur l'outil

Les pictogrammes suivants ainsi que le code date apparaissent sur l'outil :



Avertissement ! Afin de réduire le risque de blessure, lisez la notice d'instructions.

Consignes de sécurité supplémentaires propres aux batteries et aux chargeurs

Piles

- ◆ Ne tentez d'ouvrir l'équipement sous aucun prétexte.
- ◆ N'exposez pas la batterie à l'eau.
- ◆ Ne les rangez pas dans des endroits où la température peut dépasser 40 °C.
- ◆ Ne chargez qu'à des températures ambiantes comprises entre 10 °C et 40 °C.
- ◆ Ne chargez qu'à l'aide du chargeur fourni avec l'outil.
- ◆ Lorsque vous mettez les batteries au rebut, suivez les instructions présentes dans la section « Protection de l'environnement ».



N'essayez pas de charger des batteries endommagées.

Chargeurs

- ◆ Utilisez votre chargeur BLACK+DECKER uniquement pour charger la batterie de l'outil avec lequel il a été fourni. D'autres batteries peuvent exploser et causer des blessures et des dommages.
- ◆ N'essayez jamais de charger des batteries non rechargeables.
- ◆ Faites remplacer immédiatement les cordons défectueux.
- ◆ N'exposez pas le chargeur à l'eau.
- ◆ N'ouvrez pas le chargeur.
- ◆ Ne sondez pas le chargeur.



Le chargeur est destiné à un usage intérieur uniquement.



Lisez le manuel d'instructions avant l'utilisation.

Sécurité électrique



Votre chargeur a une double isolation ; aucun fil de terre n'est donc nécessaire. Vérifiez toujours que la tension secteur correspond à la tension sur la plaque signalétique. N'essayez jamais de remplacer le bloc du chargeur par une fiche secteur ordinaire.

- ◆ Si le cordon d'alimentation est endommagé, il doit être remplacé par le fabricant ou par un centre de réparation agréé BLACK+DECKER afin d'éviter tout danger.

Caractéristiques

Les symboles suivants ainsi que le code date apparaissent sur l'outil :

1. Interrupteur à variateur de vitesse
2. Bouton de déblocage

3. Levier de blocage de la lame de scie
4. Serre-lame
5. Rouleau d'appui de la lame
6. Semelle
7. Bouton de fonction de coupe

Fig. A (BDCJS18 uniquement)

Cet outil comprend certaines des caractéristiques suivantes ou leur intégralité.

8. Batterie
9. Chargeur de batterie

Assemblage

Avertissement ! Avant l'assemblage, retirez la batterie de l'outil et assurez-vous que la lame de scie est arrêtée. Les lames de scies utilisées peuvent être chaudes.

Montage et démontage de la lame de scie (fig. B)

- ◆ Tenez la lame de scie (11) avec les dents vers l'avant.
- ◆ Levez le levier de blocage de la lame de scie (3) vers le haut.
- ◆ Insérez la tige de la lame entièrement dans le serre-lame (4) aussi loin que possible.
- ◆ Relâchez le levier.
- ◆ Pour retirer la lame de scie (11), levez le levier de blocage de la lame de scie (3) vers le haut et faites sortir la lame en tirant.

Montage et démontage de la batterie (fig. C)

- ◆ Pour installer la batterie (8), alignez-la avec le réceptacle sur l'outil. Glissez la batterie dans le réceptacle et poussez jusqu'à ce que la batterie soit en place et enclenchée.
- ◆ Pour retirer la batterie, appuyez sur le bouton d'éjection (12) tout en tirant la batterie hors du réceptacle.

Utilisation

Avertissement ! Laissez l'outil fonctionner à son propre rythme. Ne surchargez pas.

Avertissement ! N'utilisez jamais l'outil si la semelle de la scie est desserrée ou absente.

Chargement de la batterie (fig. A)

La batterie doit être chargée avant la première utilisation et chaque fois qu'elle ne fournit plus une alimentation suffisante pour des tâches auparavant facilement effectuées. La batterie peut devenir tiède pendant la charge ; c'est normal et cela n'indique pas un problème.

Avertissement ! Ne chargez pas la batterie à des températures ambiantes en-dessous de 10 °C ou au-dessus de 40 °C. Température de charge recommandée : approx. 24 °C.

Remarque : Le chargeur ne chargera pas la batterie si la température de la cellule est en-dessous d'environ

10 °C ou au-dessus de 40 °C. La batterie doit être laissée dans le chargeur et le chargeur commencera à charger automatiquement dès que la cellule se sera réchauffée ou refroidie.

- ◆ Pour charger la batterie (8), insérez-la dans le chargeur (9). La batterie ne rentrera dans le chargeur que dans un sens. Ne forcez pas. Assurez-vous que la batterie est bien installée dans le chargeur.
- ◆ Branchez le chargeur et allumez l'alimentation secteur. L'indicateur de charge clignote. La charge est complète quand l'indicateur de charge reste allumé en continu.
- ◆ Le chargeur et la batterie peuvent rester connectés indéfiniment.
- ◆ Chargez les batteries déchargées dans la semaine. La durée de vie de la batterie sera grandement diminuée si elle est rangée alors qu'elle est déchargée.

Maintien de la batterie dans le chargeur

Le chargeur et la batterie peuvent rester connectés avec la DEL allumée indéfiniment. Le chargeur maintiendra le bloc batterie entièrement chargé et prêt à l'emploi.

Diagnostics du chargeur

Si le chargeur détecte une batterie faible ou endommagée, l'indicateur de charge passera au rouge et clignotera rapidement. Procédez comme suit :

- ◆ Réinsérez la batterie (8).
- ◆ Si l'indicateur de charge continue de clignoter en rouge rapidement, utilisez une autre batterie pour déterminer si le processus de charge fonctionne correctement.
- ◆ Si la nouvelle batterie se charge correctement, la batterie d'origine est défectueuse et doit être rapportée à un centre de réparation pour être recyclée.
- ◆ Si la nouvelle batterie donne la même indication que la batterie d'origine, faites tester le chargeur par un centre de réparation agréé.

Remarque : Cela peut prendre jusqu'à 30 minutes pour déterminer si la batterie est défectueuse. Si la batterie est trop chaude ou trop froide, la DEL clignotera en rouge en alternant rythme rapide et lent, un clignotement à chaque vitesse en boucle.

Mise en marche et arrêt (fig. D & E)

- ◆ Pour mettre en marche, faites glisser l'interrupteur de déblocage (2) vers la gauche puis tirez et maintenez la gâchette à variateur de vitesse (1).
- ◆ Pour éteindre, relâchez la gâchette (1).

Avertissement ! Ne démarrez pas ni n'arrêtez l'outil lorsqu'il est sous charge.

Avertissement ! Faites toujours glisser l'interrupteur de déblocage (2) vers la droite, la position verrouillée lorsque vous n'utilisez pas l'outil.

Commande à variateur de vitesse

La gâchette à variateur de vitesse offre un choix de vitesses pour des taux de coupe grandement améliorés sur plusieurs matériaux.

- ◆ La vitesse est déterminée par la force avec laquelle la gâchette (1) est tirée.

Coupe en biseau (fig. F, G & H)

La semelle peut être réglée à un angle de biseau de gauche ou de droite de 22,5° ou 45°.

Pour régler l'angle de biseau :

- ◆ Desserrez le boulon de maintien de la semelle (13) avec la clé hexagonale fournie (14) pour débloquer la semelle (6).
- ◆ Glissez la semelle (6) vers l'avant pour la libérer du cran 0°.
- ◆ Faites tourner la semelle jusqu'à l'angle de biseau souhaité (fig. G).
- ◆ Glissez la semelle vers l'arrière pour enclencher le cran de gauche ou de droite.
- ◆ Serrez le boulon de maintien de la semelle (13) avec la clé hexagonale fournie (14) pour bloquer la semelle (6) dans la position souhaitée.

Remarque : Le biseau de la semelle peut être ajusté vers la droite ou la gauche avec des crans à 22,5° et 45°.

Fonction de coupe (fig. I)

Cette scie sauteuse est équipée de trois fonctions de coupe : deux coupes orbitales et une coupe droite. La fonction orbitale offre un mouvement de lame plus agressif et elle est conçue pour la coupe des matériaux tendres comme le bois ou le plastique. La fonction orbitale offre une coupe plus rapide, mais moins lisse dans le matériau. En mode orbital, la lame se déplace vers l'avant durant la course de coupe, en plus du mouvement ordinaire de haut en bas.

Avertissement ! Ne jamais effectuer de coupe dans le métal ou le bois dur avec la fonction orbitale.

- ◆ Faites glisser le bouton de fonction de coupe (7) entre les trois positions de coupe : 0, 1 et 2.
- ◆ La position 0 correspond à la coupe droite.
- ◆ Les positions 1 et 2 correspondent à la coupe orbitale.
- ◆ L'agressivité de la coupe augmente lorsque le levier est réglé sur la position 1 à 2 (2 étant la position de coupe la plus agressive).

Sciage

- ◆ Tenez toujours l'outil avec les deux mains.
- ◆ Laissez fonctionner la machine librement durant quelques secondes avant de commencer à couper.
- ◆ Appliquez seulement une pression douce sur l'outil pendant que vous coupez.

- ◆ Si possible, travaillez avec la semelle (6) appuyée contre l'ouvrage. Cela améliorera le contrôle de l'outil et réduira les vibrations, et empêchera également tout dommage à l'outil.

Astuces pour une utilisation optimale

Généralités

- ◆ Utilisez une vitesse élevée pour le bois, une vitesse moyenne pour l'aluminium et le PVC et une vitesse faible pour les métaux autres que l'aluminium.

Sciage des laminés

Lorsque la lame de scie coupe à la verticale, des échardes peuvent se former sur la surface la plus proche de la semelle.

- ◆ Utilisez une lame à dents fines.
- ◆ Sciez depuis la surface arrière de l'ouvrage.
- ◆ Pour réduire la formation d'échardes, fixez une pièce de chute de bois ou de panneau dur de chaque côté de l'ouvrage et sciez à travers l'ensemble.

Sciage du métal

Rappelez-vous que le sciage du métal est beaucoup plus long que le sciage du bois.

- ◆ Utilisez une lame de scie adaptée au sciage du métal. Utilisez une lame à dents fines pour les métaux ferreux et une lame plus grosse pour les matériaux non-ferreux.
- ◆ Lorsque vous coupez de la tôle fine, fixez une pièce de chute de bois sur la surface arrière de l'ouvrage et sciez à travers l'ensemble.
- ◆ Étalez une pellicule d'huile le long de la ligne de coupe prévue.

Accessoires

La performance de votre outil dépend des accessoires utilisés. Les accessoires BLACK+DECKER sont fabriqués selon des standards de haute qualité et conçus pour améliorer la performance de votre outil. L'utilisation de ces accessoires vous garantit le meilleur de votre outil.

Cet outil est compatible avec les lames de scies à tiges en U ainsi qu'avec celles à tiges en T.

Maintenance

Votre outil a été conçu pour fonctionner longtemps avec un minimum de maintenance. Le fonctionnement continu et satisfaisant de l'outil dépend d'un entretien adéquat et d'un nettoyage régulier.

Avertissement ! Avant toute maintenance, éteignez et débranchez l'outil.

- ◆ Nettoyez régulièrement les événements de votre outil et de votre chargeur à l'aide d'une brosse douce ou d'un chiffon sec.

- ◆ Nettoyez régulièrement le boîtier du moteur à l'aide d'un chiffon humide. N'utilisez pas de nettoyeur abrasif ou à base de solvant.
- ◆ Appliquez occasionnellement une goutte d'huile sur l'axe du rouleau d'appui de la lame (5).

Protection de l'environnement



Tri sélectif. Les produits et batteries marqués de ce symbole ne doivent pas être jetés avec les déchets ménagers.

Les produits et batteries contiennent des matières qui peuvent être récupérées et recyclées afin de réduire la demande en matières premières.

Veillez à recycler les produits électriques et les piles et batteries conformément aux dispositions locales en vigueur. Plus d'informations sont disponibles sur le site www.2helpU.com.

Données techniques

BDCJS18 H1		
Tension	V _{cc}	18
Vitesse à vide	min ⁻¹	0-2500
Longueur de course	mm	19
Profondeur maximum de coupe :		
Bois	mm	55
Acier	mm	8
Aluminium	mm	20
Poids	Kg	1,87

Chargeur		905902**/ N4940**	905998**/ 906349**
Tension d'entrée	V _{ac}	100-240	220-240
Tension de sortie	V _{dc}	8-20	8-20
Courant	mA	400	1000
Temps de charge approx.	Heures	3-11	1,5-5

Batterie		BL2018*	BL2518*	BL1518*	BL4018
Voltage	V _{dc}	18	18	18	18
Capacity	Ah	2,0	2,5	1,5	4,0
Type		Li-Ion	Li-Ion	Li-Ion	Li-Ion

Niveau de pression sonore selon la norme EN60745:	
LpA (pression sonore)	84,5 dB(A), Incertitude (K) 3 dB(A)
LWA (puissance sonore)	95,5 dB(A), Incertitude (K) 3 dB(A)

Valeurs du taux de vibrations (somme vectorielle de triaxialité) déterminées conformément à la norme EN 60745 :	
Coupe de planches (a _{hB})	6 m/s ² , incertitude (K) 1,5 m/s ²
Coupe de tôles (a _{hM})	4,3 m/s ² , incertitude (K) 1,5 m/s ²

Certificat de conformité CE

DIRECTIVES MACHINES



Scie sauteuse sans cordon - BDCJS18

Black & Decker certifie que les produits décrits dans le paragraphe « Données techniques » sont conformes aux normes :

EN60745-1:2009+A11:2010, EN60745-2-11:2010

Ces produits sont aussi conformes aux directives 2006/42/EC, 2014/30/UE et 2011/65/UE.

Pour plus de détails, veuillez contacter Black & Decker à l'adresse suivante ou reportez-vous au dos du manuel.

Le soussigné est responsable des données de la fiche technique et fait cette déclaration au nom de Black & Decker.

R.Laverick
Director of Engineering
Black & Decker Europe, 210 Bath Road, Slough,
Berkshire, SL1 3YD
Royaume-Uni
19/10/2018

Garantie

Black & Decker assure la qualité de ses produits et offre une garantie de 24 mois aux utilisateurs, à partir de la date d'achat. Cette garantie s'ajoute à vos droits légaux auxquels elle ne porte aucunement préjudice. Cette garantie est valable au sein des territoires des États membres de l'Union Européenne et au sein de la Zone européenne de libre-échange.

Pour prétendre à la garantie, la réclamation doit être en conformité avec les conditions générales de Black & Decker et vous devez fournir une preuve d'achat au vendeur ou au réparateur agréé. Les conditions générales de la garantie de 24 ans Black & Decker ainsi que l'adresse du réparateur agréé le plus proche sont disponibles sur le site Internet www.2helpU.com ou en contactant votre agence Black & Decker locale à l'adresse indiquée dans ce manuel.

Veillez consulter notre site Internet www.blackanddecker.co.uk pour enregistrer votre nouveau produit Black & Decker et pour être tenu informé des nouveaux produits et offres spéciales.

Usò previsto

I seghetti alternativi BLACK+DECKER™ BDCJS18 sono stati progettati per il taglio di legno, plastica e metallo in lamiera. L'elettrotensile è stato progettato solo per uso privato.

Istruzioni di Sicurezza

Avvertenze generali di sicurezza per apparati elettrici



Avvertenza! Leggere attentamente tutte le avvertenze e le istruzioni. La mancata osservanza delle avvertenze e istruzioni elencate di seguito può causare folgorazioni, incendi e/o lesioni gravi.

Conservare tutte le avvertenze e le istruzioni per consultazioni future. Il termine "apparato elettrico" utilizzato nelle avvertenze si riferisce sia agli apparati alimentati a corrente di rete (con cavo elettrico), sia a batteria (senza cavo).

1. Sicurezza dell'area di lavoro

- Tenere pulita e ben illuminata la zona di lavoro.** Gli ambienti disordinati o scarsamente illuminati favoriscono gli incidenti.
- Non azionare gli apparati elettrici in ambienti con atmosfera esplosiva, ad esempio in presenza di liquidi, gas o polveri infiammabili.** Gli apparati elettrici creano scintille che possono incendiare le polveri o i fumi.
- Durante l'uso di un apparato elettrico, tenere lontani i bambini e chiunque si trovi nelle vicinanze.** Le distrazioni possono provocare la perdita di controllo.

2. Sicurezza elettrica

- Le spine dell'apparato elettrico devono corrispondere alla presa di alimentazione. Non modificare la spina in alcun modo. Non collegare un adattatore alla spina di un apparato elettrico dotato di scarico a terra.** Per ridurre il rischio di scossa elettrica evitare di modificare le spine e utilizzare sempre le prese appropriate.
- Evitare il contatto con superfici connesse a terra, quali tubature, termosifoni, piastre di cottura e frigoriferi.** Se il proprio corpo è collegato con la terra, il rischio di scossa elettrica aumenta.
- Non esporre gli apparati elettrici alla pioggia o all'umidità.** Se l'acqua entra nell'apparato elettrico aumenta il rischio di scossa elettrica.
- Non utilizzare il cavo elettrico in modo improprio. Non utilizzare mai il cavo per spostare, tirare o scollegare l'apparato elettrico. Tenere il cavo elettrico lontano da fonti di calore, olio, bordi taglienti o parti in movimento.** Se il cavo è danneggiato o impigliato, il rischio di scossa elettrica aumenta.

- Quando l'apparato elettrico viene impiegato all'aperto, utilizzare solo cavi di prolunga adatti agli ambienti esterni.** L'uso di un cavo adatto ad uso esterno riduce il rischio di scosse elettriche.
- Se non è possibile evitare l'uso di un apparato elettrico in ambienti umidi, usare una sorgente di alimentazione protetta da un interruttore differenziale (salvavita).** L'uso di un interruttore differenziale riduce il rischio di scossa elettrica.

3. Sicurezza personale

- Quando si utilizza un apparato elettrico evitare di distrarsi. Prestare attenzione a ciò che si sta facendo e utilizzare il buon senso. Non utilizzare l'apparato elettrico quando si è stanchi o sotto l'effetto di droghe, alcool o medicinali.** Un solo attimo di distrazione durante l'uso di tali apparati potrebbe provocare gravi lesioni personali.
- Usare le protezioni antinfortunistiche. Indossare sempre occhiali di sicurezza.** Se si avrà cura d'indossare l'equipaggiamento protettivo, ad esempio una maschera antipolvere, delle calzature antiscivolo, un casco o delle otoprotezioni, si ridurrà il rischio di infortuni.
- Evitare avvii involontari. Assicurarsi che l'interruttore sia in posizione di spento prima inserire l'alimentazione elettrica e/o il gruppo batterie e prima di afferrare o trasportare l'apparato.** Il trasporto di apparati elettrici tenendo il dito sull'interruttore o quando sono collegati alla rete elettrica con l'interruttore nella posizione di acceso provoca incidenti.
- Prima di accendere l'apparato elettrico, rimuovere eventuali chiavi o utensili di regolazione.** Un utensile di regolazione o una chiave fissati su una parte rotante dell'apparato elettrico possono provocare lesioni personali.
- Non sporgersi troppo. Mantenere sempre un appoggio ed equilibrio adeguati.** Ciò consente un migliore controllo dell'apparato nelle situazioni impreviste.
- Vestirsi adeguatamente. Non indossare abiti lenti o gioielli. Tenere i capelli, i vestiti e i guanti lontano dalle parti mobili.** Abiti lenti, gioielli o capelli lunghi possono impigliarsi nelle parti in movimento.
- Se i dispositivi sono dotati di collegamento con un apparecchio di aspirazione e raccolta delle polveri, assicurarsi che sia collegato e utilizzato correttamente.** La raccolta delle polveri può ridurre i pericoli legati a queste ultime.

4. Uso e cura degli apparati elettrici

- Non forzare l'apparato. Utilizzare un apparato adatto al lavoro da eseguire.** L'apparato lavora meglio e con maggior sicurezza se utilizzato secondo quanto è stato previsto.

- b. **Non utilizzare l'apparato se l'interruttore non permette l'accensione o lo spegnimento.** Qualsiasi apparato elettrico che non possa essere controllato tramite l'interruttore è pericoloso e deve essere riparato.
- c. **Staccare la spina dall'alimentazione elettrica e/o il blocco batteria dell'apparato elettrico prima di effettuare qualsiasi tipo di regolazione, prima di cambiare gli accessori o di ripararlo.** Queste misure di sicurezza preventive riducono il rischio di azionare l'apparato accidentalmente.
- d. **Riporre gli apparati non utilizzati fuori dalla portata dei bambini ed evitarne l'uso da parte di persone che hanno poca familiarità con l'apparato elettrico e con le presenti istruzioni.** Gli apparati elettrici sono pericolosi in mano a persone inesperte.
- e. **Eeguire una manutenzione adeguata degli apparati elettrici. Verificare il cattivo allineamento e inceppamento di parti mobili, la rottura di componenti e ogni altra condizione che possa influire sul funzionamento degli apparati. Se danneggiato, far riparare l'apparato elettrico prima dell'uso.** Molti incidenti sono provocati da apparati elettrici su cui non è stata effettuata la corretta manutenzione.
- f. **Tenere gli utensili da taglio affilati e puliti.** La manutenzione corretta degli utensili da taglio con bordi affilati riduce le probabilità di inceppamento e ne facilita il controllo.
- g. **Utilizzare l'apparato elettrico, gli accessori, le punte, ecc. rispettando le presenti istruzioni e tenendo in considerazione le condizioni di funzionamento e il lavoro da eseguire.** L'utilizzo dell'apparato elettrico per impieghi diversi da quelli previsti può provocare situazioni di pericolo.
5. **Uso e cura degli apparati a batteria**
- a. **Ricaricare la batteria esclusivamente con il caricabatteria specificato dal fabbricante.** Un caricabatteria adatto per un tipo di gruppo batterie può esporre al rischio d'incendio se usato con pacco batteria diverso.
- b. **Utilizzare gli apparati elettrici solo con i gruppi batterie indicati.** L'uso di gruppi batterie diverse può esporre al rischio di infortuni e incendi.
- c. **Quando non è in uso, il gruppo batterie va conservato lontano da oggetti metallici come graffette, monete, chiavi, chiodi, viti o altre minuterie in metallo che possono creare contatto tra i poli.** Il cortocircuito dei poli del gruppo batterie può causare ustioni o incendi.
- d. **In condizioni di sovraccarico, le batterie possono perdere liquido: evitare di toccarlo. In caso di contatto accidentale, sciacquare con acqua. Se il liquido entra**

a contatto con gli occhi, consultare un medico. Il liquido che fuoriesce dalla batteria può causare irritazioni o ustioni.

6. Assistenza

- a. **L'apparato elettrico deve essere riparato da personale qualificato, che utilizzi ricambi originali identici alle parti da sostituire.** Così facendo si eviterà di alterare la sicurezza dell'apparato elettrico.

Avvertenze di sicurezza aggiuntive per gli apparati elettrici



Avvertenza! Avvertenze di sicurezza aggiuntive per i seghetti alternativi e i seghetti a gattuccio

- ◆ **Sostenere l'apparato con supporti aventi superfici isolanti quando si eseguono lavorazioni in cui l'accessorio di taglio potrebbe toccare cavi elettrici nascosti.** Gli accessori da taglio che vengono a contatto con un cavo sotto tensione trasmettono la corrente elettrica anche alle parti metalliche esposte dell'apparato e possono provocare la folgorazione dell'operatore.
- ◆ **Usare morsa o altri metodi pratici per fissare e bloccare il pezzo da lavorare ad una piattaforma stabile.** Tenere il lavoro con le mani o contro il corpo non assicura la stabilità e potrebbe portare ad una perdita del controllo.
- ◆ **Non avvicinare mai le mani alla zona di taglio.** Non mettersi mai, per nessuna ragione, sotto il pezzo da lavorare. Non inserire le dita in vicinanza della lama e del morsetto di fissaggio della lama. Non stabilizzare il seghetto tenendolo sul piede.
- ◆ **Mantenere le lame affilate.** Le lame non affilate potrebbero far deviare o inceppare la sega sotto pressione. Utilizzare sempre il tipo di lama appropriato per il materiale del pezzo in lavorazione e per il tipo di taglio.
- ◆ **Quando si tagliano tubazioni o condotti, assicurarsi che siano liberi da acqua, cavi elettrici, ecc.**
- ◆ **Non toccare il pezzo da lavorare o la lama subito dopo l'utilizzo dell'apparato.** Possono diventare molto caldi.
- ◆ **Prima di tagliare pareti, pavimenti o soffitti, fare attenzione ai rischi nascosti e controllare la posizione di cablaggi e tubazioni.**
- ◆ **Dopo aver rilasciato l'interruttore, la lama continua a muoversi.** Prima di appoggiare l'apparato, spegnerlo sempre e attendere che la lama si arresti completamente.

Avvertenza! Il contatto o l'inspirazione di polveri generate da applicazioni di taglio con il seghetto può mettere a repentaglio la salute dell'operatore e delle persone vicine.

Indossare una maschera antipolvere appositamente progettata per proteggere dalle polveri e dai fumi tossici e

assicurarsi che siano protette anche le persone che si trovano all'interno dell'area di lavoro o che stanno per entrarvi.

- ◆ L'utilizzo previsto è indicato nel presente manuale di istruzioni.
- ◆ L'uso di accessori o attrezzature diversi, o l'impiego del presente apparato per scopi diversi da quelli raccomandati nel manuale d'uso, possono comportare il rischio di infortuni.

Sicurezza degli altri

- ◆ Questo apparecchio non è destinato per l'uso da parte di persone (compresi i bambini) con capacità fisiche, sensoriali o mentali ridotte, o prive di esperienza e conoscenza, a meno che non abbiano ottenuto sorveglianza o istruzioni riguardo all'uso dell'apparecchio da parte di una persona responsabile della loro sicurezza.
- ◆ I bambini devono essere sorvegliati per assicurarsi che non giochino con l'apparecchio.

Rischi residui

L'uso dell'apparato può comportare altri rischi residui che potrebbero non essere inclusi nelle avvertenze di sicurezza riportate. I rischi possono derivare da uso improprio, uso prolungato, ecc.

Nonostante l'applicazione delle principali regole di sicurezza e l'implementazione di dispositivi di sicurezza, alcuni rischi residui non possono essere evitati. Sono inclusi:

- ◆ Infortuni causati dal contatto con parti rotanti/in movimento.
- ◆ Infortuni che potrebbero verificarsi durante la sostituzione di qualsiasi parte, lama o accessorio.
- ◆ Infortuni causati dall'uso prolungato di un apparato. Durante l'uso prolungato di qualsiasi apparato, è necessario fare pause regolari.
- ◆ Menomazioni uditive.
- ◆ Rischi per la salute causati dall'inalazione delle polveri prodotte durante l'uso dell'apparato (ad esempio, durante la lavorazione del legno, in particolare rovere, faggio e MDF).

Vibrazione

I valori dichiarati di produzione di vibrazioni indicati nei dati tecnici e nella dichiarazione di conformità sono stati misurati in base al metodo di test standard indicato da EN 60745 e possono essere utilizzati per confrontare fra loro i diversi apparati. Il valore dichiarato di produzione di vibrazioni può essere usato anche per eseguire una valutazione preliminare dell'esposizione.

Avvertenza! Il valore di produzione di vibrazioni durante uso effettivo dell'apparato elettrico può essere diverso dal valore dichiarato, in funzione dell'uso dell'apparato. Il livello di vibrazioni può aumentare oltre il livello dichiarato.

Durante la valutazione dell'esposizione alle vibrazioni per determinare le misure di sicurezza richieste dalla direttiva 2002/44/EC, intesa a proteggere le persone che usano regolarmente gli apparati elettrici per svolgere il proprio lavoro, una valutazione dell'esposizione alle vibrazioni deve considerare le condizioni d'uso effettive e il modo in cui viene utilizzato l'apparato, inclusa la valutazione di ogni parte del ciclo operativo, come i tempi in cui l'apparato rimane spento e in cui è acceso senza eseguire lavori, oltre al tempo di accensione.

Etichette sull'apparato

L'apparato riporta i seguenti pittogrammi, insieme al codice della data:



Avvertenza! Per ridurre il rischio di infortuni, leggere il manuale di istruzioni.

Istruzioni di sicurezza aggiuntive per batterie e caricabatterie

Batterie

- ◆ Non tentare mai di aprirle per qualsiasi motivo.
- ◆ Non esporre la batteria all'acqua.
- ◆ Non conservare in luoghi dove la temperatura potrebbe superare i 40 °C.
- ◆ Caricare solo a temperature ambiente comprese fra 10 °C e 40 °C.
- ◆ Per la ricarica usare solo il caricabatterie fornito insieme all'apparato.
- ◆ Per lo smaltimento delle batterie, seguire le istruzioni fornite nella sezione "Protezione dell'ambiente".



Non cercare di caricare batterie danneggiate.

Caricabatterie

- ◆ Utilizzare il caricabatterie BLACK+DECKER solo per caricare la batteria dell'apparato con cui è stata fornita. Altre batterie potrebbero scoppiare provocando lesioni personali e danni.
- ◆ Non cercare mai di caricare batterie non ricaricabili.
- ◆ Far sostituire immediatamente i cavi difettosi.
- ◆ Non esporre il caricabatterie all'acqua.
- ◆ Non aprire il caricabatterie.
- ◆ Non eseguire misurazioni sul caricabatterie.



Il caricabatterie è destinato solo all'uso in ambienti interni.



Leggere il manuale di istruzioni prima dell'uso.

Sicurezza elettrica



Il caricabatterie è dotato di doppio isolamento, quindi non è richiesto alcun conduttore di messa a terra. Controllare sempre che la tensione della rete elettrica corrisponda a quella riportata sulla targhetta. Non tentare mai di sostituire il caricabatterie con una normale spina di alimentazione.

- ◆ Se il cavo di alimentazione è danneggiato, per evitare rischi deve essere sostituito dal produttore o da un Centro di assistenza BLACK+DECKER autorizzato.

Caratteristiche

L'apparato riporta i seguenti simboli, insieme al codice della data:

1. Interruttore a velocità variabile
2. Pulsante di blocco interruttore
3. Levetta di bloccaggio della lama
4. Morsetto della lama
5. Rullino di supporto della lama
6. Piastra del piede
7. Pulsante dell'azione di taglio

Fig. A (solo BDCJS18)

Questo apparato include alcune o tutte le seguenti caratteristiche.

8. Batteria
9. Caricabatterie

Assemblaggio

Avvertenza! Prima dell'assemblaggio, rimuovere la batteria dall'apparato e assicurarsi che la lama sia ferma. Le lame appena utilizzate possono essere molto calde.

Montaggio e smontaggio della lama (fig. B)

- ◆ Tenere la lama (11) con i denti rivolti in avanti.
- ◆ Sollevare la levetta di bloccaggio della lama (3).
- ◆ Inserire completamente lo stelo della lama nel morsetto della lama (4) fino a quando non si ferma.
- ◆ Sbloccare la leva.
- ◆ Per rimuovere la lama (11), sollevare la levetta di bloccaggio della lama (3) ed estrarre la lama.

Montaggio e smontaggio della batteria (fig. C)

- ◆ Per inserire la batteria (8), allinearla con l'alloggiamento dell'apparato. Introdurre la batteria nell'alloggiamento e spingerla fino a quando la batteria non scatta in posizione.
- ◆ Per rimuovere la batteria, premere il pulsante di rilascio (12) e contemporaneamente estrarre la batteria dall'alloggiamento.

Uso

Avvertenza! Lasciar lavorare l'apparato alla velocità prevista. Non sovraccaricare.

Avvertenza! Non utilizzare mai l'apparato quando il piede del seghetto è allentato o rimosso.

Ricarica della batteria (fig. A)

La batteria deve essere caricata prima del primo utilizzo e ogni volta che non riesce produrre potenza sufficiente per eseguire lavori che prima venivano svolti agevolmente.

Durante la ricarica, la batteria potrebbe scaldarsi; questo è normale e non indica un problema.

Avvertenza! Non caricare la batteria quando la temperatura ambiente è inferiore a 10 °C o superiore a 40 °C. Temperatura consigliata per la ricarica: circa 24 °C.

Nota: Il caricabatteria non carica la batteria se la temperatura della cella è inferiore a 10 °C o superiore a 40 °C circa. La batteria deve essere lasciata nel caricabatterie e il caricabatterie inizierà a caricarla automaticamente quando la temperatura della cella diverrà più calda o più fresca.

- ◆ Per caricare la batteria (8), inserirla nel caricabatterie (9). La batteria si inserisce nel caricabatterie solo in un senso. Non forzare. Assicurarsi che la batteria sia inserita completamente nel caricabatterie.
- ◆ Collegare il caricabatteria alla rete e accenderlo. L'indicatore di carica lampeggerà. La carica è completata quando l'indicatore di carica rimane continuamente acceso.
- ◆ Il caricabatterie e la batteria possono essere lasciati connessi indefinitamente.
- ◆ Caricare le batterie scariche entro 1 settimana. Se le batterie vengono conservate scariche, la loro durata si ridurrà notevolmente.

Lasciare la batteria nel caricabatterie

Il caricabatterie e il gruppo batterie possono essere lasciati connessi indefinitamente il LED acceso. Il caricabatterie manterrà il gruppo batterie pronto per l'uso e completamente carico.

Diagnostica del caricabatterie

Se il caricabatterie rileva una batteria debole o danneggiata, l'indicatore di carica lampeggia rapidamente di luce rossa.

Procedere come segue:

- ◆ Reinserire la batteria (8).
- ◆ Se gli indicatori di carica continuano a brillare rapidamente di luce rossa, usare una batteria diversa per determinare se il processo di carica funziona correttamente.
- ◆ Se la batteria sostituita si carica correttamente, la batteria originale è difettosa e dovrebbe essere riportata a un centro di assistenza per essere riciclata.

- ◆ Se la nuova batteria fornisce le stesse indicazioni della batteria originale, far verificare il caricabatterie presso un centro di assistenza autorizzato.

Nota: Per determinare se la batteria è difettosa, potrebbero essere necessari fino a 30 minuti. Se la batteria è troppo calda o troppo fredda, il LED si accende alternativamente e ripetutamente di luce rossa, rapidamente e lentamente, con un lampeggio a ogni velocità.

Accensione e spegnimento (fig. D ed E)

- ◆ Per accendere, far scorrere l'interruttore di blocco esclusione (2) verso sinistra, quindi tener premuto il comando a velocità variabile (1).
 - ◆ Per spegnere, rilasciare l'interruttore di attivazione (1).
- Avvertenza!** Non accendere o spegnere l'apparato durante la lavorazione.
- Avvertenza!** Fare scorrere sempre l'interruttore di blocco esclusione (2) verso destra, in posizione di blocco quando l'apparato non è in uso.

Controllo a velocità variabile

L'interruttore di accensione/spegnimento a velocità variabile permette di scegliere la velocità di taglio in modo da selezionare quella ottimale per i diversi materiali.

- ◆ La velocità è determinata dalla pressione applicata sull'interruttore (1).

Taglio angolato (fig. F, G e H)

La piastra del seghetto può essere inclinata verso sinistra o verso destra a un angolo di 22,5° o 45°.

Per impostare l'angolazione:

- ◆ Allentare il dado di fissaggio del piede (13) con la chiave esagonale fornita (14) in modo da sbloccare la piastra del piede (6).
- ◆ Far scorrere la piastra del piede (6) in avanti per sbloccarla dalla posizione a 0°.
- ◆ Ruotare la piastra del piede fino all'angolazione richiesta (fig. G).
- ◆ Fare scorrere indietro la piastra del piede per fissarla in posizione angolata verso sinistra o verso destra.
- ◆ Serrare il dado di fissaggio del piede (13) con la chiave esagonale fornita (14) in modo da bloccare la piastra del piede (6) nella posizione richiesta.

Nota: È possibile inclinare la piastra di appoggio a sinistra o a destra alle posizioni preimpostate a 22,5° e 45°.

Azione di taglio (fig. I)

Questo seghetto alternativo è munito di quattro azioni di taglio, due orbitali e una diritta. L'azione orbitale presenta un movimento più aggressivo della lama ed è progettato per il taglio di materiali morbidi, come il legno o la plastica. L'azione

orbitale esegue un taglio più veloce, ma meno uniforme attraverso il materiale. Nell'azione orbitale, la lama si sposta in avanti durante la corsa di taglio oltre che con un movimento in alto e in basso.

Avvertenza! non tagliare mai metalli o materiali in legno duro con l'azione orbitale.

- ◆ Far scorrere il pulsante dell'azione di taglio (7) per commutare le tre diverse azioni: 0, 1 e 2.
- ◆ La posizione 0 è per il taglio diritto.
- ◆ Le posizioni 1 e 2 sono per il taglio orbitale.
- ◆ L'aggressività del taglio aumenta man mano che la leva viene regolata da uno a tre, dove tre è il taglio più aggressivo.

Taglio

- ◆ Impugnare sempre l'apparato con entrambe le mani.
- ◆ Lasciare funzionare liberamente la lama per alcuni secondi prima di iniziare il taglio.
- ◆ Durante l'esecuzione del taglio, applicare solo una leggera pressione sull'apparato.
- ◆ Se possibile, lavorare tenendo il piede del seghetto (6) premuto contro il pezzo da lavorare. In questo modo si migliora il controllo dell'apparato e se ne riducono le vibrazioni, oltre a impedire che la lama si danneggi.

Suggerimenti per l'uso ottimale

Generali

- ◆ Utilizzare una velocità elevata per il legno, una velocità media per l'alluminio e il PVC e una velocità bassa per i metalli diversi dall'alluminio.

Come segare i laminati

Quando la lama del seghetto si muove verso l'alto, la superficie più vicina alla piastra del piede potrebbe scheggiarsi.

- ◆ Usare una lama a denti fini.
- ◆ Segare appoggiandosi alla superficie posteriore del pezzo.
- ◆ Per ridurre al minimo la scheggiatura, fissare un pezzo di legno di scarto o un pannello di truciolare di scarto su entrambi i lati del pezzo in lavorazione e segare l'intero sandwich di materiali.

Come segare il metallo

Tener presente che segare il metallo richiede molto più tempo del legno.

- ◆ Usare una lama per metalli. Utilizzare una lama con denti più fini per i metalli ferrosi e una lama meno fine per i metalli non ferrosi.
- ◆ Quando si taglia la lamiera, fissare un pezzo di legno di scarto sulla superficie posteriore del pezzo in lavorazione e segare l'intero sandwich di materiali.

- ◆ Versare un velo d'olio lungo la linea di taglio desiderata.

Accessori

Le prestazioni dell'apparato dipendono dall'accessorio utilizzato. Gli accessori BLACK+DECKER sono stati progettati secondo standard di alta qualità, con lo scopo di migliorare le prestazioni dell'apparato. L'uso di questi accessori permette di ottenere il meglio dall'apparato. L'apparato è adatto all'uso di lame con stelo a U e con stelo a T.

Manutenzione

L'apparato è stato studiato per funzionare a lungo richiedendo minime operazioni di manutenzione. Prestazioni sempre soddisfacenti dipendono da una cura appropriata e da una pulizia regolare.

Avvertenza! Prima di eseguire qualsiasi operazione di manutenzione, spegnere e scollegare l'apparato.

- ◆ Pulire regolarmente le aperture di ventilazione dell'apparato e del caricabatterie utilizzando un pennello morbido o un panno asciutto.
- ◆ Pulire regolarmente l'alloggiamento del motore utilizzando un panno umido. Non usare detersivi abrasivi o a base di solventi.
- ◆ Applicare di tanto in tanto un goccia d'olio sull'asse del rullino di appoggio della lama (5).

Protezione dell'ambiente



Raccolta differenziata. I prodotti e le batterie contrassegnati con questo simbolo devono essere smaltiti con i rifiuti domestici normali.

Essi contengono materiali che possono essere recuperati o riciclati riducendo la richiesta di materie prime. Riciclare i prodotti elettrici e le batterie secondo le disposizioni locali. Ulteriori informazioni sono disponibili all'indirizzo www.2helpU.com.

Dati Tecnici

BDCJS18 H1		
Tensione	V _{cc}	18
Velocità a vuoto	min ⁻¹	0-2500
Profondità max. taglio	mm	19
Profondità massima di taglio:		
Legno	mm	55
Acciaio	mm	8
Alluminio	mm	20
Peso	Kg	1.87

Caricabatterie		905902**/ N4940**	905998**/ 906349**
Input voltage	V _{AC}	100-240	220-240
Output voltage	V _{DC}	8-20	8-20
Current	mA	400	1000
Tempo di carica approssimativo	Ore	3-11	1.5-5

Batteria		BL2018*	BL2518*	BL1518*	BL4018
Tensione	V _{DC}	18	18	18	18
Capacità	Ah	2.0	2.5	1.5	4.0
Tipo		Agli ioni di litio	Agli ioni di litio	Agli ioni di litio	Agli ioni di litio

Livello di pressione sonora misurato in base a EN60745:	
L _{pa} (pressione sonora)	84,5 dB(A), approssimazione (K) 3 dB(A)
L _{wa} (potenza sonora)	95,5 dB(A), approssimazione (K) 3 dB(A)

Valori totali di vibrazione (somma dei tre valori assiali) in base alla normativa EN 60745:	
aglio di assi (a _{hB})	6 m/s ² , approssimazione (K) 1,5 m/s ²
Taglio di lamiera di metallo (a _{hM})	4,3 m/s ² , approssimazione (K) 1,5 m/s ²

Dichiarazione di conformità CE

DIRETTIVA MACCHINE



Seghetto alternativo senza filo - BDCJS18

Black & Decker dichiara che i prodotti descritti nei "dati tecnici" sono conformi a:

EN60745-1:2009+A11:2010, EN60745-2-11:2010

Questi prodotti sono conformi alle Direttive 2006/42/EC, 2014/30/UE e 2011/65/UE.

Per ulteriori informazioni, contattare Black & Decker al seguente indirizzo oppure consultare l'ultima di copertina del manuale.

Il sottoscritto è responsabile della redazione di questo documento tecnico e rilascia questa dichiarazione per conto di Black & Decker.

R. Laverick
Director of Engineering
Black & Decker Europe, 210 Bath Road, Slough,
Berkshire, SL1 3YD
Regno Unito
19/10/2018

Garanzia

Black & Decker è sicura della qualità dei propri prodotti e offre ai consumatori una garanzia di 24 mesi dalla data di acquisto. Il presente certificato di garanzia è complementare ai diritti legali e non li pregiudica in alcun modo. La garanzia è valida sui territori degli Stati membri dell'Unione Europea o dell'EFTA (Associazione europea di libero scambio).

Per attivare la garanzia, il reclamo deve essere effettuato in accordo con i Termini e Condizioni Black & Decker e sarà necessario presentare la prova di acquisto al venditore o all'agente di riparazione autorizzato. I Termini e condizioni della garanzia Black & Decker di 2 anno e la sede dell'agente di riparazione autorizzato più vicino sono consultabili su Internet all'indirizzo www.2helpU.com, o contattando l'ufficio Black & Decker di zona all'indirizzo indicato in questo manuale.

Visitare il nostro sito www.blackanddecker.it per registrare il prodotto Black & Decker appena acquistato e ricevere gli aggiornamenti su nuovi prodotti e offerte speciali.

Bedoeld gebruik

Uw BLACK+DECKER™ BDCJS18 decoupeerzaag is ontworpen voor het zagen van hout, kunststof en plaatstaal. Dit gereedschap is uitsluitend bestemd voor consumentengebruik.

Instructies voor de veiligheid

Algemene veiligheids waarschuwingen voor elektrisch gereedschap



Waarschuwing! Lees alle veiligheids waarschuwingen en alle instructies. Het niet opvolgen van de waarschuwingen en instructies kan leiden tot een elektrische schok, brand en/of ernstig persoonlijk letsel.

Bewaar alle waarschuwingen en instructies zodat u deze later ook nog kunt raadplegen. De term 'elektrisch gereedschap' in de onderstaande vermelde waarschuwingen verwijst naar uw (met een snoer) op de netspanning aangesloten elektrisch gereedschap of naar (draadloos) elektrisch gereedschap met een accu.

1. Veiligheid op de werkplek

- Houd het werkgebied schoon en goed verlicht.** Rommelige of donkere werkplekken leiden tot ongelukken.
- Bedien elektrisch gereedschap niet in een explosieve omgeving, zoals in de nabijheid van ontvlambare vloeistoffen, gassen of stof.** Elektrische gereedschappen veroorzaken vonken die het stof of de dampen kunnen doen ontbranden.
- Houd kinderen en omstanders op een afstand wanneer u elektrisch gereedschap bedient.** Als u wordt afgeleid, kunt u de controle over het gereedschap verliezen.

2. Elektrische veiligheid

- Stekkers van elektrisch gereedschap moeten in het stopcontact passen. Pas de stekker nooit op enige manier aan. Gebruik geen adapterstekkers samen met geaard elektrisch gereedschap.** Niet aangepaste stekkers en passende contactdozen verminderen het risico op een elektrische schok.
- Vermijd lichamelijk contact met geaarde oppervlakken zoals buizen, radiatoren, fornuizen en ijskasten.** Er bestaat een verhoogd risico op een elektrische schok als uw lichaam geaard is.
- Stel elektrisch gereedschap niet bloot aan regen of natte omstandigheden.** Als er water in een elektrisch gereedschap terecht komt, verhoogt dit het risico op een elektrische schok.

- d. **Behandel het snoer voorzichtig. Gebruik het stroomsnoer nooit om het elektrische gereedschap te dragen of te trekken, of de stekker uit het stopcontact te halen. Houd het snoer uit de buurt van warmte, olie, scherpe randen, of bewegende onderdelen.** Beschadigde snoeren of snoeren die in de war zijn verhogen het risico op een elektrische schok.
- e. **Als u elektrisch gereedschap buitenshuis gebruikt, dient u een verlengsnoer te gebruiken dat geschikt is voor gebruik buitenshuis.** Het gebruik van een verlengsnoer dat geschikt is voor buitenshuis, vermindert het risico van een elektrische schok.
- f. **Als het gebruik van elektrisch gereedschap op een vochtige locatie onvermijdelijk is, dient u een stroomvoorziening te gebruiken die beveiligd is met een aardlekschakelaar.** Het gebruik van een aardlekschakelaar vermindert het risico op een elektrische schok.
3. **Persoonlijke veiligheid**
- a. **Blijf alert, kijk wat u doet en gebruik uw gezond verstand wanneer u elektrisch gereedschap bedient. Gebruik het gereedschap niet als u vermoeid bent of onder de invloed van drugs, alcohol of medicatie bent.** Een moment van onoplettendheid tijdens het bedienen van elektrische gereedschappen kan leiden tot ernstig persoonlijk letsel.
- b. **Draag persoonlijke beschermende kleding. Draag altijd oogbescherming.** Beschermende uitrusting, zoals een stofmasker, antislip veiligheidsschoenen, een helm, of gehoorbescherming, gebruikt in de juiste omstandigheden, zal het risico op persoonlijk letsel verminderen.
- c. **Vermijd onbedoeld starten. Zorg ervoor dat de schakelaar in de off-stand (uit) staat voordat u het gereedschap aansluit op de stroombron en/of accu, het oppakt of draagt.** Het rondragen van elektrische gereedschappen met uw vinger op de schakelaar of het aanzetten van elektrische gereedschappen waarvan de schakelaar aan staat, zorgt voor ongelukken.
- d. **Verwijder alle stelsleutels of moersleutels voordat u het elektrische gereedschap aan zet.** Een moersleutel of stelsleutel die in een ronddraaiend onderdeel van het elektrische gereedschap is achtergelaten kan leiden tot persoonlijk letsel.
- e. **Rek u niet te ver uit. Blijf altijd stevig en in balans op de grond staan.** Dit zorgt voor betere controle van het elektrische gereedschap in onverwachte situaties.
- f. **Draag de juiste kleding. Draag geen loszittende kleding of sieraden. Houd uw haar, kleding en handschoenen uit de buurt van bewegende onderdelen.** Loszittende kleding, sieraden of lang haar kunnen door bewegende delen worden gegrepen.
- g. **Als er in hulpmiddelen worden voorzien voor het aansluiten van stofverwijdering- of verzamelapparatuur, zorg er dan voor dat deze correct worden aangesloten en gebruikt.** Het gebruik van een stofverzamelaar kan aan stof gerelateerde gevaren verminderen.
4. **Gebruik en onderhoud van elektrisch gereedschap**
- a. **Forceer het elektrische gereedschap niet. Gebruik het juiste elektrische gereedschap voor uw toepassing.** Het juiste elektrische gereedschap voert de werkzaamheden beter en veiliger uit waarvoor het is ontworpen.
- b. **Gebruik het elektrische gereedschap niet als de schakelaar het apparaat niet aan en uit kan zetten.** Ieder gereedschap dat niet met de schakelaar kan worden bediend is gevaarlijk en moet worden gerepareerd.
- c. **Haal de stekker uit het stopcontact en/of neem de accu uit het gereedschap voordat u aanpassingen uitvoert, accessoires verwisselt of het elektrische gereedschap opbergt.** Dergelijke preventieve veiligheidsmaatregelen verminderen het risico dat het elektrische gereedschap per ongeluk opstart.
- d. **Berg elektrisch gereedschap dat niet wordt gebruikt op buiten het bereik van kinderen en laat geen personen die onbekend zijn met het elektrisch gereedschap of deze instructies het gereedschap bedienen.** Elektrische gereedschappen zijn gevaarlijk in handen van ongetrainde gebruikers.
- e. **Onderhoud elektrisch gereedschap. Controleer op verkeerde uitlijning of het grijpen van bewegende onderdelen, breuk van onderdelen en andere omstandigheden die de werking van het gereedschap nadelig kunnen beïnvloeden. Zorg dat het gereedschap voor gebruik wordt gerepareerd als het beschadigd is.** Veel ongelukken worden veroorzaakt door slecht onderhouden gereedschap.
- f. **Houd snijdgereedschap scherp en schoon.** Correct onderhouden snijdgereedschappen met scherpe snijdranden lopen minder snel vast en zijn gemakkelijker te beheersen.
- g. **Gebruik het elektrische gereedschap, de accessoires en gereedschapsonderdelen, etc. in overeenstemming met deze instructies, waarbij u rekening houdt met de werkomstandigheden en de uit te voeren werkzaamheden.** Gebruik van het elektrische gereedschap voor werkzaamheden die anders zijn dan het bedoelde gebruik, kunnen leiden tot een gevaarlijke situatie.
5. **Gebruik en onderhoud van accugereedschap**
- a. **Laad de accu alleen op met de oplader die wordt opgegeven door de fabrikant.** Een lader die geschikt is

- voor het ene type accu, kan een risico van brand doen ontstaan bij gebruik met een andere accu.
- b. **Gebruik elektrisch gereedschap alleen met de speciaal aangeduide accu.** Gebruik van een andere accu kan een risico van letsel en brand doen ontstaan.
- c. **Houd de accu, wanneer u deze niet gebruikt, weg bij andere metalen objecten zoals paperclips, munten, sleutels, spijkers, schroeven of andere kleine metalen voorwerpen die een verbinding tot stand kunnen brengen tussen de ene pool en de andere.** Wanneer kortsluiting ontstaat tussen de polen van de accu, kan dat brandwonden of brand veroorzaken.
- d. **Wanneer de accu slecht wordt behandeld, kan er vloeistof uit de accu spuiten, vermijd contact met deze vloeistof. Als er per ongeluk contact ontstaat, spoel dan met water. Als de vloeistof in de ogen komt, roep dan tevens medische hulp in.** Vloeistof die uit de batterij komt, kan irritatie en brandwonden veroorzaken.
6. **Service**
- a. **Laat uw gereedschap onderhouden door een erkende reparateur die uitsluitend identieke vervangende onderdelen gebruikt.** Dit zorgt ervoor dat de veiligheid van het gereedschap blijft gegarandeerd.

Bijkomende veiligheidswaarschuwingen voor elektrisch gereedschap



Waarschuwing! Bijkomende veiligheidswaarschuwingen voor decoupeer- en reciprozagen

- ◆ **Houd het gereedschap alleen vast aan geïsoleerde oppervlakken als u een handeling uitvoert waarbij het accessoire van het zaaggereedschap in contact kan komen met verborgen bedrading.** Accessoires van zaaggereedschap die in contact komen met bedrading die 'onder stroom' staat, kunnen metalen onderdelen van het gereedschap 'onder stroom' zetten en de gebruiker een elektrische schok geven.
- ◆ **Zet het werkstuk met klemmen of op een andere praktische manier vast en ondersteun het op een stabiele ondergrond.** Wanneer u het werkstuk vasthoudt met de hand of het tegen uw lichaam gedrukt houdt, is het instabiel en kunt u de controle verliezen.
- ◆ **Houd uw handen verwijderd van het zaaggebied.** Reik niet om welke reden dan ook onder het werkstuk. Plaats uw vingers of duim nooit in de buurt van het reciprozaagblad en de zaagklem. Stabiliseer de zaag niet door de zaagschoen vast te nemen.
- ◆ **Houd zaagbladen scherp.** Een stomp of beschadigd zaagblad kan ertoe leiden dat de zaag slingert of onder druk vastloopt. Gebruik altijd het gepaste type zaagblad

- voor het type en materiaal van het werkstuk dat u wilt zagen.
- ◆ **Als u een buis of leiding zaagt, zorg dat deze vrij van water, elektrische bedrading, etc. is.**
 - ◆ **Raak het werkstuk of het zaagblad niet aan onmiddellijk na het werken met het gereedschap.** Deze kunnen zeer heet worden.
 - ◆ **Let op voor verborgen gevaren voordat u in muren, vloeren of plafonds zaagt. Controleer de locatie op eventuele bedrading en buizen.**
 - ◆ **Het zaagblad blijft na het loslaten van de schakelaar in beweging.** Schakel het gereedschap altijd uit en wacht totdat het zaagblad tot een volledige stilstand is gekomen voordat u het gereedschap neerlegt.

Waarschuwing! Contact met of inademing van de stofdeeltjes die door het zagen vrijkomen, kunnen de gezondheid van de bediener en mogelijke omstanders schaden. Draag een stofmasker dat speciaal is ontworpen voor bescherming tegen stofdeeltjes en damp en let erop dat personen op de werkplek of personen die de werkplek betreden, ook beschermd zijn.

- ◆ Het bedoeld gebruik wordt beschreven in deze gebruiksaanwijzing.
- ◆ Het gebruik van een accessoire of hulpstuk dat niet wordt aanbevolen of het uitvoeren van een andere handeling met dit gereedschap dan wordt aanbevolen in deze gebruikershandleiding, kan leiden tot gevaar voor persoonlijk letsel en/of materiële schade.

Veiligheid van andere personen

- ◆ Het is niet de bedoeling dat dit gereedschap wordt gebruikt door personen (waaronder kinderen) met verminderde fysieke, sensorische of psychische vermogens, of door personen die het ontbreekt aan ervaring en kennis, tenzij onder toezicht en na instructie over het gebruik van het apparaat door iemand die verantwoordelijk is voor hun veiligheid.
- ◆ Houd toezicht op kinderen zodat ze niet met het apparaat kunnen spelen.

Overige risico's

Er kunnen zich tijdens het gebruik van het gereedschap ook andere risico's voordoen die misschien niet in de bijgevoegde veiligheidswaarschuwingen worden vermeld. Deze risico's kunnen zich voordoen als gevolg van onoordeelkundig gebruik, langdurig gebruik, enz.

Ook al worden de relevante veiligheidsvoorschriften en de veiligheidsvoorzieningen toegepast, bepaalde risico's kunnen niet worden vermeden. Deze omvatten:

- ◆ Verwondingen die worden veroorzaakt door het aanraken van draaiende/bewegende delen.
- ◆ Verwondingen die worden veroorzaakt tijdens het vervangen van onderdelen, zaagbladen of accessoires.

- ◆ Verwondingen die worden veroorzaakt door een langdurig gebruik van een gereedschap. Las regelmatig een pauze in wanneer u een gereedschap gedurende een lange periode gebruikt.
- ◆ Gehoorbeschadiging.
- ◆ Gezondheidsrisico's die worden veroorzaakt door het inademen van stof dat door uw gereedschap wordt gegenereerd (bijv.: werken met hout, in het bijzonder eik, beuk en MDF).

- ◆ Laad de accu alleen op bij een omgevingstemperatuur tussen 10 °C en 40 °C.
- ◆ Laad de accu alleen op met de lader die met het gereedschap is meegeleverd.
- ◆ Wanneer u accu's weggooit, dient u de instructies vermeld in de rubriek 'Het milieu beschermen' te volgen.



Probeer nooit om een beschadigde accu op te laden.

Laders

- ◆ Gebruik uw BLACK+DECKER lader alleen om de accu die met het gereedschap is meegeleverd op te laden. Andere accu's zouden uit elkaar kunnen springen en persoonlijk letsel en schade kunnen veroorzaken.
- ◆ Probeer nooit om wegwerpbatterijen op te laden.
- ◆ Laat een defect snoer onmiddellijk vervangen.
- ◆ Stel de lader niet bloot aan water.
- ◆ Haal de lader niet uit elkaar.
- ◆ Voer geen testen op de lader uit.



De lader is alleen bestemd voor gebruik binnenshuis.



Lees de gebruikershandleiding voor gebruik.

Elektrische veiligheid



Uw lader is dubbel geïsoleerd; een aarding is daarom niet noodzakelijk. Zorg er altijd voor dat de netspanning overeenstemt met de spanning die op het typeplaatje is vermeld. Probeer nooit om de lader te vervangen door een gewone stekker.

- ◆ Laat het snoer vervangen door de fabrikant of een erkend BLACK+DECKER-servicecentrum als het beschadigd is om elk gevaar te voorkomen.

Onderdelen

De volgende symbolen zijn samen met de datumcode op het gereedschap vermeld:

1. Aan/Uit-schakelaar variabele snelheid
2. Vergrendelknop
3. Vergrendelingshendel voor zaagblad
4. Zaagbladklem
5. Steunrol voor zaagblad
6. Zaagschoen
7. Zaagfunctieknop

afb. A (alleen BDCJS18)

Dit gereedschap bevat bepaalde of alle onderstaande onderdelen:

8. Accu
9. Acculader

Trilling

De aangegeven waarden voor trillingsemissie in de technische gegevens en de verklaring van overeenstemming zijn gemeten conform een standaardtestmethode die door EN 60745 wordt geboden. Hiermee kan het ene gereedschap met het andere worden vergeleken. De aangegeven waarde voor trillingsemissie kan ook worden gebruikt bij een voorlopige bepaling van blootstelling.

Waarschuwing! De waarde voor trillingsemissie tijdens het werkelijke gebruik van het gereedschap kan verschillen van de aangegeven waarde afhankelijk van de manieren waarop het gereedschap wordt gebruikt. Het trillingsniveau kan hoger worden dan het aangegeven niveau.

Wanneer de blootstelling aan trillingen wordt vastgesteld teneinde veiligheidsmaatregelen te bepalen die worden vereist door 2002/44/EG ter bescherming van personen die tijdens hun werk regelmatig elektrisch gereedschap gebruiken, moet bij een schatting van de blootstelling aan trillingen rekening worden gehouden met de werkelijke omstandigheden van het gebruik en de manier waarop het gereedschap wordt gebruikt. Daarbij moet ook rekening worden gehouden met alle stappen in de gebruikscyclus, zoals het moment waarop het gereedschap wordt uitgeschakeld en wanneer het gereedschap stationair loopt alsook de aanlooptijd.

Etiketten op het gereedschap

De volgende pictogrammen zijn samen met de datumcode op het gereedschap vermeld:



Waarschuwing! Om het risico op letsel te beperken, dient de gebruiker de gebruikershandleiding te lezen.

Bijkomende veiligheidsinstructies voor accu's en laders

Accu's

- ◆ Probeer nooit de accu om welke reden dan ook open te maken.
- ◆ Stel de accu niet bloot aan water.
- ◆ Om het risico op letsel te beperken, dient de gebruiker de gebruikershandleiding te lezen.

Montage

Waarschuwing! Voor montage, haalt u de accu uit het gereedschap en wacht u totdat het zaagblad volledig tot stilstand is gekomen. Gebruikte zaagbladen kunnen zeer warm zijn.

Het zaagblad plaatsen en verwijderen (afb. B)

- ◆ Houd het zaagblad (11) met de tanden naar voren gericht.
- ◆ Breng de vergrendelingshendel voor zaagblad (3) omhoog.
- ◆ Breng de schacht van het zaagblad volledig in de zaagbladklem (4) tot op het einde.
- ◆ Laat de hefboom los.
- ◆ Om het zaagblad (11) af te halen, brengt u de vergrendelingshendel voor zaagblad (3) omhoog en trekt u het zaagblad uit het gereedschap.

De accu plaatsen en verwijderen (afb. C)

- ◆ Om de accu (8) te plaatsen, brengt u deze op één lijn met het contact in het gereedschap. Schuif de accu in het contact en duw totdat de accu op zijn plaats klikt.
- ◆ Om de accu te verwijderen, duwt u op de ontgrendelingsknop (12) terwijl u de accu uit het contact trekt.

Gebruik

Waarschuwing! Laat het gereedschap op haar eigen ritme werken. Overbelast het niet.

Waarschuwing! Gebruik het gereedschap niet als de zaagschoen los zit of verwijderd is.

De accu opladen (Afb. A)

De accu moet worden opgeladen voor ingebruikname en telkens er onvoldoende vermogen is om de werkzaamheden, die voorheen eenvoudig uitgevoerd konden worden, op een juiste manier af te werken. De accu kan tijdens het laden warm worden; dit is normaal en wijst niet op een storing.

Waarschuwing! Laad de accu niet op bij een omgevingstemperatuur lager dan 10 °C of hoger dan 40 °C. Aanbevolen laadtemperatuur: circa 24 °C.

Opmerking: de lader laadt de accu niet op als de celtemperatuur lager dan circa 10 °C of hoger dan 40 °C is.

Laat de accu in de lader zitten en de lader start automatisch met opladen wanneer de celtemperatuur opwarmt of afkoelt.

- ◆ Om de accu (8) op te laden, plaatst u deze in de lader (9). De accu kan slechts op één manier in de lader worden gestoken. Forceer niet. Zorg dat de accu op een juiste manier in de lader is geplaatst.
- ◆ Steek de stekker van de lader in een stopcontact. Het oplaadcontrolelampje knippert. De accu is volledig opgeladen zodra het oplaadcontrolelampje continu brandt.

- ◆ De lader en de accu kunnen onbeperkt met elkaar verbonden blijven.
- ◆ Laad ontladen accu's binnen 1 week op. De levensduur van de accu wordt aanzienlijk korter wanneer deze in een ontladen toestand wordt opgeborgen.

De accu in de lader laten zitten

De lader en de accu kunnen onbeperkt met elkaar verbonden blijven terwijl de led blijft branden. De lader houdt de accu gezond en volledig opgeladen.

Diagnostiek van de lader

Als de lader een zwakke of beschadigde accu detecteert, knippert het oplaadcontrolelampje aan een hoge snelheid rood. Voer het volgende uit:

- ◆ Breng de accu (8) opnieuw in.
- ◆ Als het oplaadcontrolelampje nog steeds aan een hoge snelheid rood knippert, dient u een andere accu te gebruiken om na te gaan of het laadproces juist wordt uitgevoerd.
- ◆ Als de andere accu op een juiste manier wordt opgeladen, is de originele accu defect en moet deze voor recycling naar een servicecentrum worden gebracht.
- ◆ Als de nieuwe accu hetzelfde aangeeft als de originele accu, brengt u de lader naar een erkend servicecentrum om te laten testen.

Opmerking: het kan tot 30 minuten duren om te bepalen of een accu al dan niet defect is. Als de accu te warm of te koud is, knippert de led afwisselend snel en langzaam rood.

In- en uitschakelen (afb. D & E)

- ◆ Om in te schakelen, schuift u de vergrendelingsknop (2) naar links, trekt u vervolgens aan de drukschakelaar met variabele snelheid (1) en houdt u deze vast.
- ◆ Om uit te schakelen, laat u de drukschakelaar (1) los.

Waarschuwing! Schakel het gereedschap niet in of uit als het belast is.

Waarschuwing! Schuif de vergrendelingsknop (2) altijd naar rechts (de vergrendelde positie) wanneer het gereedschap niet wordt gebruikt.

Variabele snelheidsregeling

De aan/uit-schakelaar met variabele snelheid biedt verschillende zaagsnelheden om het materiaal aan de best mogelijke snelheid te zagen.

- ◆ De snelheid is afhankelijk van de mate waarbij aan de drukschakelaar (1) getrokken wordt.

Schuin zagen (afb. F, G & H)

De zaagschoen kan zowel naar links als rechts op een schuine hoek van 22,5° of 45° worden ingesteld.

Om de schuine hoek in te stellen:

- ◆ Maak de vastzetbout van de schoen (13) los met behulp van de meegeleverde inbussleutel (14) om de zaagschoen (6) los te maken.
- ◆ Schuif de zaagschoen (6) naar voren om deze van het 0° palletje los te maken.
- ◆ Draai de zaagschoen naar de gewenste schuine hoek (afb. G).
- ◆ Schuif de zaagschoen achteruit om in het linker- of rechterpalletje vast te zetten.
- ◆ Maak de vastzetbout van de schoen (13) vast met behulp van de meegeleverde inbussleutel (14) om de zaagschoen (6) in de vereiste positie vast te zetten.

Opmerking: u kunt de zaagschoen zowel naar links als rechts schuin zetten in de standen 22,5° en 45°.

Zaagfuncties (afb. I)

Deze decoupeerzaag heeft drie zaagfuncties, twee rond en één recht. De ronde zaagwerking heeft een agressievere zaagbladbeweging en is ontworpen voor het zagen van zachte materialen zoals hout en kunststof. De ronde zaagwerking geeft een snellere zaagbeweging, maar een minder gelijkmatige zaagsnede door het materiaal. Bij de ronde zaagbeweging beweegt het zaagblad naar voren tijdens de zaagslag, in aanvulling op de op- en neergaande beweging.

Waarschuwing! Metaal en hardhout moet u nooit rond zagen.

- ◆ Schuif de zaagfunctieknop (7) naar een van de drie mogelijke zaagposities: 0, 1 en 2.
- ◆ Positie 0 is voor recht zagen.
- ◆ Posities 1 en 2 zijn voor rond zagen.
- ◆ De agressiviteit van de zaagsnede neemt toe naarmate de hendel wordt verzet van één naar twee, waarbij twee de meest agressieve zaagsnede is.

Zagen

- ◆ Houd het gereedschap altijd met beide handen vast.
- ◆ Laat het zaagblad gedurende enkele seconden vrij bewegen voordat u met zagen begint.
- ◆ Oefen tijdens het zagen weinig druk op het gereedschap uit.
- ◆ Indien mogelijk werkt u met de zaagschoen (6) tegen het werkstuk gedrukt. Dit zorgt voor een betere controle over het gereedschap, minder trilling en beschermt het zaagblad tegen schade.

Tips voor een optimaal gebruik

Algemeen

- ◆ Gebruik een hoge snelheid voor hout, een medium snelheid voor aluminium en pvc en een lage snelheid voor andere metalen dan aluminium.

Laminaat zagen

Wanneer het zaagblad in de bovenste laag zaagt, kan het oppervlak dat zich het dichtst bij de zaagschoen bevindt, splinteren.

- ◆ Werk met een zaagblad met een fijnere vertanding.
- ◆ Zaag vanaf de achterkant van het werkstuk.
- ◆ Om het splinteren beperkt te houden, klemt u een stukje hout of houtvezelplaat aan weerskanten van het werkstuk vast en zaagt u door 'deze sandwich'.

Metaal zagen

Opgelet: het zagen van metaal duurt veel langer dan het zagen van hout.

- ◆ Gebruik een zaagblad dat voor het zagen van metaal gepast is. Werk met een zaagblad met een fijnere vertanding voor ijzerhoudende metalen en met een zaagblad met een grovere vertanding voor niet-ijzerhoudende metalen.
- ◆ Wanneer u een dunne staalplaat zaagt, klemt u een stukje hout aan de achterkant van het werkstuk en zaagt u door 'deze sandwich'.
- ◆ Smeer een laagje olie langs de voorgenomen zaaglijn.

Accessoires

De prestaties van uw gereedschap zijn afhankelijk van het gebruikte accessoire. BLACK+DECKER-accessoires zijn vervaardigd volgens hoogwaardige normen en ontworpen om de prestaties van uw gereedschap te verbeteren. Door deze accessoires te gebruiken, zult u het maximale uit uw gereedschap halen.

Dit gereedschap is geschikt voor gebruik met zaagbladen met zowel een U-schacht als T-schacht.

Onderhoud

Uw gereedschap is ontworpen voor gebruik gedurende een lange tijd met een minimum aan onderhoud. Het continu naar tevredenheid functioneren hangt af van de juiste zorg voor het gereedschap en regelmatig schoonmaken.

Waarschuwing! Voordat u onderhoud uitvoert, schakelt u het gereedschap uit en ontkoppelt u het.

- ◆ Maak de ventilatiesleuven in uw gereedschap en de lader regelmatig schoon met een zachte borstel of droge doek.
- ◆ Maak het motorhuis regelmatig schoon met een vochtige doek. Gebruik geen agressief schoonmaakmiddel of oplosmiddel.
- ◆ Breng regelmatig een druppel olie op de as van de steunrol voor zaagblad (5) aan.

De netstekker vervangen (Alleen VK & Ierland)

Als er een nieuwe netstekker moet worden gemonteerd:

- ◆ Voer de oude stekker veilig af bij het afval.
- ◆ Verbind de bruine draad aan de faseaansluiting van de nieuwe stekker.

- ◆ Verbind de blauwe draad aan de nulaansluiting van de stekker.

Waarschuwing! Er moet geen verbinding tot stand worden gebracht met de aardeaansluiting. Volg de montage-instructies die bij stekkers van goede kwaliteit worden geleverd. Aanbevolen zekering: 5 A.

Milieu



Gescheiden afvalinzameling. Producten en accu's waarop dit symbool is aangebracht, mogen niet bij het normale huishoudafval worden weggegooid.

Producten en accu's bevatten materialen die kunnen worden teruggewonnen of gerecycled en dat doet de vraag naar grondstoffen afnemen.

Recycle elektrische producten en accu's volgens de ter plaatse geldende bepalingen. Nadere informatie is beschikbaar op www.2helpU.com

Technische gegevens

BDCJS18 H1		
Voltage	V _{ac}	18
Snelheid onbelast	min ⁻¹	0-2500
Slaglengte	mm	19
Maximale zaagdiepte		
Hout	mm	55
Staal	mm	8
Aluminium	mm	20
Gewicht	Kg	1.87

Lader		905902**/ N4940**	905998**/ 906349**
Ingangsspanning	V _{AC}	100-240	220-240
Uitgangsspanning	V _{DC}	8-20	8-20
Stroom	mA	400	1000
Oplaadtijd bij benadering	Uur	3-11	1.5-5

Accu		BL2018*	BL2518*	BL1518*	BL4018
Spanning	V _{DC}	18	18	18	18
Capaciteit	Ah	2.0	2.5	1.5	4.0
Type		Li-Ion	Li-Ion	Li-Ion	Li-Ion

Geluidsdruk niveau, volgens EN60745:	
L _{PA} (geluidsdruk)	84,5 dB(A), Onzekerheid (K) 3 dB(A)
L _{WA} (geluidsvermogen)	95,5 dB(A), Onzekerheid (K) 3 dB(A)

Totale trillingswaarden (triaxiale vectorsom) volgens EN 60745:	
Planken zagen (a _{h, B})	6 m/s ² , onzekerheid (K) 1,5 m/s ²
Staalplaat zagen (a _{h, M})	4,3 m/s ² , onzekerheid (K) 1,5 m/s ²

EG-verklaring van overeenstemming

RICHTLIJN VOOR MACHINES



Snoerloze decoupeerzaag - BDCJS18

Black & Decker verklaart dat deze producten zoals beschreven onder 'Technische gegevens' in overeenstemming zijn met:
EN60745-1:2009+A11:2010, EN60745-2-11:2010

Deze producten zijn tevens in overeenstemming met Richtlijn 2006/42/EG, 2014/30/EU en 2011/65/EU.

Neem voor meer informatie contact op met Black & Decker via het volgende adres of kijk op de achterzijde van de handleiding.

De ondergetekende is verantwoordelijk voor de samenstelling van het technische bestand en legt deze verklaring af namens Black & Decker.

R. Laverick
Technisch directeur
Black & Decker Europe, 210 Bath Road, Slough,
Berkshire, SL1 3YD
Verenigd Koninkrijk
19/10/2018

Garantie

Black & Decker heeft vertrouwen in zijn producten en biedt consumenten een garantie van 24 maanden vanaf de datum van aankoop. Deze garantie vormt een aanvulling op uw wettelijke rechten en beperken deze niet. De garantie is geldig op het grondgebied van de Lidstaten van de Europese Unie en de Europese Vrijhandelszone.

Voor een garantie-aanspraak moet uw aanspraak in overeenstemming zijn met de Voorwaarden en Condities van Black & Decker en moet u een bewijs van aankoop overleggen aan de verkoper of aan een geautoriseerde reparatiemonteur. Voorwaarden en condities van de 2-jarige garantie van Black & Decker en het adres van de vestiging van het geautoriseerde reparatiecentrum bij u in de buurt, kunt u vinden op internet op www.2helpU.com, of door contact op te nemen met het Black & Decker-kantoor ter plaatse, op het adres dat in deze handleiding wordt vermeld.

Bezoek onze website www.blackanddecker.nl, waar u uw nieuwe Black & Decker-product kunt registreren en informatie kunt verkrijgen over nieuwe producten en speciale aanbiedingen.

Uso previsto

Su sierra caladora BLACK+DECKER™ BDCJS18 ha sido diseñada para cortar madera, plástico y metal laminado. Esta herramienta está pensada únicamente para uso doméstico.

Instrucciones de seguridad

Advertencias generales de seguridad para herramientas eléctricas



Advertencia! Lea todas las advertencias de seguridad y todas las instrucciones.

El incumplimiento de las advertencias e instrucciones que figuran a continuación podría provocar una descarga eléctrica, un incendio o lesiones graves.

Guarde todas las advertencias e instrucciones para futuras consultas. El término "herramienta eléctrica" que aparece en las advertencias siguientes se refiere a la herramienta eléctrica alimentada a través de la red eléctrica (con cable) o a la que funciona con batería (sin cable).

1. Seguridad en la zona de trabajo

- Mantenga su área de trabajo limpia y bien iluminada.** Las áreas en desorden u oscuras pueden provocar accidentes.
- No utilice herramientas eléctricas en atmósferas explosivas, como ambientes donde haya polvo, gases o líquidos inflamables.** Las herramientas eléctricas originan chispas que pueden inflamar el polvo o los gases.
- Mantenga alejados a los niños y a las personas que estén cerca mientras utiliza una herramienta eléctrica.** Las distracciones pueden provocar la pérdida de control.

2. Seguridad eléctrica

- Los enchufes de las herramientas eléctricas deben corresponderse con la toma de corriente. No modifique nunca el enchufe de ninguna forma. No utilice ningún enchufe adaptador ni herramientas eléctricas conectadas a tierra.** Los enchufes no modificados y las tomas de corriente correspondientes reducirán el riesgo de descarga eléctrica.
- Evite el contacto corporal con superficies conectadas a tierra, tales como tuberías, radiadores, cocinas y neveras.** Existe un mayor riesgo de descarga eléctrica si su propio cuerpo está conectado a tierra.
- No exponga las herramientas eléctricas a la lluvia ni a condiciones húmedas.** Si entra agua a una herramienta eléctrica aumentará el riesgo de descarga eléctrica.
- No someta el cable de alimentación a abusos. No use nunca el cable para transportar, tirar de la herramienta**

eléctrica o desenchufarla. Mantenga el cable alejado del calor, aceite, bordes afilados y piezas en movimiento. Los cables dañados o enredados aumentan el riesgo de descarga eléctrica.

- Cuando esté utilizando una herramienta eléctrica al aire libre, use un cable alargador adecuado para uso en exteriores.** La utilización de un cable adecuado para el uso en exteriores reduce el riesgo de descarga eléctrica.
- Si no puede evitar utilizar una herramienta eléctrica en un lugar húmedo, use un suministro protegido con un dispositivo de corriente residual (RCD, por sus siglas en inglés).** El uso de un dispositivo de corriente residual reduce el riesgo de descarga eléctrica.

3. Seguridad personal

- Manténgase alerta, esté atento a lo que hace y use el sentido común cuando utilice una herramienta eléctrica. No maneje una herramienta eléctrica cuando esté cansado o bajo los efectos de drogas, medicamentos o alcohol.** Un momento de falta de atención cuando se manejan las herramientas eléctricas puede ocasionar lesiones personales graves.
- Utilice equipo de seguridad personal. Lleve siempre protección ocular.** El uso de equipo de protección, como mascarillas para polvo, calzado de seguridad antideslizante, cascos o protección auditiva en las condiciones adecuadas reducirá las lesiones personales.
- Evite la puesta en funcionamiento involuntaria. Asegúrese de que el interruptor esté en posición de apagado antes de conectar a la fuente de alimentación o a la batería, o de levantar o transportar la herramienta.** El transportar herramientas eléctricas con el dedo puesto en el interruptor o herramientas eléctricas activadoras que tengan el interruptor encendido puede provocar accidentes.
- d) Saque toda llave de ajuste o llave inglesa antes de encender la herramienta eléctrica.** Una llave inglesa u otra llave que se deje puesta en una pieza en movimiento de la herramienta eléctrica pueden ocasionar lesiones personales.
- No se estire demasiado. Mantenga un equilibrio adecuado y la estabilidad constantemente.** Esto permite un mejor control de la herramienta eléctrica en situaciones inesperadas.
- Use la vestimenta adecuada. No se ponga ropa suelta o joyas. Mantenga el cabello, la ropa y los guantes alejados de las piezas en movimiento.** Las ropas holgadas, las joyas o el cabello largo pueden quedar atrapados en las piezas en movimiento.
- Si se suministran dispositivos para la conexión del equipo de extracción y recogida de polvo, asegúrese de que estén conectados y de que se usen**

adecuadamente. El uso de equipo de recogida de polvo puede reducir los riesgos relacionados con el polvo.

4. Uso y cuidado de la herramienta eléctrica

- No fuerce la herramienta eléctrica. Use la herramienta eléctrica correcta para su trabajo.** La herramienta eléctrica correcta funcionará mejor y con mayor seguridad si se utiliza de acuerdo con sus características técnicas.
 - No utilice la herramienta eléctrica si no puede encenderse y apagarse con el interruptor.** Toda herramienta eléctrica que no pueda controlarse con el interruptor es peligrosa y debe ser reparada.
 - Desconecte el enchufe de la fuente de alimentación o la batería de la herramienta eléctrica antes de realizar ajustes, cambiar accesorios o guardar las herramientas eléctricas.** Dichas medidas de seguridad preventivas reducen el riesgo de poner en marcha accidentalmente la herramienta eléctrica.
 - Guarde las herramientas eléctricas que no esté utilizando fuera del alcance de los niños y no permita que utilicen la herramienta eléctrica las personas que no estén familiarizadas con ella o con estas instrucciones.** Las herramientas eléctricas son peligrosas en manos de personas no capacitadas.
 - Realice el mantenimiento de las herramientas eléctricas. Compruebe si hay desalineación o bloqueo de las piezas en movimiento, rotura de piezas y otras condiciones que puedan afectar el funcionamiento de la herramienta eléctrica. Si la herramienta eléctrica está dañada, llévela para que sea reparada antes de utilizarla.** Se ocasionan muchos accidentes por el mal mantenimiento de las herramientas eléctricas.
 - Mantenga las herramientas para cortar afiladas y limpias.** Hay menos probabilidad de que las herramientas para cortar los bordes afilados se bloqueen y son más fáciles de controlar.
 - Utilice la herramienta eléctrica, los accesorios, las brocas de la herramienta, etc., conforme a estas instrucciones, teniendo en cuenta las condiciones de trabajo y el trabajo que vaya a realizarse.** El uso de la herramienta eléctrica para operaciones que no sean las previstas puede ocasionar una situación peligrosa.
- #### 5. Uso y cuidado de la herramienta con pilas
- Recargue exclusivamente con el cargador indicado por el fabricante.** Un cargador adecuado para un tipo de paquete de pilas puede provocar riesgos de incendio al ser utilizado con otro paquete de pilas.
 - Utilice las herramientas eléctricas con los paquetes de baterías específicamente designados.** El uso de cualquier otro paquete de pilas puede crear riesgos de daños e incendios.

- Cuando el paquete de baterías no esté en uso, manténgalo alejado de otros objetos de metal, tales como ganchos sujetapapeles, monedas, llaves, clavos, tornillos u otros objetos pequeños de metal que puedan generar una conexión de un terminal a otro.** La unión de los terminales de las pilas puede provocar quemaduras o incendios.
 - En condiciones abusivas, podrá salir líquido de la batería, evite el contacto. Si se produce el contacto de forma accidental, limpie con agua. Si el líquido se pone en contacto con los ojos, acuda además a un médico.** El líquido expulsado de la batería podrá provocar irritaciones o quemaduras.
- #### 6. Servicio
- Lleve su herramienta eléctrica para que sea reparada por una persona cualificada que use solamente piezas de recambio idénticas.** Esto garantizará la seguridad de la herramienta eléctrica.

Advertencias adicionales de seguridad para la herramienta eléctrica



Advertencia! Advertencias adicionales de seguridad para sierras caladoras y sierras recíprocantes

- ◆ **Sostenga la herramienta eléctrica por las superficies de agarre aisladas cuando realice una operación en la que el accesorio de corte pueda estar en contacto con un cable oculto.** El contacto de los accesorios de corte con un cable cargado puede cargar las partes metálicas expuestas de la herramienta eléctrica y producir una descarga eléctrica al operador.
- ◆ **Utilice fijaciones u otro tipo de método para fijar y apoyar la pieza de trabajo en una plataforma estable.** Si sostiene la pieza de trabajo con las manos o con su cuerpo, esta estará inestable y podrá hacer que usted pierda el control.
- ◆ **Mantenga las manos lejos de la zona de corte y de la hoja.** Nunca ponga sus manos debajo de la pieza de trabajo por ningún motivo. No inserte los dedos cerca de la cuchilla recíprocante ni de la abrazadera de la hoja. No estabilice la sierra sujetando la zapata.
- ◆ **Mantenga las cuchillas afiladas.** Las cuchillas desafiladas o dañadas pueden ocasionar que la sierra cambie de dirección o se atasque bajo presión. Siempre use el tipo apropiado de hoja de sierra para el material de la pieza de trabajo y el tipo de corte.
- ◆ **Al cortar tuberías o conductos, asegúrese de que estén libres de agua, cables eléctricos, etc.**
- ◆ **No toque la pieza de trabajo ni la hoja inmediatamente después de usar la herramienta.** Pueden recalentarse.

- ◆ **Manténgase atento a los riesgos ocultos antes de cortar paredes, pisos o techos; verifique la ubicación de cables y tuberías.**
- ◆ **La cuchilla continuará moviéndose después de liberar el interruptor.** Siempre apague la herramienta y espere a que la hoja de la sierra se detenga por completo antes de apoyar la herramienta.

Advertencia! El contacto o la inhalación de polvo generado por las aplicaciones de corte pueden poner en peligro la salud del operador y de las posibles personas que estén en las cercanías. Lleve una máscara de protección especialmente diseñada para protegerse contra los polvos y humos tóxicos y compruebe que las personas que se ubiquen o accedan a la zona de trabajo también lleven protección.

- ◆ En este manual se indica el uso previsto.
- ◆ El uso de accesorios o acoplamientos o la realización de cualquier operación con esta herramienta que sean distintos de los recomendados en este manual de instrucciones pueden presentar el riesgo de lesiones o daños a los bienes.

Seguridad de los demás

- ◆ Esta herramienta no se destina al uso por parte de personas (incluidos los niños) con capacidades físicas, sensoriales o mentales reducidas, o que carezcan de la experiencia o del conocimiento necesarios, a menos que estén supervisadas o reciban las instrucciones relativas al uso del aparato de parte de una persona encargada de su seguridad.
- ◆ Los niños deberán permanecer vigilados para garantizar que no jueguen con el aparato.

Riesgos residuales

Pueden producirse riesgos residuales adicionales al utilizar la herramienta que no se incluyen en las advertencias incluidas de seguridad. Estos riesgos pueden derivarse del uso incorrecto, el uso prolongado, etc.

A pesar de la aplicación de las regulaciones de seguridad pertinentes y del uso de dispositivos de seguridad, existen determinados riesgos residuales que no pueden evitarse. Esto incluye:

- ◆ Lesiones provocadas por el contacto con las piezas giratorias/móviles.
- ◆ Lesiones ocasionadas al cambiar piezas, hojas o accesorios.
- ◆ Lesiones ocasionadas por el uso prolongado de una herramienta. Al usar una herramienta por períodos prolongados, asegúrese de tomar descansos regulares.
- ◆ Deterioro auditivo.
- ◆ Los riesgos para la salud ocasionados al respirar el polvo generado al usar la herramienta (ejemplo: trabajo con madera, especialmente roble, haya y fibras de densidad media [MDF, por sus siglas en inglés]).

Vibración

Los valores de vibración declarados que se indican en los datos técnicos y la declaración de conformidad han sido medidos conforme a un método de prueba estándar, provisto por la directiva EN 60745 y pueden usarse para comparar una herramienta con otra. El valor de emisión de vibración declarado también puede usarse en una evaluación preliminar de exposición.

Advertencia! El valor de emisión de vibración durante el uso real de la herramienta eléctrica puede diferir del valor declarado, según las formas en que se use la herramienta. El nivel de vibración puede aumentar por encima del nivel declarado.

Al analizar la exposición a la vibración para establecer las medidas de seguridad requeridas por la directiva 2002/44/EC para proteger a las personas que usan regularmente herramientas eléctricas en sus empleos, el análisis de la exposición a la vibración debe tener en cuenta las condiciones de uso reales y la forma en que se usa la herramienta. Esto debe incluir el tener en cuenta todas las partes del ciclo de operación, tales como los momentos en que se apaga la herramienta y cuando se encuentra operando a ralentí, además del tiempo de arranque.

Etiquetas en la herramienta

En la herramienta, se muestran los siguientes símbolos, junto con el código de fecha:



Advertencia! Para reducir el riesgo de lesiones, el usuario debe leer el manual de instrucciones.

Instrucciones adicionales de seguridad para baterías y cargadores

Pilas

- ◆ Jamás trate de abrirla por ninguna razón.
- ◆ No exponga la batería al agua.
- ◆ No almacene en ubicaciones donde la temperatura pueda exceder los 40 °C.
- ◆ Cargue solo a temperaturas ambiente entre 10 °C y 40 °C.
- ◆ Cargue solo usando el cargador provisto con la herramienta.
- ◆ Al desechar las baterías, siga las instrucciones de la sección "Protección del medioambiente".



No intente cargar baterías dañadas.

Cargadores

- ◆ Use su cargador BLACK+DECKER solamente para cargar la batería en la herramienta en que se suministró. Otras baterías podrían explotar, causando lesiones y daños.
- ◆ Nunca intente cargar baterías no recargables.
- ◆ Reemplace de inmediato los cables defectuosos.
- ◆ No exponga el cargador al agua.
- ◆ No abra el cargador.
- ◆ No sondee el cargador.



El cargador está destinado solo para uso en interiores.



Lea el manual de instrucciones antes de usar.

Seguridad eléctrica



Su cargador cuenta con doble aislamiento; en consecuencia, no se requiere cable a tierra. Compruebe siempre que el voltaje de la red eléctrica corresponda al indicado en la placa de características. Nunca intente reemplazar la unidad del cargador por un enchufe regular de la red eléctrica.

- ◆ Si el cable de alimentación está dañado, debe ser reemplazado por el fabricante o un Centro de reparaciones autorizado de BLACK+DECKER a fin de evitar un peligro.

Características

Los siguientes símbolos, junto con el código de fecha, se muestran en la herramienta:

1. Interruptor de velocidad variable
2. Botón de desbloqueo
3. Palanca de bloqueo de la hoja de la sierra
4. Abrazadera de la hoja
5. Rodillo de soporte de la hoja
6. Placa de la zapata
7. Botón de accionamiento de corte

fig. A (solo BDCJS18)

Esta herramienta incluye algunas o todas las características siguientes.

8. Batería
9. Cargador de batería

Ensamblaje

Advertencia! Antes del ensamblaje, quite la batería de la herramienta y asegúrese de que la hoja de la sierra se haya detenido. Las hojas usadas de la sierra pueden estar calientes.

Colocación y extracción de la hoja de la sierra (fig. B)

- ◆ Sostenga la hoja de la sierra (11) con los dientes hacia adelante.
- ◆ Levante la palanca de bloqueo de la hoja de la sierra (3) hacia arriba.
- ◆ Inserte la vaina de la hoja completamente en la abrazadera de la hoja (4) hasta que haga tope.
- ◆ Suelte la palanca.
- ◆ Para quitar la hoja de la sierra (11), levante la palanca de bloqueo de la hoja de la sierra (3) hacia arriba y tire de la hoja hacia afuera.

Colocación y extracción de la batería (fig. C)

- ◆ Para colocar la batería (8), debe alinearla con el receptáculo en la herramienta. Deslice la batería en el receptáculo y presione hasta que la batería se trabe en su lugar.
- ◆ Para quitar la batería, presione el botón de liberación (12) al tiempo que tira de la batería hacia afuera del receptáculo.

Uso

Advertencia! Deje funcionar la herramienta a su propio ritmo. No la sobrecargue.

Advertencia! Nunca use la herramienta cuando la zapata de la sierra está floja o se ha quitado.

Carga de la batería (fig. A)

La batería debe cargarse antes del primer uso y cuando deje de producir potencia suficiente en trabajos que anteriormente se realizaban con facilidad. La batería puede calentarse al cargar; esto es normal y no indica un problema.

Advertencia! No cargue la batería a temperaturas ambiente inferiores a 10 °C o superiores a 40 °C. Temperatura recomendada de carga: aprox. 24 °C.

Nota: El cargador no cargará una batería si la temperatura de la celda es inferior a aproximadamente 10 °C o superior a 40 °C. La batería debe dejarse en el cargador y el cargador comenzará a cargar automáticamente cuando la temperatura de la celda se caliente o se enfríe.

- ◆ Para cargar la batería (8), insértela en el cargador (9). La batería solo se podrá colocar en el cargador de una forma. No la fuerce. Asegúrese de que la batería esté completamente asentada en el cargador.
- ◆ Enchufe el cargador y encienda en la red eléctrica. El indicador de carga destellará. La carga se ha completado cuando el indicador de carga se mantiene encendido de forma permanente.
- ◆ El cargador y la batería pueden dejarse conectados indefinidamente.

- ◆ Cargue las baterías descargadas dentro de la semana posterior a que se hayan descargado. La duración de la batería se reducirá enormemente si se almacena en estado descargado.

Dejar la batería en el cargador

El cargador y el paquete de baterías pueden dejarse conectados con el LED encendido indefinidamente. El cargador mantendrá el paquete de baterías en buen estado y completamente cargado.

Diagnóstico del cargador

Si el cargador detecta una batería débil o dañada, el indicador de carga destellará en rojo a una frecuencia rápida. Proceda de la siguiente forma:

- ◆ Vuelva a colocar la batería (8).
- ◆ Si el indicador de carga continúa destellando en rojo a una frecuencia rápida, use una batería diferente para determinar si el proceso de carga funciona correctamente.
- ◆ Si la batería reemplazada se carga correctamente, la batería original está defectuosa y debe devolverse al centro de reparaciones para su reciclado.
- ◆ Si la nueva batería presenta la misma indicación que la batería original, lleve el cargador para ser probado en un centro de reparaciones autorizado.

Nota: Puede tomar hasta 30 minutos determinar que la batería está defectuosa. Si la batería está demasiado caliente o demasiado fría, el LED destellará alternadamente en rojo rápido y lento, un destello a cada velocidad, y repetirá el patrón.

Encendido y apagado (fig. D y E)

- ◆ Para encender, deslice el interruptor de bloqueo (2) a la izquierda, luego tire y sostenga el interruptor de gatillo de velocidad variable (1).
- ◆ Para apagar, libere el interruptor de gatillo (1).

Advertencia! No encienda ni apague la herramienta cuando tenga carga.

Advertencia! Siempre deslice el interruptor de bloqueo (2) a la derecha, a la posición de bloqueo, cuando la herramienta no está en uso.

Control de velocidad variable

El interruptor de encendido/apagado de velocidad variable ofrece una elección de velocidades para un índice de corte enormemente mejorado en varios materiales.

- ◆ La velocidad es determinada por cuánto se presiona el interruptor de gatillo (1).

Corte de bisel (fig. F, G y H)

La placa de zapata puede ajustarse a un ángulo de bisel a la izquierda o la derecha de 22,5° o 45°.

Para ajustar el ángulo de bisel:

- ◆ Afloje el perno de retención de la zapata (13) con la llave hexagonal provista (14) para desbloquear la placa de zapata (6).
- ◆ Deslice la placa de zapata (6) hacia adelante para liberarla del tope de 0°.
- ◆ Gire la placa de zapata al ángulo de bisel deseado (fig. G).
- ◆ Deslice la placa de zapata hacia atrás para acoplar el tope a la izquierda o la derecha.
- ◆ Ajuste el perno de retención de la zapata (13) con la llave hexagonal provista (14) para bloquear la placa de zapata (6) en la posición requerida.

Nota: La zapata puede biselarse a la izquierda o la derecha y tiene topes a 22,5° y 45°.

Acción de corte (fig. I)

Esta sierra caladora está equipada con tres acciones de corte, dos orbitales y una recta. La acción orbital tiene un movimiento de cuchilla más agresivo y se destina al corte de materiales blandos como la madera o el plástico. La acción orbital ofrece un corte más rápido, pero con un corte menos fácil por el material. En la acción orbital, la cuchilla se mueve hacia delante por el recorrido del corte además del movimiento hacia arriba y abajo.

Advertencia! Los metales o maderas duras no deben cortarse nunca con la acción orbital.

- ◆ Deslice el botón de la acción de corte (7) entre las tres posiciones de corte: 0, 1 y 2.
- ◆ La posición 0 es para corte recto.
- ◆ Las posiciones 1 y 2 son para corte orbital.
- ◆ La agresividad del corte aumenta a medida que la palanca se ajusta de uno a dos, donde dos es el corte más agresivo.

Aserrado

- ◆ Sostenga siempre la herramienta con las dos manos.
- ◆ Deje que la hoja funcione libremente por unos segundos antes de comenzar el corte.
- ◆ Aplique solo una presión suave a la herramienta mientras realiza el corte.
- ◆ De ser posible, trabaje con la placa de zapata (6) presionada contra la pieza de trabajo. Esto mejorará el control de la herramienta y reducirá su vibración, además de impedir que se dañe la hoja.

Sugerencias para un uso óptimo

Información general

- ◆ Utilice la alta velocidad para madera, la velocidad intermedia para aluminio y PVC, y la velocidad baja para metales distintos del aluminio.

Aserrado de laminados

Como la hoja de la sierra corta en un desplazamiento ascendente, pueden generarse astillas en la superficie más cercana a la placa de zapata.

- ◆ Use una hoja de sierra de dientes finos.
- ◆ Corte desde la superficie posterior de la pieza de trabajo.
- ◆ Para minimizar las astillas, sujete una pieza de madera o aglomerado de desecho a ambos lados de la pieza de trabajo y corte a través de este sándwich.

Aserrado de metal

Recuerde que el aserrado de metal requiere mucho más tiempo que el aserrado de madera.

- ◆ Use una hoja de sierra adecuada para cortar metal. Use una hoja de sierra de diente fino para metales ferrosos y una hoja de sierra más gruesa para metales no ferrosos.
- ◆ Al cortar metal laminado, sujete una pieza de madera de desecho a la superficie posterior de la pieza de trabajo y corte a través de este sándwich.
- ◆ Aplique una película de aceite a lo largo de la línea deseada de corte.

Accesorios

El rendimiento de su herramienta depende del accesorio utilizado. Los accesorios BLACK+DECKER están diseñados según elevados estándares de calidad para mejorar el rendimiento de su herramienta. Al usar estos accesorios, obtendrá el mejor resultado de su herramienta. Esta herramienta es adecuada para hojas de sierra con vástago en U y vástago en T.


Mantenimiento

Su herramienta ha sido diseñada para funcionar por un período de tiempo prolongado con un mantenimiento mínimo. El funcionamiento satisfactorio continuo depende del buen cuidado de la herramienta y de una limpieza frecuente.

Advertencia! Antes de realizar tareas de mantenimiento, apague y desenchufe la herramienta.

- ◆ Limpie periódicamente las ranuras de ventilación en su herramienta y cargador usando un cepillo suave o un paño seco.
- ◆ Limpie periódicamente el alojamiento del motor con un paño húmedo. No use limpiadores abrasivos ni a base de solvente.
- ◆ Ocasionalmente, aplique una gota de aceite al eje del rodillo de soporte de la hoja (5).

Protección del medio ambiente

 Recogida selectiva. Los productos y las baterías marcadas con este símbolo no se deben desechar junto con los residuos domésticos normales.

Los productos y las baterías que contienen materiales que se puedan recuperar o reciclar reducen la demanda de materias primas.

Recicle los productos eléctricos y las baterías de conformidad con la normativa local. Puede obtener más información en www.2helpU.com.

Datos técnicos

BDCJS18 H1		
Tensión	V _{cc}	18
Velocidad en vacío	min ⁻¹	0-2500
Longitud de carrera	mm	19
Profundidad máxima del corte:		
Madera	mm	55
Acero	mm	8
Aluminio	mm	20
Peso	Kg	1.87

Cargador		905902**/ N4940**	905998**/ 906349**
Voltaje de entrada	V _{AC}	100-240	220-240
Voltaje de salida	V _{DC}	8-20	8-20
Corriente	mA	400	1000
Tiempo aproximado de carga	Horas	3-11	1.5-5

Batería		BL2018*	BL2518*	BL1518*	BL4018
Tensión	V _{DC}	18	18	18	18
Capacidad	Ah	2.0	2.5	1.5	4.0
Tipo		Litio-ión	Litio-ión	Litio-ión	Litio-ión

Level of sound pressure according to EN60745:	
L _{pa} (presión acústica)	84,5 dB(A), Incertidumbre (K) 3 dB(A)
L _{wa} (potencia acústica)	95,5 dB(A), Incertidumbre (K) 3 dB(A)

Valores totales de vibración (suma de vectores triaxiales) de acuerdo con EN 60745:	
Corte de madera (a _{nB})	6 m/s ² , incertidumbre (K) 1,5 m/s ²
Corte de metal laminado (a _{nM})	4,3 m/s ² , incertidumbre (K) 1,5 m/s ²

Declaración de conformidad con las normas europeas.

CE DIRECTRIZ DE LA MAQUINARIA



Sierra caladora inalámbrica - BDCJS18

Black & Decker declara que los productos descritos bajo "datos técnicos" cumplen con las siguientes normas: EN 60745-1:2009 + A11:2010, EN 60745-2-11: 2010

Estos productos también cumplen con la Directiva 2006/42/EC, 2014/30/EU y 2011/65/EU.

Si desea más información, póngase en contacto con Black & Decker en la dirección indicada a continuación o consulte la parte posterior de este manual.

El que suscribe es responsable de la compilación del archivo técnico y realiza esta declaración en representación de Black & Decker.



R. Laverick
Gerente de Ingeniería
Black & Decker Europe, 210 Bath Road, Slough,
Berkshire, SL1 3YD
Reino Unido
19/10/2018

Garantía

Black & Decker confía en la calidad de sus productos y ofrece a los consumidores una garantía de 24 meses a partir de la fecha de compra. Esta garantía es adicional a sus derechos legales y no los menoscaba en modo alguno. La garantía es válida dentro de los territorios de los Estados Miembros de la Unión Europea y del Área de Libre Comercio Europea.

Para reclamar la garantía, la reclamación se debe presentar de conformidad con las condiciones de Black & Decker. Tendrá que adjuntar un justificante de compra al vendedor o al agente técnico autorizado. Las condiciones de la garantía de 2 años de Black & Decker y la ubicación de su agente técnico autorizado más cercano se pueden obtener en Internet en www.2helpU.com o poniéndose en contacto con su oficina local de Black & Decker en la dirección que se indica en este manual.

Visite nuestro sitio web www.blackanddecker.co.uk para registrar su nuevo producto Black & Decker y recibir noticias sobre nuevos productos y ofertas especiales.blackanddecker.co.uk

utilização pretendida

A sua serra de vaivém BDCJS18 da BLACK+DECKER™ foi concebida para serrar madeira, plásticos e chapa metálica. Esta ferramenta destina-se apenas a utilização doméstica.

Instruções de segurança

Avisos de segurança gerais relativos a ferramentas eléctricas



Atenção! Leia todos os avisos de segurança e todas as instruções. O não seguimento dos avisos e das instruções enumeradas abaixo poderá resultar em choque eléctrico, incêndio e/ou ferimentos graves.

Guarde todos os avisos e instruções para futura referência.

O termo "ferramenta eléctrica" em todos os avisos listados abaixo refere-se à sua ferramenta eléctrica alimentada pela rede eléctrica (com fios) ou à ferramenta eléctrica alimentada por bateria (sem fios).

1. Segurança na área de trabalho

- Mantenha a área de trabalho limpa e bem iluminada.** As áreas desorganizadas ou escuras são propensas a acidentes.
- Não utilize as ferramentas eléctricas em ambientes explosivos, como, por exemplo, na presença de líquidos, gases ou poeiras inflamáveis.** As ferramentas eléctricas criam faíscas que poderão inflamar estas poeiras ou vapores.
- Mantenha as crianças e outras pessoas à distância quando utilizar a ferramenta eléctrica.** As distrações podem levar à perda do controlo da ferramenta.

2. Segurança eléctrica

- As fichas das ferramentas eléctricas têm de ser compatíveis com a tomada de electricidade. Nunca modifique a ficha de forma alguma. Não utilize fichas adaptadoras com ferramentas eléctricas ligadas à terra.** As fichas não modificadas e as tomadas compatíveis reduzem o risco de choque eléctrico.
- Evite o contacto corporal com superfícies ligadas à terra, como tubos, radiadores, fogões e frigoríficos.** Se o seu corpo estiver "ligado" à terra, o risco de choque eléctrico é maior.
- Não exponha as ferramentas eléctricas à chuva ou a condições de humidade.** A entrada de água numa ferramenta eléctrica aumenta o risco de choque eléctrico.
- Não aplique força excessiva sobre o cabo. Nunca o utilize para transportar, puxar ou desligar a ferramenta eléctrica. Mantenha o cabo afastado de fontes de calor, substâncias oleosas, extremidades aguçadas**

ou peças móveis. Os cabos danificados ou emaranhados aumentam o risco de choque eléctrico.

- Ao utilizar uma ferramenta eléctrica no exterior, use uma extensão adequada para utilização ao ar livre.** A utilização de um cabo adequado para uso ao ar livre reduz o risco de choque eléctrico.
 - Se não for possível evitar trabalhar com uma ferramenta eléctrica num local húmido, utilize uma fonte de alimentação protegida por um dispositivo de corrente residual (DCR).** A utilização de um DCR reduz o risco de choque eléctrico.
- Segurança pessoal**
 - Mantenha-se atento, preste atenção ao que está a fazer e faça uso de bom senso ao operar uma ferramenta eléctrica. Não utilize uma ferramenta eléctrica quando estiver cansado ou sob o efeito de drogas, álcool ou medicamentos.** Um momento de distração durante a utilização de ferramentas eléctricas poderá resultar em ferimentos graves.
 - Use equipamento de protecção pessoal. Use sempre uma protecção ocular.** O equipamento de protecção, como, por exemplo, uma máscara contra o pó, sapatos de segurança antiderrapantes, um capacete de segurança ou uma protecção auditiva, usado nas condições apropriadas, reduz o risco de ferimentos.
 - Evite accionamentos acidentais. Certifique-se de que o interruptor da ferramenta está na posição de desligado antes de a ligar à tomada de electricidade e/ou inserir a bateria, ou antes de pegar ou transportar a ferramenta.** Se mantiver o dedo sobre o interruptor ao transportar ferramentas eléctricas ou se as ligar à fonte de alimentação com o interruptor ligado, poderá originar acidentes.
 - d) Retire qualquer chave de ajuste ou chave de porcas antes de ligar a ferramenta eléctrica.** Uma chave de porcas ou chave de ajuste deixada numa peça móvel da ferramenta poderá resultar em ferimentos.
 - Não se estique demasiado ao trabalhar com a ferramenta. Mantenha sempre os pés bem apoiados e um equilíbrio apropriado.** Desta forma, será mais fácil controlar a ferramenta eléctrica em situações inesperadas.
 - Use vestuário adequado. Não use roupa larga nem jóias. Mantenha o cabelo, a roupa e as luvas afastados das peças móveis.** As roupas largas, as jóias ou o cabelo comprido podem ficar presos nestas peças.
 - Se forem fornecidos acessórios para a ligação de equipamentos de extracção e recolha de partículas, certifique-se de que estes são ligados e utilizados correctamente.** A utilização de dispositivos de extracção de partículas pode reduzir os riscos relacionados com as mesmas.

- Utilização e cuidados a ter com a ferramenta eléctrica**
 - Não utilize a ferramenta eléctrica de forma forçada. Utilize a ferramenta eléctrica correcta para o seu trabalho.** A ferramenta eléctrica adequada irá efectuar o trabalho de um modo mais eficiente e seguro se for utilizada de acordo com a capacidade para a qual foi concebida.
 - Não utilize a ferramenta eléctrica se o respectivo interruptor não a ligar e desligar.** Qualquer ferramenta eléctrica que não possa ser controlada através do interruptor de alimentação é perigosa e tem de ser reparada.
 - Retire a ficha da tomada de electricidade e/ou a bateria da ferramenta eléctrica antes de efectuar quaisquer ajustes, substituir acessórios ou guardar a ferramenta.** Estas medidas de segurança preventivas reduzem o risco de ligar a ferramenta eléctrica acidentalmente.
 - Guarde as ferramentas eléctricas que não estiverem a ser utilizadas fora do alcance de crianças e não permita que o equipamento seja utilizado por pessoas não familiarizadas com o mesmo ou com estas instruções.** As ferramentas eléctricas são perigosas nas mãos de pessoas que não possuam as qualificações necessárias para as manusear.
 - Faça a devida manutenção das ferramentas eléctricas. Verifique se as peças móveis da ferramenta eléctrica estão alinhadas e não emperram, bem como se existem peças partidas ou danificadas ou quaisquer outras condições que possam afectar o funcionamento da mesma. Se a ferramenta eléctrica estiver danificada, esta não deve ser utilizada até que seja reparada.** Muitos acidentes têm como principal causa ferramentas eléctricas com uma manutenção insuficiente.
 - Mantenha as ferramentas de corte sempre afiadas e limpas.** As ferramentas de corte sujeitas a uma manutenção adequada, com arestas de corte afiadas, emperram com menos frequência e controlam-se com maior facilidade.
 - Utilize a ferramenta eléctrica, os acessórios e as peças, etc., de acordo com estas instruções, tendo em conta as condições de trabalho e a tarefa a ser efectuada.** A utilização da ferramenta eléctrica para fins diferentes dos previstos poderá resultar em situações perigosas.
- Utilização e cuidados a ter com a ferramenta com pilhas**
 - Recarregue apenas com o carregador especificado pelo fabricante.** Um carregador adequado para um tipo de bateria pode causar um incêndio se for utilizado com outra bateria.

- b. **Utilize apenas ferramentas eléctricas que tenha baterias especificamente concebidas.** A utilização de outro tipo de pilhas pode causar lesões e incêndio.
- c. **Quando não utilizar a bateria, mantenha-a afastada de outros objectos metálicos, tais como cliques para papel, moedas, chaves, pregos, parafusos ou outros pequenos objectos metálicos que permitam fazer a ligação de um terminal para outro.** O curto-circuito dos terminais da bateria pode causar queimaduras ou um incêndio.
- d. **Em condições abusivas, pode derramar líquido da pilha, devendo evitar o contacto. Se tocar acidentalmente no líquido, lave bem com água. Se o líquido entrar em contacto com os olhos, consulte um médico.** O líquido derramado da pilha pode causar irritação ou queimaduras.
6. **Assistência**
- a. **A sua ferramenta eléctrica só deve ser reparada por um técnico qualificado e só devem ser utilizadas peças sobresselentes originais.** Desta forma, é garantida a segurança da ferramenta eléctrica.

Avisos de segurança adicionais relativos a ferramentas eléctricas



Atenção! Avisos de segurança adicionais relativos a serras de vaivém e serras alternativas

- ◆ **Segure a ferramenta eléctrica apenas pelas superfícies isoladas específicas para o efeito ao efectuar uma operação em que o acessório de corte possa entrar em contacto com fios ocultos.** O acessório de corte que entre em contacto com um fio com tensão eléctrica poderá fazer com que as peças de metal expostas da ferramenta conduzam electricidade e electrocutem o utilizador.
- ◆ **Utilize grampos ou outro sistema prático para fixar e apoiar a peça numa plataforma estável.** Segurar a peça com a mão ou contra o corpo pode causar instabilidade e perda de controlo.
- ◆ **Mantenha as mãos afastadas da área de corte.** Nunca toque por baixo da peça de trabalho por qualquer motivo. Não coloque os dedos ou o polegar nas proximidades da lâmina alternativa e da fixação da lâmina. Não estabilize a serra ao agarrar na base.
- ◆ **Mantenha as lâminas afiadas.** Se as lâminas estiverem embotadas ou danificadas, a serra pode mudar de direcção ou bloquear sob pressão. Utilize sempre o tipo de lâmina da serra adequado para o material da peça de trabalho e tipo de corte.
- ◆ **Quando cortar tubos ou condutas, certifique-se de que não possuem água, cabos eléctricos, etc.**

- ◆ **Não toque na peça de trabalho ou na lâmina imediatamente depois de utilizar a ferramenta.** Podem ficar muito quentes.
- ◆ **Tenha em atenção os perigos ocultos antes de cortar nas paredes, solos ou tectos, verifique a localização da cablagem e dos tubos.**
- ◆ **A lâmina irá continuar a mover-se após libertar o interruptor.** Desligue sempre a ferramenta e aguarde que a lâmina pare completamente antes de pousar a ferramenta.

Atenção! O contacto com ou a inalação de poeiras que resultem da aplicação de corte, pode pôr em perigo a saúde do operador e de possíveis pessoas que se encontrem nas proximidades. Use uma máscara anti-poeira, especialmente concebida para protecção contra poeiras e vapores e certifique-se de que as pessoas que se encontrem ou entrem na área estão também protegidas.

- ◆ A utilização adequada é descrita neste manual de instruções.
- ◆ O uso de qualquer acessório ou o desempenho de qualquer operação com esta ferramenta, que não seja o recomendado neste manual de instruções pode constituir um risco em termos de ferimentos e/ou danos materiais.

Segurança dos outros

- ◆ Esta ferramenta não deve ser utilizada por pessoas (incluindo crianças) com capacidades físicas, sensoriais ou mentais reduzidas ou com falta de experiência e conhecimentos, a menos que sejam acompanhadas ou tenham recebido formação sobre a utilização deste equipamento por uma pessoa responsável pela sua segurança.
- ◆ As crianças devem ser vigiadas, para garantir que não brincam com o aparelho.

Riscos residuais

Podem ocorrer riscos residuais adicionais quando utilizar a ferramenta que poderão não estar incluídos nos avisos de segurança delimitados. Estes riscos podem ocorrer da utilização errada, utilização prolongada, etc.

Mesmo com a aplicação dos regulamentos de segurança relevantes e a implementação de dispositivos de segurança, alguns riscos residuais não podem ser evitados. Estes incluem:

- ◆ Ferimentos causados ao tocar nas peças rotativas/móveis.
- ◆ Ferimentos causados quando trocar quaisquer peças, lâminas ou acessórios.
- ◆ Ferimentos causados pela utilização prolongada de uma ferramenta. Quando utilizar qualquer ferramenta por períodos prolongados, certifique-se de que faz pausas regulares.
- ◆ Danos auditivos.

- ◆ Riscos à saúde causados por respirar poeira desenvolvidos quando utilizar a sua ferramenta (exemplo: trabalhos com madeira, principalmente carvalho, faia e MDF).

Vibração

Os valores de emissão de vibração indicados nos dados técnicos e na declaração de conformidade foram calculados de acordo com um método de teste padrão fornecido pela EN 60745 e poderão ser utilizados para comparar uma ferramenta com outra. Os valores de emissão de vibração também podem ser utilizados numa avaliação preliminar de exposição.

Atenção! Os valores de emissão de vibração durante a utilização real da ferramenta eléctrica podem diferir dos valores declarados dependendo da forma em que a ferramenta é utilizada. O nível de vibração pode aumentar acima do nível indicado.

Aquando da avaliação da exposição de vibração para determinar as medidas de segurança exigidas pela 2002/44/CE para proteger as pessoas que utilizam ferramentas eléctricas com regularidade no emprego, um cálculo da exposição de vibração deve considerar as condições reais de utilização e a forma como a ferramenta é utilizada, incluindo todas as partes do ciclo de funcionamento, tal como o tempo em que a ferramenta está desligada e quando está a funcionar ao ralenti além do tempo de accionamento.

Etiquetas colocadas na ferramenta

Os seguintes símbolos, em conjunto com o código de data, são apresentados na ferramenta:



Atenção! Para reduzir o risco de ferimentos, o utilizador deve ler o manual de instruções.

Instruções de segurança adicionais para as baterias e carregadores

Baterias

- ◆ Nunca tente abrir a bateria, seja qual for o motivo.
- ◆ Não exponha a bateria à água.
- ◆ Não armazene em locais onde a temperatura possa exceder os 40 °C.
- ◆ Apenas carregue a temperaturas ambiente entre 10 °C e 40 °C.
- ◆ Apenas carregue com o carregador fornecido com a ferramenta.
- ◆ Quando eliminar as baterias, siga as instruções que se encontram na secção "Protecção do ambiente".



Não tente carregar baterias danificadas.

Carregadores

- ◆ Apenas utilize o seu carregador BLACK+DECKER para carregar a bateria da ferramenta com a qual foi fornecido. Outras baterias podem rebentar, causando lesões pessoais e danos.
- ◆ Nunca tente carregar baterias não recarregáveis.
- ◆ Substitua imediatamente os cabos defeituosos.
- ◆ Não exponha o carregador à água.
- ◆ Não abra o carregador.
- ◆ Não investigue o carregador.



O carregador apenas se destina a ser utilizado em espaços interiores.



Leia o manual de instruções antes de utilizar.

Segurança eléctrica



O seu carregador tem um isolamento duplo; por conseguinte, não é necessário um fio de terra. Verifique sempre se a tensão da corrente eléctrica corresponde à tensão indicada na placa com os requisitos de alimentação da ferramenta. Nunca tente substituir a unidade do carregador por uma ficha de alimentação regular.

- ◆ Se o cabo de alimentação estiver danificado, deve ser substituído pelo fabricante ou um Centro de Assistência autorizado da BLACK+DECKER de modo a evitar riscos.

Características

Os seguintes símbolos, em conjunto com o código de data, são apresentados na ferramenta:

1. Interruptor de accionamento de velocidade variável
2. Botão de desbloqueio
3. Alavanca de bloqueio da lâmina de serra
4. Fixação da lâmina
5. Rolo de apoio da lâmina
6. Placa da base
7. Botão de acção de corte

fig. A (apenas BDCJS18)

Esta ferramenta inclui parte ou a totalidade das seguintes características.

8. Bateria
9. Carregador da bateria

Montagem

Atenção! Antes de montar, remova a bateria da ferramenta e certifique-se de que a lâmina de serra está parada. As lâminas de serra utilizadas podem estar quentes.

Montar e retirar a lâmina de serra (fig. B)

- ◆ Segure na lâmina de serra (11) com os dentes virados para a frente.

- ◆ Levante a alavanca de bloqueio da lâmina de serra (3).
- ◆ Introduza a haste da lâmina completamente na fixação da lâmina (4) o máximo possível.
- ◆ Levante a alavanca.
- ◆ Para remover a lâmina de serra (11), levante a alavanca de bloqueio da lâmina de serra (3) e puxe a lâmina para fora.

Instalar e retirar a bateria (fig. C)

- ◆ Para instalar a bateria (8), alinhe-a com o receptáculo da ferramenta. Deslize a bateria para o receptáculo e empurre até a bateria encaixar no respectivo local.
- ◆ Para remover a bateria, empurre o botão de libertação (12) enquanto retira ao mesmo tempo a bateria do receptáculo.

Utilização

Atenção! Deixe a ferramenta funcionar ao seu próprio ritmo. Não sobrecarregue.

Atenção! Nunca utilize a ferramenta quando a base da serra estiver solta ou removida.

Carregar a bateria (fig. A)

A bateria tem de ser carregada antes da primeira utilização e sempre que não fornecer energia suficiente durante trabalhos que eram efectuados facilmente. A bateria pode ficar quente enquanto estiver a carregar; isto é normal e não indica um problema.

Atenção! Não carregue a bateria a temperaturas ambiente inferiores a 10 °C ou superiores a 40 °C. Temperatura de carga recomendada: aprox. 24 °C.

Nota: O carregador não irá carregar uma bateria se a temperatura da célula for aproximadamente inferior a 10 °C ou superior a 40 °C. A bateria deve ser deixada no carregador e o carregador irá começar a carregar automaticamente quando a temperatura da célula aquecer ou arrefecer.

- ◆ Para carregar a bateria(8), introduza-a no carregador (9). Apenas há uma forma de encaixar a bateria no carregador. Não force o movimento de corte. Certifique-se de que a bateria está totalmente assente no carregador.
- ◆ Ligue o carregador à tomada e ligue a alimentação. O indicador de carga irá piscar. A carga está concluída quando o indicador de carga ficar continuamente aceso.
- ◆ O carregador e a bateria podem ficar ligados indefinidamente.
- ◆ Carregue as baterias descarregadas no prazo de uma semana. A vida útil da bateria será reduzida de forma significativa se for armazenada num estado descarregado.

Deixar a bateria no carregador

O carregador e a bateria podem ficar ligados com o LED a brilhar indefinidamente. O carregador irá manter a bateria como nova e totalmente carregada.

Diagnóstico do carregador

Se o carregador detectar uma bateria fraca ou danificada, o indicador de carga irá piscar a vermelho de forma rápida. Proceda da seguinte forma:

- ◆ Volte a introduzir a bateria (8).
- ◆ Se os indicadores de carga continuarem a piscar a vermelho de forma rápida, utilize uma bateria diferente para determinar se o processo de carga funciona correctamente.
- ◆ Se a bateria substituída carregar correctamente, a bateria original está defeituosa e deve ser enviada para um centro de assistência para reciclagem.
- ◆ Se a nova bateria proporcionar a mesma indicação da bateria original, leve o carregador a um centro de assistência autorizado para que seja submetido a um teste.

Nota: Pode demorar 30 minutos para determinar que a bateria está defeituosa. Se a bateria estiver demasiado quente ou demasiado fria, o LED irá piscar de forma alternada a vermelho, rápido e lento, uma vez a cada velocidade e repete.

Ligar e desligar (fig. D e E)

- ◆ Para ligar, deslize o interruptor de desbloqueio (2) para o lado esquerdo e, em seguida, puxe e segure o interruptor de velocidade variável (1).
- ◆ Para desligar, liberte o interruptor (1).

Atenção! Não ligue nem desligue a ferramenta quando estiver sob carga.

Atenção! Deslize sempre o interruptor de desbloqueio (2) para o lado direito, a posição bloqueada quando a ferramenta não está a ser utilizada.

Controlo da velocidade variável

O interruptor de ligar/desligar a velocidade variável oferece uma gama de velocidades para capacidades de corte bastante melhoradas em vários materiais.

- ◆ A velocidade é determinada por quanto o interruptor (1) é puxado.

Corte de biselamento (fig. F, G e H)

A placa da base pode ser estabelecida para um ângulo de biselamento esquerdo ou direito de 22,5° ou 45°.

Para estabelecer o ângulo de biselamento:

- ◆ Desaperte o parafuso de retenção da base (13) com a chave sextavada fornecida (14) para desbloquear a placa da base (6).

- ◆ Deslize a placa da base (6) para a frente para a libertar da paragem a um ângulo de 0°.
- ◆ Rode a placa da base para o ângulo de biselamento pretendido (fig. G).
- ◆ Deslize a placa da base (6) para trás para aplicar a paragem do ângulo.
- ◆ Aperte o parafuso de retenção da base (13) com a chave sextavada fornecida (14) para bloquear a placa da base (6) na posição necessária.

Nota: A base pode ser inclinada para a esquerda ou direita e tem mecanismos de paragem a um ângulo de 22,5° e 45°.

Ação de corte (fig. I)

A serra de vaivém está equipada com três acções de corte, duas orbitais e uma a direito. A acção orbital tem um movimento de lâmina mais agressivo e foi concebida para o corte de materiais macios, como madeira ou plástico. A acção orbital permite um corte mais rápido, mas através de um corte menos suave ao longo do material. No modo de acção orbital, a lâmina avança durante o curso de corte, além do movimento para cima e para baixo.

Atenção! Os metais ou madeiras duras nunca devem ser cortados no modo de acção orbital.

- ◆ Deslize o botão de acção de corte (7) entre as três posições de corte: 0, 1 e 2.
- ◆ A posição 0 é para corte a direito.
- ◆ A posição 1 e 2 são para corte orbital.
- ◆ A força do corte aumenta à medida que a alavanca é ajustada de um para dois, em que dois é o corte mais agressivo.

Serrar

- ◆ Segure sempre a ferramenta com as duas mãos.
- ◆ Deixe a lâmina a trabalhar livremente durante alguns segundos antes de iniciar o corte.
- ◆ Aplique apenas uma pressão leve à ferramenta quando realiza o corte.
- ◆ Se possível, trabalhe com a placa da base (6) pressionada contra a peça de trabalho. Isto irá aumentar o controlo da ferramenta e reduzir a vibração da ferramenta, assim como impedir que a lâmina seja danificada.

Sugestões para uma utilização excelente

Geral

- ◆ Utilize uma velocidade elevada para madeira, uma velocidade média para alumínio e PVC e uma velocidade reduzida para outros metais para além do alumínio.

Lâminas de serra

À medida que a lâmina de serra corta no curso vertical, pode ocorrer fragmentação na superfície mais próxima da placa da base.

- ◆ Utilize uma lâmina de serra de dentes finos.
- ◆ Serre desde a superfície posterior da peça de trabalho.
- ◆ Para minimizar a fragmentação, fixe um pedaço de madeira cortada ou madeira compensada em ambos os lados da peça de trabalho e serre por esta sanduíche.

Serrar metal

Tenha em atenção que serrar metal demora muito mais tempo do que serrar madeira.

- ◆ Utilize uma lâmina de serra adequada para serrar metal. Utilize uma lâmina de serra de dentes finos para cortar metais ferrosos e uma lâmina de serra mais grossa para materiais não ferrosos.
- ◆ Quando cortar chapas metálicas finas, fixe um pedaço de madeira cortada na superfície posterior da peça de trabalho e corte por esta sanduíche.
- ◆ Espalhe uma película de óleo ao longo da linha de corte pretendida.

Acessórios

O desempenho da sua ferramenta depende dos acessórios utilizados. Os acessórios da BLACK+DECKER são projectados de acordo com padrões de alta qualidade e concebidos para melhorar o desempenho da sua ferramenta. Ao utilizar estes acessórios irá obter o máximo desempenho da sua ferramenta. Esta ferramenta é adequada para lâminas de serra de haste em U e haste em T.

Manutenção

A sua ferramenta foi concebida para funcionar durante um longo período de tempo com um mínimo de manutenção. Uma utilização continuamente satisfatória depende de uma manutenção apropriada da ferramenta e de uma limpeza regular.

Atenção! Antes de realizar qualquer manutenção, desligue a ferramenta.

- ◆ Limpe as entradas de ventilação da sua ferramenta e carregador utilizando uma escova suave ou um pano seco.
- ◆ Limpe a caixa do motor de forma regular com um pano húmido. Não utilize qualquer agente de limpeza baseado em solvente ou abrasivo.
- ◆ Aplique ocasionalmente uma gota de óleo no eixo do rolo de apoio da lâmina (5).

Protecção do ambiente



Faça uma recolha de lixo seletiva. Os produtos e as baterias assinalados com este símbolo não devem ser eliminados juntamente com o lixo doméstico normal.

Os produtos e as baterias contêm materiais que podem ser recuperados ou reciclados, reduzindo assim a necessidade de matérias-primas.

Recicle os produtos eléctricos e as baterias de acordo com as disposições locais. Estão disponíveis mais informações em www.2helpU.com

Dados técnicos

BDCJS18 H1		
Tensão	V _{cc}	18
Velocidade sem carga	min ⁻¹	0-2500
Comprimento do curso	mm	19
Máx. profundidade de corte:		
Madeira	mm	55
Aço	mm	8
Alumínio	mm	20
Peso	Kg	1,87

Carregador		905902**/ N4940**	905998**/ 906349**
Tensão de entrada	V _{AC}	100-240	220-240
Tensão de saída	V _{DC}	8-20	8-20
Corrente	mA	400	1000
Tempo aproximado de carga	Horas	3-11	1,5-5

Bateria		BL2018*	BL2518*	BL1518*	BL4018
Tensão	V _{DC}	18	18	18	18
Capacidade	Ah	2,0	2,5	1,5	4,0
Tipo		lões de lítio	lões de lítio	lões de lítio	lões de lítio

Nível de pressão acústica de acordo com a norma EN60745:	
L _{PA} (pressão sonora) 84,5 dB(A), Variabilidade (K) 3 dB(A)	
L _{WA} (potência acústica) 95,5 dB(A), Variabilidade (K) 3 dB(A)	

Valores totais de vibração (soma vectorial triaxial) em conformidade com a norma EN 60745:	
Corte de tábuas (a _{h, B}) 6 m/s ² , variabilidade (K) 1,5 m/s ²	
Corte de chapas metálicas (a _{h, M}) 4,3 m/s ² , variabilidade (K) 1,5 m/s ²	

Declaração de conformidade da CE

DIRECTIVA "MÁQUINAS"



Serra de vaivém sem fios - BDCJS18

A Black & Decker declara que os produtos descritos em "Dados técnicos" se encontram em conformidade com as seguintes normas e directivas:

EN60745-1:2009+A11:2010, EN60745-2-11:2010

Estes produtos também estão em conformidade com a Directiva 2014/30/UE e 2011/65/UE.

Para obter mais informações, contacte a Black & Decker através da morada indicada em seguida ou consulte o verso do manual.

O abaixo assinado é responsável pela compilação do ficheiro técnico e faz esta declaração em nome da Black & Decker.

R. Laverick
Gestor de Engenharia
Black & Decker Europe, 210 Bath Road, Slough,
Berkshire, SL1 3YD
Reino Unido
19/10/2018

Garantia

A Black & Decker confia na qualidade dos seus produtos e oferece aos clientes uma garantia de 24 meses a partir da data de compra. Esta garantia é um complemento dos seus direitos estabelecidos por lei, não os prejudicando de forma alguma. A garantia é válida nos Estados-membros da União Europeia e nos países-membros da Zona Europeia de Comércio Livre.

Para accionar a garantia, esta deve estar em conformidade com os termos e condições da Black & Decker e terá de apresentar comprovativos de compra ao vendedor ou a um agente de reparação autorizado. Os termos e condições da garantia de 2 anos da Black & Decker e a localização do agente de reparação autorizado mais próximo podem ser obtidos na Internet em www.2helpU.com ou contactando uma filial da Black & Decker, cuja morada está indicada neste manual.

Visite o nosso Website www.blackanddecker.co.uk para registar o novo produto Black & Decker e manter-se atualizado relativamente a novos produtos e ofertas especiais.

Avsedd användning

Din BLACK+DECKER™ BDCJS18 kontursåg har konstruerats för att såga i trä, plast och plåt. Verktøget är endast avsett somkonsumentverktøg.

Säkerhetsinstruktioner

Allmänna säkerhetsvarningar för elverktøg



Varning! Läs alla säkerhetsvarningar och instruktioner. Underlåtenhet att följa varningarna och instruktionerna nedan kan resultera i elektrisk stöt, eldsvåda och/eller allvarlig personskada.

Spara alla varningar och instruktioner för framtida bruk. Termen "elverktøg" i varningarna syftar på ditt starkströmsdrivna (sladdanslutna) elverktøg eller batteridrivna (sladdlösa) elverktøg.

1. Säkerhet vid arbetsområdet

- Håll arbetsområdet rent och ordentligt upplyst.** Belamrade eller mörka områden inbjuder till olyckor.
- Använd inte elverktøg i explosiva miljöer, såsom i närheten av lättantändliga vätskor, gaser eller damm.** Elektriska verktyg ge upphov till gnistor som kan antända dammet eller ångorna.
- Håll barn och åskådare borta när du arbetar med ett elverktøg.** Störningarna kan göra att du tappar kontrollen.

2. Elektrisk säkerhet

- Kontakterna till elverktøget måste matcha uttaget. Modifiera aldrig kontakten på något sätt. Använd inte några adapterpluggar med jordanslutna (jordade) elektriska verktyg.** Omodifierade kontakter och matchande uttag minskar risken för elektrisk stöt.
- Undvik kroppskontakt med jordanslutna eller jordade ytor såsom rör, värmelement, spisar och kylskåp.** Det finns en ökad risk för elektrisk stöt om din kropp är jordanslutnen eller jordad.
- Utsätt inte elverktøg för regn eller våta förhållanden.** Vatten som kommer in i ett elverktøg ökar risken för elektrisk stöt.
- Missbruka inte sladden. Använd aldrig sladden till att bära, dra eller koppla bort elverktøget från strömmen. Håll sladden borta från värme, olja, skarpa kanter eller rörliga delar.** Skadade eller tilltrasslade sladdar ökar risken för elektrisk stöt.
- När du arbetar med ett elverktøg utomhus, använd en förlängningssladd som passar för utomhusbruk.** Användning av en sladd som passar för utomhusanvändning minskar risken för elektrisk stöt.
- Om arbete med ett elverktøg i en fuktig lokal är oundvikligt, använd ett uttag som är skyddat med**

jordfelsbrytare (RCD). Användning av en RCD minskar risken för elektrisk stöt.

3. Personlig säkerhet

- Var vaksam, ha koll på vad du gör och använd sunt förnuft när du arbetar med ett elverktøg. Använd inte ett elverktøg när du är trött eller påverkad av droger, alkohol eller mediciner.** Ett ögonblicks ouppmärksamhet när du arbetar med elektriska verktyg kan resultera i allvarlig personskada.
- Använd personlig skyddsutrustning. Använd alltid skyddsglasögon.** Skyddsutrustning såsom dammfilterskydd, halksäkra säkerhetsskor, skyddshjälm eller hörselskydd som används för lämpliga förhållanden minskar personskador.
- Förebygg oavsiktlig start. Se till att strömbrytaren är i fränläge innan du ansluter till strömkällan och/eller batteripaketet, plockar upp eller bär verktyget.** Att bära elektriska verktyg med ditt finger på strömbrytaren eller att strömsätta elektriska verktyg som har strömbrytaren på är att invitera olyckor.
- Avlägsna eventuella justeringsnycklar eller skiftnycklar innan du startar elverktøget.** En skiftnyckel eller en nyckel som sitter kvar på en roterande del av elverktøget kan resultera i personskada.
- Bøj dig inte för långt. Ha ordentligt fotfäste och balans hela tiden.** Detta möjliggör bättre kontroll av elverktøget i oväntade situationer.
- Klä dig på lämpligt sätt. Bär inte lösa kläder eller smycken. Håll hår, beklädnad och handskar borta från delar i rörelse.** Lösa kläder, smycken eller långt hår kan fastna i rörliga delar.
- Om det finns anordningar för anslutning av apparater för dammsug och uppsamling, se till att dessa är anslutna och används på ett korrekt sätt.** Användning av dammuppsamling kan minska dammrelaterade faror.
- Användning och skötsel av elverktøg**
 - Tvinga inte elverktøget. Använd det korrekta elverktøget för din tillämpning.** Det korrekta elverktøget gör arbetet bättre och säkrare vid den hastighet för vilket det konstruerades.
 - Använd inte elverktøget om strömbrytaren inte kan användas för att starta och stänga av det.** Ett elverktøg som inte kan kontrolleras med strömbrytaren är farligt och måste repareras.
 - Ta ur kontakten från strömkällan och/eller batteripaketet från elverktøget innan du gör några justeringar, byter tillbehör eller lägger elverktøgen i förvaring.** Sådana förebyggande säkerhetsåtgärder minskar risken att oavsiktligt starta elverktøget.

- d. Förvara elverktyg som inte används utom räckhåll för barn, och låt inte personer som är obekanta med elverktyget eller med dessa instruktioner använda elverktyget. Elektriska verktyg är farliga i händerna på utbildade användare.
- e. Underhåll elverktyg. Kontrollera om något är feljusterat eller om rörliga delar har fastnat, bristning hos delar och andra eventuella förhållanden som kan komma att påverka elverktygets funktion. Om det är skadat, se till att elverktyget blir reparerat före användning. Många olyckor orsakas av dåligt underhållna elektriska verktyg.
- f. Håll kapningsverktyg vassa och rena. Ordentligt underhållna kapningsverktyg med vassa sågkanter är mindre sannolika att fastna och är lättare att kontrollera.
- g. Använd elverktyget, tillbehören och verktygssatserna o.s.v. i enlighet med dessa instruktioner, och ta hänsyn till arbetsförhållandena och det arbete som ska utföras. Användningen av elverktyget för andra verksamheter än de som det är avsett för skulle kunna resultera i en farlig situation.
5. Användning och skötsel av batteridrivet verktyg
- a. Ladda endast med den laddare som rekommenderas av tillverkaren. En laddare som passar en batterityp kan medföra brandrisk om den används ihop med ett annat batteri.
- b. Använd endast elverktyg med särskilt konstruerade batteripaket. Användning av något annat batteripaket kan skapa risker för skador och brand.
- c. När batteripaket inte används bör de hållas borta från andra metallföremål som gem, mynt, nycklar, spikar, skruvar och andra små metallföremål som kan skapa kontakt mellan de två polerna. Kortslutning mellan batteriets poler kan orsaka brännskada eller brand.
- d. Under olämpliga förhållanden kan vätska spruta ut från batteriet. Undvik kontakt. Vid oavsiktlig kontakt, spola med vatten. Om vätskan kommer i kontakt med ögonen, sök också läkarhjälp. Vätska som sprutar ur batteriet kan orsaka sveda och brännskador.
6. Service
- a. Se till att ditt elverktyg får service av en kvalificerad reparatör som endast använder identiska reservdelar. Detta säkerställer att elverktygets säkerhet bibehålls.

Ytterligare varningar för elverktyg



Varning! Ytterligare säkerhetsvarningar för kontursågar och fram- och återgående sågar

- ◆ Håll elverktyget i isolerade greppytor under arbete där sågtillbehöret kan komma i kontakt med dolda

strömförande ledningar. Kaptillbehör som kommer i kontakt med strömförande ledningar kan göra att exponerade metalldelar hos elverktyget blir strömförande och kan ge användaren en elektrisk stöt.

- ◆ **Använd klämmor eller något annat praktiskt sätt att stödja arbetsstycket vid ett stabilt underlag.** Att hålla arbetet för hand eller mot kroppen är instabilt och kan göra att du förlorar kontrollen.
- ◆ **Håll händerna borta från sågområdet.** Sträck aldrig av någon anledning i händerna under arbetsstycket. Håll undan fingrar och tummen från det fram- och återgående sågbladet och sågbladsfästet. Stabilisera inte sågen genom att greppa sågboten.
- ◆ **Håll bladen vassa.** Slöa eller skadade blad kan leda till att sågen slirar eller stannar under tryck. Använd alltid rätt typ av sågblad för arbetsstyckets material och snittets typ.
- ◆ **Se till att rör och ledningar som ska kapas är fria från vatten, elledningar o.s.v.**
- ◆ **Vidrör inte arbetsstycket eller bladet direkt efter att verktyget har använts.** De kan bli mycket varma.
- ◆ **Se upp för dolda faror innan du sågar i väggar, golv eller tak. Kontrollera om det finns elledningar och rör.**
- ◆ **Bladet fortsätter att röra sig efter att strömbrytaren släpps.** Stäng alltid av verktyget och vänta på att sågbladet ska stanna helt innan du lägger ner det.

Varning! Kontakt med eller inandning av damm som bildas vid sågning kan skada användarens och eventuella åskådarens hälsa. Använd ett andningskydd som har konstruerats speciellt för skydd mot damm och rök och se till att personer inom eller som kommer in i arbetsområdet också skyddas.

- ◆ Avsedd användning beskrivs i denna bruksanvisning.
- ◆ Användning av andra tillbehör, tillsatser eller utförande av annat arbete med detta verktyg än vad som rekommenderas i denna bruksanvisning kan utgöra en risk för personskador.

Säkerhet för andra

- ◆ Detta verktyg är inte avsett att användas av personer (inklusive barn) med reducerad fysisk, sensorisk eller mental förmåga eller med begränsad erfarenhet eller kunskap såvida de inte är under uppsikt eller har fått instruktioner om användning av apparaten av en person som är ansvarig för deras säkerhet.
- ◆ Barn bör övervakas så att de inte leker med apparaten.

Återstående risker

Ytterligare risker kan uppkomma vid användning av verktyget som inte anges i de medföljande säkerhetsvarningarna. Dessa risker kan uppkomma till följd av missbruk, långvarig användning o.s.v.

Trots applicering av de relevanta säkerhetsbestämmelserna och implementeringen av säkerhetsapparater kan vissa oförutsedda risker inte undvikas. Dessa omfattar:

- ◆ Skador som uppstår vid kontakt med rörliga delar.
- ◆ Skador till följd av byte av delar, sågblad eller tillbehör.
- ◆ Skador till följd av långvarig användning av verktyget. Se till att ta regelbundna pauser när verktyget används under långa perioder.
- ◆ Hörseleksättning.
- ◆ Hälsorisker till följd av inandning av damm som bildas när du använder ditt verktyg (till exempel arbete i trä, särskilt ek, björk och spånskivor).

Vibrationer

Vibrationsemissionsvärdet som anges i det tekniska databladet och överensstämmelsedeklarationen har uppmätts i enlighet med en standardtestmetod enligt EN 60745 och kan användas för att jämföra två verktyg med varandra. Det angivna vibrationsemissionsvärdet kan också användas för att göra en preliminär exponeringsbedömning.

Varning! Vibrationsemissionsvärdet vid faktisk användning kan skilja sig från det angivna värdet beroende på hur verktyget används. Vibrationsnivån kan överskrida den angivna nivån.

Vid bedömning av vibrationsexponering i syfte att fastställa vilka säkerhetsåtgärder som krävs enligt 2002/44/EC för att skydda personer som regelbundet använder elverktyg i arbetet ska vibrationsexponeringsbedömningen väga in de faktiska användningsförhållandena och ta hänsyn till alla steg i drifts cykeln, t.ex. den tid verktyget är avstängt och när det körs på tomgång utöver den faktiska sågtiden.

Etiketter på verktyget

Följande piktogram visas på verktyget tillsammans med datumkoden:



Varning! För att minska risken för personskada måste användaren läsa instruktionshandboken.

Ytterligare säkerhetsinstruktioner för batterier och laddare

Batterier

- ◆ Försök aldrig öppna batteriet.
- ◆ Exponera aldrig batteriet för vatten.
- ◆ Förvara inte på platser där temperaturen kan överstiga 40 °C.
- ◆ Ladda endast på platser med en temperatur på mellan 10 °C och 40 °C.
- ◆ Ladda endast med den laddare som medföljer verktyget.
- ◆ När batterier kasseras ska instruktionerna som anges i avsnittet "Skydd av miljön" följas.



Försök inte att ladda skadade batterier.

Laddare

- ◆ Använd endast din BLACK+DECKER-laddare för att ladda batteriet till det verktyg som den levererades med. Olika typer av batterier kan brista och orsaka personskador och skada på egendom.
- ◆ Försök aldrig att ladda icke-laddningsbara batterier.
- ◆ Ersätt omedelbart defekta sladdar.
- ◆ Exponera inte laddaren för vatten.
- ◆ Öppna inte laddaren.
- ◆ Penetrera inte laddaren.



Laddaren är enbart avsedd för inomhusbruk.



Läs instruktionshandboken före användning.

Elektrisk säkerhet



Din laddare är dubbelisolerad och därför krävs ingen jordkabel. Kontrollera alltid att elnätets totallt motsvarar volttalet på klassificeringsplattan. Försök aldrig att ersätta laddaren med en vanlig strömkabel.

- ◆ Om strömkabeln skadas måste den ersättas av tillverkaren eller ett auktoriserat BLACK+DECKER-servicecenter för att undvika fara.

Egenskaper

Följande symboler visas på verktyget tillsammans med datumkoden:

1. Variabel hastighetskontroll
2. Upplåsningsknapp
3. Låsspak för sågbladet
4. Sågbladsfäste
5. Bladstödrulle
6. Sågfot
7. Knapp för sågverkan

fig. A (enbart BDCJS18)

Verktyget har vissa eller alla av följande funktioner.

8. Batteri
9. Batteriladdare

Montering

Varning! Avlägsna batteriet från verktyget och försäkra dig om att sågbladet har stannat innan montering. Använda sågblad kan vara varma.

Montering och avlägsnande av sågblad (fig. B)

- ◆ Håll i sågbladet (11) med tänderna framåt.
- ◆ Lyft sågbladets låsspak (3) uppåt.
- ◆ För in bladets skaft helt i verktygsfästet (4) så långt det går.
- ◆ Släpp spaken.

- ◆ För att avlägsna sågbladet (11), lyft sågbladets låsspak (3) uppåt och dra ut sågbladet.

Montera och avlägsna batteriet (fig. C)

- ◆ För att montera batteriet (8), placera det i linje med verktygets batterifack. För in batteriet i facket och tryck tills batteriet sitter på plats.
- ◆ För att avlägsna batteriet, tryck på frigöringsknappen (12) samtidigt som du drar ut batteriet från batterifacket.

Användning

Varning! Låt verktyget arbeta i sin egen takt. Överbelasta det inte.

Varning! Använd aldrig verktyget när sågfooten är lös eller avlägsnad.

Ladda batteriet (fig. A)

Batteriet behöver laddas före den första användningen och när det inte lyckas producera tillräcklig kraft för att utföra jobb som lätt utfördes tidigare. Batteriet kan bli varmt vid laddning. Detta är normalt och betyder inte att det finns ett problem.

Varning! Ladda inte batteriet i omgivningstemperaturer som understiger 10 °C eller överstiger 40 °C. Rekommenderad laddningstemperatur: ca 24 °C.

Notera: Laddaren laddar inte batteriet om celltemperaturen understiger ca 10 °C eller överstiger 40 °C. Batteriet bör lämnas i laddaren och kommer då att börja laddas automatiskt när celltemperaturen stiger eller sjunker.

- ◆ Sätt batteriet (8) i laddaren (9) för att ladda det. Batteriet passar i laddaren i endast ett läge. Använd inget våld. Se till att batteriet sitter ordentligt i laddaren.
- ◆ Koppla in laddaren och slå på strömmen. Laddningsindikatorn börjar blinka. Laddningen är färdig när laddningsindikatorn lyser med ett fast sken.
- ◆ Laddaren och batteriet kan lämnas anslutna på obestämd tid.
- ◆ Ladda urladdade batterier inom en vecka. Batteriets livslängd försämras avsevärt om det förvaras i urladdat läge.

Lämna batteriet i laddaren

Laddaren och batteripaketet kan lämnas anslutna när LED-lampan lyser med ett fast sken. Laddaren håller batteripaketet i gott skick och fulladdat.

Laddningsdiagnostik

Om laddaren detekterar ett svagt eller skadat batteri kommer laddningsindikatorn att blinka snabbt rött. Gör följande:

- ◆ Sätt tillbaka batteriet (8).
- ◆ Om laddningsindikatorn fortsätter att blinka snabbt rött, använd ett annat batteri för att avgöra om laddningsprocessen fungerar.

- ◆ Om ersättningsbatteriet fungerar korrekt är originalbatteriet defekt och bör lämnas till ett servicecenter för återvinning.
- ◆ Om det nya batteriet ger samma indikation som originalbatteriet bör du ta med laddaren till ett servicecenter för att testa den.

Notera: Det kan ta upp emot 30 minuter att avgöra om batteriet är defekt. Om batteriet är för varmt eller för kallt blinkar LED-lampan rött, snabbt och långsamt omvärtannat i ett uppreparande mönster.

Påslagning och avstängning (fig. D och E)

- ◆ För att starta verktyget, skjut låsknappen (2) till vänster och tryck och håll sedan nere avtryckaren för variabel hastighet (1).
- ◆ Släpp avtryckaren (1) för att stänga av.

Varning! Slå inte på eller stäng av verktyget när det belastas.

Varning! Skjut alltid låsknappen (2) till höger, d.v.s. låst position, när verktyget inte används.

Variabel hastighetskontroll

Avtryckaren för variabel hastighet ger en rad hastighetsalternativ för förbättrad skärhastighet i olika material.

- ◆ Hastigheten bestäms av hur mycket avtryckaren (1) trycks in.

Fassågning (fig. F, G och H)

Sågfooten kan justeras till höger eller vänster fäsvinkel vid 22,5° eller 45°.

Ställa in fäsvinkel:

- ◆ Lossa på sågfootens fästskruv (13) med medföljande insexnyckel (14) för att lossa på sågfooten (6).
- ◆ Skjut sågfooten (6) framåt för att lossa den från spärren vid 0°.
- ◆ Rotera sågfooten till dess önskade fäsvinkel (fig. G).
- ◆ Skjut sågfooten bakåt för att aktivera höger eller vänster spärr.
- ◆ Dra åt sågfootens fästskruv (13) med medföljande insexnyckel (14) för att låsa fast sågfooten (6) i önskat läge.

Notera: Sågfooten kan vinklas åt vänster eller åt höger och har spärrar vid 22,5° och 45°.

Sågverkan (fig. I)

Denna sticksåg är utrustad med tre alternativ för sågverkan, två bågformade och en rak. Bågformad har en mer aggressiv bladrörelse och är avsedd för sågning i mjuka material såsom trä eller plast. Bågformad sågning ger en snabbare sågning men med ett mindre jämt spår över materialet. Vid bågformad rörelse rörs sig bladet framåt under sågningen förutom rörelsen upp och ned.

Varning! Metall och hårt trä skall aldrig sågas med bågformad sågning.

- ◆ Skjut knappen för sågverkan (7) mellan de tre sågpositionerna: 0, 1 och 2.
- ◆ Position 0 är rak sågning.
- ◆ Position 1 och 2 är bågformad sågning.
- ◆ Aggressiviteten hos sågningen ökar när spaken ändras från ett till två, där två är den mest aggressiva sågningen.

Sågning

- ◆ Håll alltid verktyget med båda händerna.
- ◆ Låt sågbladet löpa fritt några sekunder innan du påbörjar sågningen.
- ◆ Applicera ett lätt tryck på verktyget när du utför sågningen.
- ◆ Om möjligt, tryck sågfooten (6) mot arbetsstycket när du sågar. Detta ökar kontrollen över verktyget och minskar vibrationer. Det förhindrar även att bladet skadas.

Tips för optimal användning

Allmänt

- ◆ Använd hög hastighet på trä, medelhastighet på aluminium och plast och låg hastighet på metall som inte är aluminium.

Sågning av laminat

När sågbladet går uppåt kan flisning förekomma på ytan närmast sågfooten.

- ◆ Använd ett sågblad med en fin sågklinga.
- ◆ Såga från arbetsstyckets bakre yta.
- ◆ Kläm fast ett stycke spillträ eller en hård träplatta på båda sidorna av arbetsstycket och såga genom bunten.

Såga metall

Var medveten om att det tar mycket längre tid att såga i metall än att såga i trä.

- ◆ Använd en sågklinga som är lämplig för att såga i metall. Använd ett finare sågblad för järnhaltiga metaller och ett grövre blad för icke-järnhaltiga metaller.
- ◆ Spänn fast ett stycke spillträ på baksidan av arbetsstycket när du sågar i tunn metallplåt och såga genom bunten.
- ◆ Applicera ett lager olja längs den avsedda såglinjen.

Tillbehör

Ditt verktygs prestanda beror på vilka tillbehör som används. Tillbehör från BLACK+DECKER är konstruerade efter höga kvalitetsstandarder för att förbättra prestandan hos ditt verktyg. Genom att använda dessa tillbehör får du ut det bästa av ditt verktyg.

Verktyget är lämpligt både för sågblad med U- och T-fästen.

Underhåll

Ditt verktyg har konstruerats för att fungera under lång tid med minimalt underhåll. Varaktigt och tillfredsställande drift är beroende av noggrann skötsel och regelbunden rengöring.

Varning! Stäng av och koppla från verktyget innan du utför underhåll.

- ◆ Rengör regelbundet ventilationshålen på ditt verktyg och din laddare med hjälp av en mjuk borste eller en torr trasa.
- ◆ Rengör regelbundet motorhöljet med hjälp av en fuktig trasa. Använd inte slipmedel eller lösningsbaserade rengöringsmedel.
- ◆ Applicera emellanåt en droppe olja på bladstödrullens axel (5).

Miljö



Separat insamling. Produkter och batterier som är markerade med denna symbol får inte kastas in de vanliga hushållssoporna.

Produkter och batterier innehåller material som kan återanvändas eller återvinnas för att minska behovet av råmaterial.

Återvinn elektriska produkter och batterier enligt lokala bestämmelser. Närmare information finns tillgänglig på www.2helpU.com.

Tekniska data

BDCJS18 H1		
Spänning	V _{dc}	18
Varvtal obelastad	min ⁻¹	0-2500
Slaglängd	mm	19
Maximalt sågdjup:		
Trä	mm	55
Stål	mm	8
Aluminium	mm	20
Vikt	Kg	1.87

Laddare		905902**/ N4940**	905998**/ 906349**
Inspänning	V _{dc}	100-240	220-240
Utspänning	V _{dc}	8-20	8-20
Ström	mA	400	1000
Ungefärlig laddningstid	Timmar	3-11	1.5-5

Batteri		BL2018*	BL2518*	BL1518*	BL4018
Spänning	V _{dc}	18	18	18	18
Kapacitet	Ah	2.0	2.5	1.5	4.0
Typ		Li-jon	Li-jon	Li-jon	Li-jon

Ljudtrycksnivå enligt EN60745:
L_{pa} (ljudtryck) 84,5 dB(A), felmarginal (K) 3 dB(A)
L_{WA} (ljudstyrka) 95,5 dB(A), felmarginal (K) 3 dB(A)
Vibrationstotalvärdet (triaxvektor-summa) i enlighet med EN 60745:
Sågning av brädor ($a_{h,B}$) 6 m/sek ² , felmarginal (K) 1,5 m/sek ²
Sågning av plåt ($a_{h,M}$) 4,3 m/sek ² , felmarginal (K) 1,5 m/sek ²

EG-deklaration om överensstämmelse

MASKINDIREKTIV



Sladdlös sticksåg – BDCJS18

Black & Decker deklarerar att dessa produkter som finns beskrivna under "tekniska data" uppfyller: EN60745-1:2009+A11:2010, EN60745-2-11:2010

De här produkterna överensstämmer även med direktiven 2006/42/EG, 2014/30/EU och 2011/65/EU.

För ytterligare information, kontakta Black & Decker på följande adress eller se slutet av bruksanvisningen.

Undertecknad är ansvarig för sammanställningen av tekniska data och gör denna försäkran på Black & Decker vägnar.

R. Laverick
Chefsingenjör
Black & Decker Europe, 210 Bath Road, Slough,
Berkshire, SL1 3YD
Storbritannien
2018-10-19

Garanti

Black & Decker är säkra på kvaliteten hos denna produkt och erbjuder kunder 24 månaders garanti från datumet för inköpet. Garantin gäller utöver konsumentens rättigheter enligt lag och påverkar inte dessa. Garantin är giltig i de områden som tillhör medlemsstaterna i Europeiska unionen och det europeiska frihandelsområdet.

För yrkande under garantin måste yrkandet vara i enlighet med Black & Deckers villkor och du kommer att behöva skicka in bevis på köpet till försäljaren eller en auktoriserad reparatör. Villkoren för Black & Deckers tvååriga garanti och var du hittar din närmaste auktoriserade reparatör kan erhållas på

internet på www.2helpU.com, eller genom att kontakta ditt lokala Black & Decker kontor på adressen som angetts i denna bruksanvisning.

Besök vår webbplats www.blackanddecker.se för att registrera din nya Black & Decker-produkt samt för att få information om nya produkter och specialerbjudanden.

NORSK

(Översettelse av de opprinnelige instruksjonene)

Tiltenkt bruk

Din BLACK+DECKER™ BDCJS18-sticksag er utformet for å sage i tre, plast og platemetall. Verktøyet er beregnet bare som konsumentverktøy.

Sikkerhetsinstruksjoner

Generelle sikkerhetsadvarsler for elektriske verktøy



Advarsel! Les alle sikkerhetsadvarsler og alle instruksjoner. Manglende overholdelse av advarslene og instruksjonene nedenfor kan resultere i elektrisk støt, brann og/eller alvorlig personskade.

Lagre alle advarsler og instruksjoner til fremtidig bruk.

Uttrykket «elektrisk verktøy» i advarslene henviser til ditt strømdrevet (med ledning) elektrisk verktøy eller ditt batteridrevet (uten ledning) elektrisk verktøy.

1. Sikkerhet på arbeidsområdet

- Hold arbeidsområdet rent og godt opplyst.** Rotete eller mørke områder er en invitasjon til ulykker.
- Ikke bruk elektriske verktøy i eksplosive omgivelser, slik som i nærheten av antenkelige væsker, gasser eller støv.** Elektrisk verktøy skaper gnister som kan antenne støv eller gasser.
- Hold barn og tilskuere borte mens du bruker et elektrisk verktøy.** Distraksjoner kan føre til at du mister kontrollen.

2. Elektrisk sikkerhet

- Støpselet til elektriske verktøy må passe til stikkkontakten. Aldri modifierer støpselet på noen måte. Ikke bruk adaptere med jordede elektriske verktøy.** Umodifiserte støpsler og stikkontakter som passer vil redusere risikoen for elektrisk sjokk.
- Unngå kroppskontakt med jordede overflater slik som rør, radiatorer, komfyrer og kjøleskap.** Det er økt risiko for elektrisk støt dersom kroppen din er jordet.
- Ikke eksponer elektriske verktøy for regn eller våte forhold.** Dersom det kommer vann inn i et elektrisk verktøy vil det øke risikoen for elektrisk sjokk.
- Ikke bruk ledningen feil. Aldri bruk ledningen til å bære, trekke eller dra ut støpselet til det elektriske verktøyet. Hold ledningen borte fra varme, olje, skarpe kanter eller bevegelige deler.** Skadede eller innviklede ledninger øker risikoen for elektrisk sjokk.
- Når du bruker et elektrisk verktøy utendørs, bruk en skjøteledning som er egnet for utendørs bruk.** Bruk av en skjøteledning beregnet for utendørs bruk reduserer risikoen for elektrisk støt.
- Dersom bruk av et elektrisk verktøy på et fuktig sted er uunngåelig, bruk en strømkilde med jordfeilbryter (RCD).** Bruk av jordfeilbryter (RCD) reduserer risikoen for elektrisk sjokk.

3. Personlig sikkerhet

- Vær oppmerksom og vær nøye med det du gjør og bruk sunn fornuft når du bruker et elektrisk verktøy. Ikke bruk et elektrisk verktøy dersom du er trøtt eller er påvirket av medikamenter, narkotika eller alkohol.** Ett øyeblikks uoppmerksomhet under bruk av elektriske verktøy kan føre til alvorlig personskade.
- Bruk personlig verneutstyr. Bruk alltid vernebriller.** Verneutstyr slik som støvmaske, skliskre vernesko, hjelm, eller hørselsvern brukt under passende forhold vil redusere personskader.
- Unngå utilsiktet oppstart. Sikre at bryteren er i av-stillingen før du kobler til strømkilden og/eller batteripakken, plukker opp eller bærer verktøyet.** Å bære elektriske verktøy med fingeren på bryteren eller å sette inn støpselet mens elektriske verktøy har bryteren på øker faren for ulykker.
- Fjern eventuelle justeringsnøkler før du slår på det elektriske verktøyet.** En nøkkel som er festet til en roterende del av det elektriske verktøyet kan føre til personskade.
- Ikke strekk deg for langt. Ha godt fotfeste og stå støtt hele tiden.** Dette fører til at du har bedre kontroll over det elektriske verktøyet ved uventede situasjoner.
- Bruk egnet antrekk. Ikke ha på deg løstsittende klær eller smykker. Hold hår, antrekk og hansker borte fra**

bevegelige deler. Løstsittende klær, smykker og langt hår kan bli fanget opp av bevegelige deler.

- Hvis apparatet er utstyrt for tilkobling av støvutsugings- og oppsamlingsinnretninger, må du sørge for at disse er koblet til og korrekt brukt.** Bruk av støvoppsamlere kan redusere strvelaterte farer.
- Bruk og vedlikehold av elektriske verktøy**
 - Ikke bruk kraft på verktøyet. Bruk det elektriske verktøyet som situasjonen krever.** Det riktige elektriske verktøyet vil gjøre jobben bedre og tryggere ved den hastigheten det ble konstruert for.
 - Ikke bruk verktøyet hvis bryteren ikke kan slå verktøyet av eller på.** Ethvert elektrisk verktøy som ikke kan kontrolleres med bryteren er farlig og må repareres.
 - Koble støpselet fra strømkilden og/eller batteripakken fra det elektriske verktøyet før du foretar noen justeringer, endrer tilbehør eller lagrer elektriske verktøy.** Slike preventive sikkerhetsforanstaltninger reduserer risikoen for å starte det elektriske verktøyet ved et uhell.
 - Lagre elektriske verktøy som ikke er i bruk utilgjengelig for barn og la ikke personer som ikke er kjent med det elektriske verktøyet eller disse instruksjonene bruke det.** Elektriske verktøy er farlige i hendene på utrenede brukere.
 - Vedlikehold elektriske verktøy. Kontroller om bevegelige deler er feiljustert eller fastskjørt, om deler er ødelagt eller andre forhold som kan påvirke driften av verktøyet.** Dersom det er skadet, få verktøyet reparert før neste bruk. Mange ulykker forårsakes av dårlig vedlikeholdte verktøy.
 - Hold skjæreverktøy skarpe og rene.** Godt vedlikeholdte skjæreverktøy med skarpe skjærekanten setter seg mindre sannsynlig fast og er lettere å kontrollere.
 - Bruk verktøyet, tilbehørene, verktøyklingene osv. i samsvar med disse instruksjonene og ta i betraktning arbeidsforholdene og det arbeidet som skal utføres.** Bruk av det elektriske verktøyet for oppgaver som er forskjellige fra de som er tiltenkt kan føre til en farlig situasjon.
- Bruk og stell av batteriverktøy**
 - Skal kun lades opp ved hjelp av batteriladere spesifisert av produsenten.** En lader som passer for en type batteripakke kan føre til risiko for brann dersom den brukes på en annen batteripakke.
 - Bruk verktøyet kun med batteripakken som er spesifisert.** Bruk av andre batteripakker kan føre til risiko for personskade og brann.
 - Når batteripakken ikke er i bruk, hold den unna metallgjenstander som binderser, mynter, nøkler, filer, skrur eller andre små metallgjenstander som kan**

skape en kobling fra én pol til den andre. Kortslutning av batteripolene mot hverandre kan føre til brannskader eller brann.

- d. **Ved feilaktig bruk kan det komme væske ut av batteriet, unngå kontakt med den. Dersom du kommer i kontakt med den, skyll av med vann. Dersom du får væsken i øynene, søk legehjelp.** Væske som kommer ut av batteriet kan føre til irritasjon eller brannskader.

6. Service

- a. **Få det elektriske verktøyet ditt vedlikeholdt av en kvalifisert reparatør som bruker kun originale reservedeler.** Dette vil sikre at verktøyets sikkerhet blir ivarettatt.

Ytterligere sikkerhetsadvarsler for elektriske verktøy



Advarsel! Ytterligere sikkerhetsadvarsler for stikksag og bajonettsag

- ◆ **Hold det elektriske verktøyet kun i isolerte gripeoverflater når du utfører operasjoner hvor skjæreverktøyet kan komme i kontakt med skjulte ledninger.** Kuttutstyr som kommer i kontakt med en strømførende ledning kan føre til at eksponerte metalldele på elektroverktøyet blir strømførende, og kan gi operatøren elektrisk støt.
- ◆ **Bruk klemmer eller en annen praktisk måte å feste og støtte arbeidsstykket på en stabil platform.** Å holde arbeidsstykket i hendene eller mot kroppen er ustabil og kan føre til at du mister kontroll.
- ◆ **Hold hendene unna skjærområdet.** Strekk aldri under noen omstendigheter hendene under arbeidsstykket. Ikke før fingrene eller tomlene inn i nærheten av det frem- og tilbakegående bladet og bladklemmen. Ikke stabiliser sagen ved å gripe tak i skoen.
- ◆ **Hold bladene skarpe.** Sløve eller skadde blader kan føre til at sagen svinger ut eller blokkeres under trykk. Bruk alltid passende type sagblad for arbeidsmaterialet og skjæretypen.
- ◆ **Når du skjærer rør eller ledninger, skal du sørge for at de er fri for vann, elektriske ledninger osv.**
- ◆ **Ikke berør arbeidsstykket eller bladet straks etter bruk av verktøyet.** De kan bli svært varme.
- ◆ **Vær oppmerksom på skjulte farer før skjæring i vegger, gulv eller tak. Kontroller plasseringen av ledninger og rør.**
- ◆ **Bladet vil fortsette å bevege seg etter at bryteren slippes opp.** Slå alltid verktøyet av og vent til bladet stopper helt før du legger fra deg verktøyet.

Advarsel! Kontakt med eller innånding av støv fra skjærebred bruk kan skade helsen til operatøren og eventuelle

tilstedeværende. Bruk en støvmaske som er spesielt utviklet for beskyttelse mot giftig støv og gasser og påse at personer innenfor, eller som kommer inn i, arbeidsområdet også har beskyttelse.

- ◆ Bruksområdet er beskrevet i denne bruksanvisningen.
- ◆ Bruk av ethvert tilbehør eller ekstrautstyr, eller utføring av andre operasjoner med dette verktøy, enn det som er beskrevet i denne bruksanvisningen, kan gi risiko for personskader og/eller skade på eiendom.

Andres sikkerhet

- ◆ Dette apparatet er ikke ment for bruk av personer (inkludert barn) med redusert fysiske, sensoriske eller mentale evner eller mangel på erfaring og kunnskap, med mindre de får tilsyn eller har blitt opplært i bruk av apparatet av en person ansvarlig for deres sikkerhet.
- ◆ Barn må holdes under oppsyn for å sørge for at de ikke leker med apparatet.

Restrisikoer

Det kan oppstå ytterligere restrisikoer ved bruk av verktøyet, som kanskje ikke er inkludert i de medfølgende sikkerhetsadvarslene. Disse risikoene kan oppstå som følge av feilbruk, langvarig bruk osv.

På tross av samsvar med relevante sikkerhetsregler og inkludering av sikkerhetsinnretninger, kan visse restrisikoer ikke unngås. Disse inkluderer:

- ◆ Skader som følge av berøring av roterende/bevegende deler.
- ◆ Skader som oppstår ved utskifting av deler, blader eller tilbehør.
- ◆ Skader som følge av langvarig bruk av verktøyet. Når du bruker ethvert verktøy i lengre perioder, skal du sørge for å ta pauser med jevne mellomrom.
- ◆ Hørselskader.
- ◆ Helsefarer forårsaket av innånding av støv som utvikles ved bruk av verktøyet (eksempel: arbeid med tre, spesielt eik, bøk og MDF.)

Vibrasjon

De erklærte vibrasjonsverdiene beskrevet i tekniske data og samsvarserklæringen har blitt målt i henhold til en standard testmetode levert av EN 60745 og kan brukes til å sammenligne ett verktøy med et annet. Den erklærte vibrasjonsverdien kan også brukes i en innledende eksponeringsvurdering.

Advarsel! Vibrasjonsverdien under faktisk bruk av det elektriske verktøyet kan variere fra den erklærte verdien, avhengig av måtene verktøyet blir brukt på. Vibrasjonsnivået kan stige over det erklærte nivået.

Ved vurdering av vibrasjonseksponeringen for å bestemme sikkerhetstiltakene som kreves av 2002/44/EC for å beskytte personer som jevnlig bruker elektroverktøy i arbeidslivet, bør en estimering av vibrasjonseksponeringen ta i betraktning de faktiske bruksforholdene og hvordan verktøyet brukes, inkludert herunder alle deler av driftssyklusen som for eksempel de gangene maskinen er slått av og når den går på tomgang i tillegg til når den er i aktivitet.

Etiketter på verktøyet

Følgende piktogrammer sammen med datokoden vises på verktøyet:



Advarsel! For å redusere risikoen for personskade må brukeren lese bruksanvisningen.

Ytterligere sikkerhetsinstruksjoner for batterier og ladere

Batterier

- ◆ Forsøk aldri å åpne av noen årsak.
- ◆ Ikke eksponer batteriet for vann.
- ◆ Må ikke oppbevares på steder hvor temperaturen kan stige til over 40 °C.
- ◆ Må bare lades ved romtemperaturer på mellom 10 °C og 40 °C.
- ◆ Må bare lades med laderen som leveres med verktøyet.
- ◆ Ved avfallshåndtering av batteriene, skal du følge instruksjonene fra avsnittet «Beskytte miljøet».



Ikke forsøk å lade skadde batterier.

Ladere

- ◆ BLACK+DECKER-laderen må bare brukes til å lade batteriet i verktøyet som laderen ble levert med. Andre batterier kan sprekke og forårsake personskader og materielle skader.
- ◆ Du må aldri forsøke å lade ikke-oppladbare batterier.
- ◆ Skift ut skadde ledninger umiddelbart.
- ◆ Ikke eksponer laderen for vann.
- ◆ Ikke åpne laderen.
- ◆ Ikke utforsk laderen.



Laderen er bare ment for innendørs bruk.



Les bruksanvisningen før bruk.

Elektrisk sikkerhet



Laderen din er dobbeltisolert, derfor er det ikke nødvendig med noen jordingsledning. Kontroller alltid at nettpenningen stemmer med spenningen på typeskiltet. Du må aldri forsøke å skifte ut laderenheten med et vanlig støpsel.

- ◆ Dersom strømledningen er skadet, må den skiftes ut av produsenten eller et autorisert BLACK+DECKER-servicesenter for å unngå fare.

Funksjoner

De følgende symbolene sammen med datokoden vises på verktøyet:

1. Avtrekksbryter for variabel hastighet
2. Låseknapp
3. Sagbladets låsespak
4. Bladklemme
5. Bladstøtterulle
6. Skoplate
7. Skjærekknapp

fig. A (kun BDCJS18)

Dette verktøyet inkluderer noen av eller alle de følgende funksjonene.

8. Batteri
9. Batterilader

Montering

Advarsel! Før montering skal du fjerne batteriet fra verktøyet og sørge for at sagbladet har stoppet. Brukte sagblader kan være varme.

Montering og fjerning av et sagblad (fig. B)

- ◆ Hold sagbladet (11) med tennene vendt forover.
- ◆ Løft sagbladets låsespak (3) oppover.
- ◆ Før skaffet på bladet helt inn i bladklemmen (4) så langt det er mulig.
- ◆ Slipp spaken.
- ◆ Løft sagbladets låsespak (3) oppover og trekk bladet ut for å fjerne sagbladet (11).

Festning og demontering av batteriet (fig. C)

- ◆ Innrett batteriet (8) med stikkkontakten på verktøyet for å feste det. Skyv batteriet inn i stikkkontakten og press til batteriet klikker på plass.
- ◆ Trykk på utløserknappen (12) samtidig som du trekket batteriet ut av stikkkontakten for å fjerne batteriet.

Bruk

Advarsel! La verktøyet arbeide i sin egen fart. Ikke overbelast det.

Advarsel! Du må aldri bruke verktøyet når sageskoen er løs eller fjernet.

Lading av batteriet (fig. A)

Batteriet må lades før førstegangsbruk og hver gang det ikke klarer å produsere tilstrekkelig strøm til oppgaver som tidligere gikk enkelt og greit. Batteriet kan bli varmt under lading. Dette er normalt og ikke en indikasjon på at noe er galt.

Advarsel! Ikke lad batteriet ved romtemperaturer under 10 °C eller over 40 °C. Anbefalt ladingstemperatur: ca. 24 °C.

Merk: Laderen vil ikke lade et batteri dersom celledemperaturen er under 10 °C eller over 40 °C. Batteriet skal legges i laderen og laderen vil begynne å lade automatisk, når celledemperaturen blir varmere eller kaldere.

- ◆ Plasser batteriet (8) i laderen (9) for å lade det. Batteriet kan bare plasseres i laderen på én måte. Ikke bruk kraft. Sørg for at batteriet sitter helt på plass i laderen.
- ◆ Koble til laderen og slå strømmen på. Ladingsindikatoren vil blinke. Ladingen er fullført når ladingsindikatoren bytter til vedvarende på.
- ◆ Laderen og batteriet kan være tilkoblet på ubestemt tid.
- ◆ Lad utladede batterier innen en uke. Batteriets levetid vil bli betydelig kortere hvis batteriet oppbevares i utladet tilstand.

La batteriet være i laderen

Laderen og batteripakken kan være tilkoblet med LED-en lysende på ubestemt tid. Laderen vil holde batteripakken som ny og fullt oppladet.

Laderdiagnoser

Dersom laderen oppdager et svakt eller skadet batteri, vil ladingsindikatoren blinke rødt svært hurtig. Gjør følgende:

- ◆ Sett batteriet (8) inn på nytt.
- ◆ Dersom ladingsindikatoren fortsetter å blinke rødt svært hurtig, skal du bruke et annet batteri til å avgjøre om ladingsprosessen fungerer korrekt.
- ◆ Dersom det utskiftede batteriet fungerer korrekt betyr det at originalbatteriet er defekt og skal returneres til et servicesenter for resirkulering.
- ◆ Dersom det nye batteriet gir samme indikasjon som originalbatteriet, tar du laderen med for å få det testet på et autorisert servicesenter.

Merk: Det kan ta så mye som 30 minutter for å fastslå at batteriet er defekt. Dersom batteriet er for varmt eller for kaldt, vil LED-en blinke rødt vekselvis raskt og sakte, ett blink i hver hastighet og om igjen.

Slå på og av (fig. D og E)

- ◆ For å slå på, skyv låsebryteren (2) mot venstre og deretter dra og hold avtrekksbryteren for variabel hastighet (1).
- ◆ Slipp avtrekksbryteren (1) for å slå av.

Advarsel! Ikke slå verktøyet på eller av under belastning.
Advarsel! Skyv alltid låsebryteren (2) mot høyre til låst posisjon når verktøyet ikke er i bruk.

Variabel hastighetskontroll

Av/på-bryteren for variabel hastighet tilbyr et utvalg av hastigheter for sterkt forbedrede skjærehastigheter i ulike materialer.

- ◆ Hastigheten bestemmes av hvor mye avtrekksbryteren (1) blir trukket.

Skråsaging (fig. F, G og H)

Skoplaten kan innstilles til venstre eller høyre skråvinkel på 22,5° eller 45°.

Slik stiller man inn en skråvinkel:

- ◆ Løsne skoens festebolt (13) med unbrakonøkkelen (14) som medfølger for å låse opp skoplaten (6).
- ◆ Skyv skoplaten (6) fremover for å frigjøre den fra sperren på 0°.
- ◆ Roter skoplaten til ønsket skråvinkel (fig. G).
- ◆ Skyv skoplaten bakover for å aktivere venstre eller høyre sperre.
- ◆ Stram skoens festebolt (13) med unbrakonøkkelen (14) for å låse skoplaten (6) i den nødvendige posisjonen.

Merk: Skoen kan skråstilles til venstre eller høyre og har sperrer på 22,5° og 45°.

Skjærehandling (fig. I)

Denne stikksagen er utstyrt med tre skjærebevegelser, to pendelbevegelser og en rett. Pendelbevegelsen har en mer aggressiv bladbevegelse og er designet for å skjære i myke materialer som treverk eller plast. Pendelbevegelsen skjærer raskere, men med mindre jevnhet på tvers av materialet. Under pendelbevegelse beveger bladet seg fremover under skjæring i tillegg til opp- og ned-bevegelsen.

Advarsel! Metall og hardvæd skal aldri skjæres i pendelbevegelse.

- ◆ Skyv sageknappen (7) mellom de tre skjæreposisjonene: 0, 1 og 2.
- ◆ Posisjon 0 er til rett skjæring.
- ◆ Posisjoner 1 og 2 er skjæring med pendelbevegelse.
- ◆ Skjærestyrken øker ettersom spaken justeres fra en til to og innstilling to er den kraftigste.

Saging

- ◆ Hold alltid verktøyet med begge hender.
- ◆ La bladet kjøre fritt i noen sekunder før du begynner å sage.
- ◆ Påfør lett trykk på verktøyet mens du sager.
- ◆ Arbeid om mulig med skoplaten (6), trykkende mot arbeidsstykket. Dette vil forbedre verktøykontrollen og

redusere verktøyvibrasjonene, i tillegg til å forhindre at bladet blir skadet.

Tips for optimal bruk

Generelt

- ◆ Bruk en høy hastighet for tre, en medium hastighet for aluminium og PVC, og en lav hastighet for andre metaller enn aluminium.

Saging av laminater

Når sagbladet skjærer på det oppadgående slaget kan det oppstå oppfising på overflaten nærmest skoplaten.

- ◆ Bruk et sagblad med fine tenner.
- ◆ Sag fra den bakre overflaten av arbeidsstykket.
- ◆ Klem et stykke avfallstre eller trefiberplate fast på begge sider av arbeidsstykket og sag gjennom denne «sandwichen».

Saging av metall

Vær oppmerksom på at saging av metall tar mye lengre tid enn saging av tre.

- ◆ Bruk et sagblad som er egnet for saging av metall. Bruk et sagblad med fine tenner for jernholdige metaller og et grovere sagblad for ikke-jernholdige materialer.
- ◆ Når du skjærer tynt platemetall, klemmer du et stykke avfallstre fast mot den bakre overflaten av arbeidsstykket og skjærer gjennom denne «sandwichen».
- ◆ Smør et lag olje langs den tiltenkte skjærelinjen.

Tilbehør

Ytelsen til verktøyet avhenger av tilbehøret som benyttes. BLACK+DECKER-tilbehørene er konstruert til høye kvalitetsstandarder og utformet for å øke ytelsen til verktøyet. Ved å bruke dette tilbehøret får du mest mulig ut av verktøyet. Dette verktøyet passer for sagblader med både U-skaft- og T-skaft.

Vedlikehold

Verktøyet ditt er utviklet for å brukes over lang tid med minimalt vedlikehold. For at den skal fungere tilfredsstillende over tid, er det viktig å sørge for riktig stell av verktøyet og regelmessig renhold.

Advarsel! Slå av og koble fra verktøyet før utføring av enhver type vedlikehold.

- ◆ Rengjør ventileringssporene i verktøyet og laderen med jevne mellomrom med en myk børste eller tørr klut.
- ◆ Rengjør motorhuset jevnlig med en fuktig klut. Ikke bruk noe slipemiddel eller rengjøringsmiddel som er basert på løsemidler.
- ◆ Påfør en dråpe olje på akselen på bladstøtterullen (5) med jevne mellomrom.

Miljø



Separat avfallshåndtering. Produkter og batterier merket med dette symbolet skal ikke kastes i vanlig husholdningsavfall.

Produkter og batterier inneholder materialer som kan gjenbrukes eller gjenvinnes for å redusere behovet for nye råmaterialer.

Vennligst lever elektrisk utstyr og batterier til gjenbruk i henhold til lokale regler. Mer informasjon finner du på www.2helpU.com

Tekniske data

BDCJS18 H1		
Spenning	V _{de}	18
Ubelastet hastighet	min ⁻¹	0-2500
Slaglengde	mm	19

Maksimal skjæredybde:		
Tre	mm	55
Stål	mm	8
Aluminium	mm	20
Vekt	Kg	1.87

Lader		905902**/ N4940**	905998**/ 906349**
Inngangsspenning	V _{AC}	100-240	220-240
Utgangsspenning	V _{DC}	8-20	8-20
Strøm	mA	400	1000
Omtrent ladetid	Timer	3-11	1.5-5

Batteri		BL2018*	BL2518*	BL1518*	BL4018
Spenning	V _{DC}	18	18	18	18
Kapasitet	Ah	2.0	2.5	1.5	4.0
Type		Li-Ion	Li-Ion	Li-Ion	Li-Ion

Lydtryknivå i henhold til EN60745:	
L _{PA} (lydtrykk)	84,5 dB(A), usikkerhet (K) 3 dB(A)
L _{WA} (lydkraft)	95,5 dB(A), usikkerhet (K) 3 dB(A)

Totalverdier vibrasjon (triax vector sum) i henhold til EN 60745:	
Skjæring i plater (a _{h,B})	6 m/s ² , usikkerhet (K) 1,5 m/s ²
Skjæring i platemetall (a _{h,M})	4,3 m/s ² , usikkerhet (K) 1,5 m/s ²

EC samsvarserklæring

MASKINERIDIREKTIV



Trådløs stikksag – BDCJS18

Black & Decker erklærer at de produktene som er beskrevet under «tekniske data» er i samsvar med: EN 60745-1:2009+A11:2010, EN60745-2-11:2010

Disse produktene er også i samsvar med direktiv 2006/42/EC, 2014/30/EU og 2011/65/EU.

Hvis du ønsker mer informasjon, kan du kontakte Black & Decker på adressen nedenfor eller se baksiden av bruksanvisningen.

Undertegnede er ansvarlig for utarbeidelsen av den tekniske dokumentasjonen og gir denne erklæringen på vegne av Black & Decker.

R. Laverick
Director of Engineering
Black & Decker Europe, 210 Bath Road, Slough,
Berkshire, SL1 3YD
Storbritannia
19/10/2018

Garanti

Black & Decker er trygg på kvaliteten av produktene sine og tilbyr en 24 måneders garanti fra kjøpsdato. Denne garantierklæringen kommer i tillegg til dine lovbestemte rettigheter og er ikke i konflikt med disse. Garantien er gyldig innen områdene tilhørende medlemslandene i den Europeiske Union (EU) og det Europeiske Frihandelsområdet (EFTA).

For å ta garantien i bruk må kravet være i samsvar med kjøpsbetingelsene fra Black&Decker og du må vise kjøpskvittering til forhandleren eller til et autorisert serviceverksted. Betingelsene for Black & Deckers 2 års garanti og adressen til din nærmeste autoriserte serviceverksted kan du finne på internett under www.2helpU.com, eller ved å kontakte ditt lokale Black & Decker kontor, adressen er angitt i denne bruksanvisningen.

Besøk våre nettsider på www.blackanddecker.no for å registrere ditt nye Black & Decker-produkt og for å få informasjon om nye produkter og spesialtilbud.

Tilsigtet brug

Din BLACK+DECKER™ BDCJS18 stiksav er designet til at save i træ, plastik og bladmetal. Værktøjet er kun beregnet til privat brug.

Sikkerhedsinstruktioner

Generelle sikkerhedsadvarsler for el-værktøjer



Advarsel! Læs alle sikkerhedsadvarsler og alle instruktioner. Manglende overholdelse af advarsler og instruktioner kan medføre elektrisk stød, brand og/eller alvorlig personskade.

Gem alle advarsler og instruktioner for fremtidig reference. Termen "el-værktøj" i advarslerne refererer til dit elektroniske (ledning) eller batteridrevne (trådløse) el-værktøj.

1. Sikkerhed i arbejdsområdet

- Hold arbejdsområdet rent og oplyst.** Rod eller mørke lokaler forøger risikoen for ulykker.
- Undlad at benytte el-værktøj i en eksplosionsfarlig atmosfære, som f.eks. ved tilstedeværelsen af brændbare væsker, gasser eller støv.** Elværktøj danner gnister, der kan antænde støv eller dampe.
- Hold børn og omkringstående på afstand, når der anvendes el-værktøj.** Distraktioner kan medføre, at du mister kontrollen.

2. El-sikkerhed

- Stik på el-værktøj skal passe til stikkontakten. Stikket må aldrig modificeres på nogen måde. Undlad at bruge adapterstik sammen med jordforbundet elektrisk værktøj.** Umodificerede stik og dertil passende stikkontakter reducerer risikoen for elektrisk stød.
- Undgå kropskontakt med jordforbundne overflader, såsom rør, radiatorer, komfurer og køleskabe.** Der er øget risiko for elektrisk stød, hvis din krop er jordforbundet.
- Undlad at udsætte el-værktøj for regn eller våde forhold.** Hvis der trænger vand ind i et elektrisk værktøj, øges risikoen for elektrisk stød.
- Undlad at udsætte ledningen for overlast. Brug aldrig ledningen til at bære, trække værktøjet eller trække det ud af stikkontakten. Hold ledningen borte fra varme, olie, skarpe kanter og bevægelige dele.** Beskadigede eller sammenfildrede ledninger øger risikoen for elektrisk stød.
- Når el-værktøj benyttes udendørs, skal der anvendes en forlængerledning, som er egnet til udendørs brug.** Brug af en ledning, der er egnet til udendørs brug, reducerer risikoen for elektrisk stød.

- Hvis det ikke kan undgås at betjene et el-værktøj i et fugtigt område, benyt en strømforsyning, der er beskyttet af en fejlstrømsafbryder.** Ved at benytte en fejlstrømsafbryder reduceres risikoen for elektrisk stød.

3. Personlig sikkerhed

- Vær opmærksom, pas på hvad du foretager dig, og brug sund fornuft, når du benytter et el-værktøj.** Betjen ikke værktøjet, hvis du er træt, påvirket af narkotika, alkohol eller medicin. Et øjebliklig uopmærksomhed under anvendelse af et elektrisk værktøj kan forårsage alvorlig personskade.
 - Anvend personligt beskyttelsesudstyr. Bær altid beskyttelsesbriller.** Sikkerhedsudstyr, som fx støvmaske, skridsikre sikkerhedssko, sikkerhedshjelm eller høreværn, brugt når omstændighederne foreskriver det, reducerer omfanget af personskader.
 - Undgå utilsigtet start. Sørg for, at der er slukket for kontakten, inden værktøjet tilsluttes en strømkilde og/eller batterienhed, samles op eller bæres.** Når elektrisk værktøj bæres med fingeren på kontakten eller tilsluttes, når kontakten er tændt, giver det anledning til ulykker.
 - Fjern eventuelle justerings- eller skruenøgler, før el-værktøjet startes.** En skruenøgle eller anden nøgle, der bliver siddende på en roterende del af elektrisk værktøj, kan give anledning til personskade
 - Undlad at række for langt. Hold hele tiden en god fodstilling og balance.** Dette giver bedre kontrol af det elektriske værktøj, når uventede situationer opstår.
 - Bær hensigtsmæssig påklædning. Bær ikke løst tøj eller smykker.** Hold dit hår, tøj og handsker væk fra bevægelige dele. Løstsiddende tøj, smykker eller langt hår kan blive fanget i bevægelige dele.
 - Hvis der anvendes støvudsugnings eller støvopsamlingsudstyr, skal dette tilsluttes og anvendes rigtigt.** Anvendelse af støvopsamlingsudstyr kan begrænse farer forårsaget af støv.
- Brug og vedligeholdelse af el-værktøj**
 - Undlad at bruge magt over for det elektriske værktøj. Brug det værktøj, der er bedst egnet til det arbejde, der skal udføres.** Værktøjet vil klare opgaven bedre og mere sikkert med den ydelse, som det er beregnet til.
 - Undlad at benytte el-værktøj, hvis kontakten ikke tænder og slukker for det.** Alt elektrisk værktøj, der ikke kan kontrolleres med kontakten, er farligt og skal repareres.
 - Træk stikket ud af stikkontakten og/eller batterienheden fra det elektriske værktøj, før el-værktøjet justeres, dets tilbehør udskiftes, eller det stilles til opbevaring.** Sådanne forebyggende sikkerhedsforanstaltninger mindsker risikoen for, at værktøjet startes utilsigtet.

- Opbevar el-værktøj utilgængeligt for børn, og tillad ikke personer, som ikke er bekendt med dette el-værktøj eller disse instruktioner, at betjene el-værktøjet.** El-værktøj er farligt i hænderne på personer, som ikke er instrueret i brugen deraf.
 - Vedligeholdelse af el-værktøj. Undersøg om bevægelige dele sidder skævt, binder eller er gået itu såvel som andre forhold, der kan påvirke betjeningen af værktøjet.** Hvis det elektriske værktøj er beskadiget, skal det repareres før brug. Mange ulykker er forårsaget af dårligt vedligeholdt værktøj.
 - Hold skæreværktøj skarpe og rene.** Ordentligt vedligeholdt skæreværktøj med skarpe skærekanter har mindre tilbøjelighed til at binde og er lettere at styre.
 - Brug el-værktøj, tilbehør, bor, osv. i overensstemmelse med disse instruktioner, idet der tages hensyn til arbejdsforholdene og den opgave, som skal udføres.** Brug af elektrisk værktøj til andre opgaver end dem, det er beregnet til, kan resultere i en farlig situation.
- Brug og pleje af batteriværktøj**
 - Genoplad kun værktøjet ved brug af den oplader, der er angivet af producenten.** En oplader, der passer til en type batteripakke, kan udgøre en risiko for brand, når den bruges til en anden type.
 - Brug kun værktøjer med specielt designede batteripakker.** Brug af andre batteripakker kan give risiko for skader og brand.
 - Når batteripakken ikke er i brug, hold den på afstand af andre metalgenstande som f.eks. papirclips, mønter, nøgler, søm, skruer eller andre små metalgenstande, som kan frembringe en kortslutning fra en pol til en anden.** Kortslutning af batteriets poler kan medføre forbrændinger eller brand.
 - Under grove forhold kan væske sive ud fra batteriet; undgå kontakt. Hvis der opstår kontakt ved et uheld, skyl med vand. Hvis væske kommer ind i øjnene, søg omgående lægehjælp.** Væske, der siver ud fra batteriet, kan fremkalde irritationer eller forbrændinger.

6. Service

- El-værktøj skal serviceres af en kvalificeret servicetekniker, som udelukkende benytter identiske reservedele.** Derved sikres det, at værktøjets driftssikkerhed opretholdes.

Yderligere sikkerhedsadvarsler for værktøjet



Advarsel! Yderligere sikkerhedsadvarsler for stiksav og bloksave

- ◆ **Hold kun fast i det elektriske værktøj på de isolerede håndtagsflader under udførelse af arbejdet, hvor skæreværktøjet kan berøre skjulte ledninger.**

Kommer skæreværktøjet i kontakt med en strømførende ledning, kan blotlagte metaldele på el-værktøjet gøres strømførende og give stød til brugeren.

◆ Brug klemmer eller en anden praktisk måde på at sikre og understøtte arbejdsområdet til et stabilt underlag.

Hvis du holder fast i arbejdsområdet med din hånd eller krop, vil det være ustabil, og det kan medføre, at du mister kontrollen over det.

◆ **Hold hænderne væk fra fræseområdet.** Ræk aldrig ind under arbejdsområdet. Sæt aldrig fingre eller tommelfinger i nærheden af bloksavens kling og klingeholder. Stabilisér ikke saven ved at holde fast i skoen.

◆ **Hold klingerne skarpe.** Sløve klinger kan få saven til at dreje til siden eller gå i stå under tryk. Brug altid den rette type kling til det relevante arbejdsmateriale og den relevante type udskæring.

◆ **Når der skæres i rør eller kanaler, så sørg for, at de er fri for vand, elektriske ledninger etc.**

◆ **Rør ikke ved arbejdsområdet eller klingens umiddelbart efter, du har brugt værktøjet.** De kan blive meget varme.

◆ **Vær opmærksom på skjulte farer, før du skærer ind i vægge, gulve eller lofter, tjek for ledningers og rørs placering.**

◆ **Klingen vil fortsætte med at bevæge sig, efter knappen frigives.** Sluk altid for værktøjet, og vent til klingens stopper fuldstændigt, før du sætter værktøjet ned.

Advarsel! Kontakt med eller indånding af støv, som opstår fra anvendelse, kan forringe operatørens og omkringståendes helbred. Bær en støvmaske, der er specielt designet til beskyttelse imod giftigt støv og dampe og kontrollér, at personer, som opholder sig i eller kommer ind i arbejdsområdet, også er beskyttede.

- ◆ Den tilsigtede anvendelse er beskrevet i denne betjeningsvejledning.
- ◆ Hvis der udføres andre opgaver end dem, der anbefales i denne betjeningsvejledning med dette værktøj eller tilbehør eller udstyr, kan det medføre risiko for personskade og/eller materiel skade.

Andres sikkerhed

- ◆ Dette værktøj er ikke beregnet til anvendelse af personer (inklusive børn) med nedsatte fysiske, sensoriske eller mentale evner eller med manglende erfaring eller viden, medmindre de holdes under opsyn eller har fået instruktioner i brugen af værktøjet af en person, der er ansvarlig for deres sikkerhed.
- ◆ Børn skal overvåges for at sikre, at de ikke leger med udstyret.

Restrisici

Yderligere risici, som ikke er inkluderet i de medfølgende sikkerhedsadvarsler, kan opstå ved brug af værktøjet. Disse

risici kan opstå ved forkert brug, forlænget brug etc.

På trods af overholdelsen af de relevante sikkerhedsregler og brug af sikkerhedsudstyr kan visse yderligere risici ikke undgås. Disse omfatter:

- ◆ Skader som følge af berøring af roterende dele.
- ◆ Skader som følge af ændring af dele, klinger eller tilbehør.
- ◆ Skader som følge af forlænget brug af værktøjet. Ved forlænget brug af ethvert værktøj skal du sørge for at holde regelmæssige pauser.
- ◆ Hørenedsættelse.
- ◆ Helbredsfarer forårsaget af indånding af støv under brug af dit værktøj (eksempel: Arbejde med træ, særligt eg, bøg og MDF).

Vibration

De erklærede vibrations-emissionsværdier opført i de tekniske data og i overensstemmelseserklæringen er blevet målt i overensstemmelse med en standard testmetode leveret af EN 60745 og kan bruges til at sammenligne et værktøj med et andet. Den erklærede vibrations-emissionsværdi kan også bruges i en indledende vurdering af eksponering.

Advarsel! Vibrations-emissionsværdien i løbet af brug af værktøjet kan være forskellig fra den erklærede værdi afhængig af de måder, hvorpå værktøjet bliver brugt. Vibrationsniveauet kan vokse over det opførte niveau.

Ved vurdering af vibrationseksponering for bestemmelse af sikkerhedsforholdsregler krævet af 2002/44/EC for at beskytte personer, der regelmæssigt benytter el-værktøj på arbejde, bør en vurdering af vibrationseksponering overveje de reelle forhold ved brug og måden hvorpå værktøjet bruges, inklusive overvejelse af alle dele i operationscyklus så som de tidspunkter hvor værktøjet slukkes, og når det kører tomgang så vel som den aktive tid.

Mærkatere på værktøjet

De følgende piktogrammer er sammen med datakoden vist på værktøjet:



Advarsel! Du bør læse betjeningsvejledningen for at reducere risikoen for personskader.

Yderligere sikkerhedsinstruktioner for batterier og opladere

Batterier

- ◆ Forsøg aldrig at åbne den af en eller anden grund.
- ◆ Udsæt ikke batteriet for vand.
- ◆ Opbevar ikke på steder, hvor temperaturer overstiger 40 °C.
- ◆ Oplad kun ved temperaturer mellem 10 °C og 40 °C.
- ◆ Oplad kun med den oplader, der følger med værktøjet.

- ◆ Når batterier bortskaffes, så følg instruktionerne i sektionen "Beskyttelse af miljøet".



Forsøg ikke at oplade beskadigede batterier.

Opladere

- ◆ Brug kun din BLACK+DECKER oplader til at oplade batteriet i det værktøj, som det blev leveret med. Andre batterityper kan eksplodere og forårsage personskader.
- ◆ Forsøg aldrig at oplade ikke-genopladelige batterier.
- ◆ Erstat defekte ledninger med det samme.
- ◆ Udsæt ikke opladeren for vand.
- ◆ Åben ikke opladeren.
- ◆ Undersøg ikke opladeren.



Opladeren er udelukkende beregnet til indendørs brug.



Læs instruktionshåndbogen før brug.

El-sikkerhed



Din oplader er dobbelt isoleret; derfor er ingen jordledning påkrævet. Kontrollér altid, at batteripakkens spænding svarer til spændingen på mærkepladen. Forsøg aldrig at erstatte opladerenheden med et regulært stik.

- ◆ Hvis forsyningsledningen er beskadiget, skal den erstattes af fabrikanten eller et autoriseret BLACK+DECKER servicecenter for at undgå fare.

Funktioner

De følgende symboler er sammen med datakoden vist på værktøjet:

1. Variabel hastighedsudløserkontakt
2. Startspærreknop
3. Savklinge låsegreb
4. Klingeholder
5. Klinge-støtterulle
6. Savsko
7. Skærehandlingsknop

fig. A (kun BDCJS18)

Dette værktøj inkluderer nogle af eller alle de følgende funktioner.

8. Batteri
9. Batterioplader

Samling

Advarsel! Før samling fjern batteriet fra værktøjet, og sørg for, at savklingen er stoppet. Brugte savklinger kan være varme.

På- og afmontering af en savklinge (fig. B)

- ◆ Hold savklingen (11) med tænderne vendt nedad.
- ◆ Løft savklingens låsegreb (3) opad.
- ◆ Indsæt klingens skaff helt i klingeholderen (4), så langt som den kan komme.
- ◆ Udløs grebet.
- ◆ For at fjerne savklingen (11), så løft savklingens låsegreb (3) opad, og træk klingens ud.

Tilpasning og fjernelse af batteriet (fig. C)

- ◆ For at tilpasse batteriet (8) skal du placere det på linje med beholderen på værktøjet. Før batteriet ind i beholderen, og tryk indtil batteriet klikker på plads.
- ◆ Tryk på frigivelsesknappen (12) for at fjerne batteriet, mens batteriet samtidigt trækkes ud af beholderen.

Brug

Advarsel! Lad værktøjet arbejde i dets eget tempo. Undlad at overbelaste.

Advarsel! Brug aldrig værktøjet, når savskoens er løs eller fjernet.

Opladning af batteriet (fig. A)

Batteriet har brug for at blive opladet før brug, og når det ikke producerer tilstrækkelig strøm til jobs, der før nemt var klart. Batteriet kan blive varmt, mens det opvarmer; dette er normalt og antyder ikke noget problem.

Advarsel! Oplad ikke batteriet ved temperaturer under 10 °C eller over 40 °C. Anbefalet opladningstemperatur: Ca. 24 °C.

Bemærk: Opladeren oplader ikke et batteri, hvis batteriets temperatur er under ca. 10 °C eller over 40 °C. Batteriet bør efterlades i opladeren, og opladeren vil begynde at oplade automatisk, når batteriet varmer op eller kører af.

- ◆ For at oplade batteriet (8), indsæt det i opladeren (9). Batteriet vil kun passe i opladeren på én måde. Anvend ikke tvang. Vær sikker på, at batteriet er helt indsat i opladeren.
- ◆ Sæt stikket i, og tænd for strømnettet. Opladningsindikatoren vil blinke. Opladningen er fuldstændig, når opladningsindikatoren skifter til kontinuerligt tændt.
- ◆ Opladeren og batteriet kan efterlades tilsluttet på ubestemt tid.
- ◆ Oplad afladte batterier indenfor 1 uge. Batteriets levetid vil forkortes, hvis det opbevares i en afladt tilstand.

Efterladelse af batteriet i opladeren

Opladeren og batteripakken kan efterlades tilsluttet med LED-lyset tændt på ubestemt tid. Opladeren vil holde batteripakken frisk og fuldt opladet.

Oplader diagnostik

Når opladeren påviser et svagt eller beskadiget batteri, vil opladningsindikatoren lyse rødt i hurtigt tempo. Fortsæt som følger:

- ◆ Genindsæt batteriet (8).
- ◆ Hvis opladningsindikatorerne fortsætter med at blinke rødt i et hurtigt tempo, så brug et andet batteri til at afgøre, om opladningsprocessen fungerer korrekt.
- ◆ Hvis det erstattede batteri oplader korrekt, er det originale batteri defekt og bør returneres til et servicecenter til genbrug.
- ◆ Hvis det nye batteri giver den samme indikation som det originale batteri, så få opladeren testet hos et autoriseret servicecenter.

Bemærk: Det kan tage op til 30 minutter at afgøre, om batteriet er defekt. Hvis batteriet er for varmt eller for koldt, vil LED-lyset skiftevis blinke rødt, langsomt og hurtigt, et blink ved hver hastighed og gentage.

Sådan tændes og slukkes (fig. D & E)

- ◆ For at tænde, før låseknappen (2) til venstre, dernæst træk og hold på den variable hastighedsudløserkontakt (1).
- ◆ For at slukke, frigiv udløserkontakten (1).

Advarsel! Tænd eller sluk ikke for værktøjet, når det er under belastning.

Advarsel! Før altid låseknappen (2) til højre til den låste position, når værktøjet ikke er i brug.

Variabel hastighedskontrol

Den variable hastigheds on/off-knap giver mulighed for at vælge hastigheder og således skabe store besparelser i tidsforbruget ved skæring i forskellige materialer.

- ◆ Hastigheden bestemmes ved hvor meget der trækkes i udløserkontakten (1).

Smigskæring (fig. F, G & H)

Savskoen kan indstilles til en venstre eller højre smigvinkel på 22,5 ° eller 45 °.

For at indstille smigvinklen:

- ◆ Løsn skoens fastholdelsesbolt (13) med den medfølgende unbrakonøgle (14) for at oplåse savskoen (6).
- ◆ Før savskoen (6) fremad for at frigive den fra låsepalen på 0 °.
- ◆ Drej savskoen rundt til den ønskede smigvinkel (fig. G).
- ◆ Før savskoen bagud for at aktivere den venstre eller højre låsepæl.
- ◆ Stram skoens fastholdelsesbolt (13) med den medfølgende unbrakonøgle (14) for at låse savskoen (6) til den ønskede position.

Bemærk: Skoen kan stilles i smig til venstre eller til højre og har låsepæler ved 22,5 ° og 45 °.

Skærehandling (fig. I)

Denne stiksav er udstyret med fire skærehandlinger, tre pendul og en lige. Pendulfunktionen har en mere aggressiv klingebævegelse og er designet til skæring i bløde materialer som fx træ eller plastik. Pendulfunktionen giver en hurtigere snit med et mindre blødt snit gennem materialet. I pendulfunktion flytter klingens fremad under skæreslaget udover op- og nedbævegelsen.

Advarsel! Metal eller hårdt træ må aldrig skæres i pendulfunktion.

- ◆ Bevæg skærehandlingsknappen (7) mellem de tre skærepositioner: 0, 1 og 2.
- ◆ Position 0 er lige skæring.
- ◆ Positionerne 1 og 2 er pendulskæring.
- ◆ Snittets aggressivitet stiger, når grebet justeres fra en til tre, hvor tre er det mest aggressive snit.

Savning

- ◆ Hold altid saven med begge hænder.
- ◆ Lad klingens køre frit i få sekunder før start på savning.
- ◆ Pres kun let ned på værktøjet under udskæringen.
- ◆ Hvis muligt arbejde med savskoen (6) trykket ind imod arbejdsområdet. Dette vil forbedre kontrollen over værktøjet og reducere værktøjsvibrationer, så vel som at forhindre at klingens bliver beskadiget.

Tips til optimal brug

Generelt

- ◆ Brug en høj hastighed til træ, en mellem hastighed til aluminium og PVC og en lav hastighed til andre metaller end aluminium.

Skæring af laminaer

Når savklingen skærer opad, kan splinter opstå på overfladen tættest på savskoen.

- ◆ Brug en fintandet savklinge.
- ◆ Sav fra materialets bagerste overflade.
- ◆ For at minimere opståelsen af splinter så fastklem et stykke resttræ eller fiberplade til begge sider af materialet, og sav igennem denne sandwich.

Metalsavning

Vær opmærksom på, at metalsavning tager meget længere tid end savning i træ.

- ◆ Brug en savklinge, der er egnet til metalsavning. Anvend en fintandet klinge til jernholdige metaller og en grovere klinge til ikke jernholdige materialer.
- ◆ Når der skæres i tynde metalplader, så fastklem en stykke resttræ til overfladen på materialets bagside, og skær igennem denne sandwich.
- ◆ Fordel en hinde af olie langs den beregnede skærelinje.

Tilbehør

Dit værktøjs ydeevne afhænger af det anvendte tilbehør. BLACK+DECKER tilbehør er skabt til høje kvalitetsstandarder og designet til at forøge dit værktøjs ydeevne. Ved at benytte dette tilbehør vil du få det allerbedste ud af dit værktøj. Dette værktøj er egnet både til U-skaft og T-skaft savklinger.

Vedligehold

Dit værktøj er designet til at arbejde i lang tid med et minimum af vedligeholdelse. Vedvarende tilfredstillende funktion er afhængig af, at værktøjet plejes korrekt og rengøres regelmæssigt.

Advarsel! Sluk værktøjet, og tag stikket ud før udførelse af vedligeholdelse.

- ◆ Rengør regelmæssigt ventilationsprækkerne i dit værktøj og din oplader ved brug af en blød børste eller tør klud.
- ◆ Rengør regelmæssigt motorhuset ved brug af en fugtig klud. Brug ikke et slibende rengøringsmiddel eller opløsningsmiddel.
- ◆ Påfør en gang i mellem en dråbe olie på klinge-støtterullen (5).

Miljøbeskyttelse



Særskilt indsamling. Produkter og batterier mærket med dette symbol må ikke bortskaffes sammen med normalt husholdningsaffald.

Produkter og batterier indeholder materialer, der kan genvindes eller genbruges og således reducere efterspørgslen efter råvarer.

Genbrug venligst elektriske produkter og batterier i henhold til lokale bestemmelser. Yderligere oplysninger findes på www.2helpU.com

Tekniske data

BDCJS18 H1		
Spænding	V _{dc}	18
Tomgangshastighed	min ⁻¹	0-2500
Slaglængde	mm	19
Maksimum skæredybde		
Træ	mm	55
stål	mm	8
Aluminium	mm	20
Vægt	Kg	1.87

Opladerr		905902**/N4940**	905998**/906349**
Ca. opladningstid	Hours	3-11	1.5-5
Batteri		BL2018*	BL2518* BL1518* BL4018
Spænding	V _{DC}	18	18 18 18
Kapacitet	Ah	2.0	2.5 1.5 4.0
Type		Li-Ion	Li-Ion Li-Ion Li-Ion

Opladerr		905902**/N4940**	905998**/906349**
Ca. opladningstid	Hours	3-11	1.5-5

Batteri		BL2018*	BL2518*	BL1518*	BL4018
Spænding	V _{DC}	18	18	18	18
Kapacitet	Ah	2.0	2.5	1.5	4.0
Type		Li-Ion	Li-Ion	Li-Ion	Li-Ion

Lydtrykniveau i henhold til EN60745:	
L _{pa} (lydtryk)	84,5 dB(A), usikkerhed (K) 3 dB(A)
L _{WA} (lydtryk)	95,5 dB(A), usikkerhed (K) 3 dB(A)

Samlet vibrationsværdi (triaxvektorsum) bestemt i henhold til EN 60745:	
Skærebæret (a _{hB})	6 m/s ² , usikkerhed (K) 1,5 m/s ²
Skære metalplader (a _{hM})	4,3 m/s ² , usikkerhed (K) 1,5 m/s ²

EF-overensstemmelseserklæring

MASKINDIREKTIV



Trådløs stiksav - BDCJS18

Black & Decker erklærer, at produkterne beskrevet under "tekniske data" er udformet i overensstemmelse med: EN60745-1:2009+A11:2010, EN60745-2-11:2010

Disse produkter er endvidere i overensstemmelse med direktiv 2006/42/EC, 2014/30/EU og 2011/65/EU.

Kontakt Black & Decker på nedenstående adresse eller se vejledningens bagside for at få flere oplysninger.

Undertegnede er ansvarlig for udarbejdelsen af de tekniske data og fremsætter denne erklæring på vegne af Black & Decker.

R. Laverick
Director of Engineering
Black & Decker Europe, 210 Bath Road, Slough,
Berkshire, SL1 3YD
Storbritannien
19/10/2018

Garanti

Black & Decker er sikker på kvaliteten af sine produkter og tilbyder forbrugerne en garanti på 24 måneder fra købsdatoen. Garantien er et tillæg til forbrugers lovmæssige rettigheder og påvirker ikke disse. Garantien er gyldig inden

for medlemsstaterne af Den Europæiske Union og Det Europæiske Frihandelsområde.

Når du gør krav på garantien, skal kravet være i overensstemmelse med Black & Decker vilkår og betingelser, og du skal indsende dokumentation for købet til sælgeren eller til en autoriseret reparatør. Vilkår og betingelser for Black & Decker 2 års garanti og placeringen af dit nærmeste autoriserede serviceværksted kan fås på internettet på www.2helpU.com, eller ved at kontakte dit lokale Black & Decker kontor på den adresse, der er angivet i denne vejledning.

Besøg venligst vores websted www.blackanddecker.co.uk for at registrere dit nye Black & Decker produkt og modtage opdateringer om nye produkter og specielle tilbud.

Käyttötarkoitus

Black & Decker™ BDCJS18 kuviosaha on tarkoitettu puun, muovien ja pellin sahaamiseen. Tämä työkalu on tarkoitettu vain yksityiskäyttöön.

Turvaohjeet

Sähkötyökalun yleiset turvallisuusvaroitukset



Varoitus! Lue kaikki turvallisuusvaroitukset ja ohjeet. Jos alla olevia varoituksia ja ohjeita ei noudateta, on olemassa sähköiskun, tulipalon ja/ tai vakavan henkilövahingon vaara.

Tallenna kaikki varoitukset ja ohjeet myöhempää tarvetta varten. Näissä varoituksissa termillä "sähkötyökalu" viitataan verkkovirtaan yhdistettävään (johdolliseen) työkaluun tai akkukäyttöiseen (johdottomaan) työkaluun.

1. Työalueen turvallisuus

- Pidä työalue puhtaana ja hyvin valaistuna.** Onnettomuuksia sattuu herkemmin epäsiistissä tai huonosti valaistussa ympäristössä.
- Älä käytä sähkötyökaluja, jos olemassa on räjähdysvaara esimerkiksi syttyvien nesteiden, kaasujen tai pölyn vuoksi.** Sähkötyökalujen aiheuttamat kipinät voivat sytyttää pölyn tai kaasut.

- Pidä lapset ja sivulliset kaukana käyttäessäsi sähkötyökalua.** Keskittymiskyvyn herpaantuminen voi aiheuttaa hallinnan menettämisen.

2. Sähköturvallisuus

- Sähkötyökalun pistokkeen ja pistorasian on vastattava toisiaan. Älä koskaan tee pistokkeeseen mitään muutoksia. Älä yhdistä maadoitettua sähkötyökalua jatkojohtoon.** Sähköiskun vaara vähenee, jos pistokkeisiin ei tehdä muutoksia ja ne yhdistetään vain niille tarkoitettuihin pistorasioihin.
- Älä kosketa maadoituksessa käytettäviin pintoihin, kuten putkiin, lämpöpattereihin, liesiin ja jäähdytyslaitteisiin.** Voit saada sähköiskun, jos kehosi on maadoitettu.
- Älä altista sähkötyökaluja sateelle tai kosteudelle.** Sähkötyökaluun menevä vesi lisää sähköiskun vaaraa.
- Älä vaurioita sähköjohtoa. Älä kannata työkaluja sähköjohdosta tai vedä pistoketta pistorasiasta sähköjohdon avulla. Pidä sähköjohto kaukana kuumuudesta, öljystä, terävistä reunoista tai liikkuvista osista.** Vaurioituneet tai sotkeutuneet johdot lisäävät sähköiskun vaaraa.
- Jos käytät sähkötyökalua ulkona, käytä vain ulkokäyttöön tarkoitettua jatkojohtoa.** Ulkokäyttöön tarkoitettu sähköjohdon käyttäminen vähentää sähköiskun vaaraa.
- Jos sähkötyökalua on käytettävä kosteassa paikassa, käytä vikavirtasuojaa.** Tämä vähentää sähköiskun vaaraa.

3. Henkilökohtainen turvallisuus

- Käyttäessäsi sähkötyökalua pysy valppaana, keskity työhön ja käytä tervettä järkeä. Älä käytä tätä työkalua ollessasi väsynyt tai alkoholin, huumeiden tai lääkkeiden vaikutuksen alaisena.** Keskittymisen herpaantuminen hetkeksikin sähkötyökalua käytettäessä voi aiheuttaa vakavan henkilövahingon.
- Käytä henkilösuojaimia. Käytä aina silmäsuojaimia.** Hengityssuojaimen, liukumattomien turvajalkineiden, kypärän ja kuulosuojaimen käyttäminen vähentää henkilövahinkojen vaaraa.
- Estä tahaton käynnistäminen. Varmista, että virtakytkin on off-asennossa, ennen kuin kytket sähkötyökalun pistorasiaan, yhdistät siihen akun, nostat työkalun käteesi tai kannat sitä.** Sähkötyökalun kantaminen sormi virtakytkimellä lisää onnettomuusvaaraa.
- Poista kaikki säätöavaimet tai vääntimet ennen sähkötyökalun käynnistämistä.** Sähkötyökalun pyöryään osaan jäänyt säätöavain tai väännin voi aiheuttaa henkilövahingon.

- Älä kurottele. Huolehdi siitä, että sinulla on koko ajan tukeva jalansija ja hyvä tasapaino.** Näin voit hallita sähkötyökalua paremmin odottamattomissa tilanteissa.
- Pukeudu oikein. Älä käytä löysiä vaatteita tai koruja. Pidä hiukset, vaatteet ja kädet loitolla liikkuvista osista.** Löysät vaatteet, korut tai pitkät hiukset voivat tarttua liikkuviin osiin.
- Jos käytettävissä on laitteita pölyn ottamiseksi talteen, käytä niitä.** Pölyn ottaminen talteen voi vähentää pölyn aiheuttamia vaaroja.
- Sähkötyökalun käyttö ja siitä huolehtiminen**
 - Älä kohdista sähkötyökaluun liikaa voimaa. Valitse käyttötarkoituksen kannalta oikea sähkötyökalu.** Sähkötyökalu toimii paremmin ja turvallisemmin, kun sitä käytetään sille suunniteltuun käyttötarkoitukseen.
 - Älä käytä työkalua, jos virtakytkin ei toimi.** Jos sähkötyökalua ei voi hallita kytkimen avulla, se on vaarallinen ja se on korjattava.
 - Katkaise sähkötyökalusta virta ja irrota sen pistoke pistorasiasta tai irrota akku siitä ennen säätämistä, varusteiden vaihtamista tai sähkötyökalun säilytykseen laittamista.** Näin voit vähentää vahingossa käynnistymisen aiheuttaman henkilövahingon vaaraa.
 - Varastoi sähkötyökaluja lasten ulottumattomissa. Älä anna sähkötyökaluihin tottumattomien tai näihin ohjeisiin perehtymättömien henkilöiden käyttää sähkötyökaluja.** Sähkötyökalut ovat vaarallisia kouluttamattomien käyttäjien käsissä.
 - Sähkötyökalujen kunnossapito. Tarkista liikkuvat osat, niiden kiinnitys, osien eheys ja muut toimintaan vaikuttavat tekijät. Jos havaitset vaurioita, korjauta sähkötyökalu ennen niiden käyttämistä.** Huonosti kunnossapidetyt sähkötyökalut aiheuttavat onnettomuuksia.
 - Pidä leikkaavat työkalut terävinä ja puhtaina.** Kunnossa pidettyjen leikkaavia teräviä reunoja sisältävien työkalut todennäköisyys jumiutua vähenee, ja niitä on helpompi hallita.
 - Käytä sähkötyökalua ja sen tarvikkeita, kuten poranteriä, näiden ohjeiden mukaisesti. Ota työskentelyolosuhteet ja tehtävä työ huomioon.** Jos sähkötyökalua käytetään näiden ohjeiden vastaisesti, voi syntyä vaaratilanne.

5. Akkutyökalun käyttö ja huolto

- Lataa vain valmistajan määrittämällä laturilla.** Laturi, joka on sopiva yhden tyyppiselle akulle, voi aiheuttaa tulipalon vaaran, jos sitä käytetään toisen tyyppisellä akulla.
- Käytä työkaluja vain erityisesti niille suunniteltujen akkuyksiköiden kanssa.** Muiden akkujen käyttö voi aiheuttaa loukkaantumisen ja tulipalon riskin.

- Kun akkuyksikkö ei ole käytössä, pidä se erillään muista metalliesineistä, kuten paperiliittimistä, kolikoista, avaimista, nauloista, ruuveista tai muista pienistä metalliesineistä, jotka voivat muodostaa kytkennän yhdestä kennon pinnestä toiseen.** Kennon pinteiden oikosulku voi aiheuttaa palovammoja tai tulipalon.
- Epäsuotuisissa olosuhteissa akusta saattaa ruiskuta ulos nestettä, johon koskemista on vältettävä. Jos nesteen kanssa joutuu kosketuksiin, huuhtelee vedellä. Jos nestettä joutuu silmiin, hakeudu lisäksi lääkärin hoitoon.** Akusta roiskunut neste saattaa aiheuttaa ärsytystä tai palovammoja.
- Huolto**
 - Korjauta työkalu valtuutetulla asentajalla. Varaosina on käytettävä vain alkuperäisiä vastaavia osia.** Näin taataan moottoriökalun turvallisuus.

Sähkötyökalun lisäturvallisuusvaroitukset



Varoitus! Kuviosahojen ja puukkosahojen lisäturvallisuusvaroitukset

- ◆ **Tartu kiinni koneen eristetyistä tartuntapinnoista, jos leikkausvälineitä käyttäessä on vaara osua piilossa oleviin johtoihin.** Leikkausvälineen terän osuminen jännitteeseen johtoon voi tehdä sen paljasta metalliosista jännitteisiä, joten käyttäjä saattaa saada sähköiskun.
- ◆ **Käytä puristimia tai muuta käytännöllistä tapaa kiinnittää ja tukea työkappale tukevalle alustalle.** Työn pitäminen käsin tai vartaloa vasten on epävakaata ja saattaa johtaa kontrollin menetykseen.
- ◆ **Pidä kädet poissa leikkausalueelta.** Älä koskaan kurottele työkappaleen alle mistään syystä. Älä laita sormia tai peukaloa edestakaisin liikkuva terän tai terän pidikkeen lähetyville. Älä tartu sahan kenkään sahan vakauttamiseksi.
- ◆ **Pidä terät terävinä.** Tylsät tai vaurioituneet terät voivat aiheuttaa sahan yllättävän kääntymisen tai sakkamisen paineen alla. Käytä aina työkappaleen materiaaliin ja tarvittavaan leikkaukseen sopivaa sahanterää.
- ◆ **Kun leikkaat putkea tai kanavaa, varmista, että niissä ei ole vettä, sähköjohtoja tms.**
- ◆ **Älä kosketa työkappaleeseen tai terään välittömästi työkalun käyttämisen jälkeen.** Ne voivat olla erittäin kuumia.
- ◆ **Ole tietoinen piilossa olevista riskitekijöistä, tarkista johtojen ja putkien sijainti etukäteen, kun leikkaat seinää, lattiaa tai sisäkattoja.**
- ◆ **Terä jatkaa liikkumista kytkimen vapauttamisen jälkeen.** Sammuta aina työkalu ja odota, että terä pysähtyy kokonaan ennen kuin lasket työkalun käsistäsi.

Varoitus! Leikkaamisesta syntyvän pölyn hengittäminen tai siihen koskeminen voi vaarantaa käyttäjän tai sivullisten terveyden. Pidä erityisesti myrkyllisiä pölyjä ja huuruja vastaan suunniteltua hengityssuojainta ja varmista, että työalueella työskentelevät ja työalueelle saapuvat ihmiset on myös suojattu.

- ◆ Tarkoitettu käyttö on kuvattu tässä käyttöohjeessa.
- ◆ Muun kuin tässä käyttöohjeessa suositellun laitteen tai lisätarvikkeen käyttö tämän sähkötyökalun kanssa tai työkalun käyttäminen muuhun kuin tässä käyttöohjeessa suositeltuun tarkoitukseen voi aiheuttaa henkilö- tai omaisuusvahingon vaaran.

Muiden turvallisuus

- ◆ Tämä laite ei ole tarkoitettu sellaisten henkilöiden (mukaan lukien lapset) käytettäväksi, joiden fyysiset, sensoriset tai henkiset kyvyt tai kokemus ja tietämys ovat rajalliset. Vastuullisen henkilön pitää huolehtia heidän turvallisuudestaan tai paikalla on oltava henkilö, joka neuvoo miten laitetta käytetään.
- ◆ Lapsia on valvottava ja on varmistettava etteivät he leiki laitteella.

Jäännösriskit

Työkalua käytettäessä voi ilmetä muitakin mahdollisia riskejä, joita ei näissä turvallisuusvaroituksissa ole mainittu. Riskien syynä voi olla väärinkäyttö, pitkittynyt käyttö jne. Turvamääräysten noudattamisesta ja turvalaitteiden käyttämisestä huolimatta tiettyjä vaaroja ei voida välttää. Näitä ovat:

- ◆ Työkalun pyöriäviin/liikkuvien osien koskettamisesta aiheutuvat vammat.
- ◆ Osien, terien tai lisätarvikkeiden vaihtamisesta aiheutuvat vammat.
- ◆ Sähkötyökalun pitkittyneestä käytöstä aiheutuvat vammat. Kun käytät työkalua pitkiä aikoja varmista, että pidät säännöllisiä taukoja.
- ◆ Kuulon heikkeneminen.
- ◆ Sähkötyökalun käytöstä syntyneiden pölyjen hengittämisestä aiheutuvat vammat (esimerkiksi puuta, erityisesti tammea, pyökkiä ja MDF-levyä työstettäessä).

Tärinä

Teknisissä tiedoissa ja yhdenmukaisuusilmoituksessa ilmoitetut tärinäarvot on mitattu EN 60745-standardin mukaisin testimenetelmin, ja arvoja voidaan käyttää vertailussa toisiin työkaluihin. Ilmoitettua tärinäarvoa voidaan käyttää myös alustavan altistusarvioinnin teossa.

Varoitus! Tärinäarvo työkalun käytön aikana voi poiketa ilmoitetusta arvoista työkalun käyttötavan perusteella. Tärinätaso voi nousta yli ilmoitetun tason.

Kun arvioidaan tärinäaltistusta direktiivin 2002/44/EY mukaisten turvatoimien määrittämiseksi henkilöille, jotka käyttävät työssään säännöllisesti sähkötyökaluja, on otettava huomioon työkalun varsinaiset käyttöolosuhteet ja työkalun käyttötapa, esimerkiksi kaikki käyttösyklin vaiheet, kuten ajat, jolloin työkalu on sammutettuna tai käy tyhjäkäynnillä, varsinaisen käyttöajan lisäksi.

Työkalun tarrat

Työkalussa on seuraavat kuvamerkit yhdessä päivämääräkoodin kanssa:



Varoitus! Loukkaantumisen riskin vähentämiseksi käyttäjän on luettava käyttöohje.

Lisäturvaohjeita akuille ja latureille

Akkua

- ◆ Älä koskaan yritä avata mistään syyssä.
- ◆ Älä altista akkua vedelle.
- ◆ Älä säilytä tilassa, jossa lämpötila voi ylittää 40 °C.
- ◆ Lataa vain, kun ympäristön lämpötila on 10–40 °C.
- ◆ Lataa vain työkalun mukana toimitetulla laturilla.
- ◆ Kun hävität akkuja, noudata osiossa "Ympäristönsuojelu" annettuja ohjeita.



Älä yritä ladata vaurioituneita akkuja.

Laturit

- ◆ Käytä Black & Decker -laturia lataamaan vain akkua, joka kuuluu sen mukana toimitettuun työkaluun. Muun tyyppiset akut voivat haljeta ja aiheuttaa henkilövahingon ja aineellista vahinkoa.
- ◆ Älä koskaan yritä ladata muita kuin ladattavia akkuja.
- ◆ Vaihda vialliset johdot välittömästi.
- ◆ Älä altista laturia vedelle.
- ◆ Älä avaa laturia.
- ◆ Älä työnnä laturiin mitään.



Laturi on tarkoitettu vain sisäkäyttöön.



Lue käyttöohjeet ennen käyttämistä.

Sähköturvallisuus



Laturisi on kaksoiseristetty; sen vuoksi maadoitusjohtoa ei tarvita. Tarkista aina, että verkkojännite vastaa tyyppikilpeen merkittyä jännitettä. Älä koskaan yritä korvata laturiyksikköä tavallisella verkkovirtapistokkeella.

- ◆ Jos syöttöjohto on vaurioitunut, se on vaihdettava valmistajalla tai valtuutetussa Black & Decker -huoltoilikkeessä vaarallisten tilanteiden välttämiseksi.

Ominaisuudet

Työkalussa on näkyvissä seuraavat symbolit yhdessä päivämääräkoodin kanssa:

1. Säädettävä nopeuden liipaisukytkin
2. Lukituksen vapautuspainike
3. Sahanterän lukitusvipu
4. Terän pidike
5. Terän kannatinrulla
6. Alustakenkä
7. Leikkaustoimintonappi

kuva A (vain BDCJS18)

Tämä työkalu sisältää seuraavat ominaisuudet tai osan niistä.

8. Akku
9. Akkulaturi

Asennus

Varoitus! Irrota ennen asennusta akku työkalusta ja varmista, että sahanterä on pysähtynyt. Käytetyt sahanterät voivat olla kuumia.

Sahanterän asentaminen ja poistaminen (kuva B)

- ◆ Pidä sahanterää (11) siten, että hampaat osoittavat eteenpäin.
- ◆ Nosta sahanterän lukitusvipua (3) ylöspäin.
- ◆ Työnnä sahanterän kanta kokonaan terän pidikkeen (4) sisään niin syväälle kuin se menee.
- ◆ Vapauta vipu.
- ◆ Irrota sahanterä (11) nostamalla terän lukitusvipua (3) ylöspäin ja vedä terä ulos.

Akun kiinnittäminen ja irrottaminen (kuva C)

- ◆ Kiinnitä akku (8) kohdistamalla se työkalussa olevan istukan kanssa. Liu'uta akku istukkaan ja työnnä, kunnes akku napsahtaa paikoilleen.
- ◆ Irrota akku painamalla vapautuspainiketta (12) ja vedä samalla akku ulos istukasta.

Käyttö

Varoitus! Anna työkalun työstää omalla tahdillaan. Älä ylikuormita.

Varoitus! Älä koskaan käytä työkaluja, jos sahan kenkä on löysällä tai irti.

Akun lataaminen (kuva A)

Akkua on ladattava ennen ensimmäistä käyttöä ja aina, kun se ei tuota tarpeeksi virtaa töihin, joiden tekeminen on onnistunut helposti aikaisemmin. Akku voi lämmetä lataamisen aikana; tämä on normaalia eikä se ole merkki ongelmista.

Varoitus! Älä lataa akkua, jos ympäristön lämpötila on alle 10°C tai yli 40°C. Suositeltu latauslämpötila: noin 24 °C.

Huomautus: Laturi ei lataa akkua, jos kennon lämpötila on alle 10 °C tai yli 40 °C. Akku on jätettävä tällöin laturiin,

ja laturi aloittaa lataamisen automaattisesti, kun kennon lämpötila nousee tai laskee oikealle tasolle.

- ◆ Lataa akku (8) työntämällä se laturiin (9). Akku sopii laturiin vain yhdellä tavalla. Älä pakota. Varmista, että akku on paikoillaan laturissa.
- ◆ Kytke laturi verkkovirtaan ja laita päälle. Latausvalo alkaa vilkkua. Lataus on suoritettu loppuun, kun valo palaa vilkkumatta.
- ◆ Akku ja laturi voidaan jättää yhteen.
- ◆ Lataa tyhjentyneet akut 1 viikon sisällä. Akun käyttöaika lyhenee huomattavasti, jos sitä säilytetään tyhjentyneenä.

Akun jättäminen laturiin

Akkuyksikkö voi olla laturissa ja LED-valo saa palaa vaikka kuinka kauan. Laturi pitää akun tuoreena ja täyteen ladattuna.

Laturin vianetsintä

Jos laturiin kiinnitetään heikko tai viallinen akku, latausvalo vilkkuu punaisena erittäin nopeasti. Toimi seuraavasti:

- ◆ Irrota akku (8) ja laita se uudelleen laturiin.
- ◆ Jos laturin merkivalo vilkkuu yhä nopeasti punaisena, kokeile toista akkua selvittääksesi, toimiiko latausprosessi kunnolla.
- ◆ Jos toinen akku latautuu oikein, alkuperäinen akku on viallinen ja se on palautettava huoltoon kierrättämistä varten.
- ◆ Jos uusikin akku saa valon vilkkumaan samalla tavalla, vie laturi testattavaksi valtuutettuun huoltoon.

Huomautus: Akun viallisuuden määrittäminen voi kestää jopa 30 minuuttia. Jos akku on liian kuuma tai kylmä, LED-valo vilkkuu punaisena vaihdellen nopean ja hitaan välillä.

Kytkeminen päälle ja pois päältä (kuvat D & E)

- ◆ Kytke työkalu päälle liu'uttamalla lukituskytkintä (2) vasemmalle ja sitten vetämällä ja pitämällä säädettävää nopeuden liipaisukytkintä (1) pohjassa.
- ◆ Sammuta vapauttamalla liipaisukytkin (1).

Varoitus! Älä käynnistä tai sammuta työkalua, kun se on kuormitettuna.

Varoitus! Liu'uta aina lukituskytkin (2) oikealle lukkoasentoon, kun työkalua ei käytetä.

Säädettävä nopeudensäädin

Säädettävä nopeuden on-/off-kytkin tarjoaa nopeudensäädön, jotta erilaisille materiaaleille saataisiin paras mahdollinen leikkauksenopeus.

- ◆ Nopeutta säädetään liipaisukytkimen (1) painamisen voimakkuudella.

Reunan viistoaminen (kuvat F, G & H)

Alustakenkä voidaan asettaa oikealle tai vasemmalle 22,5°:een tai 45°:een kulmaan.

Aseta kulma:

- ◆ Löysää kengän kiinnityspulttia (13) työkalun mukana toimitetulla kuusiokoloavaimella (14) alustakengän (6) irrottamiseksi.
- ◆ Liu'uta alustakengää (6) eteenpäin, jotta se vapautuisi O-kulman pidikkeestä.
- ◆ Käännä alustakengää haluttuun kulmaan (kuva G)
- ◆ Liu'uta alustakengää taaksepäin, jotta se kiinnittyisi oikeaan tai vasempaan pidikkeeseen.
- ◆ Kiristä kengän kiinnityspultti (13) kuusiokoloavaimella (14), jotta alustakengä (6) lukittuisi paikoilleen oikeaan asentoon.

Huomautus: Kenkä voidaan kallistaa vasemmalle tai oikealle, ja sen lukituskohdat ovat 22,5° ja 45°.

Leikkaustoiminta (kuva I)

Tässä kuviosahassa on kolme leikkaustoimintaa, kaksi kiertävää ja yksi suora.

Kiertoleikkauksessa on voimakkaampi terän liike ja se on tarkoitettu pehmeiden materiaalien, kuten puun tai muovin, leikkaamiseen. Kiertotoiminto leikkaa nopeammin, mutta leikkaustulos ei ole yhtä tasainen. Kiertotoiminnossa terä liikkuu eteenpäin leikkaussykäyksen aikana ylä- ja alaliikkeen lisäksi.

Varoitus! Metallia tai kovaa puuta ei saa koskaan leikata kiertotoiminnolla.

- ◆ Liu'uta leikkaustoimintonappia (7) kolmen leikkausasennon välillä: 0, 1 ja 2.
- ◆ Asento 0 on suora leikkaus.
- ◆ Asennot 1 ja 2 ovat kiertotoimintoja.
- ◆ Leikkauksen voimakkuus lisääntyy, kun vipua säädetään yhdestä kahteen. Asento 2 on voimakkain leikkaus.

Sahaaminen

- ◆ Pidä sahasta aina kiinni molemmilla käsillä.
- ◆ Anna terän pyöriä vapaasti muutaman sekunnin ajan ennen leikkaamisen aloittamista.
- ◆ Käytä vain vähäistä voimaa työkaluun leikatessa.
- ◆ Työskentele, jos mahdollista, alustakengä (6) painettuna työkappaleita vasten. Tämän ansiosta työkalun hallinta on helpompaa ja tärinä vähenee. Lisäksi se ehkäisee sahanterän vaurioitumista.

Käyttövinkkejä**Yleistä**

- ◆ Käytä suurempaa nopeutta puulle, keskinopeutta alumiinille ja PVC:lle ja hidasta nopeutta muille metalleille.

Laminaattien sahaaminen

Koska sahanterä leikkaa ylöspäin mennessään, säilyvä voi tapahtua alustakengää lähinnä olevassa pinnassa.

- ◆ Käytä hienohampaista sahanterää.
- ◆ Sahaä työkappaleen takapuolelta.
- ◆ Säilytys minimoimiseksi kiinnitä puunpalanen tai puulevy työkappaleen molemmille puolille ja sahaa niiden läpi.

Metallin sahaaminen

Metallien sahaamiseen kuluu paljon enemmän aikaa kuin puun sahaamiseen.

- ◆ Käytä metallin sahaamiseen soveltuvaa sahanterää. Käytä hienohampaista terää rautapitoisten metallien sahaamiseen ja karkeampaa terää muiden kuin rautapitoisten materiaalien sahaamiseen.
- ◆ Kun leikkaat ohutta peltiä, kiinnitä puunpalanen työkappaleen takapuolelle ja leikkaa molempien läpi.
- ◆ Levitä kerros öljyä aiottua leikkauslinjaa pitkin.

Lisävarusteet

Työkalusi toiminta riippuu käytetystä lisätarvikkeista. Black & Decker -lisätarvikkeet täyttävät korkeat laatuvaatimukset, ja ne on suunniteltu parantamaan työkalusi suoritusta. Käyttämällä näitä lisätarvikkeita saat työkalustasi irti parhaan mahdollisen tuloksen.

Tämä työkalu sopii sekä U- että T-kantaisille terille.

Huolto

Työkalu on suunniteltu käytettäväksi pitkään ja edellyttämään vain vähän kunnossapitoa. Oikea käsittely ja säännöllinen puhdistus varmistavat laitteen ongelmattoman toiminnan.

Varoitus! Sammuta työkalu ja irrota virtalähteestä ennen minkään huoltotoimenpiteen tekemistä.

- ◆ Puhdista työkalun ilma-aukot säännöllisesti pehmeällä harjalla tai kuvalla liinalla.
- ◆ Puhdista moottorin kotelo säännöllisesti pyyhkimällä kostealla liinalla. Älä käytä hankaavia tai liuotinpohjaisia puhdistusaineita.
- ◆ Levitä silloin tällöin tippa öljyä terän kannatinrullan akseliin (5).

Ympäristönsuojelu

Toimita tämä laite erilliskeräykseen. Tällä symbolilla merkityjä tuotteita ja akkuja ei saa hävittää tavallisen kotitalousjätteen mukana.

Tuotteissa ja akuissa on materiaaleja, jotka voidaan ottaa talteen tai kierrättää uudelleen käyttöä varten.

Kierrätä sähkölaitteet ja akut paikallisten määräyksiensä mukaan. Lisätietoja on saatavilla osoitteessa www.2helpU.com.

Tekniset tiedot

BDCJS18 H1		
Jännite	V _{ac}	18
Kuormittamaton nopeus	min ⁻¹	0-2500
Iskun pituus	mm	19
Leikkauksen maksimisyyvyys:		
Puu	mm	55
Teräs	mm	8
Alumiini	mm	20
Paino	Kg	1.87

Latur		905902**/N4940**	905998**/906349**
Tulojännite	V _{AC}	100-240	220-240
Lähtöjännite	V _{DC}	8-20	8-20
Virta	mA	400	1000
Keskim. latausaika	Tuntia	3-11	1.5-5

Akku		BL2018*	BL2518*	BL1518*	BL4018
Jännite	V _{DC}	18	18	18	18
Teho	Ah	2.0	2.5	1.5	4.0
Tyyppi		Li-Ion	Li-Ion	Li-Ion	Li-Ion

Äänenpainetaso, määritetty EN 60745-standardin mukaan:	
L _{PA} (äänenpaine)	84,5 dB (A), epävarmuus (K) 3 dB(A)
L _{WA} (äänenvoimakkuus)	95,5 dB(A), epävarmuus (K) 3 dB(A)

Tärinän kokonaisarvot (kolmiakselivektorisumma) EN 60745 -standardin mukaisesti:	
Levyjen leikkaaminen (a _{n,B})	6 m/s ² , epävarmuus (K) 1,5 m/s ²
Pellin leikkaaminen (a _{n,M})	4,3 m/s ² , epävarmuus (K) 1,5 m/s ²

EU-yhdenmukaisuusilmoitus**KONEDIREKTIIVI**

Johdon kuviosaha – BDCJS18

Black & Decker ilmoittaa, että tuotteet, jotka on kuvattu kohdassa Tekniset tiedot, täyttävät seuraavien direktiivien vaatimukset:

EN60745-1:2009+A11:2010, EN60745-2-11:2010

Nämä tuotteet täyttävät myös direktiivit 2014/30/EU ja 2011/65/EU.

Saat lisätietoja ottamalla yhteyttä Black & Deckeriin. Osoite näkyy käyttöohjeen takasivulla.

Allekirjoittaja vastaa teknisistä tiedoista ja antaa tämän vakuutuksen Black & Deckerin puolesta.

R. Laverick
Konetekniikkajohtaja
Black & Decker Europe, 210 Bath Road, Slough,
Berkshire, SL1 3YD
Yhdistynyt kuningaskunta
19.10.2018

Takuu

Black & Decker on vakuuttanut tuotteidensa korkeasta laadusta ja tarjoaa kuluttajille 24 kuukauden takuun, joka astuu voimaan ostopäivänä. Takuu on lisäys kuluttajan laillisiin oikeuksiin eikä vaikuta niihin. Tämä takuu on voimassa kaikissa EU- ja ETA-maissa.

Edellytyksenä takuun saamiselle on, että vaade täyttää Black & Deckerin ehdot ja että ostaja toimittaa ostosoitteen jälleenmyyjälle tai valtuutetulle huoltoilikeelle. Black & Deckerin kahden vuoden takuun ehdot ja lähimmän valtuutetun korjauspalvelun yhteystiedot ovat saatavilla osoitteessa www.2helpU.com tai ottamalla yhteyttä paikalliseen Black & Deckerin toimipisteeseen tässä ohjekirjassa ilmoitettuihin osoitteisiin.

Käy verkkosivuillemme osoitteessa www.blackanddecker.fi ja rekisteröi uusi Black & Decker -tuotteesi saadaksesi tietoa uusista tuotteista ja erikoistarjouksista.

Προβλεπόμενη χρήση

Η σέγα BDCJS18 της BLACK+DECKER™ έχει σχεδιαστεί για κοπή ξύλου, πλαστικού και μεταλλικών ελασμάτων. Αυτό το εργαλείο προορίζεται μόνο για ερασιτεχνική χρήση.

Οδηγίες ασφαλείας**Γενικές προειδοποιήσεις ασφαλείας για ηλεκτρικά εργαλεία**

ΠΡΟΕΙΔΟΠΟΙΗΣΗ! Διαβάστε όλες τις προειδοποιήσεις ασφαλείας και όλες τις οδηγίες. Η μη τήρηση των προειδοποιήσεων και των οδηγιών που αναφέρονται παρακάτω μπορεί να έχει ως αποτέλεσμα ηλεκτροπληξία, πυρκαγιά ή/και σοβαρό τραυματισμό.

Φυλάξτε όλες τις προειδοποιήσεις και οδηγίες για μελλοντική αναφορά. Ο όρος «ηλεκτρικό εργαλείο» σε όλες τις προειδοποιήσεις που αναγράφονται παρακάτω αναφέρεται στην ηλεκτρική συσκευή (τροφοδοσία με καλώδιο) ή την επαναφορτιζόμενη συσκευή (τροφοδοσία με μπαταρία).

1. Ασφάλεια περιοχής εργασίας

- Διατηρείτε την περιοχή εργασίας καθαρή και καλά φωτισμένη.** Οι ατακτοποιήτες ή σκοτεινές περιοχές γίνονται αιτίες ατυχημάτων.
- Μη χρησιμοποιείτε ηλεκτρικά εργαλεία σε εκρηκτικές ατμόσφαιρες, π.χ. παρουσία εύφλεκτων υγρών, αερίων ή σκόνης.** Τα ηλεκτρικά εργαλεία παράγουν σπινθήρες που μπορεί να προκαλέσουν ανάφλεξη της σκόνης ή των αναθυμιάσεων.
- Κρατάτε παιδιά και παρευρισκόμενους μακριά, κατά τη χρήση ενός ηλεκτρικού εργαλείου.** Παράγοντες που αποσπούν την προσοχή μπορεί να σας κάνουν να χάσετε τον έλεγχο.

2. Ηλεκτρική ασφάλεια

- Τα φως των ηλεκτρικών εργαλείων πρέπει να ταιριάζουν στις πρίζες. Ποτέ μην τροποποιείτε το φως. Μη χρησιμοποιείτε προσαρμογείς φως με γειωμένα ηλεκτρικά εργαλεία.** Η χρήση του εργοστασιακού φως και της κατάλληλης πρίζας μειώνει τον κίνδυνο ηλεκτροπληξίας.
- Αποφεύγετε την επαφή του σώματος με γειωμένες επιφάνειες όπως σωλήνες, σώματα καλοριφέρ, κουζίνες και ψυγεία.** Υπάρχει αυξημένος κίνδυνος ηλεκτροπληξίας αν το σώμα σας γειωθεί.
- Μην εκθέτετε τα ηλεκτρικά εργαλεία σε βροχή ή συνθήκες υψηλής υγρασίας.** Η διείσδυση νερού στο ηλεκτρικό εργαλείο θα αυξήσει τον κίνδυνο ηλεκτροπληξίας.

- Μην κακομεταχειρίζεστε το καλώδιο. Μη χρησιμοποιείτε ποτέ το καλώδιο για να μεταφέρετε, τραβήξετε ή αποσυνδέσετε το ηλεκτρικό εργαλείο. Κρατάτε το καλώδιο μακριά από θερμότητα, κοφτερές ακμές ή κινούμενα εξαρτήματα.** Τα φθαμένα ή μπερδεμένα καλώδια αυξάνουν τον κίνδυνο ηλεκτροπληξίας.
- Κατά τη χρήση του ηλεκτρικού εργαλείου σε εξωτερικούς χώρους, χρησιμοποιείτε καλώδιο επέκτασης που είναι κατάλληλο για χρήση σε εξωτερικούς χώρους.** Η χρήση καλωδίου κατάλληλου για χρήση σε εξωτερικό χώρο μειώνει τον κίνδυνο ηλεκτροπληξίας.
- Εάν η χρήση του ηλεκτρικού εργαλείου σε περιβάλλον με υγρασία είναι αναπόφευκτη, τότε χρησιμοποιήστε πηγή ρεύματος με διάταξη ρελέ διαρροής (RCD).** Η χρήση διάταξης RCD μειώνει τον κίνδυνο ηλεκτροπληξίας.

3. Προσωπική ασφάλεια

- Παραμένετε σε επαγρύπνηση, προσέχετε τι κάνετε και εφορμώζετε την κοινή λογική όταν χρησιμοποιείτε ηλεκτρικό εργαλείο. Μη χρησιμοποιείτε ηλεκτρικό εργαλείο όταν είστε κουρασμένος/η ή υπό την επήρεια ναρκωτικών, οινοπνεύματος ή φαρμακευτικής αγωγής.** Μια στιγμή απροσεξίας κατά τη χρήση ηλεκτρικών εργαλείων μπορεί να προκαλέσει σοβαρό τραυματισμό.
- Χρησιμοποιείτε εξοπλισμό ατομικής προστασίας. Πάντα φοράτε προστασία ματιών.** Ο προστατευτικός εξοπλισμός, όπως μάσκα κατά της σκόνης, αντιολισθητικά παπούτσια ασφαλείας, κράνος ή προστασία ακοής, όταν χρησιμοποιείται για τις κατάλληλες συνθήκες, θα μειώσει τους τραυματισμούς.
- Αποφεύγετε την ακούσια ενεργοποίηση. Προτού συνδέσετε το καλώδιο τροφοδοσίας/την μπαταρία και προτού σηκώσετε ή μεταφέρετε το εργαλείο να βεβαιώνετε ότι ο διακόπτης λειτουργίας είναι κλειστός.** Η μεταφορά ηλεκτρικών εργαλείων με το δάκτυλο στον διακόπτη λειτουργίας ή η σύνδεση της τροφοδοσίας σε ηλεκτρικά εργαλεία με ανοικτό διακόπτη λειτουργίας μπορεί να προκαλέσει ατυχήματα.
- Αφαιρείτε το κλειδί ρύθμισης προτού ενεργοποιήσετε το ηλεκτρικό εργαλείο.** Εάν στο περιστρεφόμενο τμήμα του ηλεκτρικού εργαλείου παραμείνει κάποιο κλειδί, τότε μπορεί να προκληθεί τραυματισμός.
- Μην τεντώνετε υπερβολικά. Διατηρείτε πάντα σταθερή στήριξη στα πόδια σας και καλή ισορροπία.** Έτσι μπορείτε να έχετε καλύτερο έλεγχο του ηλεκτρικού εργαλείου σε μη αναμενόμενες καταστάσεις.
- Να είστε ενδεδυμένοι κατάλληλα. Μη φοράτε ρούχα με χαλαρή εφαρμογή ή κοσμήματα. Κρατάτε τα μαλλιά, τα ρούχα και τα γάντια σας μακριά από κινούμενα**

μέρη. Τα χαλαρά ρούχα, τα κοσμήματα και τα μακριά μαλλιά μπορούν να πιαστούν σε κινούμενα μέρη.

- Αν παρέχονται διατάξεις για τη σύνδεση εξοπλισμού απομάκρυνσης και συλλογής της σκόνης, να βεβαιώνετε ότι έχουν συνδεθεί και χρησιμοποιούνται σωστά.** Η χρήση συστήματος συλλογής σκόνης μπορεί να μειώσει τους κινδύνους που σχετίζονται με αυτήν.

4. Χρήση και φροντίδα ηλεκτρικών εργαλείων

- Μην ασκείτε υπερβολική δύναμη στο ηλεκτρικό εργαλείο. Χρησιμοποιείτε το σωστό ηλεκτρικό εργαλείο για την εφαρμογή.** Το σωστό ηλεκτρικό εργαλείο θα εκτελέσει την εργασία καλύτερα και ασφαλέστερα, με την ένταση χρήσης για την οποία σχεδιάστηκε.
- Μη χρησιμοποιείτε το ηλεκτρικό εργαλείο αν ο διακόπτης δεν το ενεργοποιεί ή δεν το απενεργοποιεί.** Τα ηλεκτρικά εργαλεία που δεν είναι δυνατόν να ελεγχθούν μέσω του διακόπτη είναι επικίνδυνα και πρέπει να επισκευάζονται.
- Αποσυνδέστε το φως από την πηγή ρεύματος ή την μπαταρία από το ηλεκτρικό εργαλείο πριν πραγματοποιήσετε οποιοσδήποτε ρυθμίσεις, αλλάξετε αξεσουάρ ή αποθηκεύσετε τα ηλεκτρικά εργαλεία.** Τέτοια προληπτικά μέτρα ασφαλείας μειώνουν το κίνδυνο αθέλητης εκκίνησης του ηλεκτρικού εργαλείου.
- Όταν δε χρησιμοποιείτε το ηλεκτρικό εργαλείο, φυλάσσετε το μακριά από παιδιά και μην αφήνετε να το χρησιμοποιούν άτομα που δεν είναι εξοικειωμένα με αυτό ή με τις παρούσες οδηγίες.** Τα ηλεκτρικά εργαλεία είναι επικίνδυνα στα χέρια μη εκπαιδευμένων χρηστών.
- Συντηρείτε τα ηλεκτρικά εργαλεία. Ελέγχετε για κακή ευθυγράμμιση ή μάγκωμα των κινούμενων εξαρτημάτων, για θραύση εξαρτημάτων και για οποιαδήποτε άλλη κατάσταση που μπορεί να επηρεάσει τη λειτουργία του ηλεκτρικού εργαλείου.** Αν υπάρχει ζημία, φροντίστε να επισκευαστεί το ηλεκτρικό εργαλείο πριν τη χρήση του. Πολλά ατυχήματα προκαλούνται από κακοσυντηρημένα ηλεκτρικά εργαλεία.
- Διατηρείτε τα κοπτικά εργαλεία ακονισμένα και καθαρά.** Τα σωστά συντηρημένα κοπτικά εργαλεία με ακονισμένες ακμές σημειώνουν λιγότερες εμπλοκές και ελέγχονται ευκολότερα.
- Χρησιμοποιείτε το ηλεκτρικό εργαλείο, τα αξεσουάρ και τα εξαρτήματα εργασίας του εργαλείου κ.λπ. σύμφωνα με τις παρούσες οδηγίες, λαμβάνοντας υπόψη τις συνθήκες εργασίας και την προς εκτέλεση εργασία.** Η χρήση του ηλεκτρικού εργαλείου για εργασίες διαφορετικές από τις προβλεπόμενες θα μπορούσε να οδηγήσει σε επικίνδυνη κατάσταση.

5. ΧΡΗΣΗ ΚΑΙ ΦΡΟΝΤΙΔΑ ΕΡΓΑΛΕΙΟΥ ΜΠΑΤΑΡΙΑΣ

- Να επαναφορτίσετε μόνο με το φορτιστή που καθορίζει ο κατασκευαστής.** Ένας φορτιστής που είναι κατάλληλος για ένα τύπο πακέτων μπαταριών μπορεί να δημιουργήσει κίνδυνο πυρκαγιάς όταν χρησιμοποιείται με άλλο πακέτο μπαταριών.
- Χρησιμοποιείτε τα ηλεκτρικά εργαλεία μόνο με τις ειδικές, προβλεπόμενες μπαταρίες.** Η χρήση οποιωνδήποτε άλλων πακέτων μπαταριών μπορεί να δημιουργήσει κίνδυνο τραυματισμού και πυρκαγιάς.
- Όταν μια μπαταρία δεν χρησιμοποιείται, διατηρείτε την μακριά από άλλα μεταλλικά αντικείμενα όπως συνδετήρες, νομίσματα, κλειδιά, βίδες ή άλλα μικρά μεταλλικά αντικείμενα που μπορούν να δημιουργήσουν σύνδεση από τον έναν πόλο στον άλλο.** Αν βραχυκυκλωθούν οι πόλοι της μπαταρίας μπορεί να προκληθούν εγκαύματα ή πυρκαγιά.
- Αν οι μπαταρίες υποστούν κακομεταχείριση, μπορεί να διαρρεύσει υγρό. Αποφύγετε την επαφή. Αν κατά λάθος έρθετε σε επαφή, ξεπλύνετε με νερό. Αν το υγρό έρθει σε επαφή με τα μάτια, ζητήστε επιπλέον και ιατρική βοήθεια.** Το υγρό που εξέρχεται από τη μπαταρία μπορεί να προκαλέσει ερεθισμούς ή εγκαύματα.

6. ΣΕΡΒΙΣ

- Αναθέτετε το σέρβις του ηλεκτρικού σας εργαλείου σε εξειδικευμένο τεχνικό επισκευών που χρησιμοποιεί μόνο γνήσια ανταλλακτικά εξαρτήματα.** Έτσι θα εξασφαλίσετε τη διατήρηση της ασφάλειας του ηλεκτρικού εργαλείου.

Πρόσθετες προειδοποιήσεις ασφαλείας για ηλεκτρικά εργαλεία

ΠΡΟΕΙΔΟΠΟΙΗΣΗ! Πρόσθετες προειδοποιήσεις ασφαλείας για σέγες και παλινδρομικά πριόνια

- ◆ **Κρατάτε το ηλεκτρικό εργαλείο από μονωμένες επιφάνειες λαβής όταν εκτελείτε μια εργασία όπου το αξεσουάρ κοπής μπορεί να έρθει σε επαφή με αθέατα καλώδια.** Αν το αξεσουάρ κοπής έρθει σε επαφή με καλώδιο υπό τάση, τότε μπορεί να τεθούν υπό ηλεκτρική τάση και τα εκτεθειμένα μεταλλικά μέρη του ηλεκτρικού εργαλείου και να προκληθεί ηλεκτροπληξία στο χειριστή.
- ◆ **Χρησιμοποιείτε σφιγκτήρες ή άλλο πρακτικό τρόπο για να στερεώνετε και να στηρίζετε το τεμάχιο εργασίας σε σταθερό υπόβαθρο.** Αν κρατάτε το τεμάχιο εργασίας με το χέρι σας ή κόντρα στο σώμα σας, αυτό δεν είναι σταθερό και μπορεί να προκληθεί απώλεια ελέγχου.
- ◆ **Κρατάτε τα χέρια μακριά από την περιοχή κοπής.** Ποτέ και σε καμία περίπτωση μην βάλετε μέρη του

σώματος κάτω από το τεμάχιο εργασίας. Μην πλησιάζετε τα δάχτυλά ή τους αντίχειρές σας στη λεπίδα ή τον σφιγκτήρα της. Μη σταθεροποιείτε το πριόνι κρατώντας τοπέδιλο.

- ◆ **Διατηρείτε τις λεπίδες αιχμηρές.** Οι μη αιχμηρές ή φθαρμένες λεπίδες μπορούν να προκαλέσουν πλάγια εκτροπή του πριονιού ή ακινητοποίησή του λόγω πίεσης. Χρησιμοποιείτε πάντα τον κατάλληλο τύπο λεπίδας για το υλικό του τεμαχίου εργασίας και το είδος της κοπής.
 - ◆ **Όταν κόβετε σωλήνες και κανάλια, βεβαιώστε ότι δεν περιέχουν νερό, ηλεκτρικές καλωδιώσεις κ.λπ.**
 - ◆ **Μην αγγίζετε το τεμάχιο εργασίας ή τη λεπίδα αμέσως μετά τη λειτουργία του εργαλείου.** Ενδέχεται να αποκτήσουν πολύ υψηλή θερμοκρασία.
 - ◆ **Προσέχετε για τυχόν κρυμμένους κινδύνους προτού κόψετε τοίχους, δάπεδα ή οροφές. Επιβεβαιώστε τη θέση καλωδιώσεων και σωληνώσεων.**
 - ◆ **Η Λεπίδα συνεχίζει να κινείται μετά την απελευθέρωση του διακόπτη.** Προτού αφήσετε κάτω το εργαλείο, απενεργοποιείτε πάντα τον διακόπτη και περιμένετε να ακινητοποιηθεί εντελώς η λεπίδα του πριονιού.
- ΠΡΟΕΙΔΟΠΟΙΗΣΗ!** Η επαφή με σκόνη ή η εισπνοή σκόνης που προκύπτει από εφαρμογές κοπής, μπορεί να θέσει σε κίνδυνο την υγεία του χειριστή και τυχόν παρευρισκομένων. Φοράτε μάσκα προστασίας ειδικά σχεδιασμένη για προστασία από σκόνη και αναθυμιάσεις και βεβαιωθείτε ότι προστατεύονται και τα άτομα που βρίσκονται ή εισέρχονται στην περιοχή εργασίας.
- ◆ Η προβλεπόμενη χρήση περιγράφεται στο παρόν εγχειρίδιο οδηγιών.
 - ◆ Η χρήση οποιουδήποτε αξεσουάρ ή προσαρτήματος ή η εκτέλεση οποιασδήποτε εργασίας με αυτό το εργαλείο πέραν των όσων συνιστώνται στο παρόν εγχειρίδιο οδηγιών, μπορεί να προκαλέσει κίνδυνο τραυματισμού ή/και υλικών ζημιών.

Ασφάλεια άλλων προσώπων

- ◆ Αυτό το εργαλείο δεν προορίζεται για χρήση από άτομα (περιλαμβανομένων παιδιών) με μειωμένες σωματικές, αισθητηριακές ή πνευματικές ικανότητες, ή με έλλειψη εμπειρίας και γνώσης, εκτός αν σε αυτά έχει παρασχεθεί από άτομο υπεύθυνο για την ασφάλειά τους επίβλεψη ή εκπαίδευση σχετικά με τη χρήση της συσκευής.
- ◆ Τα παιδιά θα πρέπει να βρίσκονται υπό επίβλεψη ώστε να διασφαλίζεται ότι δεν παίζουν με τη συσκευή.

Υπολειπόμενοι κίνδυνοι

Κατά τη χρήση του εργαλείου ενδέχεται να προκύψουν επιπλέον κίνδυνοι, οι οποίοι δεν περιλαμβάνονται στις υπάρχουσες προειδοποιήσεις ασφαλείας. Αυτοί οι κίνδυνοι ενδέχεται να προκληθούν από ακατάλληλη χρήση, παρατεταμένη χρήση κ.λπ.

Παρά την εφαρμογή των σχετικών κανονισμών ασφαλείας και την ύπαρξη διατάξεων ασφαλείας, ορισμένοι υπολειπόμενοι κίνδυνοι δεν μπορούν να αποφευχθούν. Σ' αυτά περιλαμβάνονται:

- ◆ Τραυματισμοί λόγω επαφής με περιστρεφόμενα/κινούμενα μέρη.
- ◆ Τραυματισμοί κατά την αλλαγή εξαρτημάτων, λεπίδων ή αξεσουάρ.
- ◆ Τραυματισμοί λόγω παρατεταμένης χρήσης ενός εργαλείου. Όταν χρησιμοποιείτε εργαλεία για μεγάλα χρονικά διαστήματα, φροντίστε να κάνετε τακτικά διαλλείματα.
- ◆ Βλάβη της ακοής.
- ◆ Κίνδυνοι για την υγεία λόγω εισπνοής σκόνης η οποία παράγεται από τη χρήση του εργαλείου (παράδειγμα: εργασίες με ξύλο και ειδικότερα βελανιδιά, οξιά και MDF).

Κραδασμοί

Το επίπεδο εκπομπών κραδασμών που αναφέρεται στα τεχνικά στοιχεία και τη δήλωση συμμόρφωσης έχει μετρηθεί σύμφωνα με τη διαδικασία δοκιμής που ορίζει το πρότυπο EN 60745 και μπορεί να χρησιμοποιηθεί για τη σύγκριση ενός εργαλείου με ένα άλλο. Το επίπεδο εκπομπών κραδασμών που αναφέρεται μπορεί να χρησιμοποιηθεί για προκαταρκτική αξιολόγηση της έκθεσης.

ΠΡΟΕΙΔΟΠΟΙΗΣΗ! Το επίπεδο εκπομπών κραδασμών κατά την πραγματική χρήση του ηλεκτρικού εργαλείου ενδέχεται να διαφέρει από την αναφερόμενη τιμή ανάλογα με τον τρόπο χρήσης του εργαλείου. Το επίπεδο των κραδασμών ενδέχεται να υπερβεί την τιμή που αναφέρεται στα τεχνικά στοιχεία.

Κατά την αξιολόγηση της έκθεσης σε κραδασμούς, προκειμένου να καθοριστούν τα μέτρα προστασίας που απαιτεί η Οδηγία 2002/44/EK για την προστασία των προσώπων που χρησιμοποιούν συχνά ηλεκτρικά εργαλεία στην εργασία τους, πρέπει να ληφθούν υπόψη οι πραγματικές συνθήκες και ο τρόπος χρήσης του εργαλείου, συμπεριλαμβάνοντας όλα τα τμήματα του κύκλου λειτουργίας εκτός του «καθαρού» χρόνου εργασίας, π.χ. τη διάρκεια που το εργαλείο μένει απενεργοποιημένο ή λειτουργεί στην αναμονή.

Ετικέτες πάνω στο εργαλείο

Στο εργαλείο εμφανίζονται τα εξής εικονογράμματα μαζί με τον κωδικό ημερομηνίας:



ΠΡΟΕΙΔΟΠΟΙΗΣΗ! Για να μειωθεί ο κίνδυνος τραυματισμού, ο χρήστης πρέπει διαβάσει το εγχειρίδιο οδηγιών.

Πρόσθετες οδηγίες ασφαλείας για μπαταρίες και φορτιστές.

Μπαταρίες

- ◆ Ποτέ μην επιχειρήσετε να ανοίξετε το προϊόν για κανένα λόγο.
- ◆ Μην εκθέτετε τη μπαταρία σε νερό.
- ◆ Μην αποθηκεύετε σε θεσεις όπου η θερμοκρασία μπορεί να υπερβεί τους 40 °C.
- ◆ Φορτίζετε μόνο σε θερμοκρασίες από 10°C έως 40°C.
- ◆ Φορτίζετε μόνο με τον φορτιστή που συνοδεύει το εργαλείο.
- ◆ Για την απόρριψη των μπαταριών τηρείτε τις οδηγίες που δίνονται στην ενότητα «Προστασία του περιβάλλοντος».



Μην επιχειρήσετε να φορτίσετε μπαταρίες που έχουν βλάβη.

Φορτιστές

- ◆ Χρησιμοποιείτε τον φορτιστή BLACK+DECKER μόνο για να φορτίζετε τη μπαταρία που συνοδεύει το εργαλείο. Άλλοι τύποι μπαταριών μπορεί να εκραγούν προκαλώντας τραυματισμό και ζημιά.
- ◆ Μην επιχειρήσετε ποτέ να φορτίσετε μη επαναφορτιζόμενες μπαταρίες.
- ◆ Αντικαταστήστε αμέσως τα ελαττωματικά καλώδια.
- ◆ Μην εκθέτετε τον φορτιστή σε νερό.
- ◆ Μην ανοίξετε τον φορτιστή.
- ◆ Μην τροποποιείτε τον φορτιστή.



Ο φορτιστής προορίζεται μόνο για χρήση σε εσωτερικούς χώρους.

Διαβάστε το εγχειρίδιο οδηγιών πριν τη χρήση.

Ηλεκτρική ασφάλεια



Ο φορτιστής σας διαθέτει διπλή μόνωση. Επομένως δεν απαιτείται αγωγός γείωσης. Ελέγχετε πάντα ότι η τάση του δικτύου αντιστοιχεί στην τάση που αναγράφεται στην πλακέδα στοιχείων. Μην επιχειρήσετε ποτέ να αντικαταστήσετε τον φορτιστή με κανονικό φως τροφοδοσίας.

- ◆ Αν το καλώδιο τροφοδοσίας υποστεί ζημιά, τότε πρέπει να αντικατασταθεί από τον κατασκευαστή ή εξουσιοδοτημένο κέντρο σέρβις της BLACK+DECKER ώστε να αποφευχθούν τυχόν κίνδυνοι.

Χαρακτηριστικά

Στο εργαλείο εμφανίζονται τα εξής σύμβολα μαζί με τον κωδικό ημερομηνίας:

1. Διακόπτης σκανδάλης ρύθμισης ταχύτητας

2. Κουμπί απασφάλισης
3. Μοχλός ασφάλισης λεπίδας πριονιού
4. Σφιγκτήρας λεπίδας
5. Ράουλο στήριξης λεπίδας
6. Πλάκα πέδιλο
7. Κουμπί κίνησης κοπής

εικ. Α (BDCJS18 μόνο)

Αυτό το εργαλείο διαθέτει όλα ή ορισμένα από τα εξής χαρακτηριστικά.

8. Μπαταρία
9. Φορτιστή μπαταριών

ΣΥΝΑΡΜΟΛΟΓΗΣΗ

ΠΡΟΕΙΔΟΠΟΙΗΣΗ! Πριν την συναρμολόγηση, αφαιρέστε την μπαταρία από το εργαλείο και βεβαιωθείτε ότι η λεπίδα έχει ακινητοποιηθεί. Η λεπίδα που μόλις χρησιμοποιήθηκε μπορεί να καίει.

Τοποθέτηση και αφαίρεση λεπίδας πριονιού (εικ. Β)

- ◆ Κρατήστε τη λεπίδα πριονιού (11) με τα δόντια στραμμένα προς τα εμπρός.
- ◆ Σηκώστε τον μοχλό ασφάλισης της λεπίδας (3) προς τα επάνω.
- ◆ Περάστε το στέλεχος της λεπίδας μέσα στον σφιγκτήρα (4) μέχρι το τέarma της διαδρομής.
- ◆ Ελευθερώστε το μοχλό.
- ◆ Για να αφαιρέσετε τη λεπίδα (11), σηκώστε τον μοχλό ασφάλισης της λεπίδας (3) προς τα επάνω και τραβήξτε έξω τη λεπίδα.

Τοποθέτηση και αφαίρεση της μπαταρίας (εικ. C)

- ◆ Για να τοποθετήσετε την μπαταρία (8) ευθυγραμμίστε την με την υποδοχή που υπάρχει στο εργαλείο. Σύρετε την μπαταρία μέσα στην υποδοχή και πιέστε την μέχρι να ασφαλίσει στη θέση της.
- ◆ Για να αφαιρέσετε την μπαταρία, πιέστε το κουμπί απασφάλισης (12), τραβώντας ταυτόχρονα την μπαταρία έξω από την υποδοχή.

Χρήση

ΠΡΟΕΙΔΟΠΟΙΗΣΗ! Μην πιέζετε το εργαλείο να δουλέψει ταχύτερα. Μην προκαλείτε υπερφόρτωση.

ΠΡΟΕΙΔΟΠΟΙΗΣΗ! Μη χρησιμοποιείτε ποτέ το εργαλείο όταν το πέλμα είναι χαλαρό ή έχει αφαιρεθεί.

Φόρτιση της μπαταρίας (εικ. Α)

Η μπαταρία πρέπει να φορτιστεί πριν από την πρώτη χρήση και κάθε φορά που δεν είναι σε θέση να παράγει επαρκή ισχύ σε εργασίες που γίνοντουσαν εύκολα πιο πριν. Η θερμοκρασία της μπαταρίας ενδέχεται να αυξηθεί κατά τη

φόρτιση. Αυτό είναι φυσιολογικό και δεν αποτελεί ένδειξη προβλήματος.

ΠΡΟΕΙΔΟΠΟΙΗΣΗ! Μη φορτίζετε την μπαταρία σε θερμοκρασίες περιβάλλοντος κάτω από 10 °C ή πάνω από 40 °C. Συνιστώμενη θερμοκρασία φόρτισης: περίπου 24 °C.
ΣΗΜΕΙΩΣΗ: Ο φορτιστής δεν φορτίζει την μπαταρία εάν η θερμοκρασία του στοιχείου είναι χαμηλότερη από 10 °C ή υψηλότερη από 40 °C (περίπου). Η μπαταρία πρέπει να παραμείνει στον φορτιστή, ο οποίος θα ξεκινήσει αυτόματα τη φόρτιση της μόλις η θερμοκρασία του στοιχείου επανέλθει στις κανονικές τιμές.

- ◆ Για να φορτίσετε την μπαταρία (8) τοποθετήστε την στον φορτιστή (9). Η μπαταρία τοποθετείται στον φορτιστή μόνο με έναν τρόπο. Μην ασκείτε άσκοπη δύναμη. Βεβαιωθείτε ότι η μπαταρία έχει εφαρμόσει πλήρως στον φορτιστή.
- ◆ Συνδέστε τον φορτιστή στην πρίζα και ενεργοποιήστε τον. Η ένδειξη φόρτισης θα αρχίσει να αναβοσβήνει. Η φόρτιση θα έχει ολοκληρωθεί μόλις η ένδειξη φόρτισης παραμείνει σταθερά αναμμένη.
- ◆ Δεν απαιτείται αποσύνδεση της μπαταρίας από τον φορτιστή.
- ◆ Φορτίζετε τις μπαταρίες εντός 1 εβδομάδας από την εκφόρτιση τους. Η διάρκεια ζωής της μπαταρίας θα μειωθεί σημαντικά εάν αποθηκευτεί εκφορτισμένη.

Παραμονή της μπαταρίας στον φορτιστή

Δεν απαιτείται αποσύνδεση της μπαταρίας από τον φορτιστή ακόμα και αν ανάβει σταθερά η ένδειξη LED. Ο φορτιστής θα διατηρήσει την μπαταρία πλήρως φορτισμένη.

Διαγνωστικός έλεγχος φορτιστή

Εάν ο φορτιστής εντοπίσει αδύναμη ή κατεστραμμένη μπαταρία, τότε η ένδειξη φόρτισης θα αναβοσβήνει γρήγορα με κόκκινο χρώμα. Προχωρήστε ως εξής

- ◆ Τοποθετήστε ξανά την μπαταρία (8).
- ◆ Εάν η ένδειξη φόρτισης εξακολουθεί να αναβοσβήνει γρήγορα με κόκκινο χρώμα, τότε χρησιμοποιήστε μια άλλη μπαταρία για να βεβαιωθείτε ότι η διαδικασία φόρτισης εκτελείται σωστά.
- ◆ Εάν η δεύτερη μπαταρία φορτίζεται σωστά, τότε η αρχική μπαταρία είναι ελαττωματική και πρέπει να επιστραφεί σε ένα κέντρο σέρβις για ανακύκλωση.
- ◆ Εάν και η νέα μπαταρία δίνει την ίδια ένδειξη με την αρχική, τότε αναθέστε τον έλεγχο του φορτιστή σε εξουσιοδοτημένο κέντρο σέρβις.

ΣΗΜΕΙΩΣΗ: Ενδέχεται να απαιτηθούν έως και 30 λεπτά μέχρι να εντοπιστεί μια ελαττωματική μπαταρία. Εάν η μπαταρία είναι υπερβολικά ζεστή ή κρύα, τότε η ένδειξη LED θα αναβοσβήνει εναλλάξ αργά και γρήγορα με κόκκινο χρώμα.

Ενεργοποίηση και απενεργοποίηση (εικ. D & E)

- ◆ Για την ενεργοποίηση, σύρετε το διακόπτη απασφάλισης (2) προς τα αριστερά και, κατόπιν τραβήξτε τη σκανδάλη ρύθμισης της ταχύτητας (1).

- ◆ Για απενεργοποίηση, ελευθερώστε τη σκανδάλη (1)

ΠΡΟΕΙΔΟΠΟΙΗΣΗ! Μην ενεργοποιείτε και απενεργοποιείτε το εργαλείο ενώ βρίσκεται υπό φορτίο.

ΠΡΟΕΙΔΟΠΟΙΗΣΗ! Όταν δεν χρησιμοποιείτε το εργαλείο να μετακινείτε πάντα τον διακόπτη απασφάλισης (2) προς τα δεξιά στη θέση κλειδώματος.

Ρύθμιση ταχύτητας

Ο διακόπτης ρύθμισης ταχύτητας προσφέρει διάφορες επιλογές ταχύτητας για καλύτερα αποτελέσματα κοπής με τα διάφορα υλικά.

- ◆ Η ταχύτητα καθορίζεται από τη διαδρομή που θα πατηθεί η σκανδάλη (1).

Οριζόντια φάλτσοκοπή (εικ. F, G & H)

Η φάλτσογωνία της πλάκας του πέδιλου ρυθμίζεται προς τα αριστερά ή τα δεξιά στις 22,5° και τις 45°.

Για να ρυθμίσετε τη φάλτσογωνία:

- ◆ Ξεσφίξτε το μπουλόνι συγκράτησης του πέδιλου (13) με το συνοδευτικό κλειδί άλλεν (14) για να απασφαλίσετε την πλάκα του πέδιλου (6).
- ◆ Σύρετε την πλάκα του πέδιλου (6) προς τα εμπρός για την ελευθερώσετε από την εγκοπή των 0°.
- ◆ Περιστρέψτε την πλάκα του πέδιλου στην επιθυμητή φάλτσογωνία (εικ. G).
- ◆ Σύρετε την πλάκα του πέδιλου προς τα πίσω για να την ασφαλίσετε στην αριστερή ή τη δεξιά εγκοπή.
- ◆ Σφίξτε το μπουλόνι συγκράτησης του πέδιλου (13) με το συνοδευτικό κλειδί άλλεν (14) για να ασφαλίσετε την πλάκα του πέδιλου (6) στην επιθυμητή θέση.

ΣΗΜΕΙΩΣΗ: Το πέδιλο μπορεί να ρυθμιστεί προς τα αριστερά ή τα δεξιά στις εγκοπές φάλτσογωνίας 22,5° και 45°.

Κίνηση κοπής (εικ. I)

Η σέγα αυτή διαθέτει τρεις κινήσεις κοπής, δύο ελλειψοειδείς και μία ευθεία. Η ελλειψοειδής κίνηση χαρακτηρίζεται από πιο επιθετική κίνηση της λεπίδας και έχει σχεδιαστεί για κοπή σε μαλακά υλικά όπως ξύλο ή πλαστικό. Η ελλειψοειδής κίνηση προσφέρει ταχύτερη κοπή, αλλά με λιγότερο λείο αποτέλεσμα κοπής μέσα από το υλικό.

Στην ελλειψοειδή κίνηση, επιπλέον της κίνησης πάνω-κάτω, η λεπίδα κινείται και προς τα εμπρός κατά τη διαδρομή κοπής.

ΠΡΟΕΙΔΟΠΟΙΗΣΗ! Μέταλλα και σκληρά ξύλα δεν πρέπει ποτέ να κόβονται με ελλειψοειδή κίνηση κοπής.

- ◆ Σύρετε το κουμπί κίνησης κοπής (7) σε μία από τις τρεις θέσεις κοπής: 0, 1 και 2.

- ◆ Η θέση 0 αντιστοιχεί σε ευθεία κίνηση κοπής.
- ◆ Οι θέσεις 1 και 2 αντιστοιχούν σε ελλειψοειδή κίνηση κοπής.
- ◆ Η επιθετικότητα της κοπής αυξάνει καθώς αυξάνεται η ρύθμιση του μοχλού από το ένα στο δύο, με το δύο να αντιστοιχεί στην πιο επιθετική κοπή.

Κοπή με το πριόνι

- ◆ Κρατάτε πάντα το εργαλείο και με τα δύο χέρια.
- ◆ Αφήνετε τη λεπίδα να κινηθεί ελεύθερα για μερικά δευτερόλεπτα προτού ξεκινήσετε την κοπή.
- ◆ Κατά την κοπή να εφαρμόζετε μόνο ελαφριά πίεση στο εργαλείο.
- ◆ Αν είναι εφικτό, εργάζεστε με το πέδιλο (6) πιεσμένο πάνω στο τεμάχιο εργασίας. Με τον τρόπο αυτόν βελτιώνεται ο έλεγχος και μειώνονται οι κραδασμοί, ενώ αποτρέπεται και η βλάβη της λεπίδας.

Συμβουλές για βέλτιστη χρήση

Γενικά

- ◆ Χρησιμοποιείτε υψηλή ταχύτητα για ξύλο, μεσαία ταχύτητα για αλουμίνιο και PVC και χαμηλή ταχύτητα για μέταλλα εκτός του αλουμινίου.

Κοπή λαμινέιτ

Καθώς η λεπίδα κόβει στο ανέβασμά της, ενδέχεται να σημειωθεί ξέφτισμα της επιφάνειας που βρίσκεται πλησιέστερα στην πλάκα του πέδιλου.

- ◆ Χρησιμοποιείτε λεπίδα πριονιού με φιλή οδόντωση.
- ◆ Κόβετε στην πίσω όψη του τεμαχίου εργασίας.
- ◆ Για να ελαχιστοποιήσετε το ξέφτισμα, εφαρμόστε από ένα άχρηστο κομμάτι ξύλο ή κόντρα πλακέ και στις δύο πλευρές του τεμαχίου εργασίας και κόψτε το σαν σάντουιτς.

Κοπή μέταλλο

Να γνωρίζετε ότι η κοπή μετάλλου απαιτεί περισσότερο χρόνο από την κοπή ξύλου.

- ◆ Χρησιμοποιείτε λεπίδα κατάλληλη για κοπή μέταλλο. Χρησιμοποιείτε λεπίδα με πιο φιλή οδόντωση για σιδηρούχα μέταλλα και λεπίδα με μεγαλύτερα δόντια για μη σιδηρούχα υλικά.
- ◆ Για να κόψετε λεπτά μεταλλικά ελάσματα, εφαρμόστε από ένα άχρηστο κομμάτι ξύλο ή κόντρα πλακέ και στις δύο πλευρές του τεμαχίου εργασίας και κόψτε το σαν σάντουιτς.
- ◆ Απλώστε λίγο λάδι κατά μήκος της κοπής που σκοπεύετε να κάνετε.

ΑΞΕΣΟΥΑΡ

Η απόδοση του εργαλείου εξαρτάται από τα αξεσουάρ που χρησιμοποιούνται. Τα αξεσουάρ BLACK+DECKER

κατασκευάζονται με υψηλές προδιαγραφές ποιότητας και σχεδιάζονται ειδικά για τη βελτίωση των επιδόσεων αυτού του εργαλείου. Χρησιμοποιώντας αυτά τα αξεσουάρ θα εκμεταλλευτείτε στο έπακρο τις δυνατότητες του εργαλείου. Αυτό το εργαλείο είναι κατάλληλο για χρήση με λεπίδες που έχουν στέλεχος σχήματος U και T.

Συντήρηση

Αυτό το εργαλείο έχει σχεδιαστεί να λειτουργεί για μεγάλη χρονική περίοδο με ελάχιστη συντήρηση. Η συνεχής ικανοποιητική λειτουργία εξαρτάται από τη σωστή φροντίδα και τον τακτικό καθαρισμό του εργαλείου.

ΠΡΟΕΙΔΟΠΟΙΗΣΗ! Απενεργοποιείτε και αποσυνδέετε το εργαλείο από το ρεύμα προτού εκτελέσετε οποιαδήποτε συντήρηση.

- ◆ Καθαρίζετε τακτικά τα ανοίγματα αερισμού που υπάρχουν στο εργαλείο και τον φορτιστή, χρησιμοποιώντας μαλακή βούρτσα ή στεγνό πανί.
- ◆ Καθαρίζετε τακτικά το περιβλήμα του μοτέρ χρησιμοποιώντας ένα υγρό πανί. Μη χρησιμοποιείτε ισχυρά καθαριστικά ή διαλύτες.
- ◆ Κατά καιρούς ρίχνετε μια σταγόνα λάδι στον άξονα του ράουλου στήριξης της λεπίδας (5).

Προστασία του περιβάλλοντος



Χωριστή συλλογή. Τα προϊόντα και οι μπαταρίες που επισημαίνονται με αυτό το σύμβολο δεν πρέπει να απορρίπτονται μαζί με τα κανονικά οικιακά απορρίμματα.

Τα προϊόντα και οι μπαταρίες περιέχουν υλικά που μπορούν να ανακτηθούν ή να ανακυκλωθούν ώστε να μειωθούν οι ανάγκες για πρώτες ύλες.

Παρακαλούμε να ανακυκλώσετε τα ηλεκτρικά προϊόντα και τις μπαταρίες σύμφωνα με τους τοπικούς κανονισμούς. Περισσότερες πληροφορίες διατίθενται στον ιστότοπο www.2helpU.com

Τεχνικά στοιχεία

BDCJS18 H1		
Τάση	V _{ac}	18
Ταχύτητα χωρίς φορτίο	min ⁻¹	0-2500
Μήκος διαδρομής	mm	19
Μέγ. βάθος κοπής:		
Ξύλο	mm	55
Χάλυβας	mm	8
Αλουμίνιο	mm	20
Βάρος	Kg	1.87

Φορτιστής		905902**/ N4940**	905998**/ 906349**
Τάση εισόδου	V _{AC}	100-240	220-240
Τάση εξόδου	V _{DC}	8-20	8-20
Ένταση ρεύματος	mA	400	1000
Χρόνος φόρτισης, περίπου	Ώρες	3-11	1.5-5

Μπαταρία		BL2018*	BL2518*	BL1518*	BL4018
Τάση	V _{DC}	18	18	18	18
Χωρητικότητα	Ah	2.0	2.5	1.5	4.0
Τύπος		Ιόντων Λιθίου	Ιόντων Λιθίου	Ιόντων Λιθίου	Ιόντων Λιθίου

Στάθμη ηχητικής πίεσης σύμφωνα με το EN60745:	
L _{pa} (ηχητική πίεση)	84,5 dB(A), Αβεβαιότητα (Κ) 3 dB(A)
L _{wa} (ηχητική ισχύς)	95,5 dB(A), Αβεβαιότητα (Κ) 3 dB(A)

Συνολικές τιμές κραδασμών (άθροισμα τριαξονικών ανυσμάτων), σύμφωνα με το πρότυπο EN 60745:	
Κοπή σανίδων (a _{h,B})	6 m/s ² , αβεβαιότητα (Κ) 1,5 m/s ²
Κοπή ελασμάτων (a _{h,W})	4,3 m/s ² , αβεβαιότητα (Κ) 1,5 m/s ²

Δήλωση συμμόρφωσης EC

ΟΔΗΓΙΑ ΠΕΡΙ ΜΗΧΑΝΗΜΑΤΩΝ



Επαναφορτιζόμενη Σέγα - BDCJS18

Η Black & Decker δηλώνει ότι αυτά τα προϊόντα που περιγράφονται στα «Τεχνικά στοιχεία» είναι σε συμμόρφωση με τα εξής:

EN 60745-1:2009+A11:2010, EN60745-2-11:2010

Αυτά τα προϊόντα συμμορφώνονται επίσης με την οδηγία 2006/42/EC, 2014/30/EE και 2011/65/EE.

Για περισσότερες πληροφορίες, επικοινωνήστε με την Black & Decker στην παρακάτω διεύθυνση ή να ανατρέξετε στο πίσω μέρος του εγχειριδίου.

Ο κάτωθι υπογεγραμμένος είναι υπεύθυνος για την κατάρτιση του τεχνικού φακέλου και δηλώνει τα παρόντα εκ μέρους της Black & Decker.

R. Laverick
Director of Engineering
Black & Decker Europe, 210 Bath Road, Slough,
Berkshire, SL1 3YD
Ηνωμένο Βασίλειο
19/10/2018

Εγγύηση

Η Black & Decker είναι σίγουρη για την ποιότητα των προϊόντων της και προσφέρει στους καταναλωτές εγγύηση 24 μηνών από την ημερομηνία αγοράς. Αυτή η εγγύηση συμπληρώνει και με κανένα τρόπο δεν παραβιάζει τα νόμιμα δικαιώματά σας. Η εγγύηση ισχύει εντός της επικράτειας των χωρών μελών της Ευρωπαϊκής Ένωσης και της Ευρωπαϊκής Ζώνης Ελεύθερων Συναλλαγών.

Για να υποβάλετε αξίωση βάσει της εγγύησης, η αξίωση θα πρέπει να είναι σύμφωνη με τους Όρους και προϋποθέσεις της Black & Decker και θα χρειαστεί να υποβάλετε απόδειξη αγοράς στον πωλητή ή σε εξουσιοδοτημένο αντιπρόσωπο επισκευών. Μπορείτε να αποκτήσετε τους Όρους και προϋποθέσεις της εγγύησης 2 ετών της Black & Decker και να μάθετε την τοποθεσία του πλησιέστερου εξουσιοδοτημένου αντιπροσώπου επισκευών στο Internet στο www.2helpU.com, ή επικοινωνώντας με το τοπικό σας γραφείο Black & Decker στη διεύθυνση που υποδεικνύεται στο παρόν εγχειρίδιο.

Παρακαλούμε επισκεφθείτε την ιστοσελίδα μας www.blackanddecker.gr για να καταχωρίσετε το νέο σας προϊόν Black & Decker και για να ενημερωθείτε για τα νέα προϊόντα και τις ειδικές προσφορές.

België/Belgique/Luxembourg www.blackanddecker.be enduser.be@sbdinc.com	Stanley Black & Decker Belgium BVBA Egide Walschaertsstraat 16 2800 Mechelen	Tel. NL +32 15 47 37 65 Tel. FR +32 15 47 37 66 Fax. +32 15 47 37 99
Danmark	Black & Decker Roskildevej 22 2620 Albertslund	kundeservice.dk@sbdinc.com www.blackanddecker.dk
Deutschland www.blackanddecker.de infobfge@sbdinc.com	Stanley Black & Decker Deutschland GmbH Black & Decker Str. 40, D - 65510 Idstein	Tel. 06126 21-0 Fax 06126 21-2980
Ελλάδα www.blackanddecker.gr greece.service@sbdinc.com	Stanley Black & Decker (ΕΛΛΑΣ) Ε.Π.Ε ΓΡΑΦΕΙΑ: Σπύριδωνος 7 & Βουλιαγμένης 166 74 Γλυφάδα - Αθήνα	Τηλ. 210-8981616 Φαξ 210-8983570
SERVICE:	Ημερος Τόπος 2 -Χάνι Αδάμ 193 00 Ασπρόπυργος - Αθήνα	Τηλ. Service 210-8985208 Φαξ 210-5597598
España www.blackanddecker.es respuesta.posventa@sbdinc.com	Stanley Black & Decker Ibérica, S.C.A. Parc de Negocis "Mas Blau" Edificio Muntadas, c/Bergadá, 1, Of. A6 08820 El Prat de Llobregat (Barcelona)	Tel. 934 797 400 Fax 934 797 419
France www.blackanddecker.fr	Black & Decker (France) S.A.S. 5 allée des Hêtres B.P. 30084 69579 Limonest Cédex	Tel. 04 72 20 39 20 Fax 04 72 20 39 00
Helvetia www.blackanddecker.ch service@rofoag.ch	ROFO AG Gewerbezone Seeblick 3213 Kleinbödingen	Tel. 026-6749393 Fax 026-6749394
Italia www.blackanddecker.it service.italia@sbdinc.com	Stanley Black & Decker Italia Via Energypark 6 20871 Vimercate (MB)	Tel. 039-9590200 Fax 039-9590313 Numero verde 800-213935
Nederland www.blackanddecker.nl enduser.nl@sbdinc.com	Stanley Black & Decker Netherlands BV Holtum Noordweg 35, 6121 RE BORN Postbus 83, 6120 AB BORN	Tel. +31 164 283 065 Fax +31 164 283 200
Norge	Black & Decker Postboks 4613, Nydalen 0405 Oslo	kundeservice.no@sbdinc.com www.blackanddecker.no
Österreich www.blackanddecker.at service.austria@sbdinc.com	Stanley Black & Decker Austria GmbH Oberlaaerstraße 248, A-1230 Wien	Tel. 01 66116-0 Fax 01 66116-614
Portugal www.blackanddecker.pt resposta.posvenda@sbdinc.com	Black & Decker Limited SARL Quinta da Fonte - Edifício Q55 D, Diniz Rua dos Malhões, 2 e 2A - Piso 2 Esquerdo 2770 - 071 Paço de Arcos	Tel. 214667500 Fax 214667580
Suomi	Black & Decker PL47 00521, Helsinki	asiakaspalvelu.fi@sbdinc.com www.blackanddecker.fi
Sverige	Black & Decker AB Box 94, 431 22 Mölndal	kundservice.se@sbdinc.com www.blackanddecker.se
Türkiye www.blackanddecker.com.tr	KALE Hırdavat ve Makina A.Ş. Defferdar Mah. Savaklar Cad. No:15 Edimekapı / Eyüp / İstanbul 34050	Tel. 0212 533 52 55 Fax. 0212 533 10 05
United Kingdom & Republic Of Ireland www.blackanddecker.co.uk emeaservice@sbdinc.com	Black & Decker 210 Bath Road Slough, Berkshire SL1 3YD	Tel. 01753 511234 Fax 01753 512365
Middle East & Africa www.blackanddecker.ae service.mea@sbdinc.com	Black & Decker P.O.Box - 17164 Jebel Ali Free Zone (South), Dubai, UAE	Tel. +971 4 8863030 Fax +971 4 8863333