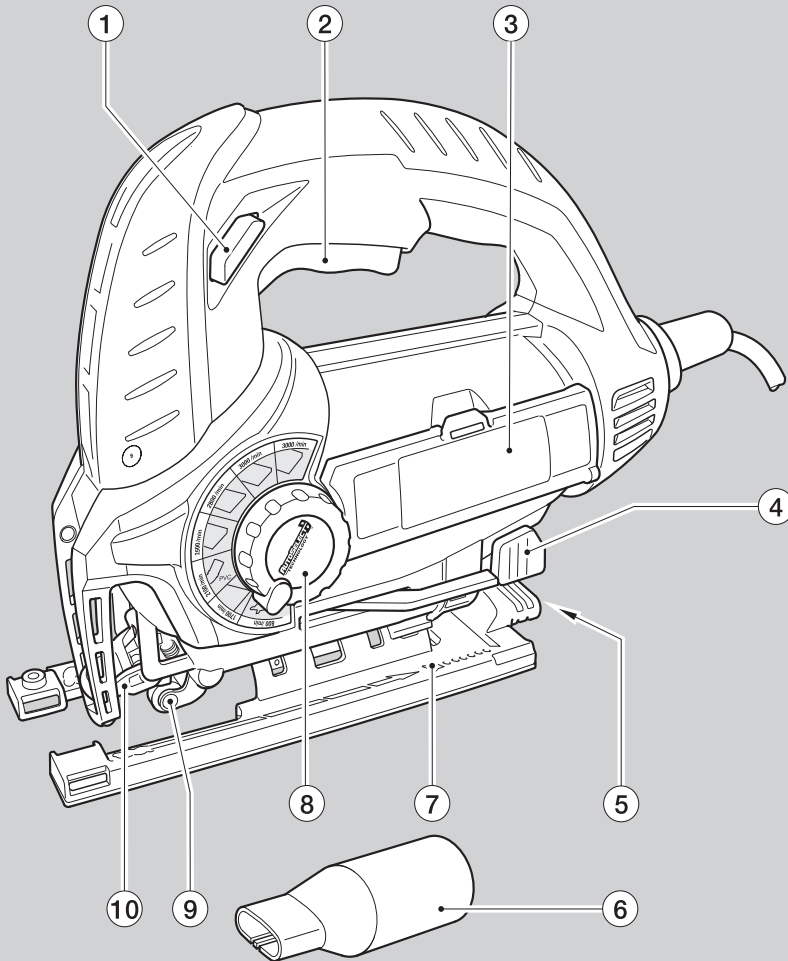




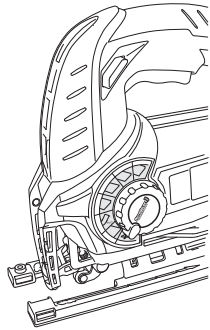
BLACK & DECKER®



www.blackanddecker.eu

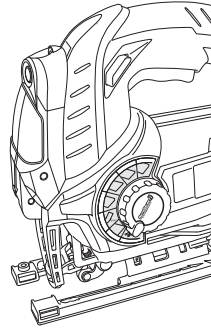
KS800S
KS800SL

English	(Original instructions)	6
Deutsch	(Übersetzung der Originalanleitung)	13
Français	(Traduction des instructions d'origine)	22
Česky	(Přeloženo z původního návodu)	31
Magyar	(Fordítás az eredeti kezelési utasítás alapján készült)	39
Polski	(Tłumaczenie oryginalnej instrukcji)	48
Slovenčina	(Preložené z pôvodného návodu)	57
Русский язык	(Перевод с оригинала инструкции)	65
Українська	(Переклад оригінальних інструкцій)	75
Türkçe	(Çevirisi orijinal talimatlardan yapılmıştır)	85

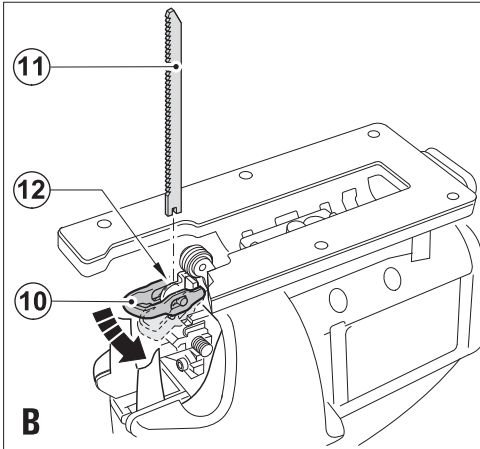


A

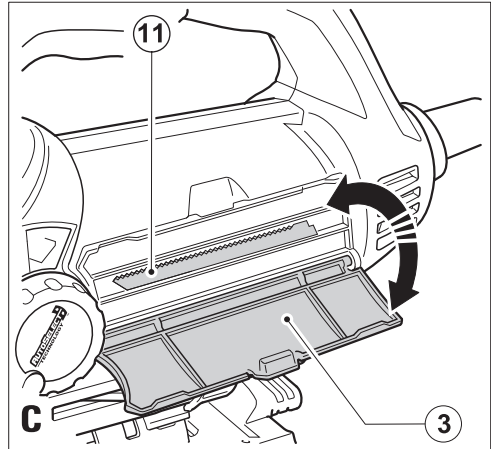
KS800S



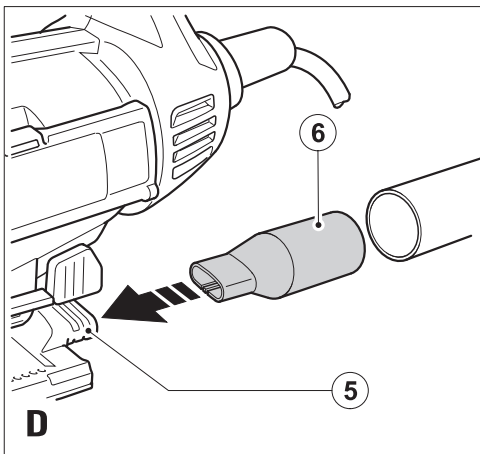
KS800SL



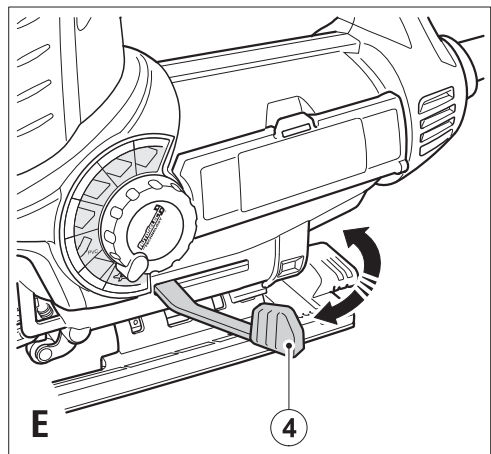
B



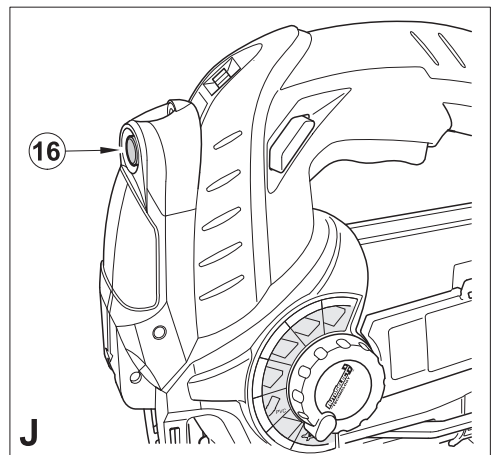
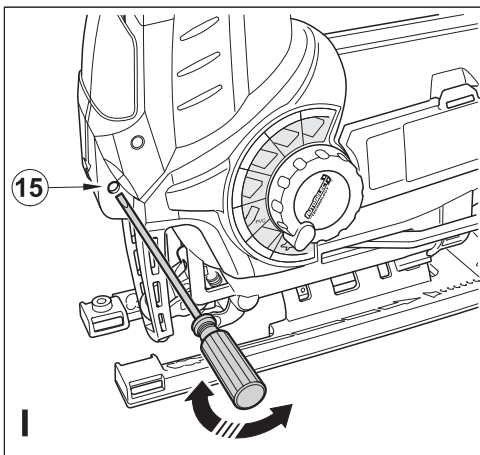
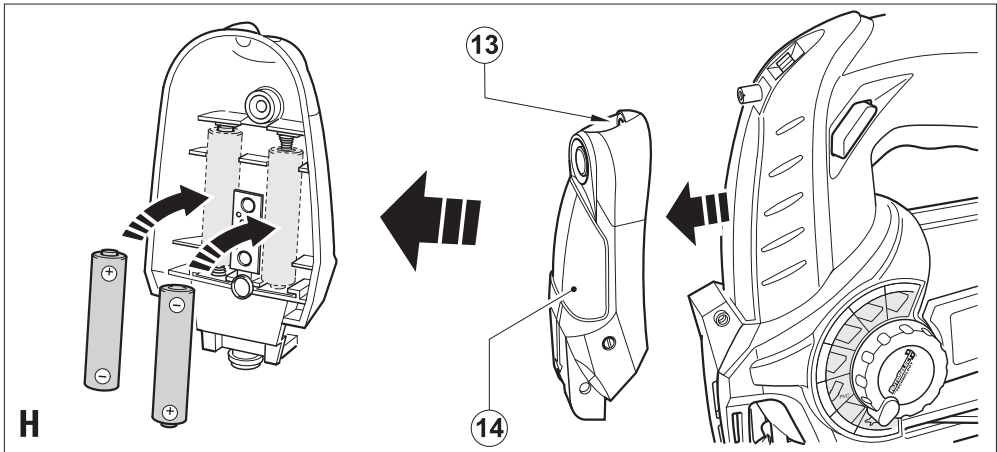
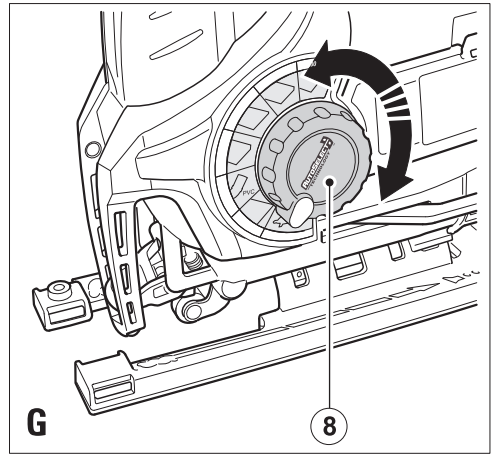
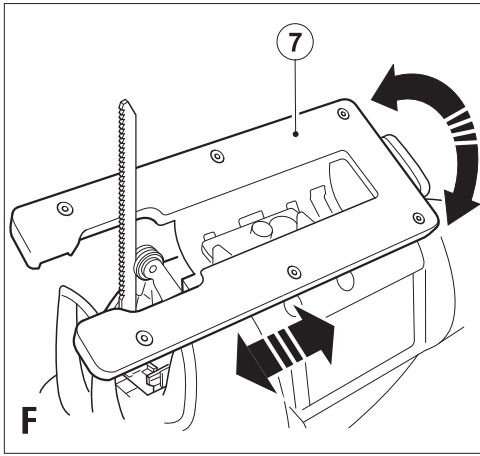
C

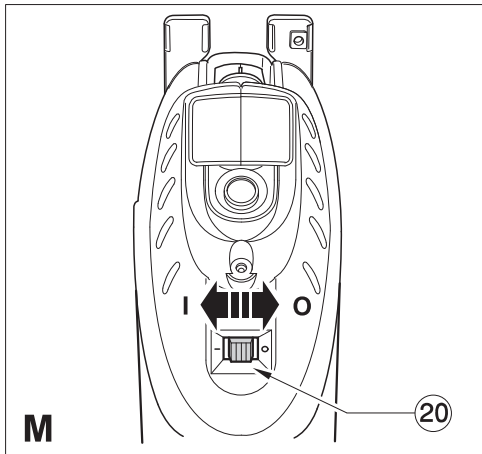
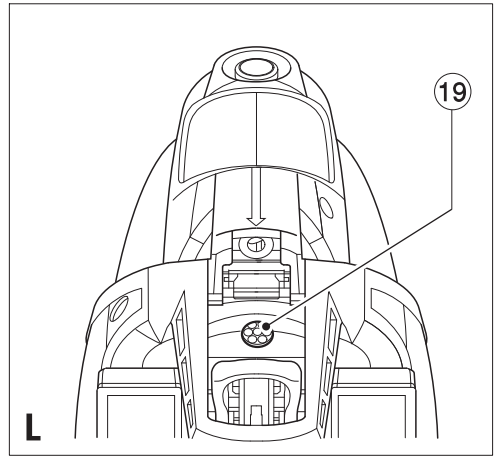
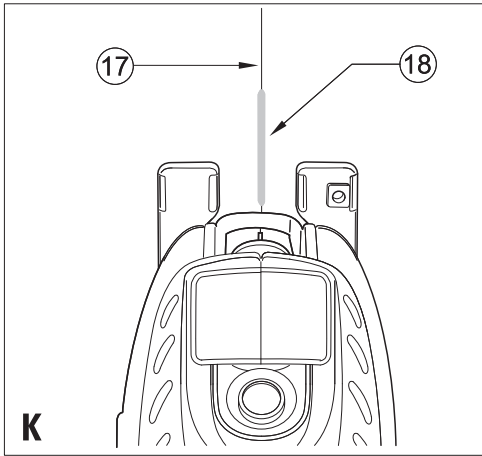


D



E





Intended use

Your Black & Decker jigsaw has been designed for sawing wood, plastics and metal. This tool is intended for consumer use only.

Safety instructions

General power tool safety warnings



Warning! Read all safety warnings and all instructions. Failure to follow all instructions may result in electric shock, fire and/or serious injury.

Save all warnings and instructions for future reference. The term “power tool” in all of the warnings listed below refers to your mains operated (corded) power tool or battery operated (cordless) power tool.

1. Work area safety

- a. **Keep work area clean and well lit.** Cluttered and dark areas invite accidents.
- b. **Do not operate power tools in explosive atmospheres, such as in the presence of flammable liquids, gases or dust.** Power tools create sparks which may ignite the dust or fumes.
- c. **Keep children and bystanders away while operating a power tool.** Distractions can cause you to lose control.

2. Electrical safety

- a. **Power tool plugs must match the outlet. Never modify the plug in any way. Do not use any adapter plugs with earthed (grounded) power tools.** Unmodified plugs and matching outlets will reduce risk of electric shock.
- b. **Avoid body contact with earthed or grounded surfaces such as pipes, radiators, ranges and refrigerators.** There is an increased risk of electric shock if your body is earthed or grounded.
- c. **Do not expose power tools to rain or wet conditions.** Water entering a power tool will increase the risk of electric shock.
- d. **Do not abuse the cord. Never use the cord for carrying, pulling or unplugging the power tool. Keep cord away from heat, oil, sharp edges or moving parts.** Damaged or entangled cords increase the risk of electric shock.
- e. **When operating a power tool outdoors, use an extension cord suitable for outdoor use.**

Use of a cord suitable for outdoor use reduces the risk of electric shock.

- f. **If operating a power tool in a damp location is unavoidable, use a Residual Current Device (RCD) protected supply.** Use of an RCD reduces the risk of electric shock.

3. Personal safety

- a. **Stay alert, watch what you are doing and use common sense when operating a power tool. Do not use a power tool while you are tired or under the influence of drugs, alcohol or medication.** A moment of inattention while operating power tools may result in serious personal injury.
 - b. **Use personal protective equipment. Always wear eye protection.** Protective equipment such as dust mask, non-skid safety shoes, hard hat, or hearing protection used for appropriate conditions will reduce personal injuries.
 - c. **Prevent unintentional starting. Ensure the switch is in the off-position before connecting to power source and/or battery pack, picking up or carrying the tool.** Carrying power tools with your finger on the switch or energising power tools that have the switch on invites accidents.
 - d. **Remove any adjusting key or wrench before turning the power tool on.** A wrench or a key left attached to a rotating part of the power tool may result in personal injury.
 - e. **Do not overreach. Keep proper footing and balance at all times.** This enables better control of the power tool in unexpected situations.
 - f. **Dress properly. Do not wear loose clothing or jewellery. Keep your hair, clothing and gloves away from moving parts.** Loose clothes, jewellery or long hair can be caught in moving parts.
 - g. **If devices are provided for the connection of dust extraction and collection facilities, ensure these are connected and properly used.** Use of these devices can reduce dust related hazards
- #### 4. Power tool use and care
- a. **Do not force the power tool. Use the correct power tool for your application.** The correct power tool will do the job better and safer at the rate for which it was designed.
 - b. **Do not use the power tool if the switch does not turn it on and off.** Any power tool

that cannot be controlled with the switch is dangerous and must be repaired.

- c. **Disconnect the plug from the power source and/or the battery pack from the power tool before making any adjustments, changing accessories, or storing power tools.** Such preventive safety measures reduce the risk of starting the power tool accidentally.
 - d. **Store idle power tools out of the reach of children and do not allow persons unfamiliar with the power tool or these instructions to operate the power tool.** Power tools are dangerous in the hands of untrained users.
 - e. **Maintain power tools. Check for misalignment or binding of moving parts, breakage of parts and any other condition that may affect the power tools operation. If damaged, have the power tool repaired before use.** Many accidents are caused by poorly maintained power tools.
 - f. **Keep cutting tools sharp and clean.** Properly maintained cutting tools with sharp cutting edges are less likely to bind and are easier to control.
 - g. **Use the power tool, accessories and tool bits etc. in accordance with these instructions, taking into account the working conditions and the work to be performed.** Use of the power tool for operations different from those intended could result in a hazardous situation.
5. **Service**
- a. **Have your power tool serviced by a qualified repair person using only identical replacement parts.** This will make sure that the safety of the power tool is maintained.

Additional power tool safety warnings



Warning! Additional safety warnings for jigsaws.

- ◆ **Hold the tool by the insulated gripping surfaces when performing an operation where the cutting tool may contact hidden wiring or its own cord.** Contact with a “live” wire will make exposed metal parts of the tool “live” and shock the operator.
- ◆ **Use clamps or another practical way to secure and support the workpiece to a stable platform.** Holding the work by hand or

against your body leaves it unstable and may lead to loss of control.

- ◆ **Keep hands away from cutting area.** Never reach underneath the work piece any reason. Do not insert fingers or thumb into the vicinity of the reciprocating blade and blade clamp. Do not stabilize the saw by gripping the shoe.
- ◆ **Keep blades sharp.** Dull or damaged blades may cause the saw to swerve or stall under pressure. Always use the appropriate type of saw blade for the workpiece material and type of cut.
- ◆ **When cutting pipe or conduit, make sure that they are free from water, electrical wiring, etc.**
- ◆ **Do not touch the workpiece or the blade immediately after operating the tool.** They can become very hot.
- ◆ **Be aware of hidden hazards, before cutting into walls, floors or ceilings, check for the location of wiring and pipes.**
- ◆ **The blade will continue to move after releasing the switch.** Always switch the tool off and wait for the saw blade to come to a complete standstill before putting the tool down.

Warning! Contact with, or inhalation of dusts arising from cutting applications may endanger the health of the operator and possible bystanders. Wear a dust mask specifically designed for protection against dust and fumes and ensure that persons within or entering the work area are also protected.

- ◆ The intended use is described in this instruction manual. The use of any accessory or attachment or performance of any operation with this tool other than those recommended in this instruction manual may present a risk of personal injury and/or damage to property.

Safety of others

- ◆ This appliance is not intended for use by persons (including children) with reduced physical, sensory or mental capabilities, or lack of experience and knowledge, unless they have been given supervision or instruction concerning the use of the appliance by a person responsible for their safety.
- ◆ Children should be supervised to ensure that they do not play with the appliance.

Vibration

The declared vibration emission values stated in the technical data and the declaration of conformity have been measured in accordance with a standard test method provided by EN 60745 and may be used for comparing one tool with another. The declared vibration emission value may also be used in a preliminary assessment of exposure.

Warning! The vibration emission value during actual use of the power tool can differ from the declared value depending on the ways in which the tool is used. The vibration level may increase above the level stated.

When assessing vibration exposure to determine safety measures required by 2002/44/EC to protect persons regularly using power tools in employment, an estimation of vibration exposure should consider, the actual conditions of use and the way the tool is used, including taking account of all parts of the operating cycle such as the times when the tool is switched off and when it is running idle in addition to the trigger time.

Labels on tools



Warning! To reduce the risk of injury, the user must read the instruction manual.

Electrical safety



This tool is double insulated; therefore no earth wire is required. Always check that the power supply corresponds to the voltage on the rating plate.

- ◆ If the supply cord is damaged, it must be replaced by the manufacturer or an authorised Black & Decker Service Centre in order to avoid a hazard.

Additional safety instructions for non-rechargeable batteries

- ◆ Never attempt to open for any reason.
- ◆ Do not store in locations where the temperature may exceed 40 °C.
- ◆ When disposing of batteries, follow the instructions given in the section "Protecting the environment".

Do not incinerate the batteries.

- ◆ Under extreme conditions, battery leakage may occur. When you notice liquid on the batteries, proceed as follows:
 - Carefully wipe the liquid off using a cloth. Avoid skin contact.

Additional safety instructions for lasers



Read all of this manual carefully.



This product is not to be used by children under 16.



Laser radiation.



Do not look into the laser beam.



Do not use optical tools to view the laser beam.

- ◆ This laser complies with class 2 according to EN60825-1: 2007. Do not replace a laser diode with a different type. If the laser is damaged, have the laser repaired by an authorised repair agent.
- ◆ Do not use the laser for any purpose other than projecting laser lines.
- ◆ An exposure of the eye to the beam of a class 2 laser is considered safe for a maximum of 0.25 seconds. Eyelid reflexes will normally provide adequate protection. At distances greater than 1m, the laser complies with class 1 and is therefore considered completely safe.
- ◆ Never look into the laser beam directly and intentionally.
- ◆ Do not use optical tools to view the laser beam.
- ◆ Do not set up the tool where the laser beam can cross any person at head height.
- ◆ Do not let children come near the laser.

Features

1. Lock-on button
2. On/off switch
3. Blade storage compartment cover
4. Shoe plate locking lever
5. Dust extraction outlet
6. Dust extraction adaptor
7. Shoe plate
8. Auto Select™ dial
9. Blade support roller
10. Tool-free blade clamp

Additional features (fig. A)

Additional features may be applicable depending upon the product purchased. The additional features applicable to the catalogue number purchased are shown in fig. A.

Assembly

Warning! Before attempting any of the following operations, make sure that the tool is switched off and unplugged and that the saw blade has stopped. Used saw blades may be hot.

Fitting the saw blade (fig. B)

- ◆ Hold the saw blade (11) as shown, with the teeth facing forward.
- ◆ Push and hold the blade clamp (10) down.
- ◆ Insert the shank of the saw blade into the blade holder (12) as far as it will go.
- ◆ Release the blade clamp (10).

Saw blade storage (fig. C)

Saw blades (11) can be stored in the storage compartment located on the side of the tool.

- ◆ Open the cover (3) of the saw blade storage compartment by holding the tab on the top of the cover (3) and pulling it outward.
- ◆ The blades are retained in the compartment by a magnetic strip. To remove a blade, press down on one end of the blade to raise the other end, and remove.
- ◆ Close the cover (3) of the saw blade storage compartment and make sure that it is latched closed.

Warning! Close the compartment door securely before operating the saw.

Connecting a vacuum cleaner to the tool (fig. D)

An adaptor is required to connect a vacuum cleaner or dust extractor to the tool. The dust extraction adaptor (6) can be purchased from your local Black & Decker retailer.

- ◆ Push the adaptor (6) into the dust extraction outlet (5).
- ◆ Connect the vacuum cleaner hose to the adaptor (6).

Residual risks

Additional residual risks may arise when using the tool which may not be included in the enclosed safety warnings. These risks can arise from misuse, prolonged use etc.

Even with the application of the relevant safety regulations and the implementation of safety devices, certain residual risks cannot be avoided. These include:

- ◆ Injuries caused by touching any rotating/moving parts.
- ◆ Injuries caused when changing any parts, blades or accessories.

- ◆ Injuries caused by prolonged use of a tool. When using any tool for prolonged periods make sure you take regular breaks.
- ◆ Impairment of hearing.
- ◆ Health hazards caused by breathing dust developer when using your tool (example:- working with wood, especially oak, beech and MDF).

Use

Adjusting the shoe plate for bevel cuts (fig. E and F)

Warning! Never use the tool when the shoe plate is loose or removed.

The shoe plate (7) can be set to a left or right bevel angle of up to 45°.

- ◆ Pull the shoe plate locking lever (4) outwards to unlock the shoe plate (7) from the 0 deg position (fig. F).
 - ◆ Pull the shoe plate (7) forward and set the required bevel 15°, 30° and 45° indicated in the bevel angle window.
 - ◆ Push the shoe plate locking lever (4) back towards the saw to lock the shoe plate (7).
- To reset the shoe plate (7) for straight cuts:
- ◆ Pull the shoe plate locking lever (4) outwards to unlock the shoe plate (7).
 - ◆ Set the shoe plate (7) to an angle of 0° and push the shoe plate backwards.
 - ◆ Push the shoe plate locking lever (4) back towards the saw to lock the shoe plate (7).

How to use the Auto Select™ dial (fig. G)

This tool is fitted with a unique Auto Select™ Dial (8) to set the speed and the pendulum blade action for various cutting applications. To select the optimum speed and pendulum blade action for the type of material being cut, turn the dial (8) as shown in the table below:

	Icon	Application	Speed	Blade Type
		Kitchen work surfaces, work tops, laminate board	Fast speed	General wood
		Scrolling/curves/craftwork, hardwoods, decking, flooring	Fast speed	Scrolling wood General wood
		Plywood and wood panels	Fast speed	General wood
		General timber, soft wood, fast rip cutting	Fast speed	General wood
		Plastics, Perspex, PVC	Medium speed	General purpose
		Sheet metal tin plate, ceramic tile, fibreglass sheet	Low speed	Metal or ceramic or fibreglass blade
		Slow speed, precision start	Slow speed	Choose the correct blade for the application

Switching on and off

- ◆ To switch the tool on, press the on/off switch (2).
- ◆ To switch the tool off, release the on/off switch (2).
- ◆ For continuous operation, press the lock-on button (1) and release the on/off switch (2).
- ◆ To switch the tool off when in continuous operation, press the on/off switch (2) and release it.

Sawing

Hold the tool firmly with both hands while cutting. The shoe plate (7) should be held firmly against the material being cut. This will help prevent the saw from jumping, reduce vibration and minimise blade breakage.

- ◆ Let the blade run freely for a few seconds before starting the cut.
- ◆ Apply only a gentle pressure to the tool while performing the cut.

Operating the laser (fig. H - K) ('L' units only)

Installing the batteries (fig. H)

Detach the laser module (14) from the jigsaw by removing the screw (13) and pulling the laser module forward. Insert two new 1.5 Volt AAA alkaline batteries, making sure to match the (+) and (-) terminals correctly. Re-attach the laser module (14).

Adjusting the laser side-to-side (fig. I)

Note: The laser is intended as a cutting aid and does not guarantee a precise cut.

Warning! Do not adjust the laser with the jigsaw plugged in.

- ◆ Use the laser adjustment screw (15) to align the laser line with the saw blade if needed.

The laser visibility (power) will be reduced if the jigsaw is overheated. The laser may not be visible when the saw is overloaded for a prolonged period of time. The laser visibility will gradually return to

normal when the tool cools down even when the tool is unplugged.

Warning! Do not leave the overheated laser switched ON. Make sure that the switch is in the OFF position and remove the batteries to remove power from the laser.

Using the laser (fig. J and K)

The laser projects the line of cut (18) on to the surface of the workpiece.

- ◆ To switch the laser on, press the button (16).
- ◆ To switch the laser off, press the button (16) again.

Viewing from directly above the jigsaw, the line of cut (17) can be easily followed. Should this view be restricted for any reason, the laser can be used as an alternative cutting guide.

- ◆ Use a pencil to mark the cutting line (17).
- ◆ Position the jigsaw over the line (17).
- ◆ Switch on the laser.

Operating the work light (fig. L and M) ('W' units only)

Units that include a 'W' in the catalogue number are provided with an LED light (19) to illuminate the area around the blade.

- ◆ To switch the work light on, slide the switch (20) to the on position (I).
- ◆ To switch the work light off, slide the switch (20) to the off position (0).

Hints for optimum use

Sawing laminates

When cutting laminates, splintering may occur which can damage the presentation surface. The most common saw blades cut on the upward stroke, therefore if the shoe plate is sitting on the presentation surface either use a saw blade that cuts on the downward stroke or:

- ◆ Use a fine-tooth saw blade.
- ◆ Saw from the back surface of the workpiece.
- ◆ To minimise splintering, clamp a piece of scrap wood or hardboard to both sides of the workpiece and saw through this sandwich.

Sawing metal

Be aware that sawing metal takes much more time than sawing wood.

- ◆ Use a saw blade suitable for sawing metal.
- ◆ When cutting thin sheet metal, clamp a piece of scrap wood to the back surface of the workpiece and cut through this sandwich.
- ◆ Spread a film of oil along the intended line of cut.

Maintenance

Your Black & Decker tool has been designed to operate over a long period of time with a minimum of maintenance.

Continuous satisfactory operation depends upon proper tool care and regular cleaning.

- ◆ Regularly clean the ventilation slots in your tool using a soft brush or dry cloth.
- ◆ Regularly clean the motor housing using a damp cloth. Do not use any abrasive or solvent-based cleaner. Never let any liquid get inside the tool and never immerse any part of the tool into liquid.

Mains plug replacement (U.K. & Ireland only)

If a new mains plug needs to be fitted:

- ◆ Safely dispose of the old plug.
- ◆ Connect the brown lead to the live terminal in the new plug.
- ◆ Connect the blue lead to the neutral terminal.

Warning! No connection is to be made to the earth terminal. Follow the fitting instructions supplied with good quality plugs. Recommended fuse: 5 A.

Protecting the environment



Separate collection. This product must not be disposed of with normal household waste.

Should you find one day that your Black & Decker product needs replacement, or if it is of no further use to you, do not dispose of it with household waste. Make this product available for separate collection.



Separate collection of used products and packaging allows materials to be recycled and used again. Reuse of recycled materials helps prevent environmental pollution and reduces the demand for raw materials.

Local regulations may provide for separate collection of electrical products from the household, at municipal waste sites or by the retailer when you purchase a new product. Black & Decker provides a facility for the collection and recycling of Black & Decker products once they have reached the end of their working life. To take advantage of this service please return your product to any authorised repair agent who will collect them on our behalf.

You can check the location of your nearest authorised repair agent by contacting your local

ENGLISH

Black & Decker office at the address indicated in this manual. Alternatively, a list of authorised Black & Decker repair agents and full details of our after-sales service and contacts are available on the Internet at: www.2helpU.com.

Batteries



At the end of their useful life, discard batteries with due care for our environment.:

- ◆ Do not short-circuit the battery terminals.
- ◆ Do not dispose of the battery(s) in a fire as this may result in a risk of personal injury or an explosion.

Technical data

	KS800S	KS800SL	TYPE1
Voltage	V _{AC}	230	
Rated input	W	520	
No-load speed	min ⁻¹	800-3000	
Max. depth of cut			
Wood	mm	70	
Steel	mm	5	
Aluminium	mm	15	
Weight	kg	2.2	

Level of sound pressure according to EN 60745:
Sound pressure (L_{pA}) 89 dB(A), uncertainty (K) 3 dB(A), Acoustic power (L_{WA}) 100 dB(A), uncertainty (K) 3 dB(A)

Vibration total values (triax vector sum) according to EN 60745:

Cutting wood ($a_{h,CW}$) 6.0 m/s², uncertainty (K) 1.5 m/s², Cutting metal ($a_{h,CM}$) 6.5 m/s², uncertainty (K) 1.5 m/s²

EC declaration of conformity MACHINERY DIRECTIVE



KS800S, KS800SL

Black & Decker declares that these products described under „technical data“ are in compliance with: 2006/42/EC, EN60745-1, EN60745-2-11

These products also comply with Directive 2004/108/EC and 2011/65/EU.

For more information, please contact Black & Decker at the following address or refer to the back of the manual.

The undersigned is responsible for compilation of the technical file and makes this declaration on behalf of Black & Decker

Kevin Hewitt
Vice-President Global
Engineering
Black & Decker Europe, 210 Bath Road, Slough,
Berkshire, SL1 3YD, United Kingdom
23-04-2012

Guarantee

Black & Decker is confident of the quality of its products and offers an outstanding guarantee. This guarantee statement is in addition to and in no way prejudices your statutory rights. The guarantee is valid within the territories of the Member States of the European Union and the European Free Trade Area.

If a Black & Decker product becomes defective due to faulty materials, workmanship or lack of conformity, within 24 months from the date of purchase, Black & Decker guarantees to replace defective parts, repair products subjected to fair wear and tear or replace such products to make sure of the minimum inconvenience to the customer unless:

- ◆ The product has been used for trade, professional or hire purposes.
- ◆ The product has been subjected to misuse or neglect.
- ◆ The product has sustained damage through foreign objects, substances or accidents.
- ◆ Repairs have been attempted by persons other than authorised repair agents or Black & Decker service staff.

To claim on the guarantee, you will need to submit proof of purchase to the seller or an authorised repair agent. You can check the location of your nearest authorised repair agent by contacting your local Black & Decker office at the address indicated in this manual. Alternatively, a list of authorised Black & Decker repair agents and full details of our aftersales service and contacts are available on the Internet at: www.2helpU.com

Please visit our website

www.blackanddecker.co.uk to register your new Black & Decker product and to be kept up to date on new products and special offers. Further information on the Black & Decker brand and our range of products is available at www.blackanddecker.co.uk.

Bestimmungsgemäße Verwendung

Ihre Black & Decker Stichsäge wurde zum Sägen von Holz, Kunststoff und Metallblechen entwickelt. Dieses Gerät ist nicht für den gewerblichen Einsatz vorgesehen.

Sicherheitshinweise

Allgemeine Sicherheitswarnungen für das Gerät



Achtung! Sämtliche Sicherheitswarnungen und Anweisungen sind zu lesen. Die Nichteinhaltung der aufgeführten Anweisungen kann einen elektrischen Schlag, Brand und/oder schwere Verletzungen verursachen.

Bewahren Sie alle Sicherheitswarnungen und Anweisungen gut auf. Der nachfolgend verwendete Begriff „Gerät“ bezieht sich auf netzbetriebene Geräte (mit Netzkabel) und auf akkubetriebene Geräte (ohne Netzkabel).

1. Sicherheit im Arbeitsbereich

- a. **Halten Sie Ihren Arbeitsbereich sauber und gut ausgeleuchtet.** Unordnung und dunkle Arbeitsbereiche können zu Unfällen führen.
- b. **Arbeiten Sie mit Geräten nicht in explosionsgefährdeter Umgebung, in der sich brennbare Flüssigkeiten, Gase oder Stäube befinden.** Geräte erzeugen Funken, die den Staub oder die Dämpfe entzünden können.
- c. **Halten Sie Kinder und andere Personen während der Benutzung eines Geräts fern.** Bei Ablenkung können Sie die Kontrolle verlieren.

2. Elektrische Sicherheit

- a. **Der Netzstecker des Geräts muss in die Steckdose passen. Der Stecker darf in keiner Weise verändert werden. Verwenden Sie für schutzgeerdete Geräte keine Adapterstecker.** Unveränderte Stecker und passende Steckdosen verringern das Risiko eines elektrischen Schlages.
- b. **Vermeiden Sie Körperkontakt mit geerdeten Oberflächen von Rohren, Heizungen, Herden und Kühlschränken.** Es besteht ein erhöhtes Risiko eines elektrischen Schlages, wenn Ihr Körper geerdet ist.
- c. **Halten Sie Geräte von Regen und Nässe fern.** Das Eindringen von Wasser in ein Gerät erhöht das Risiko eines elektrischen Schlages.

- d. **Verwenden Sie das Kabel ordnungsgemäß. Verwenden Sie es niemals zum Tragen.**

Trennen Sie das Gerät nicht durch Ziehen am Kabel vom Netz. Halten Sie das Kabel fern von Hitze, Öl, scharfen Kanten oder sich bewegenden Teilen. Beschädigte oder verwickelte Kabel erhöhen das Risiko eines elektrischen Schlages.

- e. **Wenn Sie mit einem Gerät im Freien arbeiten, verwenden Sie nur Verlängerungskabel, die auch für den Außenbereich zugelassen sind.** Die Verwendung eines für den Außenbereich geeigneten Verlängerungskabels verringert das Risiko eines elektrischen Schlages.
- f. **Wenn das Gerät in einer feuchten Umgebung verwendet werden muss, schließen Sie es unbedingt an eine Steckdose mit Fehlerstromschutzschalter (RCD) an.** Die Verwendung eines Fehlerstromschutzschalters verringert das Risiko eines elektrischen Schlages.

3. Sicherheit von Personen

- a. **Seien Sie aufmerksam, achten Sie darauf, was Sie tun, und gehen Sie vernünftig mit dem Gerät um. Benutzen Sie das Gerät nicht, wenn Sie müde sind oder unter dem Einfluss von Drogen, Alkohol oder Medikamenten stehen.** Ein Moment der Unachtsamkeit beim Gebrauch von Geräten kann zu ernsthaften Verletzungen führen.
- b. **Verwenden Sie eine geeignete Schutzausrüstung. Tragen Sie stets eine Schutzbrille.** Schutzausrüstung wie Staubmaske, rutschfeste Sicherheitsschuhe, Schutzhelm oder Gehörschutz, je nach Art und Einsatz des Geräts, verringert das Risiko von Verletzungen.
- c. **Vermeiden Sie eine unbeabsichtigte Inbetriebnahme. Vergewissern Sie sich, dass das Gerät ausgeschaltet ist, bevor Sie es an eine Steckdose oder einen Akku schließen, es hochheben oder tragen.** Durch das Tragen des Geräts mit dem Finger am Schalter oder durch das Anschließen eingeschalteter Geräte werden Unfälle provoziert.
- d. **Entfernen Sie Einstell- oder Schraubenschlüssel, bevor Sie das Gerät einschalten.** Ein Schlüssel in einem sich drehenden Teil kann zu Verletzungen führen.

- e. **Strecken Sie sich nicht zu weit nach vorne. Achten Sie auf einen sicheren Stand, um in jeder Arbeitsposition das Gleichgewicht zu halten.** Dadurch können Sie das Gerät in unerwarteten Situationen besser unter Kontrolle halten.
 - f. **Tragen Sie geeignete Kleidung. Tragen Sie keine weite Kleidung oder Schmuck. Halten Sie Haare, Kleidung und Handschuhe fern von sich bewegenden Teilen.** Lockere Kleidung, Schmuck oder lange Haare können von sich bewegenden Teilen erfasst werden.
 - g. **Falls Staubabsaug- und -fangvorrichtungen vorhanden sind, vergewissern Sie sich, dass diese angeschlossen sind und richtig verwendet werden.** Diese Vorrichtungen verringern Gefährdungen durch Staub.
- 4. Gebrauch und Pflege von Geräten**
- a. **Überlasten Sie das Gerät nicht. Verwenden Sie das für Ihre Arbeit passende Gerät.** Durch das Arbeiten in dem für das Gerät angegebenen Leistungsbereich erzielen Sie nicht nur optimale Ergebnisse, Sie erhöhen auch die Sicherheit.
 - b. **Verwenden Sie das Gerät nicht, wenn der Ein-/ Ausschalter nicht funktioniert.** Ein Gerät, das sich nicht mehr ein- oder ausschalten lässt, ist gefährlich und muss repariert werden.
 - c. **Ziehen Sie den Stecker aus der Steckdose oder trennen Sie das Gerät vom Akku, bevor Sie Einstellungen vornehmen, Zubehörteile wechseln oder das Gerät weglegen.** Diese Vorsichtsmaßnahme verhindert den unbeabsichtigten Start des Geräts.
 - d. **Bewahren Sie unbenutzte Geräte außerhalb der Reichweite von Kindern auf. Lassen Sie Geräte nicht von Personen benutzen, die damit nicht vertraut sind oder diese Anweisungen nicht gelesen haben.** Geräte sind gefährlich, wenn sie von unerfahrenen Personen benutzt werden.
 - e. **Halten Sie Geräte in einem einwandfreien Zustand. Kontrollieren Sie, ob bewegliche Teile falsch ausgerichtet sind oder klemmen und ob Teile gebrochen oder so beschädigt sind, dass die Funktion des Geräts beeinträchtigt ist. Lassen Sie beschädigte Geräte vor dem Gebrauch reparieren.** Viele Unfälle haben ihre Ursache in schlecht gewarteten Geräten.
 - f. **Halten Sie Schneidwerkzeuge scharf und sauber.** Sorgfältig gepflegte Schneidwerkzeuge mit scharfen Schneidkanten verkleben sich weniger und sind leichter zu führen.
 - g. **Verwenden Sie Gerät, Zubehör, Einsatz-Bits usw. entsprechend diesen Anweisungen, und berücksichtigen Sie dabei die Arbeitsbedingungen und die auszuführende Arbeit.** Der Gebrauch von Geräten für andere als die vorgesehenen Anwendungen kann zu gefährlichen Situationen führen.
- 5. Service**
- a. **Lassen Sie das Gerät nur von qualifiziertem Fachpersonal und nur mit Originalersatzteilen reparieren.** Die Sicherheit des Geräts bleibt so erhalten.

Zusätzliche Sicherheitswarnungen für das Gerät



Achtung! Zusätzliche Sicherheitswarnungen für Stichsagen.

- ◆ **Halten Sie das Gerät an den isolierten Griffflächen, wenn Sie Arbeiten ausführen, bei denen das Sägeblatt ein verdecktes Kabel oder das Gerätekabel berühren könnte.** Bei Kontakt mit unter Spannung stehenden Kabeln überträgt sich diese Spannung auf offen liegende Metallteile am Gerät und führt beim Bedienen zum Stromschlag.
- ◆ **Fixieren Sie das Werkstück mit Zwingen oder ähnlichen Hilfsmitteln auf einer stabilen Oberfläche.** Wenn Sie das Werkstück nur mit den Händen oder gegen Ihren Körper halten, können Sie leicht die Kontrolle verlieren.
- ◆ **Halten Sie Ihre Hände von der Schneidzone fern.** Greifen Sie niemals unter das zu schneidende Werkstück. Bringen Sie Finger und Daumen nicht in die Nähe des sich bewegenden Sägeblatts und dessen Klemme. Versuchen Sie nicht, die Säge zu stabilisieren, indem Sie diese am Sägeschuh festhalten.
- ◆ **Halten Sie die Sägeblätter scharf.** Stumpfe oder beschädigte Sägeblätter können dazu führen, dass die Säge unter Druck blockiert oder ausbricht. Verwenden Sie immer ein für das jeweilige Werkstück und die Art des Schnittes geeignetes Sägeblatt.
- ◆ **Achten Sie beim Sägen von Röhren oder Leitungen darauf, dass diese frei von Wasser, Stromkabeln und Ähnlichem sind.**

- ◆ **Unmittelbar nach Gebrauch der Säge sollten Sie weder das Werkstück noch das Sägeblatt berühren.** Beides kann sehr heiß werden.
- ◆ **Achten Sie auch auf nicht sichtbare Gefahren, wenn Sie in Wände, Böden oder Decken sägen. Prüfen Sie diese Stellen auf dahinter liegende Kabel oder Rohre.**
- ◆ **Das Sägeblatt bewegt sich auch dann noch, wenn Sie den Schalter losgelassen haben.** Schalten Sie das Gerät vor dem Ablegen stets aus, und warten Sie, bis das Sägeblatt zum Stillstand gekommen ist.

Achtung! Die Berührung und das Einatmen von Stäuben, die beim Sägen von Materialien entstehen, können beim Bediener und bei Zuschauern gesundheitliche Schäden verursachen. Tragen Sie eine speziell für den Schutz vor Stäuben und Dämpfen vorgesehene Staubmaske, und stellen Sie sicher, dass auch andere Personen geschützt sind, die den Arbeitsplatz betreten oder sich dort aufhalten.

- ◆ Der vorgesehene Verwendungszweck ist in dieser Anleitung beschrieben. Die Verwendung von Zubehör oder Anbauteilen, die nicht in dieser Anleitung empfohlen sind, sowie die Bedienung des Geräts in Abweichung von den in dieser Anleitung beschriebenen Verfahren kann zu Verletzungen und/oder Sachschäden führen.

Sicherheit anderer Personen

- ◆ Dieses Gerät darf nicht von Personen (einschließlich Kindern) mit eingeschränkten körperlichen, sensorischen oder geistigen Fähigkeiten oder mangelnder Erfahrung und Wissen in Bezug auf dessen Gebrauch bedient werden, es sei denn, sie werden bei der Verwendung des Geräts von einer erfahrenen Person beaufsichtigt oder angeleitet.
- ◆ Kinder müssen beaufsichtigt werden, um sicherzustellen, dass sie nicht mit dem Gerät spielen.

Vibration

Die in den Abschnitten „Technische Daten“ und „EUKonformitätserklärung“ angegebenen Werte für die Vibrationsemission wurden mit einer Standard-Prüfmethode nach EN 60745 ermittelt und können zum Vergleich verschiedener Geräte herangezogen werden. Außerdem kann mit Hilfe dieses Werts die Belastung bei Verwendung des Geräts schon im Voraus eingeschätzt werden.

Achtung! Die bei Verwendung des Geräts auftretende Vibrationsemission hängt von der Art des Gerätegebrauchs ab und kann dementsprechend von dem angegebenen Wert abweichen. Gegebenenfalls kann die Vibration über dem angegebenen Wert liegen.

Mit Hilfe der ermittelten Werte der Vibrationsbelastung durch Elektrogeräte lassen sich Sicherheitsmaßnahmen festlegen, die gemäß 2002/44/EC zum Schutze von Personen bestimmt sind, die diese Geräte regelmäßig bei der Arbeit verwenden. Bei der Einschätzung der Vibrationsbelastung sollten die Gebrauchsumstände und die Art der Verwendung des Geräts sowie alle Schritte des Arbeitszyklus berücksichtigt werden, wozu Ruhe-, Leerlauf- und Startzeiten gehören.

Warnsymbole am Geräts



Achtung! Lesen Sie vor Gebrauch die Anleitung durch. Andernfalls besteht Verletzungsgefahr.

Elektrische Sicherheit



Dieses Gerät ist schutzisoliert, daher ist keine Erdleitung erforderlich. Überprüfen Sie immer, ob die Netzspannung der auf dem Typenschild des Geräts angegebenen Spannung entspricht.

- ◆ Ist das Netzkabel beschädigt, muss es durch den Hersteller oder eine Black & Decker Vertragswerkstatt ausgetauscht werden, um eine mögliche Gefährdung zu vermeiden.

Zusätzliche Sicherheitshinweise für nicht aufladbare Batterien

- ◆ Auf keinen Fall öffnen.
- ◆ Nicht bei Temperaturen über 40 °C lagern.
- ◆ Bei der Entsorgung von Batterien die Hinweise im Abschnitt „Umweltschutz“ beachten. Batterien nicht ins Feuer werfen.
- ◆ Unter extremen Bedingungen können Batterien undicht werden. Wenn Sie bemerken, dass Flüssigkeit austritt, gehen Sie folgendermaßen vor:
 - Wischen Sie die Flüssigkeit vorsichtig mit einem Tuch ab. Vermeiden Sie Hautkontakt.

Zusätzliche Sicherheitshinweise für Laserprodukte



Lesen Sie diese Anleitung vollständig und aufmerksam durch.



Das Gerät darf nicht von Personen unter 16 Jahren verwendet werden.



Laserstrahlung.



Blicken Sie nicht in den Laserstrahl.



Blicken Sie nicht unter Verwendung optischer Hilfsmittel in den Laserstrahl.

- ◆ Dieser Laser erfüllt die Richtlinien für Laserprodukte der Klasse 2 gemäß IEC60825-1:2007. Die Laserdiode des Geräts darf nicht durch eine Diode anderen Typs ersetzt werden. Im Schadensfall darf der Laser nur durch eine autorisierte Vertragswerkstatt repariert werden.
- ◆ Der Laser darf ausschließlich zum Projizieren einer Laserlinie verwendet werden.
- ◆ Die Strahlung von Laserprodukten der Klasse 2 ist bei kurzzeitiger Einwirkungsdauer (bis zu 0,25 Sekunden) für das Auge ungefährlich. Eine längere Bestrahlung wird normalerweise durch den natürlichen Lidschlussreflex verhindert. Ab einer Entfernung von 1 m erfüllt der Laser die Bedingungen für Laserprodukte der Klasse 1 und ist somit vollständig ungefährlich.
- ◆ Sehen Sie nie direkt und absichtlich in den Laserstrahl.
- ◆ Blicken Sie nicht unter Verwendung optischer Hilfsmittel in den Laserstrahl.
- ◆ Halten Sie das Gerät niemals so, dass die Augen anderer Personen dem Laserstrahl ausgesetzt sind.
- ◆ Achten Sie darauf, dass sich Kinder nicht in der Nähe des Lasers aufhalten.

Merkmale

1. Feststellknopf
2. Ein-/Ausschalter
3. Abdeckung des Aufbewahrungsfachs
4. Verriegelungshebel für Grundplatte
5. Staubabsaugöffnung
6. Staubsaugeradapter
7. Grundplatte
8. Auto Select™-Programmwahl

9. Sägeblattführungsrolle
10. Werkzeuglose Sägeblattklemme

Zusatzfunktionen (Abb. A)

Die Verfügbarkeit der Zusatzfunktionen ist abhängig vom jeweiligen Produkt. Die Zusatzfunktionen für die Katalognummer des erworbenen Geräts finden Sie in Abb. A.

Montage

Achtung! Vergewissern Sie sich vor Ausführung der folgenden Schritte, dass das Gerät ausgeschaltet und vom Stromnetz getrennt ist, und dass das Sägeblatt zum Stillstand gekommen ist. Nach Verwendung der Stichsäge kann das Sägeblatt heiß sein.

Einsetzen des Sägeblatts (Abb. B)

- ◆ Halten Sie das Sägeblatt (11) wie gezeigt mit den Zähnen nach vorne.
- ◆ Drücken Sie die Sägeblattklemme (10) nach unten, und halten Sie sie gedrückt.
- ◆ Setzen Sie den Schaft des Sägeblatts in den Sägeblatthalter (12) ein, und drücken Sie das Sägeblatt bis zum Anschlag hinein.
- ◆ Lassen Sie den Verriegelungshebel (10) los.

Aufbewahrung der Sägeblätter (Abb. C)

Die Sägeblätter können im Aufbewahrungsfach (3) seitlich am Gerät aufbewahrt werden.

- ◆ Öffnen Sie die Abdeckung (3) des Aufbewahrungsfachs, indem Sie die Lasche oben auf der Abdeckung (3) festhalten und herausziehen.
- ◆ Die Sägeblätter werden im Aufbewahrungsfach durch einen Magnetstreifen fixiert. Um ein Sägeblatt zu entnehmen, drücken Sie es an einer Seite nach unten und heben die andere Seite an.
- ◆ Schließen Sie die Abdeckung des Aufbewahrungsfachs (3), und achten Sie darauf, dass sie fest einrastet.

Achtung! Die Abdeckklappe muss sicher verschlossen sein, bevor Sie die Säge in Betrieb nehmen.

Anschließen eines Staubsaugers (Abb. D)

Zum Anschließen eines Staubsaugers oder einer Absaugvorrichtung ist ein Staubsaugeradapter erforderlich. Der Staubsaugeradapter (6) ist bei Ihrem Black & Decker Händler erhältlich.

- ◆ Schieben Sie den Adapter (6) in die Staubabsaugöffnung (5).

- ◆ Verbinden Sie den Schlauch des Staubsaugers mit dem Adapter (6).
- ◆ Schwenken Sie die Grundplatte (7) zurück in die Ausgangsstellung (Winkel von 0°), und schieben Sie sie nach hinten.
- ◆ Drücken Sie den Verriegelungshebel für die Grundplatte (4) wieder zum Gerät hin, um die Grundplatte (7) zu verriegeln.

Restrisiken

Für den Gebrauch dieses Geräts verbleiben zusätzliche Restrisiken, die möglicherweise nicht in den Sicherheitswarnungen genannt werden. Diese Risiken bestehen beispielsweise bei Missbrauch oder längerem Gebrauch.

Auch bei der Einhaltung der entsprechenden Sicherheitsvorschriften und der Verwendung aller Sicherheitsgeräte bestehen weiterhin bestimmte Restrisiken. Diese werden im Folgenden aufgeführt:

- ◆ Verletzungen, die durch das Berühren von sich drehenden/bewegenden Teilen verursacht werden.
- ◆ Verletzungen, die durch das Austauschen von Teilen, Messern oder Zubehör verursacht werden.
- ◆ Verletzungen, die durch längeren Gebrauch eines Geräts verursacht werden. Legen Sie bei längerem Gebrauch regelmäßige Pausen ein.
- ◆ Beeinträchtigung des Gehörs.
- ◆ Gesundheitsrisiken durch das Einatmen von Staub beim Gebrauch des Geräts (Beispielsweise bei Holzarbeiten, insbesondere Eiche, Buche und Pressspan).

Gebrauch

Schwenken der Grundplatte für Gehrungsschnitte (Abb. E und F)

Achtung! Betreiben Sie das Gerät nicht mit loser oder abgenommener Grundplatte.

Die Grundplatte (7) kann nach links und rechts bis zu einem Winkel von 45° geschwenkt werden.

- ◆ Ziehen Sie den Verriegelungshebel für die Grundplatte (4) heraus, um die Grundplatte (7) aus der Null-Grad- Position zu lösen (Abb. F).
- ◆ Ziehen Sie die Grundplatte (7) nach vorn, und stellen Sie den gewünschten Gehrungswinkel ein (15°, 30° oder 45°), der im Fenster angezeigt wird.
- ◆ Drücken Sie den Verriegelungshebel für die Grundplatte (4) wieder zum Gerät hin, um die Grundplatte (7) zu verriegeln.

So bringen Sie die Grundplatte (7) wieder in die Position für gerade Schnitte:

- ◆ Ziehen Sie den Verriegelungshebel für die Grundplatte (4) heraus, um die Grundplatte (7) zu entriegeln.

Verwenden der Auto Select™ -Programmwahl (Abb. G)

Dieses Gerät verfügt über eine einzigartige Auto Select™-Programmwahlfunktion (8), um Geschwindigkeit und Pendelhub für verschiedene Schneidarbeiten einzustellen. Um Geschwindigkeit und Pendelhub optimal auf das zu bearbeitende Material abzustimmen, drehen Sie den Wahlschalter (8) gemäß der folgenden Tabelle auf die gewünschte Position:

	Symbol	Anwendungszweck	Geschwindigkeit	Sägeblatt-Typ
		Küchen-Arbeitsflächen, Arbeitsplatten, Laminat	Hoch	Holz allgemein
		Laubsägearbeiten, gewölbte Oberflächen, Hartholz, Decken- und Fußbodenarbeiten	Hoch	Laubsägen in Holz Holz allgemein
		Sperrholz und Holzpaneele	Hoch	Holz allgemein
		Holz allgemein, Weichholz, schnelle Längsschnitte	Hoch	Holz allgemein
		Kunststoffe, Plexiglas, PVC	Mittel	Allgemein
		Metallblech, Keramikfliesen, GFK-Platten	Niedrig	Sägeblatt für Metall, Keramik oder Glasfaser
		Minimalgeschwindigkeit, Feinstart	Sehr niedrig	geeignetes Sägeblatt verwenden

Ein- und Ausschalten

- ◆ Drücken Sie zum Einschalten des Geräts den Ein-/ Ausschalter (2).
- ◆ Lassen Sie zum Ausschalten des Geräts den Ein-/ Ausschalter (4) los.
- ◆ Drücken Sie zum Arbeiten im Dauerbetrieb die Feststelltaste (1) und lassen den Ein-/ Ausschalter (2) los.
- ◆ Wenn sich das Gerät im Dauerbetrieb befindet, müssen Sie zum Ausschalten den Ein-/ Ausschalter (2) drücken und loslassen.

Sägen

- Halten Sie beim Sägen das Gerät mit beiden Händen fest.
- Die Grundplatte (7) sollte fest gegen das Werkstück gedrückt werden. Damit verhindern Sie ein Springen der Säge. Außerdem werden Vibrationen sowie das Bruchrisiko für das Sägeblatt verringert.
- ◆ Lassen Sie das Sägeblatt einige Sekunden freischwingen, bevor Sie mit der Arbeit beginnen.
 - ◆ Üben Sie beim Schneiden nicht zuviel Druck auf das Gerät aus.

Betrieb mit Laser (nur bei Gerätetyp „L“, Abb. H bis K)

Einsetzen der Batterien (Abb. H)

Nehmen Sie die Lasereinheit (14) von der Stichsäge ab.

Drehen Sie dazu die Schraube (13) heraus, und ziehen Sie die Lasereinheit nach vorne ab. Setzen Sie zwei neue 1,5-Volt-Alkalibatterien der Größe AAA (Micro) ein. Achten Sie auf die richtige Lage der positiven (+) und negativen (-) Anschlusspole. Bringen Sie die Lasereinheit (14) wieder an.

Seitliche Justierung des Lasers (Abb. I)

Hinweis: Der Laser unterstützt Sie beim Führen der Säge, garantiert aber keinen präzisen Schnitt.

Achtung! Ziehen Sie vor der Justierung des Lasers den Netzstecker.

- ◆ Richten Sie bei Bedarf Laserlinie und Sägeblatt mithilfe der Laserjustierschraube (15) aus.

Eine Überhitzung kann dazu führen, dass die projizierte Laserlinie schwächer wird. Wird die Säge längere Zeit mit zu hoher Last betrieben, verschwindet die Linie möglicherweise ganz. Sie wird wieder sichtbar, wenn sich das Gerät abkühlt (auch bei ausgeschaltetem und vom Stromnetz getrenntem Gerät).

Achtung! Lassen Sie im Fall einer Überhitzung den Laser nicht eingeschaltet. Schalten Sie ihn aus, und nehmen Sie die Batterien heraus, um seine Stromversorgung zu unterbrechen.

Verwenden des Lasers (Abb. J und K)

Der Laser projiziert die Schnittlinie (18) auf die Oberfläche des Werkstücks.

- ◆ Zum Einschalten des Lasers drücken Sie die Taste (16).
- ◆ Zum Ausschalten des Lasers drücken Sie erneut die Taste (16).

Wenn Sie von oben auf die Stichsäge blicken, können Sie der Schnittlinie (17) problemlos folgen. Ist die Sicht auf die Schnittlinie verdeckt, können Sie den Laser als Hilfe zur Schnittführung verwenden.

- ◆ Markieren Sie die Schnittlinie (17) mit einem geeigneten Stift.
- ◆ Richten Sie die Stichsäge über der Linie (17) aus.
- ◆ Schalten Sie den Laser ein.

Betrieb mit Arbeitslicht (nur bei Gerätetyp „W“, Abb. L und M) Geräte mit einem „W“ in der Katalognummer sind mit einer LEDLampe

(19) ausgestattet, um den Arbeitsbereich auszuleuchten.

- ◆ Zum Einschalten der Lampe stellen Sie den Ein-/ Ausschalter (20) auf die Position „Ein“ (I).
- ◆ Zum Ausschalten der Lampe stellen Sie den Ein-/ Ausschalter (20) auf die Position „Aus“ (0).

Hinweise für optimale Funktion

Sägen von Laminat

Beim Sägen von Laminat kann die sichtbare Oberfläche splintern. Der Schnittvorgang der meisten Sägeblätter geschieht bei der Aufwärtsbewegung. Verwenden Sie deshalb, wenn sich die Grundplatte des Geräts auf der hochwertigen Oberfläche befindet, ein Sägeblatt, das bei der Abwärtsbewegung schneidet, oder:

- ◆ Verwenden Sie ein Sägeblatt mit feiner Zahnung.
- ◆ Drehen Sie das Werkstück um, und setzen Sie die Säge an der Unterseite an.
- ◆ Ausgefrante Kanten und Absplitterungen können Sie auch vermeiden, indem Sie das zu sägende Werkstück zwischen zwei Holz- oder Pressspanplatten einspannen und dieses „Sandwich“ sägen.

Sägen von Metall

Beim Sägen von Metall erfolgt der Vorschub wesentlich langsamer als bei Werkstücken aus Holz.

- ◆ Verwenden Sie ein Sägeblatt, das zum Sägen von Metall geeignet ist.
- ◆ Spannen Sie dünne Metallbleche zum Sägen auf eine Holz- oder Pressspanplatte.
- ◆ Bringen Sie einen dünnen Ölfilm entlang der beabsichtigten Schnittlinie auf.

Wartung

Ihr Black & Decker Gerät wurde im Hinblick auf eine lange Lebensdauer und einen möglichst geringen Wartungsaufwand entwickelt. Ein dauerhafter, einwandfreier Betrieb setzt eine regelmäßige Pflege und Reinigung voraus.

- ◆ Reinigen Sie regelmäßig die Lüftungsschlitze des Geräts mit Hilfe einer weichen Bürste oder eines trockenen Tuchs.
- ◆ Reinigen Sie regelmäßig das Motorgehäuse mit Hilfe eines feuchten Tuchs. Verwenden Sie keine scheuernden Reinigungsmittel oder Reinigungsmittel auf Lösungsmittelbasis. Achten Sie darauf, dass keine Flüssigkeit in das Gerät gelangt. Tauchen Sie kein Teil des Geräts in Flüssigkeit ein.

Umweltschutz



Getrennte Entsorgung. Dieses Produkt darf keinesfalls mit dem Hausmüll entsorgt werden.

Sollten Sie Ihr Black & Decker Produkt eines Tages ersetzen oder nicht mehr benötigen, entsorgen Sie es nicht mit dem Hausmüll, sondern führen Sie das Produkt einer getrennten Sammlung zu.



Durch die separate Sammlung von ausgedienten Produkten und Verpackungsmaterialien können Rohstoffe recycelt und wieder verwendet werden. Die Wiederverwendung aufbereiteter Materialien trägt zur Vermeidung der Umweltverschmutzung bei und senkt den Rohstoffbedarf.

Die Verordnung zur Abfallentsorgung Ihrer Gemeinde sieht möglicherweise vor, dass Elektrogeräte getrennt vom Hausmüll gesammelt, an der örtlichen Abfallentsorgungseinrichtung abgegeben oder beim Kauf eines neuen Produkts vom Fachhandel zur Entsorgung angenommen werden müssen.

Black & Decker nimmt Ihre ausgedienten Black & Decker Geräte gern zurück und sorgt für eine umweltfreundliche Entsorgung bzw. Wiederverwertung. Um diese Dienstleistung in Anspruch zu nehmen, geben Sie das Gerät bitte bei einer autorisierten Reparaturwerkstatt ab, die für uns die Einsammlung übernimmt.

Die Adresse der zuständigen Niederlassung von Black & Decker steht in dieser Anleitung. Diese teilt Ihnen gerne die nächstgelegene Vertragswerkstatt mit. Außerdem ist eine Liste der Vertragswerkstätten und aller Kundendienststellen von Black & Decker sowie der zuständigen Ansprechpartner im Internet zu finden unter: www.2helpU.com.

Batterien



Denken Sie bei der Entsorgung von verbrauchten Akkus an unsere Umwelt.

- ◆ Achten Sie darauf, dass die Akkukontakte nicht kurzgeschlossen werden.
- ◆ Werfen Sie Akkus nicht in ein Feuer, da dies Verletzungen oder eine Explosion zur Folge haben kann.

Technische Daten

	KS800S	KS800SL	TYP1
Spannung	V _{AC}	230	
Aufnahmeleistung	W	520	
Leerlaufdrehzahl	min ⁻¹	800-3000	
maximaleSchnitttiefe			
Holz	mm	70	
Stahl	mm	5	
Aluminium	mm	15	
Gewicht	kg	2,2	

Schalldruckpegel gemäß EN 60745:
Schalldruck (L_{PA}) 89 dB(A), Unsicherheitsfaktor (K) 3 dB(A), Schalleistung (L_{WA}) 100 dB(A), Unsicherheitsfaktor (K) 3 dB(A)

Gesamtvibration (Triax-Vektorsumme) gemäß EN 60745:
Holzschnelden (a_{h,cw}) 6,0 m/s², Unsicherheitsfaktor (K) 1,5 m/s², Metallschnelden (a_{h,cm}) 6,5 m/s², Unsicherheitsfaktor (K) 1,5 m/s²

**EU-Konformitätserklärung
RICHTLINIE FÜR MASCHINEN**



KS800S, KS800SL

Black & Decker erklärt, dass die unter „Technische Daten“ beschriebenen Produkte den folgenden Normen entsprechen: 2006/42/EC, EN60745-1, EN60745-2-11

Diese Produkte entsprechen außerdem den Richtlinien 2004/108/EG und 2011/65/EU.

Weitere Informationen erhalten Sie von Black & Decker unter der folgenden Adresse bzw. mithilfe der Angaben auf der Rückseite dieser Anleitung.

Der Unterzeichnete ist verantwortlich für die Zusammenstellung der technischen Daten und gibt diese Erklärung im Namen von Black & Decker ab.

Kevin Hewitt
Vice-President
Global Engineering
Black & Decker Europe,
210 Bath Road, Slough,
Berkshire, SL1 3YD
Vereinigtes Königreich
23-04-2012

Garantie

Black & Decker vertraut auf die Qualität der eigenen Geräte und bietet dem Käufer eine außergewöhnliche Garantie. Diese Garantiezusage versteht sich unbeschadet der gesetzlichen Gewährleistungsansprüche und schränkt diese keinesfalls ein. Sie gilt in sämtlichen Mitgliedsstaaten der Europäischen Union und der Europäischen Freihandelszone EFTA.

Tritt innerhalb von 24 Monaten ab Kaufdatum an einem Gerät von Black & Decker ein auf Material- oder Verarbeitungsfehler zurückzuführender Mangel auf, garantiert Black & Decker den Austausch defekter Teile, die Reparatur von Geräten mit üblichem Verschleiß bzw. den Austausch eines mangelhaften Gerätes, ohne dass dem Kunden dabei mehr als unvermeidlich Unannehmlichkeiten entstehen, allerdings vorbehaltlich folgender Ausnahmen:

- ◆ wenn das Gerät gewerblich, beruflich oder im Verleihgeschäft benutzt wurde;
- ◆ wenn das Gerät missbräuchlich verwendet oder mit mangelnder Sorgfalt behandelt wurde;
- ◆ wenn das Gerät durch irgendwelche Fremdeinwirkung beschädigt wurde;
- ◆ wenn ein unbefugter Reparaturversuch durch anderes Personal als das einer Vertragswerkstatt oder des Black & Decker-Kundendienstes unternommen wurde.

Zur Inanspruchnahme dieser Garantie ist dem Verkäufer bzw. der Vertragswerkstatt ein Kaufnachweis vorzulegen. Die Adresse der zuständigen Niederlassung von Black & Decker steht in dieser Anleitung. Diese teilt Ihnen gerne die nächstgelegene Vertragswerkstatt mit. Außerdem ist eine Liste der Vertragswerkstätten und aller Kundendienststellen von Black & Decker sowie der zuständigen Ansprechpartner im Internet zu finden unter: **www.2helpU.com**.

Bitte besuchen Sie unsere Website **www.blackanddecker.de**, um Ihr neues Black & Decker Produkt zu registrieren und sich über neue Produkte und Sonderangebote zu informieren. Weitere Informationen über die Marke Black & Decker und unsere Produkte finden Sie unter **www.blackanddecker.de**.

Utilisation

Votre scie sauteuse Black & Decker a été spécialement conçue pour scier du bois, des plastiques et de la tôle. Cet outil est destiné à une utilisation exclusivement domestique.

Consignes de sécurité

Consignes de sécurité concernant les outils électroportatifs



Attention! Lisez avec attention tous les avertissements et toutes les instructions. Le nonrespect de cette consigne peut entraîner une électrocution, un incendie et/ou de graves blessures.

Conservez tous les avertissements et instructions pour référence ultérieure. La notion d'«outil électroportatif» mentionnée par la suite se rapporte à des outils électriques raccordés au secteur (avec câble de raccordement) ou fonctionnant avec batterie (sans fil).

1. Sécurité de la zone de travail

- a. **Maintenez la zone de travail propre et bien éclairée.** Un lieu de travail en désordre ou mal éclairé augmente le risque d'accidents.
- b. **N'utilisez pas les outils électroportatifs dans un environnement présentant des risques d'explosion ni en présence de liquides, gaz ou poussières inflammables.** Les outils électroportatifs génèrent des étincelles risquant d'enflammer les poussières ou les vapeurs.
- c. **Pendant l'utilisation d'un outil électroportatif, les enfants et autres personnes doivent rester éloignés.** En cas d'inattention, vous risquez de perdre le contrôle de l'outil.

2. Sécurité électrique

- a. **La prise de l'outil électroportatif doit convenir à la prise de courant. Ne modifiez en aucun cas la prise. N'utilisez pas de prises d'adaptateur avec des appareils ayant une prise de terre.** Le respect de ces consignes réduit le risque de choc électrique.
- b. **Évitez le contact physique avec des surfaces mises à la terre telles que tuyaux, radiateurs, fours et réfrigérateurs.** Le risque de choc électrique augmente si votre corps est relié à la terre.
- c. **N'exposez pas l'outil électroportatif à la pluie ni à l'humidité.** La pénétration d'eau

dans un outil électroportatif augmente le risque de choc électrique.

- d. **Préservez le câble d'alimentation. N'utilisez pas le câble pour porter l'outil, pour l'accrocher ou encore pour le débrancher. Maintenez le câble éloigné des sources de chaleurs, des parties huilées, des bords tranchants ou des parties de l'appareil en rotation.** Le risque de choc électrique augmente si les câbles sont endommagés ou emmêlés.
 - e. **Si vous utilisez l'outil électroportatif à l'extérieur, utilisez une rallonge homologuée pour utilisation à l'air libre.** L'utilisation d'une rallonge électrique homologuée pour les travaux à l'extérieur réduit le risque de choc électrique.
 - f. **Si l'outil doit être utilisé dans un endroit humide, prenez les précautions nécessaires en utilisant un dispositif à courant résiduel (RCD).** L'utilisation d'un tel dispositif réduit les risques d'électrocution.
- #### 3. Sécurité personnelle
- a. **Restez vigilant, surveillez ce que vous faites. Faites preuve de bon sens quand vous utilisez un outil électroportatif. N'utilisez pas l'outil lorsque vous êtes fatigué ou après avoir consommé de l'alcool ainsi que des médicaments.** Un moment d'inattention lors de l'utilisation de l'outil peut entraîner de graves blessures.
 - b. **Portez un équipement de protection. Portez toujours des lunettes de protection.** Selon le travail à effectuer, le port d'équipement de protection tels que masque anti-poussières, chaussures de sécurité antidérapantes, casque ou protection auditive, réduit le risque de blessures.
 - c. **Évitez un démarrage imprévu. L'appareil doit être en position OFF (arrêt) avant d'effectuer le branchement à l'alimentation et/ou au bloc-batterie, de le ramasser ou de le porter.** Ne laissez pas votre doigt sur le bouton de commande, ceci peut être à l'origine d'accident.
 - d. **Retirez tout outil ou clé de réglage avant de mettre l'outil en marche.** Une clé ou un outil se trouvant sur une partie en rotation peut causer des blessures.
 - e. **Adoptez une position confortable. Adoptez une position stable et gardez votre équilibre**

- en permanence.** Vous contrôlerez ainsi mieux l'outil dans des situations inattendues.
- f. **Portez des vêtements appropriés. Ne pas porter de vêtements flottants ou de bijoux. N'approchez pas les cheveux, vêtements ou gants des parties des pièces mobiles.** Les vêtements amples, les bijoux ou les cheveux longs peuvent être attrapés dans les pièces en mouvement.
- g. **En cas d'utilisation d'appareils servant à aspirer ou à recueillir les poussières, assurez-vous qu'ils sont correctement raccordés et utilisés.** L'utilisation de tels appareils permet de réduire les dangers liés aux poussières.
4. **Utilisation des outils électroportatifs et précautions**
- a. **Respectez la capacité de l'outil. Utilisez l'outil électroportatif approprié pour le travail à effectuer.** Avec un outil approprié, vous travaillerez mieux et en toute sécurité.
- b. **N'utilisez pas un outil électroportatif dont l'interrupteur marche/arrêt est défectueux.** Un outil électroportatif qui ne peut plus être mis en marche ou arrêter est dangereux et doit être réparé.
- c. **Retirez la prise de courant et/ou débranchez le blocbatterie avant d'effectuer des réglages, de changer les accessoires ou de ranger l'outil.** Cette mesure de précaution empêche de mettre l'outil en marche accidentellement.
- d. **Rangez les outils électroportatifs hors de portée des enfants. Les personnes ne connaissant pas l'outil ou n'ayant pas lu ces instructions ne doivent en aucun cas l'utiliser.** Les outils électroportatifs sont dangereux lorsqu'ils sont utilisés par des personnes non initiées.
- e. **Prenez soin des outils électroportatifs. Vérifiez que les parties en mouvement fonctionnent correctement et qu'elles ne sont pas coincées. Vérifiez qu'il n'y a pas de pièces cassées ou endommagées susceptibles de nuire au bon fonctionnement de l'outil. S'il est endommagé, faites réparer l'outil avant de l'utiliser.** De nombreux accidents sont la conséquence d'outils mal entretenus.
- f. **Maintenez les outils de coupe aiguisés et propres.** Des outils soigneusement entretenus avec des bords tranchants bien aiguisés se

coincident moins souvent et peuvent être guidés plus facilement.

- g. **Utilisez les outils électroportatifs, les accessoires, etc. en suivant ces instructions et en tenant compte des conditions de travail, ainsi que du travail à effectuer.** L'utilisation des outils électroportatifs à d'autres fins que celles prévues peut vous mettre en situation dangereuse.

5. Réparations

- a. **Faites réparer votre outil électroportatif uniquement par du personnel qualifié et seulement avec des pièces de rechange appropriées.** La fiabilité de l'outil sera ainsi maintenue.

Consignes de sécurité supplémentaires concernant les outils électroportatifs



Attention! Consignes de sécurité supplémentaires pour scies sauteuses.

- ◆ **Tenez l'outil au niveau des surfaces de prise isolées. Ceci permet d'éviter les accidents en cas de contact de l'outil avec des fils cachés ou son propre câble.** En touchant un fil sous tension, la charge électrique passe dans les parties métalliques de l'outil et il y a risque de choc électrique.
- ◆ **Utilisez des pinces ou autres pour fixer et soutenir la pièce de manière stable.** Si vous la tenez à la main ou contre votre corps, elle ne sera pas stable et vous pouvez en perdre le contrôle.
- ◆ **Éloignez vos mains des zones de découpe.** Ne cherchez jamais à atteindre la pièce à découper par dessous. Ne passez pas vos doigts ou pouces à proximité de la fixation de la lame et de la lame en mouvement. Ne cherchez pas à stabiliser la scie en attrapant la semelle.
- ◆ **Les lames doivent toujours être aiguisées.** Les lames émoussées ou endommagées peuvent faire déraiper ou bloquer la scie pendant le fonctionnement. Utilisez toujours le type approprié de lame correspondant au matériau de la pièce à couper.
- ◆ **Avant de couper un tuyau ou une conduite, assurez-vous qu'il n'y a ni eau, ni fil électrique, etc. autour.**
- ◆ **Ne touchez pas la pièce coupée ou la lame immédiatement après avoir utilisé l'outil.** Elles peuvent être très chaudes.

- ◆ **Prenez garde aux dangers cachés. Avant de couper des murs, des planchers ou des plafonds, vérifiez l'emplacement des câblages et tuyaux.**
- ◆ **Le mouvement de la lame continue après avoir relâché le bouton.** Après avoir arrêté la scie, attendez que la lame se stabilise complètement avant de poser l'outil.

Attention! Tout contact ou inhalation de poussières pendant la coupe peut représenter un danger pour la santé de l'opérateur ainsi, qu'éventuellement, des personnes autour. Portez un masque contre la poussière spécialement conçu pour vous protéger des sciures et des fumées toxiques et veillez à ce que les personnes se trouvant à l'intérieur de la zone de travail ou y pénétrant soient également protégées.

- ◆ Ce manuel d'instructions décrit comment utiliser cet appareil. L'utilisation d'un accessoire ou d'une fixation, ou bien l'utilisation de cet appareil à d'autres fins que celles recommandées dans ce manuel d'instructions peut entraîner des blessures et/ou des dommages matériels.

Sécurité pour autrui

- ◆ Cet outil ne peut être utilisé par des personnes (y compris des enfants) ayant des capacités mentales, sensorielles ou physiques réduites, ou celles manquant d'expérience et de connaissances, à moins qu'elles ne soient encadrées ou qu'elles n'aient été formées à l'utilisation de l'outil par une personne responsable de leur sécurité.
- ◆ Ne laissez jamais les enfants sans surveillance pour éviter qu'ils ne jouent avec cet outil.

Vibration

La valeur d'émission de vibration déclarée dans la section Déclaration/Données techniques de conformité a été mesurée selon une méthode d'essai standard fournie par la norme EN60745 et peut être utilisée pour comparer un outil à un autre. Elle peut aussi être utilisée pour une évaluation préliminaire à l'exposition.

Attention! Selon la manière dont l'outil est utilisé, la valeur d'émission de vibration pendant l'utilisation en cours de l'outil peut être différente de la valeur déclarée. Le niveau de vibration peut augmenter au-dessus du niveau établi.

Quand l'exposition aux vibrations est évaluée afin de déterminer les mesures de sécurité requises par la norme 2002/44/EC pour protéger les personnes utilisant régulièrement des outils électroportatif, il faut tenir compte de l'estimation de l'exposition aux vibrations, les conditions actuelles d'utilisation et la manière dont l'outil est utilisé. Il faut aussi tenir compte de toutes les pièces du cycle de fonctionnement comme la durée pendant laquelle l'outil est arrêté et quand il fonctionne au ralenti, ainsi que la durée du déclenchement.

Étiquettes de l'outils



Attention! Pour réduire le risque de blessures, l'utilisateur doit lire les instructions du manuel.

Sécurité électrique



Cet outil est doublement isolé; par conséquent, aucun câble de masse n'est nécessaire. Vérifiez si l'alimentation mentionnée sur la plaque signalétique de l'appareil correspond bien à la tension présente sur le lieu.

- ◆ Si le câble d'alimentation est endommagé, il doit être remplacé par le fabricant ou par un centre de réparation agréé Black & Decker pour éviter tout risque.

Consignes de sécurité supplémentaires pour piles nonrechargeables

- ◆ En aucun cas, n'essayez d'ouvrir l'appareil.
- ◆ Ne le rangez pas dans des endroits où la température peut dépasser 40 °C.
- ◆ Pour jeter les batteries, suivez les instructions données dans la section «Protection de l'environnement».

Ne jetez pas les piles au feu.

- ◆ Dans des conditions extrêmes, une pile peut couler. Si vous repérez des traces de liquide sur les piles, effectuez ce qui suit :
 - Avec un chiffon, essuyez le liquide en prenant toutes les précautions nécessaires. Éviter tout contact avec la peau.

Consignes de sécurité supplémentaires pour utilisation du laser



Lisez attentivement le manuel complet.



Cet appareil ne doit pas être utilisé par des enfants de moins de 16 ans.



Rayonnement laser.



Ne jamais regarder le faisceau à l'œil nu.



Ne jamais utiliser d'instrument d'optique pour regarder le faisceau.

- ◆ Ce laser est conforme aux normes de sécurité IEC60825-1:2007, classe 2 du CEI. Ne jamais remplacer une diode laser par une diode d'un type différent. Si le laser est endommagé, faites le réparer par un réparateur agréé.
- ◆ N'utilisez jamais le laser à des fins autres que la projection de raies laser.
- ◆ La vision directe du rayon laser de classe 2 n'est pas considérée comme dangereuse jusqu'à 0,25 secondes. La protection de l'œil est normalement assurée par le réflexe de clignement. À plus de 1m, le rayonnement laser correspond au laser de classe 1 et ne présente aucun risque.
- ◆ Ne jamais regarder directement et volontairement le rayon laser.
- ◆ Ne jamais utiliser d'instrument d'optique pour regarder le faisceau.
- ◆ Installez l'outil en prenant soin d'éviter que le rayon laser ne puisse atteindre personne à la hauteur de la tête.
- ◆ Ne laissez pas les enfants approcher du laser.

Caractéristiques

1. Bouton de verrouillage
2. Manette marche/arrêt
3. Couvercle du boîtier de rangement des lames
4. Levier de verrouillage de semelle
5. Sortie de refoulement de poussière
6. Adaptateur de dépoussiérage
7. Semelle
8. Bouton de sélection Auto Select™
9. Rouleau du support de lame
10. Fixation de la lame

Options supplémentaires (figure A)

Des options supplémentaires peuvent exister en fonction de l'appareil acheté. Ces options accompagnées du numéro de catalogue sont représentées dans la figure A.

Assemblage

Attention! Avant d'exécuter ce qui suit, assurez-vous que l'appareil est éteint, débranché et que la lame n'est plus en mouvement. Les lames, après utilisation, peuvent être chaudes.

Mise en place de la lame (figure B)

- ◆ Maintenez la lame (11) comme indiqué, avec les dents orientées vers l'avant.
- ◆ Poussez et maintenez la fixation de lame (10).
- ◆ Insérez la tige de la lame dans le support de lame (12) le plus loin possible.
- ◆ Relâchez la fixation de lame (10).

Rangement de la lame (figure C)

Les lames de scie (11) peuvent être rangées dans le boîtier de rangement sur le côté de l'outil.

- ◆ Ouvrez le couvercle (3) du boîtier de rangement en poussant la patte sur le haut du couvercle (3) vers l'extérieur.
- ◆ Les lames sont maintenues dans le compartiment par une bande magnétique. Appuyez sur une extrémité de la lame pour soulever l'autre extrémité et la retirer.
- ◆ Fermez le couvercle du boîtier de rangement (3) et vérifiez le verrouillage.

Attention! Fermez correctement le couvercle avant d'utiliser la scie.

Raccordement d'un aspirateur à l'outil (figure D)

Il faut un adaptateur pour connecter l'aspirateur ou le récupérateur de poussière à l'outil. L'adaptateur (6) peut être acheté auprès d'un revendeur Black & Decker.

- ◆ Poussez l'adaptateur (6) dans la sortie de refoulement de poussière (5).
- ◆ Raccordez le tuyau d'aspirateur à l'adaptateur (6).

Risques résiduels

L'utilisation d'un outil non mentionné dans les consignes de sécurité données peut entraîner des risques résiduels supplémentaires. Ces risques peuvent survenir si l'outil est mal utilisé, si l'utilisation est prolongée, etc.

Malgré l'application des normes de sécurité correspondantes et la présence de dispositifs de sécurité, les risques résiduels suivants ne peuvent être évités. Ceci comprend:

- ◆ Les blessures dues au contact avec une pièce mobile/ en rotation.
- ◆ Les blessures causées en changeant des pièces, lames ou accessoires.
- ◆ Les blessures dues à l'utilisation prolongée d'un outil. Une utilisation prolongée de l'outil nécessite des pauses régulières.
- ◆ Déficience auditive.

FRANÇAIS

- ◆ Risques pour la santé causés par l'inhalation de poussières produites pendant l'utilisation de l'outil (exemple: travail avec du bois, surtout le chêne, le hêtre et les panneaux en MDF).

Utilisation

Réglage de semelle pour coupe en biais (figure E et F)

Attention! N'utilisez jamais l'outil sans la semelle, ou si celle-ci est desserrée.

La semelle (7) peut être réglée pour un angle de biseau gauche ou droit allant jusqu'à 45°.

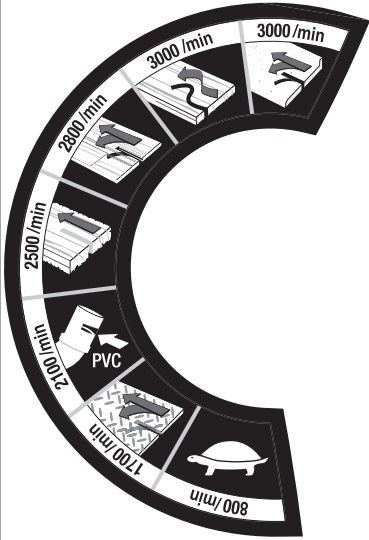







- ◆ Tirez le levier de verrouillage de la semelle (4) vers l'extérieur pour déverrouiller la semelle (7) de la position 0° (figure F).
- ◆ Tirez la semelle (7) vers l'avant et réglez le biseau sur 15°, 30° et 45° comme indiqué.
- ◆ Repoussez le levier de verrouillage (4) vers la scie pour verrouiller la semelle (7).

Pour remettre la semelle (7) en position de coupe droite :

- ◆ Tirez le levier de verrouillage (4) vers l'extérieur pour déverrouiller la semelle (7).
- ◆ Installez la semelle (7) dans un angle d'environ 0°, puis poussez-la vers l'arrière.
- ◆ Repoussez le levier de verrouillage (4) vers la scie pour verrouiller la semelle (7).

Utilisation du bouton de sélection Auto Select™ (figure G)

Cet outil est muni d'un bouton Auto Select™ (8) qui permet de régler la vitesse et la coupe pour différentes applications. Pour sélectionner la vitesse maximale et la coupe pour le type de matériau à couper, tournez le bouton (8) comme indiqué sur le tableau ci-dessous :

	Icône	Application	Vitesse	Type de lame
		Plans de travail pour cuisine, tables de travail, panneau en contreplaqué	Vitesse rapide	Bois en général
		Chantournage/ courbes/ artisanat, bois dur, terrasse, plancher	Vitesse rapide	Bois de marqueterie Bois en général
		Contreplaqué et panneaux de bois	Vitesse rapide	Bois en général
		Billot, bois tendre, coupe de refente rapide	Vitesse rapide	Bois en général
		Plastique, Perspex, PVC	Vitesse moyenne	À usage multiple
		Feuille fer blanc, tuile céramique, feuille en fibre de verre	Faible vitesse	Métal ou céramique ou lame de fibre de verre
		Faible vitesse, démarrage de précision	Faible vitesse	Choisir la lame correspondant à l'application

Démarrer et arrêter

- ◆ Pour mettre l'outil en marche, appuyez sur le bouton marche/arrêt (2).
- ◆ Pour arrêter l'outil, relâchez le bouton marche/arrêt (2).
- ◆ Pour une coupe continue, appuyez sur le bouton de verrouillage (1) et relâchez le bouton marche/arrêt (2).
- ◆ Pour arrêter l'outil pendant une coupe continue, appuyez puis relâchez le bouton marche/arrêt (2).

Scier

Tenez fermement l'outil avec les deux mains pendant la découpe.

La semelle (7) doit s'appuyer fermement contre la pièce à découper. Ceci permet d'éviter les sursauts

de la scie, de réduire les vibrations et de diminuer la casse des lames.

- ◆ Laissez la lame fonctionner librement pendant quelques secondes avant de commencer la découpe.
- ◆ N'appliquez qu'une légère pression sur l'outil pendant la découpe.

Utilisation du laser (figure H - K) (référence 'L' uniquement)

Installation des piles (figure H)

Dévissez la vis (13) et retirez le module laser (14) en le tirant vers l'avant. Insérez dans le bon sens les deux nouvelles piles 1,5 V AAA. Refixez le module laser (14).

Réglage du laser (figure I)

Remarque: le laser facilite le travail de coupe mais ne garantit pas la précision.

Attention! N'ajustez pas le laser avec la scie sauteuse branchée.

- ◆ Utilisez la vis de réglage (15) sur le module laser pour aligner la ligne laser avec la lame, si nécessaire.

Le laser sera moins visible en cas de surchauffe de la scie. Le laser peut être invisible si la scie est en surcharge pendant une période prolongée. Il réapparaît progressivement quand l'outil refroidit, même quand l'outil est débranché.

Attention! Ne pas laisser un laser surchauffé en marche. Assurez-vous que l'interrupteur est en position OFF (arrêt) et retirez les piles pour ne plus alimenter le laser.

Utilisation du laser (figure J et K)

Le laser projette la ligne de coupe (18) sur la surface de la pièce.

- ◆ Pour mettre le laser en marche, appuyez sur le bouton (16).
- ◆ Pour arrêter le laser, appuyez de nouveau sur le bouton (16).

En regardant directement au-dessus de la scie, il est facile de suivre la ligne de coupe (17). Si, pour une raison quelconque le rayon n'est pas visible, le laser peut être utilisé comme second guide de coupe.

- ◆ Utilisez un crayon pour repérer la ligne de coupe (17).
- ◆ Positionnez la scie sur la ligne (17).
- ◆ Mettez en marche le laser.

Utilisation de la lampe de travail (figure L et M) (référence 'W' uniquement)

Les appareils avec référence 'W' dans le numéro de catalogue sont équipés d'une lampe (19) qui éclaire autour de la lame.

- ◆ Pour allumer la lampe, glissez le bouton (20) sur la position (I).
- ◆ Pour éteindre la lampe, glissez le bouton (20) sur la position (0).

Conseils pour une utilisation optimale

Coupe de contreplaqué

Les éclats dus à la découpe du contreplaqué, peuvent endommager la surface apparente. La plupart des lames coupent en montant. Si la semelle est posée sur la surface apparente, utilisez une lame qui coupe en descendant ou :

- ◆ Utilisez une lame à dents fines.

- ◆ Sciez à partir de l'arrière de la pièce.
- ◆ Pour limiter les éclats, serrez un morceau de bois ou de panneau dur des deux côtés de la pièce et sciez à travers cette épaisseur.

Coupe du métal

Scier du métal prend beaucoup plus de temps que de scier du bois.

- ◆ Utilisez une lame adaptée à la coupe de métal.
- ◆ Pour couper une fine épaisseur de métal, serrez une pièce de bois à l'arrière de la pièce à couper et sciez à travers l'épaisseur.
- ◆ Appliquez un filet d'huile le long de la ligne de coupe.

Entretien

Votre lampe Black & Decker a été conçue pour fonctionner pendant longtemps avec un minimum d'entretien. Un fonctionnement continu satisfaisant dépend d'un nettoyage régulier et d'un entretien approprié de l'outil.

- ◆ Nettoyez régulièrement les orifices de ventilation de votre outil à l'aide d'une brosse souple ou d'un chiffon sec.
- ◆ Nettoyez régulièrement le compartiment du moteur à l'aide d'un chiffon humide. N'utilisez pas de produit abrasif ou à base de solvant. Évitez toute pénétration de liquide dans l'outil et ne plongez aucune pièce dans du liquide.

Protection de l'environnement



Recyclage. Cet appareil ne doit pas être jeté avec les déchets ménagers.

Si votre appareil Black & Decker doit être remplacé ou si vous n'en avez plus l'usage, ne le jetez pas avec les ordures ménagères. Songez à la protection de l'environnement et recyclez-les.



La collecte séparée des produits et des emballages usagés permet de recycler et de réutiliser des matériaux. La réutilisation de matériaux recyclés évite la pollution de l'environnement et réduit la demande de matières premières.

Des réglementations locales peuvent stipuler la collecte séparée des produits électriques et des produits ménagers, dans des déchetteries municipales ou par le revendeur lorsque vous achetez un nouveau produit.

Black & Decker offre une solution permettant de recycler les produits Black & Decker lorsqu'ils ont

atteint la fin de leur cycle de vie. Pour pouvoir profiter de ce service, veuillez retourner votre produit à un réparateur agréé qui se chargera de le collecter pour nous.

Pour connaître l'adresse du réparateur agréé le plus proche de chez vous, contactez le bureau Black & Decker à l'adresse indiquée dans ce manuel. Vous pourrez aussi trouver une liste de réparateurs agréés de Black & Decker et de plus amples détails concernant notre service après-vente sur le site Internet: **www.2helpU.com**.

Batteries



Quand elles sont hors d'usage, jetez-les en respectant les normes de protection de l'environnement.

- ♦ Ne court-circuitez pas les bornes de la batterie.
- ♦ Ne jetez pas la ou les batteries dans le feu, elles pourraient exploser ou être à l'origine d'un risque de blessure.

Caractéristiques techniques

	KS800S	KS800SL	TYPE1
Tension	V c.a. 230		
Puissance nominale	W 520		
Aucune vitesse de charge	min ⁻¹ 800- 3000		
Profondeur maximum de coupe			
Bois	mm 70		
Acier	mm 5		
Aluminium	mm 15		
Poids	kg 2,2		

Niveau de pression sonore selon la norme EN 60745:

Pression sonore (L_{pA}) 89 dB(A), incertitude (K) 3 dB(A), Puissance acoustique (L_{WA}) 100 dB(A), incertitude (K) 3 dB(A)

Valeurs totales des vibrations (somme vectorielle triaxiale) selon la norme EN 60745:

Coupe, bois ($a_{h,CW}$) 6,0 m/s²,
incertitude (K) 1,5 m/s²,
Coupe, métal ($a_{h,CM}$) 6,5 m/s²,
incertitude (K) 1,5 m/s²

Déclaration de conformité CE DIRECTIVES DE MACHINERIE



KS800S, KS800SL

Black & Decker déclare que les produits décrits sur la fiche technique sont conformes à la norme: 2006/42/EC, EN60745-1, EN60745-2-11

Ces produits sont conformes aux normes 2004/108/CE et 2011/65/UE.

Pour plus de renseignements, veuillez contacter Black & Decker à l'adresse suivante ou reportez-vous au dos du manuel.

Le soussigné est responsable des données de la fiche technique et fait cette déclaration au nom de Black & Decker

Kevin Hewitt
Vice-President Global
Engineering
Black & Decker Europe,
210 Bath Road, Slough,
Berkshire, SL1 3YD
Royaume-Uni
23-04-2010

Garantie

Black & Decker vous assure la qualité de ses produits et vous offre une garantie très étendue. Ce certificat de garantie est un document supplémentaire et ne peut en aucun cas se substituer à vos droits légaux. La garantie est valable sur tout le territoire des États Membres de l'Union Européenne et de la Zone de Libre Échange Européenne.

Si un produit Black & Decker s'avère défectueux en raison de matériaux en mauvais état, d'une erreur humaine, ou d'un manque de conformité dans les 24 mois suivant la date d'achat, Black & Decker garantit le remplacement des pièces défectueuses, la réparation des produits usés ou cassés ou remplace ces produits à la convenance du client, sauf dans les circonstances suivantes:

- ♦ Le produit a été utilisé dans un but commercial, professionnel, ou a été loué.
- ♦ Le produit a été mal utilisé ou avec négligence.
- ♦ Le produit a subi des dommages à cause de corps étrangers, de substances ou d'accidents.
- ♦ Des réparations ont été tentées par des techniciens ne faisant pas partie du service technique de Black & Decker.

FRANÇAIS

Pour avoir recours à la garantie, il est nécessaire de fournir une preuve d'achat au vendeur ou à un réparateur agréé. Pour connaître l'adresse du réparateur agréé le plus proche de chez vous, contactez le bureau Black & Decker à l'adresse indiquée dans ce manuel. Vous pourrez aussi trouver une liste de réparateurs agréés de Black & Decker et de plus amples détails sur notre service après-vente sur le site Internet à l'adresse suivante: **www.2helpU.com**

Visitez notre site Web

www.blackanddecker.fr pour enregistrer votre nouveau produit Black & Decker et être informé des nouveaux produits et des offres spéciales. Pour plus d'informations concernant la marque Black & Decker et notre gamme de produits, consultez notre site **www.blackanddecker.fr**

Použití

Vaše přímočará pila Black & Decker je určena k řezání dřeva, plastů a kovů. Toto nářadí je určeno pouze pro spotřebitelské použití.

Bezpečnostní pokyny

Všeobecné bezpečnostní pokyny pro práci s elektrickým nářadím



Varování! Pozorně si přečtěte veškerá bezpečnostní varování a pokyny. Nedodržení níže uvedených pokynů může mít za následek úraz elektrickým proudem, vznik požáru nebo vážné zranění.

Veškerá bezpečnostní varování a pokyny uschovejte pro případné další použití. Označení elektrické nářadí ve všech níže uvedených upozorněních odkazuje na vaše nářadí napájené ze sítě (obsahuje napájecí kabel) nebo nářadí napájené bateriemi (akumulátorové).

1. Bezpečnost v pracovním prostoru

- a. **Udržujte pracovní prostor v čistotě a dobře osvětlený.** Přeplněný a neosvětlený pracovní prostor může vést ke způsobení úrazu.
- b. **Nepracujte s elektrickým nářadím ve výbušném prostředí, jako například v blízkosti hořlavých kapalin, plynů nebo prachu.** Nářadí je zdrojem jiskření, které může zapálit prach nebo výpary.
- c. **Při práci s elektrickým nářadím dbejte na to, aby se do jeho blízkosti nedostaly děti a okolo stojící osoby.** Nepozornost může způsobit ztrátu kontroly.

2. Elektrická bezpečnost

- a. **Zástrčka napájecího kabelu nářadí musí odpovídat zásuvce. Zástrčku nikdy žádným způsobem neupravujte. Při práci s uzemněným elektrickým nářadím nikdy nepoužívejte zástrčkové adaptéry.** Neupravené zástrčky a odpovídající zásuvky snižují riziko vzniku úrazu elektrickým proudem.
- b. **Vyvarujte se dotyku s uzemněnými plochami jako jsou potrubí, radiátory, sporáky a ledničky.** Dojde-li k vašemu uzemnění, hrozí zvýšené riziko úrazu elektrickým proudem.
- c. **Nevystavujte elektrické nářadí dešti nebo vlhkému prostředí.** Vnikne-li do nářadí voda, zvýší se riziko úrazu elektrickým proudem.
- d. **S napájecím kabelem zacházejte opatrně. Nepoužívejte napájecí kabel k přenášení**

nářadí, tahání nebo vytahování zástrčky ze zásuvky. Zabraňte kontaktu kabelu s mastnými, horkými a ostrými předměty a pohyblivými částmi nářadí. Poškozený nebo zapletený napájecí kabel zvyšuje riziko vzniku úrazu elektrickým proudem.

- e. **Pracujete-li s nářadím ve venkovním prostředí, používejte prodlužovací kabel určený pro venkovní prostředí.** Použití kabelu pro venkovní použití snižuje riziko úrazu elektrickým proudem.
 - f. **Při práci s elektrickým nářadím ve vlhkém prostředí je nezbytně nutné použití proudového chrániče (RCD) v napájecím okruhu.** Použití proudového chrániče RCD snižuje riziko úrazu elektrickým proudem.
- ### 3. Osobní bezpečnost
- a. **Zůstaňte stále pozorní, sledujte, co provádíte a při práci s nářadím používejte rozum. Nepoužívejte elektrické nářadí, jste-li unaveni nebo jste-li pod vlivem drog, alkoholu nebo léků.** Chvilka nepozornosti při práci s nářadím může vést k vážnému úrazu.
 - b. **Používejte prvky osobní ochrany. Vždy používejte ochranu zraku.** Ochranné prostředky, jako jsou respirátor, neklouzavá pracovní obuv, přilba nebo chrániče sluchu, snižují riziko poranění osob.
 - c. **Zabraňte náhodnému spuštění. Před připojením ke zdroji napětí nebo před vložením baterie a před zvednutím nebo přenášením nářadí zkontrolujte, zda je vypnutý hlavní spínač.** Přenášení nářadí s prstem na hlavním spínači nebo připojení napájecího kabelu k elektrické síti, je-li hlavní spínač nářadí v poloze zapnuto, může způsobit úraz.
 - d. **Před spuštěním nářadí se vždy ujistěte, zda nejsou v jeho blízkosti klíče nebo seřizovací přípravky.** Ponechané klíče nebo seřizovací přípravky mohou být zachyceny rotujícími částmi nářadí a mohou způsobit úraz.
 - e. **Nepřekázejte sami sobě. Při práci vždy udržujte vhodný a pevný postoj.** To umožní lepší ovladatelnost nářadí v neočekávaných situacích.
 - f. **Vhodně se oblékejte. Nenoste volný oděv nebo šperky. Dbejte na to, aby se vaše vlasy, oděv nebo rukavice nedostaly do nebezpečné blízkosti pohyblivých částí.** Volný oděv, šperky nebo dlouhé vlasy mohou být pohyblivými díly zachyceny.

g. Je-li nářadí vybaveno výstupem pro připojení odsávání a sběrným vakem, zkontrolujte tyto funkce a ujistěte se, zda jsou správně používány. Použití těchto zařízení může snížit nebezpečí týkající se prachu.

4. Použití elektrického nářadí a jeho údržba
a. Nepřetěžujte elektrické nářadí. Používejte pro prováděnou práci správný typ nářadí.

Správné elektrické nářadí bude pracovat lépe a bezpečněji, bude-li používáno ve výkonnostním rozsahu, pro který je určeno.

b. Pokud nelze hlavní spínač nářadí zapnout a vypnout, s nářadím nepracujte. Jakékoliv nářadí s nefunkčním hlavním spínačem je nebezpečné a musí být opraveno.

c. Před výměnou jakýchkoliv částí, příslušenství či jiných připojených součástí, před prováděním servisu nebo pokud nářadí nepoužíváte, odpojte je od elektrické sítě a vyjměte baterii. Tato preventivní bezpečnostní opatření snižují riziko náhodného spuštění nářadí.

d. Pokud nářadí nepoužíváte, uložte jej mimo dosah dětí a zabraňte osobám neobeznámených s obsluhou nářadí nebo s tímto návodem, aby s nářadím pracovali. Elektrické nářadí je v rukou nekvalifikované obsluhy nebezpečné.

e. Provádějte údržbu elektrického nářadí. Zkontrolujte, zda nářadí nemá vychýlené nebo rozpojené pohyblivé části, zlomené díly nebo jakoukoliv jinou závadu, která může mít vliv na jeho správný chod. Je-li nářadí poškozeno, nechejte jej opravit. Mnoho nehod bývá způsobeno zanedbanou údržbou nářadí.

f. Řezné nástroje udržujte ostré a čisté. Řádně udržované řezné nástroje s ostrými řeznými břity jsou méně náchylné k zanášení nečistotami a jsou lépe ovladatelné.

g. Používejte nářadí, příslušenství a držáky nástrojů podle těchto pokynů a berte v úvahu provozní podmínky a práci, kterou je nutné vykonat. Použití nářadí k jiným účelům, než k jakým je určeno, může být nebezpečné.

5. Opravy

a. Opravy elektrického nářadí svěřte kvalifikovanému technikovi, který bude používat shodné náhradní díly. Tím zajistíte bezpečný provoz nářadí.

Doplňkové bezpečnostní pokyny pro práci s elektrickými nářadím



Varování! Doplňkové bezpečnostní pokyny pro práci s přímočarými pilami.

♦ **Při pracovních operacích, u kterých by mohlo dojít ke kontaktu se skrytými vodiči nebo s vlastním napájecím kabelem, držte elektrické nářadí vždy za izolované rukojeti.** Při kontaktu s „živým“ vodičem způsobí neizolované kovové části nářadí obsluze úraz elektrickým proudem.

♦ **Používejte k upnutí obrobku k pevné podložce svorky nebo jiný vhodný způsob.** Přichycení obrobku rukou nebo opření obrobku o tělo je nestabilní a může vést ke ztrátě kontroly.

♦ **Udržujte ruce mimo oblast řezu.** Nikdy z jakéhokoliv důvodu nesahejte pod řezaný materiál. Nezasahujte prsty nebo palcem do blízkosti pilového listu a upínadla pilového listu. Nestabilizujte pilu uchopením za patku pily.

♦ **Udržujte pilové listy ostré.** Otupené nebo poškozené pilové listy mohou během přítlaku způsobit vychýlení nebo zaseknutí pily. Vždy používejte vhodný pilový list pro daný typ materiálu obrobku a pro daný typ řezu.

♦ **Při řezání potrubí nebo elektroinstalčních vodičích žlabů se ujistěte, zda jimi neprotéká voda nebo zda nevedou elektrické vodiče apod.**

♦ **Ihned po skončení řezu se nedotýkejte obrobku ani pilového listu.** Mohou být velmi rozpálené.

♦ **Před vrtním do stěn, podlah a stropů se vždy řádně ujistěte o poloze elektroinstalace a potrubí.**

♦ **Po uvolnění spínače se pilový list ještě chvíli pohybuje.** Před položením pily vždy vypněte hlavní spínač a počkejte, dokud se pilový list zcela zastaví.

Varování! Pobyt v prašném prostředí a vdechování prachu při řezání může ohrozit zdraví obsluhy nářadí a okolo stojících osob. Používejte masku proti prachu určenou speciálně na ochranu před toxickým prachem a podobnými zplodinami a zajistěte, aby byly takto chráněny všechny osoby nacházející se nebo vstupující do pracovního prostoru.

♦ Použití tohoto nářadí je popsáno v tomto návodu. Použití jakéhokoliv jiného příslušenství nebo přídatných zařízení, nebo jakéhokoliv jiné

využití tohoto náradí, než je popsáno v tomto návodu k obsluze, může představovat riziko zranění osob nebo způsobení hmotných škod.

Bezpečnost ostatních osob

- ♦ Toto zařízení není určeno k použití osobami (včetně dětí) se sníženými fyzickými, smyslovými nebo duševními schopnostmi, nebo nedostatkem zkušeností a znalostí, pokud těmto osobám nebyl stanoven dohled, nebo pokud jim nebyly poskytnuty instrukce týkající se použití zařízení osobou zodpovědnou za jejich bezpečnost.
- ♦ Děti by měly být pod dozorem, aby si s náradím nehrály.

Vibrace

Deklarovaná úroveň vibrací uvedená v technických údajích a v prohlášení o shodě byla měřena v souladu se standardní zkušební metodou předepsanou normou EN 60745 a může být použita ke srovnání jednotlivých náradí mezi sebou. Deklarovaná úroveň vibrací může být také použita k předběžnému stanovení doby práce s tímto výrobkem.

Varování! Úroveň vibrací při aktuálním použití elektrického náradí se může od deklarované úrovně vibrací lišit v závislosti na způsobu použití výrobku. Úroveň vibrací může být oproti uvedené hodnotě vyšší.

Při stanovení vystavení se vibracím k určení bezpečnostních opatření podle normy 2002/44/EC k ochraně osob pravidelně používajících elektrické náradí v zaměstnání by měl předběžný odhad působení vibrací brát na zřetel aktuální podmínky použití náradí s přihlédnutím na všechny části pracovního cyklu, jako doby, při které je náradí vypnuto a kdy běží naprázdno.

Štítky na náradí



Varování! Ke snížení rizika vzniku úrazu musí být obsluha obeznámena s tímto návodem k obsluze.

Elektrická bezpečnost



Toto náradí je chráněno dvojitou izolací. Proto není nutná ochrana zemněním. Vždy zkontrolujte, zda napětí v síti odpovídá napětí na výkonovém štítku.

- ♦ Poškozený napájecí kabel musí být vyměněn výrobcem nebo v autorizovaném servisu Black & Decker.

Další bezpečnostní pokyny týkající se baterií

- ♦ Nikdy se nepokoušejte z žádného důvodu narušit obal baterie.
 - ♦ Neskladujte baterie na místech, kde může teplota přesáhnout 40 °C.
 - ♦ Při likvidaci baterií se řiďte pokyny uvedenými v části „Ochrana životního prostředí“.
- Nevhazujte baterie do ohně a nespalujte je.
- ♦ V extrémních podmínkách může docházet k únikům z baterie. Zjistíte-li na povrchu baterie přítomnost kapaliny, postupujte následovně:
 - Pečlivě kapalinu otřete hadříkem.
- Vyvarujte se potřísnění pokožky.

Další bezpečnostní pokyny týkající se laserů



Přečtěte si pečlivě celý tento návod.



Tento výrobek není určen pro osoby mladší 16 let.



Laserové záření.



Nedívejte se do laserového paprsku.



Ke sledování laserového paprsku nepoužívejte optické přístroje.

- ♦ Tento laserový přístroj odpovídá třídě 2 podle normy IEC60825-1:2007. Nenahrazujte laserovou diodu diodou jiného typu. Dojde-li k poruše, svěťte opravu laseru autorizovanému servisu.
- ♦ Nepoužívejte laser k jiným účelům, než je projekce laserových paprsků.
- ♦ Vystavení zraku působení laserového paprsku třídy 2 je považováno za bezpečné v případě, nepřesáhne-li tato doba 0,25 sekundy. Reflexy očních víček běžně poskytují dostatečnou ochranu. Ve vzdálenosti větší než 1 m odpovídá tento laser třídě 1 a proto je považován za zcela bezpečný.
- ♦ Nikdy se do laserového paprsku nedívejte záměrně a přímo.
- ♦ Ke sledování laserového paprsku nepoužívejte optické přístroje.
- ♦ Neprovádějte nastavení přístroje do takové výšky, aby mohl laserový paprsek procházet přes osoby ve výšce jejich hlav.
- ♦ Nedovolte dětem, aby se přibližovaly do blízkosti laseru.

Popis

1. Zajišťovací tlačítko
2. Hlavní spínač
3. Úložný prostor na pilové listy
4. Blokovací páčka patky pily
5. Výstupní otvor pro odvod prachu
6. Adaptér pro odsávání prachu
7. Patka pily
8. Otočný ovladač Auto Select™
9. Vodicí kladka pilového listu
10. Upínací svorka pro výměnu pilového listu bez použití jiného nářadí

Doplňující funkce (obr. A)

Doplňující funkce jsou k dispozici podle typu zakoupeného výrobku. Doplnění funkce, které lze využít, jsou zobrazeny podle katalogového čísla na obr. A.

Montáž

Varování! Před prováděním jakékoliv z následujících operací se ujistěte, zda je nářadí vypnuto, zda je odpojen napájecí kabel od zásuvky a zda se již nepohybuje pilový list. Použitá pilové listy mohou být horké.

Montáž pilového listu (obr. B)

- ◆ Uchopte pilový list (11) podle obrázku tak, aby jeho zuby směřovaly dopředu.
- ◆ Stlačte dolů a přidržte upínací svorku pilového listu (10).
- ◆ Zasuňte upínací stopku pilového listu co nejdále do držáku pilového listu (12).
- ◆ Uvolněte upínací svorku pilového listu (10).

Uložení pilového listu (obr. C)

Pilové listy (11) lze uschovat v úložném prostoru v boční části nářadí.

- ◆ Kryt úložného prostoru pilových listů (3) otevřete tak, že uchopíte výstupek nacházející se na horní straně krytu (3) a vytáhnete jej směrem ven.
- ◆ Pilové listy jsou v úložném prostoru uchyceny pomocí magnetického pásku. Pilový list vyjmete stisknutím jednoho konce pilového listu, čímž dojde ke zvednutí jeho druhého konce a pilový list může být vyjmut.
- ◆ Uzavřete kryt úložného prostoru pilových listů (3) a ujistěte se, zda došlo k zapadnutí západky.

Varování! Před spuštěním pily se ujistěte, zda je kryt úložného prostoru řádně uzavřen.

Připojení vysavače k nářadí (obr. D)

Pro připojení vysavače nebo odsavače prachu k nářadí musí být použit adaptér. Tento adaptér pro odsávání prachu (6) můžete zakoupit u nejbližšího autorizovaného prodejce Black & Decker.

- ◆ Připojte adaptér (6) k výstupu pro odsávání prachu (5).
- ◆ Připojte k adaptéru (6) hadici vysavače.

Zbytková rizika

Je-li nářadí používáno jiným způsobem, než je uvedeno v příložených bezpečnostních varováních, mohou se objevit dodatečná zbytková rizika. Tato rizika mohou vzniknout v důsledku nesprávného použití, dlouhodobého použití atd.

Přestože jsou dodržovány příslušné bezpečnostní předpisy a jsou používána bezpečnostní zařízení, určitá zbytková rizika nemohou být vyloučena. Tato rizika jsou následující:

- ◆ Zranění způsobená kontaktem s jakoukoli rotující nebo pohybující se částí.
- ◆ Zranění způsobená při výměně dílů, pracovního nástroje nebo příslušenství.
- ◆ Zranění způsobená dlouhodobým použitím nářadí. Používáte-li jakékoli nářadí delší dobu, zajistěte, aby byly prováděny pravidelné přestávky.
- ◆ Poškození sluchu.
- ◆ Zdravotní rizika způsobená vdechováním prachu vytvářeného při použití nářadí (příklad: - práce se dřevem, zejména s dubovým, bukovým a MDF).

Použití

Nastavení patky pily k provádění šikmých řezů (obr. E a F)

Varování! Nepoužívejte nářadí v případě, je-li patka pily uvolněna nebo odmontována.

Patka pily (7) může být nakloněna vlevo nebo vpravo až o 45°.

- ◆ Vysuňte zajišťovací páčku patky pily (4) směrem ven tak, aby došlo k uvolnění patky pily (7) z polohy 0° (obr. F).
- ◆ Vytáhněte patku pily (7) směrem dopředu a nastavte požadovaný úhel 15°, 30° nebo 45°, který je zobrazen v okénku nastavení pokosu.
- ◆ Zasuňte zajišťovací páčku patky pily (4) směrem k pile tak, aby došlo k zajištění patky pily (7).

Vyrovnaní patky pily (7) pro provádění rovných řezů:

- ♦ Vysuňte zajišťovací páčku patky pily (4) směrem ven tak, aby došlo k uvolnění patky pily (7).

- ♦ Nastavte patku pily (7) na úhel 0° a zatlačte patku pily dozadu.
- ♦ Zasuňte zajišťovací páčku patky pily (4) směrem k pile tak, aby došlo k zajištění patky pily (7).

Nastavení otočného ovladače Auto Select™ (obr. G)

Toto nářadí je vybaveno unikátním otočným ovladačem Auto Select™ (8), který umožňuje nastavení otáček a výkyvného pohybu pilového listu pro různé aplikace. Otáčky a výkyvný pohyb pro různé typy řezaných materiálů nastavte otočným ovladačem (8) podle níže uvedené tabulky:

	Ikonka	Použití	Rychlost	Typ pilového listu
		Kuchyňské pracovní linky, pracovní desky, laminované desky	Vysoká rychlost	Běžný na dřevo
		Posuvné řezy, zakřivené řezy, ruční ořezy, tvrdá dřeva, obklady, podlahy	Vysoká rychlost	Vykruzovací Běžný na dřevo
		Překližka a dřevěné panely	Vysoká rychlost	Běžný na dřevo
		Běžné dřevo, měkké dřevo, rychlé přeřezávání	Vysoká rychlost	Běžný na dřevo
		Plasty, plexisklo, PVC	Střední rychlost	Univerzální
		Tenké kovové plechy, keramické obkladačky, tabule se skelným vláknem	Pomalá rychlost	Na kov nebo keramiku, na skelné vlákno
		Pomalé otáčky, přesný začátek	Velmi pomalá rychlost	Pilový list zvolte podle dané aplikace

Zapnutí a vypnutí

- ♦ Chcete-li nářadí zapnout, stiskněte hlavní spínač (zapnuto / vypnuto) (2).
- ♦ Chcete-li nářadí vypnout, uvolněte hlavní spínač (2).

- ♦ Nepřetržitý chod nářadí zajistíte stisknutím zajišťovacího tlačítka (1) a uvolněním hlavního spínače (2).
- ♦ Nářadí v nepřetržitě chodu vypnete stisknutím a uvolněním hlavního spínače (2).

Řezání

Během řezání držte pilu pevně oběma rukama. Patka pily (7) by měla být pevně přitlačena k řezanému obrobku. Tak lépe zabráníte odskočení pily, zmenší se vibrace a bude minimalizována možnost zlomení pilového listu.

- ♦ Před zahájením řezu nechejte pilový list několik sekund v chodu naprázdno.
- ♦ Při provádění řezu nevyvíjejte na nářadí příliš velký tlak.

Práce s laserem (obr. H - K) (pouze pro modely L)

Vložení baterií (obr. H)

Laserový modul (14) odpojte od pily po demontáži šroubu (13) a následným vytažením laserového modulu směrem vpřed. Vložte dvě nové alkalické baterie 1,5 V typu AAA a ujistěte se, zda je dodržena správná polarita (+) a (-). Nasaďte laserový modul (14) na původní místo.

Srovnání laserového paprsku (obr. I)

Poznámka: Laser je používán jako pomocný prostředek pro vedení řezu a nezaručuje absolutně přesný řez.

Varování! Neprovádějte nastavování laseru, je-li pila připojena k elektrické síti.

- ♦ Podle potřeby srovnejte směr laserového paprsku s pilovým listem pomocí seřizovacího šroubu laseru (15).

Viditelnost laseru (výkon) je snížena, dojde-li k přehřátí pily. Je-li pila delší dobu přetížena, laserový paprsek nemusí být viditelný. Viditelnost laserového paprsku se vrátí na normální úroveň během chladnutí pily i po odpojení pily od elektrické sítě.

Varování! Nenechávejte přehřátý laser v poloze zapnuto (ON). Ujistěte se, zda je spínač v poloze vypnuto (OFF) a vyjměte baterie, aby bylo přerušeno napájení laseru.

Použití laseru (obr. J a K)

Laser promítá linii řezu (18) na povrch obrobku.

- ♦ Chcete-li laser zapnout, stiskněte tlačítko (16).
- ♦ Chcete-li laser vypnout, stiskněte znovu tlačítko (16).

Sledování vyznačené čáry řezu (17) přímo nad pilou zajistí snadné provedení řezu. Pokud by sledování čáry řezu bylo z jakéhokoliv důvodu omezeno, pro vedení řezu může být použit laserový paprsek.

- ♦ Tužkou si vyznačte čáru řezu (17).
- ♦ Umístěte pilu nad vyznačenou čáru řezu (17).
- ♦ Zapněte laser.

Práce s diodovou svítilnou (obr. L a M) (pouze pro modely W)

Modely s označením W v katalogovém čísle jsou vybaveny diodovou svítilnou (19), která osvětluje pracovní plochu v okolí pilového listu.

- ♦ Chcete-li diodovou svítilnu zapnout, přesuňte přepínač (20) do polohy (I).
- ♦ Chcete-li diodovou svítilnu vypnout, přesuňte přepínač (20) do polohy (0).

Rady pro optimální použití

Řezání vrstvených materiálů

Při řezání vrstvených desek mohou vznikat otřepy, které povrch desky znehodnotí. Nejpoužívanější pilové listy provádějí řez při pohybu směrem vzhůru, proto v případě, kdy je patka pily přitlačena na lícovou stranu desky, použijte pilový list, který provádí řez při pohybu směrem dolů, nebo:

- ♦ Používejte pilové listy s jemnými zuby.
- ♦ Provádějte řez ze zadní strany obrobku.
- ♦ Chcete-li štípání materiálu minimalizovat, sevřete obrobek z obou stran pomocí kousků dřeva nebo sololitu a provádějte řez přes celou sestavu.

Řezání kovu

Pamatujte si, že řezání kovu trvá mnohem déle než řezání dřeva.

- ♦ Používejte pilový list vhodný pro řezání kovu.
- ♦ Při řezání tenkých plechů připevněte na spodní stranu obrobku kousek dřeva a provádějte řez přes celou sestavu.
- ♦ Naneste na požadovanou čáru řezu olejový film.

Údržba

Vaše nářadí Black & Decker bylo zkonstruováno tak, aby pracovalo co nejdéle s minimálními nároky na údržbu. Dlouhodobá bezproblémová funkce zařízení závisí na jeho řádné údržbě a pravidelném čištění.

- ♦ Pravidelně čistěte větrací otvory nářadí měkkým kartáčem nebo suchým hadříkem.
- ♦ Pomocí vlhkého hadříku pravidelně čistěte kryt motoru. Nepoužívejte žádné brusné nebo rozpouštěcí čisticí prostředky. Zabraňte vniknutí jakékoliv kapaliny do nářadí a nikdy neponořujte jakoukoliv část nářadí do kapaliny.

Výměna síťové zástrčky (pouze pro Velkou Británii a Irsko)

Budete-li instalovat novou zástrčku napájecího kabelu:

- ♦ Zajistěte ekologické odstranění staré zástrčky.

- ◆ Připojte hnědý vodič ke svorce pod napětím na nové zástrčce.
- ◆ Modrý vodič připojte k nulové svorce.

Varování! K uzemňovací svorce nesmí být připojen žádný vodič. Dodržujte montážní pokyny dodávané s kvalitními zástrčkami. Doporučená pojistka: 5 A.

Ochrana životního prostředí



Tříděný odpad. Tento výrobek nesmí být vyhozen do běžného domovního odpadu.

Jakmile zjistíte, že nářadí Black & Decker musíte vyměnit nebo jej nebudete dále používat, myslete na ochranu životního prostředí a nevyhazujte nářadí do domácího odpadu. Zlikvidujte toto nářadí ve tříděném odpadu.



Tříděný odpad umožňuje recyklaci a opětovné využití použitých výrobků a obalových materiálů. Opětovné použití recyklovaných materiálů pomáhá chránit životní prostředí před znečištěním a snižuje spotřebu surovin.

Při zakoupení nových výrobků vám prodejny, místní sběrný odpadů nebo recyklační stanice poskytnou informace o správné likvidaci elektro odpadů z domácnosti.

Také společnost Black & Decker, poskytuje možnost sběru použitých výrobků nebo jejich recyklaci. Chcete-li získat výhody této služby, odevzdejte prosím vaše nářadí jakémukoliv autorizovanému servisu Black & Decker, který nářadí odebere a zajistí jeho recyklaci.

Kontakty na regionální střediska Black & Decker naleznete v tomto návodu. Seznam značkových servisů Black & Decker, další podrobnosti o našem prodejním servisu a ostatní kontakty naleznete na naší internetové adrese: www.2helpU.com

Baterie



Po ukončení provozní životnosti likvidujte baterie tak, aby nedošlo k ohrožení životního prostředí:

- ◆ Zabraňte zkratu kontaktů baterie.
- ◆ Při likvidaci nevhazujte nepotřebné baterie do ohně, protože by mohlo dojít k zranění osob nebo k explozi baterií.

Technické údaje

	KS800S
	KS800SL
	TYP1
Napájecí napětí	V 230
Jmenovitý příkon	W 520
Otáčky naprázdno	min ⁻¹ 800- 3000
Max. hloubka řezu	
Dřevo	mm 70
Ocel	mm 5
Hliník	mm 15
Hmotnost	kg 2,2

Hladina akustického tlaku podle normy EN 60745:
Akustický tlak (L_{pA}) 89 dB(A), odchylka (K) 3 dB(A)
Akustický výkon (L_{WA}) 100 dB(A), odchylka (K) 3 dB(A)

Celková úroveň vibrací (prostorový vektorový součet) podle normy EN 60745:

Řezání dřeva ($a_{h,CW}$) 6,0 m/s², odchylka (K) 1,5 m/s²,
Řezání kovu ($a_{h,CM}$) 6,5 m/s²,
odchylka (K) 1,5 m/s²

ES Prohlášení o shodě v rámci EU SMĚRNICE PRO STROJNÍ ZAŘÍZENÍ



KS800S, KS800SL

Společnost Black & Decker prohlašuje, že tyto produkty popisované v technických údajích splňují požadavky následujících norem: 2006/42/EC, EN60745-1, EN60745-2-11

Tyto výrobky splňují také požadavky směrnice 2004/108/EC a 2011/65/EU.

Chcete-li získat další informace, kontaktujte prosím společnost Black & Decker na následující adrese nebo na adresách, které jsou uvedeny na konci tohoto návodu.

Níže podepsaná osoba je odpovědná za sestavení technických údajů a provádí toto prohlášení v zastoupení společnosti Black & Decker.

Kevin Hewitt
Viceprezident
pro spotřebitelskou techniku
Black & Decker Europe,
210 Bath Road, Slough,
Berkshire, SL1 3YD, Velká Británie
23-04-2012

Záruka

Společnost Black & Decker je přesvědčena o kvalitě svých výrobků a nabízí mimořádnou záruku. Tato záruka je nabízena ve prospěch zákazníka a nijak neovlivní jeho zákonná záruční práva. Tato záruka platí ve všech členských státech EU a v evropské zóně volného obchodu EFTA.

Objeví-li se na výrobku Black & Decker, v průběhu 24 měsíců od zakoupení, jakékoli materiálové či výrobní vady, garantujeme ve snaze o minimalizování vašich starostí bezplatnou výměnu vadných dílů, opravu nebo výměnu celého výrobku za níže uvedených podmínek:

- ◆ Výrobek nebyl používán pro obchodní nebo profesionální účely a nedocházelo-li k jeho pronájmu.
- ◆ Výrobek nebyl vystaven nesprávnému použití a nebyla zanedbána jeho předepsaná údržba.
- ◆ Výrobek nebyl poškozen cizím zaviněním.
- ◆ Opravy nebyly prováděny jinými osobami, než autorizovanými opraváři nebo mechaniky autorizovaného servisu Black & Decker.

Požadujete-li záruční opravu, budete muset prodejci nebo zástupci autorizovaného servisu předložit doklad o zakoupení výrobku. Místo nejbližšího autorizovaného servisu Black & Decker naleznete na příslušné adrese uvedené v tomto návodu. Seznam autorizovaných servisů Black & Decker a podrobnosti o poprodejním servisu naleznete také na internetové adrese:

www.2helpU.com

Navštivte prosím naši internetovou stránku **www.blackanddecker.co.uk**, abyste mohli zaregistrovat váš nový výrobek Black & Decker a kde budete informováni o našich nových výrobcích a speciálních nabídkách. Na adrese **www.blackanddecker.co.uk** jsou k dispozici další informace o značce Black & Decker a o celé řadě našich dalších výrobků.

Rendeltetészerű használat

Black & Decker dekopírfűrészét fa, műanyagok és fémek fűrészelésére terveztük. Ezt a készüléket fa, műanyagok, és fémlemezek vágására terveztük. A fűrész iparszerű felhasználásra nem alkalmas.

Biztonságtechnikai előírások

Általános biztonságtechnikai előírások



Figyelem! Figyelmesen olvassa el a kezelési útmutatót a gép üzembe helyezése előtt. Elektromos szerszám használatakor mindig tartsa be az alábbi alapvető biztonsági rendszabályokat, így elkerülheti a tűzveszély, az elektromos áramütés, a személyi sérülések és az anyag károsodásának lehetőségét.

Kérjük, gondosan őrizze meg a kezelési útmutatót, hogy a későbbiekben is bármikor utánanézhessen a géppel kapcsolatos összes információnak. Mielőtt bármilyen beállítást változtat a gépen, vagy karbantartási munkába kezd, mindig csatlakoztassa le a készüléket a hálózati áramforrásról.

1. Munkaterület

- a. **Tartsa rendben és világítsa meg munkahelyét.** A zsúfolt, rendetlen munkaterület növeli a balesetveszélyt. Gondoskodjon a munkaterület megfelelő megvilágításáról.
- b. **Ne használja a készüléket robbanás és tűzveszélyes helyeken, például gyúlékony folyadékok és gázok közelében.** Elektromos kéziszerszámok használatakor szikra keletkezhet, mely begyűjthetja a port vagy gázt.
- c. **Tartsa távol a gyerekeket.** Gondoskodjon arról, hogy gyereket, más személyek vagy állatok ne közelíthessék meg a munkaterületet, ne érinthessék meg a készüléket és a hálózati kábelt, továbbá elvonhatják figyelmét a készülék irányításáról.

2. Elektromos biztonság

- a. **A készülék csatlakozódugójának illeszkednie kell a dugaszoló aljzathoz. Soha ne változtasson a csatlakozódugón. Soha ne használjon semmilyen adaptert földelt készülékekkel.** Az eredeti csatlakozódugó és a megfelelő dugaszoló aljzat használatával jelentősen csökkenthető az elektromos áramütés kockázata.

- b. **Kerülje az érintkezést fémes részekkel (például csövek, radiátorok, tűzhelyek és hűtőszekrények).** Viseljen gumitalpú cipőt. Extrém munkakörülmények között (pl.: magas páratartalom, fémpor keletkezése esetén) az elektromos biztonság növelhető egy leválasztó transzformátor vagy hibaáram-védelmi kapcsoló előkapcsolásán keresztül
- c. **Legyen figyelemmel a környezeti behatásokra.** Ne hagyja szabadban a gépet, óvja az esőtől. Ne használja nyirkos, nedves környezetben.
- d. **Bánjon gondosan a kábellel. Soha ne a kábelnél fogva vigye a gépet, és kérjük, ne a kábelnél fogva húzza ki a csatlakozódugót a konnektorból. Tartsa távol a kábelt éles szélektől, védje olajtól és hőtől. Minden használat előtt ellenőrizze a kábel állapotát, és ne indítsa be a gépet, ha a kábel sérült.** Sérült vagy összetekeredett hálózati kábel használata jelentősen növelheti az elektromos áramütés kockázatát.
- e. **A szabadban kizárólag csak az arra jóváhagyott és jelöléssel ellátott hosszabbító kábelt szabad használni.** Használat előtt ellenőrizze a hosszabbító kábelt és cserélje le, ha sérült. Teljesítmény csökkenés nélkül max. 30m hosszú, kéteres Black & Decker hosszabbító kábelt használhat.
- f. **Ha elkerülhetetlen a készülék nedves környezetben való használata, használjon egy leválasztó transzformátort vagy hibaáram-védelmi kapcsolót.** Extrém munkakörülmények között (pl.: magas páratartalom, fémpor keletkezése esetén) az elektromos biztonság növelhető egy leválasztó transzformátor vagy hibaáram-védelmi kapcsoló előkapcsolásán keresztül

3. Személy védelem

- a. **Figyeljen munkájára. Figyeljen mindig arra, amit tesz. Használja az összes érzékszervét. Ne használja a készüléket, ha fáradt, vagy ha hallucinogén anyag, alkohol vagy gyógyszeres befolyásolttság alatt áll.** Elektromos kéziszerszám használatakor pillanatnyi figyelmetlenség is súlyos baleset előidézője lehet.
- b. **Viseljen védőfelszerelést. Mindig viseljen védőszemüveget.** Használjon arc vagy pormaszkot, ha az elvégzendő munka nagy porral, vagy lepattanó részekkel járhat. Ügyeljen a hallásvédelemre is.

- c. Ne hagyja felügyelet nélkül bekapcsolva a gépet. Győződjön meg róla, hogy az üzemi kapcsoló kikapcsolt állapotban van, mielőtt az áramforrásra csatlakoztatja.** Ne szállítsa a feszültség alatt lévő gépet újjával az üzemi kapcsolón, mivel ez súlyos baleset előidézője lehet.
- d. Ne hagyjon szerelőkulcsot a gépben.** A munka megkezdése előtt mindig ellenőrizze, hogy a szerelőszerszámot (kulcsot) eltávolította-e a készülékből.
- e. Álljon biztonságosan. Kerülje a rendellenes testtartást, és egyensúlyát soha ne veszítse el munkavégzés közben.** Így jobban irányíthatja a készüléket, még váratlan helyzetekben is.
- f. Viseljen megfelelő munkaruházatot. Szabadban viseljen gumikesztyűt és csúszásmentes lábbelit. Ne hordjon ékszert vagy laza ruházatot munkavégzés közben. Tartsa távol hosszú haját, ruházatát és munkakesztyűjét a mozgó részekről.** A laza ruházat, ékszerek vagy hosszú haj beakadhatnak a mozgó részekbe. Hosszú haj esetében használjon sapkát, hogy ne zavarja a munkában.
- g. Ha a készüléken megtalálható a porelszívási lehetőség, vagy a porzsák, úgy ügyeljen arra, hogy megfelelően csatlakoztassa és használja ezeket munka közben.** Porelszívó berendezés használatával nagymértékben csökkenthető a por okozta veszélyek.
- 4. Az elektromos kéziszerszám használata és ápolása**
- a. Mindig a megfelelő szerszámot használja. Ne erőltesse a kéziszerszámot.** A készülék rendeltetésszerű használatáról korábban már említést tettünk. Ne erőltesse túl a kisebb teljesítményű készülékeket, vagy tartozékokat, nagyobb teljesítményt igénylő munkánál. A termékkel jobban és biztonságosabban elvégezheti a munkát, hogy ha a teljesítmény kategóriájának megfelelően használja. **Figyelem!** Az Ön biztonsága érdekében csak olyan tartozékot, illetve kiegészítő berendezést használjon, melyet a kezelési utasítás ajánl.
- b. Ne használja a gépet, ha a kapcsoló nem működőképes.** Bármely kéziszerszám használata, amely nem irányítható megfelelően az üzemi kapcsolóval, nagyon veszélyes, ezért azonnal meg kell javíttatni a kapcsolót, ha sérült vagy nem működőképes.
- c. Áramtalanítsa a készüléket.** Mindig áramtalanítsa a készüléket, ha nem használja azt; mielőtt változtatna a gép bármely beállításán; tartozékot vagy feltétet cserél; valamint a termék átvizsgálása előtt.
- d. Ügyeljen a készülék megfelelő tárolására. Ha nem használja a készüléket, tartsa száraz, gyermekek elől gondosan elzárt helyen.** Az elektromos kéziszerszámok használata veszélyes lehet nem képzett felhasználó esetén.
- e. Ellenőrizze a készülék állapotát. Használat előtt mindig ellenőrizze a készüléket és a hálózati kábelt. Vizsgálja meg, hogy a mozgó részek megfelelően működnek, nincsenek akadályoztatva. Ellenőrizze a részegységeket, olajozásukat, esetleg előforduló töréseit, a kézvédő vagy a kapcsoló sérüléseit és minden olyan rendellenességet, ami befolyásolhatja a készülék használatát.** Bizonyosodjon meg róla, hogy a készülék megfelelően működik, és a kategóriájával egyenértékű teljesítményt biztosít. Ne használja a gépet, ha valamelyik alkatrésze sérült. A sérült vagy hibás alkatrészek javítását vagy cseréjét csak a kijelölt szakszervizek végezhetik. Soha ne kísérelje meg a javítást Önállóan, a sérült részeket és védőberendezéseket előírás szerint kell javíttatni vagy cseréltetni.
- f. A vágóeleket tartsa élesen és tisztán a jobb és biztonságosabb munkavégzés érdekében.** Kövesse a karbantartásra és tartozékcserére vonatkozó előírásokat. Tartsa a fogantyúkat és kapcsolókat szárazon, tisztán és olajtól, zsírtól mentesen.
- g. Rögzítse a munkadarabot. Használjon satut vagy más leszorító eszközt a munkadarab rögzítésére.** Így biztonságossá válik a munkavégzés, és mindkét keze szabadon marad a gép irányítására.
- 5. Javítás**
- a. Ez a kéziszerszám megfelel a vonatkozó biztonsági előírásoknak. Javítást csak szakszerviz végezhet, és csak eredeti gyári alkatrészeket szabad felhasználni.** A szakszerűtlen javítás súlyos baleset előidézője lehet.

Kiegészítő biztonságtechnikai előírások késziszerszámokhoz



Figyelem! Kiegészítő biztonságtechnikai előírások dekopírfűrészekre.

- ◆ **A készüléket csak a szigetelt markolati felületen tartsa, ha olyan munkát végez, ahol a befogott tartozék rejtett vezetékkel vagy saját hálózati kábelével érintkezhet.** Élő vezetékkel való találkozás a készülék fém részeit is élővé, vezetővé teszi, és így elektromos áramütés veszélyét jelenti a felhasználó számára.
- ◆ **Használjon lezorító eszközt vagy satut a munkadarab biztosításához, illetve megtámasztásához.** Az irányítás elvesztéséhez vezethet, és személyi sérülést okozhat, ha a munkadarabot a kezében tartja, vagy testéhez támasztja.
- ◆ **Tartsa a munkaterülettől távol kezeit munkavégzés közben.** Soha ne nyúljon semmilyen okból a munkadarab alá. Soha ne helyezze ujjait a fűrészlap és a fűrészlap befogó közelébe. Soha ne próbálja úgy stabilizálni a készüléket, hogy a fűrészlapat megmarkolja.
- ◆ **Tartsa a fűrészlapot élesen. Soha ne használjon életlen vagy sérült fűrészlapot.** Az életlen vagy helytelenül beállított fűrészlap szűk vágásvonalat eredményez, így a feszültség növekedhet, a fűrészlap megakadhat, és ez visszacsapáshoz vezet. Mindig az anyaghoz és a vágástípushoz megfelelő fűrészlapot használja.
- ◆ **Ha csövet vagy vízvezetékét vág, mindig ellenőrizze, hogy ne legyen benne víz, elektromos vezeték, stb.**
- ◆ **Soha ne érintse meg a munkadarabot vagy a fűrészlapot rögtön a vágás befejezése után.** Ezek felforrósodhatnak, így sérülést okozhatnak.
- ◆ **Mielőtt falazatba vagy padlózatba vág, ügyeljen a rejtett fém csövek és elektromos vezetékek helyzetére.** Fűrészelés előtt győződjön meg arról, hogy a vágandó terület akadálytól mentes, különösen a vágásvonal másik oldalán.
- ◆ **A fűrészlap a kapcsoló elengedése után néhány pillanatig még mozogni fog.** Mindig kapcsolja ki a készüléket és várja meg, míg a fűrészlap teljesen megáll, mielőtt leteszi kezéből a gépet.

Figyelem! A vágási alkalmazásokkor keletkező porral való érintkezés vagy belégzés veszélyt jelenthet a munkaterületen tartózkodók és a felhasználó egészségére. Viseljen pormaszkot, melyet speciálisan arra terveztek, hogy megvédje használóját a keletkezett portól és páráról. Ügyeljen arra, hogy a munkaterületen tartózkodó összes személy is viselje a pormaszkot.

- ◆ A készülék rendeltetésszerű használatát már korábban leírtuk. Ne erőltesse túl a kisebb teljesítményű készülékeket, vagy tartozékokat, nagyobb teljesítményt igénylő munkánál. A termékkel jobban és biztonságosabban elvégezheti a munkát, hogy ha a teljesítmény kategóriájának megfelelően használja. Ne erőltesse a szerszámot. Az Ön biztonsága érdekében csak olyan tartozékot, illetve kiegészítő berendezést használjon, melyet a kezelési utasítás ajánl.

Mások biztonsága

- ◆ Ezt a terméket nem használhatják korlátozott fizikai, mentális képességekkel rendelkező, vagy gyakorlattal és ismeretekkel nem rendelkező személyek (beleértve a gyermekeket is); kivétel, ha a biztonságukért felelős személy felügyeletet és tájékoztatást biztosít számukra.
- ◆ A gyerekeket felügyelni kell, nehogy játszanak a termékkel.

Vibráció

A megállapított vibráció emisszió érték a standard teszt módszer szerint EN60745 szabvány szerint van mérve, és egy másik készülékkel való összehasonlításra szolgál. A megállapított vibráció emisszió érték, szintén használható a kitétségi előzetes megbecsülésére.

Figyelem! A vibráció emisszió érték a készülék használatakor eltérhet a megállapított értéktől a készülék használatának módjától függően. A vibráció érték az itt megállapított szint fölé emelkedhet.

A keletkező vibrációs mérték meghatározása: a 2002/44/EC szabvány szerint adott a biztonságos érték, azonban azok védelmében, akik rendszeresen használják a készüléket, egy becsült érték figyelembe vétele szükséges, mely számításba veszi a kitétségi időintervallumát, a munkaterület karakterisztikáját, a készülék használati módját, beleértve részegységek működési ciklusát, mint pl. a készülék be- és

kikapcsolása a kapcsolóra gyakorolt hatása.

Figyelmeztető szimbólumok a készüléken



Figyelem! Sérülésveszély csökkentéséhez, figyelmesen olvassa el a kezelési útmutatót a készülék üzembe helyezése előtt.

Elektromos biztonság



Ez a készülék kettősszigetelésű, ezért a földelés nem szükséges. Mindig ellenőrizze, hogy a hálózati feszültség megfelel-e a gép adattábláján feltüntetettnek!

- ♦ Ha a hálózati kábel sérült, azonnal cseréltesse le egy Black & Decker szakszervizben.

Kiegészítő biztonságtechnikai előírások nem újratölthető akkumulátorokhoz

- ♦ Ne kísérletezzen az akkumulátor felnyitásával.
- ♦ Olyan helyen tárolja az akkut, ahol a hőmérséklet nem haladja meg a 40°C-ot.
- ♦ A tönkrement akkumulátorról gondoskodjon a "Környezetvédelem" fejezetben leírtak szerint.

Tilos az akkut tűzbe dobni!

- ♦ Szélsőséges körülmények között történő használatkor előfordulhat, hogy akkufolyadék szivárog ki az akkumulátorból. Ekkor járjon el a következőképpen:
 - Óvatosan törölje le a folyadékot az akkuról egy kendővel. Kerülje, hogy bőre az akkufolyadékkal érintkezzen.

Kiegészítő biztonságtechnikai előírások lézerekhez



Olvassa el figyelmesen a kezelési utasítást.



Ezt a készüléket 16 év alatti gyermek nem használhatja.



Figyelem! Lézersugárzás.



Tilos a lézernyaládba nézni!



Tilos megnézni a lézernyalábot közvetlenül, optikai eszközzel!

- ♦ Ez a lézeregység megfelel a 2 osztály következő szabványainak IEC60825-1:2007. A lézerdiódot ne cserélje le másik típusra. Ha megsérült, a lézeregység javítását csak szakszerviz végezheti el.

- ♦ A lézert kizárólag lézervonalak kivetítésére alkalmazza, ne használja más alkalmazásra.
- ♦ A szemet 2 osztályú lézersugárnak maximálisan 0,25 másodperc időintervallumig szabad kitenni. A szemháj reflexek általában elegendő védelmet biztosítanak. 1 méternél nagyobb távolság esetén, a lézersugár, 1 osztályúnak felel meg és így teljesen biztonságosnak tekinthető.
- ♦ Soha ne nézzen közvetlenül és szándékosan a lézersugárba.
- ♦ Tilos megnézni a lézernyalábot optikai eszközzel!
- ♦ Soha ne tegye olyan helyzetbe a lézeregységet, hogy a nyaláb bárkit is keresztezhetne fejmagasságban.
- ♦ Ne engedjen gyerekeket a lézeregység közelébe.

Leírás

1. Tartósüzem rögzítő gomb
2. Ki/be üzemi kapcsoló
3. Fűrészlap tároló rekesz fedél
4. Fűrészlap rögzítő kar
5. Porelszívó kimenet
6. Porelszívó adapter
7. Fűrészlap
8. Auto Select™ üzemmód választó kerék
9. Fűrészlap támasztógörgő
10. Szerszám nélküli fűrészlap befogó

További funkciók (A ábra)

További funkciók érhetőek el a megvásárolt termék pontos típusától függően. Az elérhető további funkciók az „A” ábrán látható katalógus számok szerint azonosíthatóak.

Összeszerelés

Figyelem! Mielőtt elkezdi a gép összeszerelését, győződjön meg arról, hogy a hálózati csatlakozó le van választva az áramforrásról, a készülék ki van kapcsolva és a fűrészlap teljesen megállt. A használt fűrészlapok felforrósodhatnak.

A fűrészlap befogása (B ábra)

- ♦ Tartsa a fűrészlapot (11) az ábra szerint, fogakkal előre.
- ♦ Nyomja le és tartsa lenyomva a fűrészlap befogót (10).
- ♦ Helyezze be a fűrészlap szárát a fűrészlap tartóba (12) és tolja be ütközésig.
- ♦ Engedje el a fűrészlap befogót (10).

Fűrészlap tárolása (C ábra)

A fűrészlapok (11) a készülék oldalán található tároló rekeszben helyezhetőek el.

- ◆ Nyissa fel a fűrészlap tároló rekesz fedelét (3) a fedélen lévő fül segítségével.
- ◆ A fűrészlapokat egy mágneses csík tartja a tároló rekeszben. A fűrészlap eltávolításához nyomja le a fűrészlap egyik végét a másik vég megemeléséhez, és távolítsa el.
- ◆ Csukja be a fűrészlap tároló rekesz fedelét (3), és ellenőrizze, hogy megfelelően rögzült.

Figyelem! Biztosan zárja be a rekesz ajtaját, mielőtt a készüléket beindítja.

Porelszívó csatlakoztatása a készülékhez (D ábra)

A készülékhez porszívó vagy porelszívó berendezés is csatlakoztatható, de ehhez szükség van egy porelszívó adapterre. Az adaptert (6) bármelyik Black & Decker szakkereskedőnél megvásárolhatja.

- ◆ Nyomja a porelszívó adaptert (6) a porkiömlő nyílásra (5).
- ◆ Csatlakoztassa a porszívó csövet az adapterhez (6).

Maradványkockázatok

A biztonsági figyelmeztetésekben ismertetett kockázatok mellett más kockázatok is jellemezhetik a szerszám használatát. Ezek a kockázatok a szerszám rendeltetésétől eltérő, illetve huzamos használatából stb. adódhatnak.

A vonatkozó biztonsági előírások alkalmazása és a védőeszközök használata ellenére bizonyos maradványkockázatokat nem lehet elkerülni. Ezek a következők:

- ◆ A forgó/mozgó alkatrészek megérintése által okozott sérülés.
- ◆ Az alkatrészek, vágólapok, tartozékok cseréje által okozott sérülés.
- ◆ A szerszám huzamos használata által okozott egészségkárosodás. Bármely szerszám huzamosabb ideig való használata esetén tartson rendszeres munkaszüneteket.
- ◆ Halláskárosodás.
- ◆ A használat közben famunkáknál keletkező por belégzése miatti egészségkárosodás, különös tekintettel a tölgy, bükk és MDF anyagokra).

A készülék használata

A fűrésztalp beállítása szögvágáshoz (E és F ábra)

Figyelem! Soha ne használja a fűrész akkor, ha a fűrésztalp nem megfelelően van rögzítve, vagy ha el van távolítva a készülékről. A fűrésztalp (7) bal és jobb irányban is 45°-ig dönthető.

- ◆ Húzza ki a fűrésztalp rögzítő kart (4) a fűrésztalp (7) 0 fokból való kioldásához (E ábra).
- ◆ Húzza a fűrésztalpat (7) előre, állítsa be a kívánt 15°, 30° és 45° szögbe, ami a dőlésszög kijelző ablakon látható.
- ◆ Nyomja a fűrésztalp rögzítő kart (4) hátra a fűrész felé a fűrésztalp (7) rögzítéséhez.

A fűrésztalp (7) visszaállítása merőleges helyzetbe, egyenes vonalak vágására:

- ◆ Húzza ki a fűrésztalp rögzítő kart (4) a fűrésztalp (7) kioldásához.
- ◆ Állítsa a fűrésztalpat (7) 0° fokba, és nyomja a fűrésztalpat hátra.
- ◆ Nyomja a fűrésztalp rögzítő kart (4) hátra a fűrész felé a fűrésztalp (7) rögzítéséhez.

Hogyan használja az Auto Select™ üzemmód választó kereket (G ábra)

Ez a készülék egy egyedülálló Auto Select™ üzemmód választó kerékkel (8) van felszerelve, amellyel beállíthatja a sebességet és a fűrészlap pengeelötölését a különböző vágási alkalmazásoknak megfelelően. A vágandó munkaanyaghoz megfelelő optimális sebesség és fűrészlap pengeelötölés kiválasztásához, forgassa a kereket (8) az alábbi ábra szerint:

	Ikron	Alkalmazás	Sebesség / Pengeelötölás	Fűrészlap típus
		Konyhapult, munkaasztal, laminált lemez	Gyors sebesség, pengeelötölás nélkül	Általános fa
		Ívek/görbe vonalak vágása, kézműves alkalmazás, keményfák, deszka- és padlóburkolás	Gyors sebesség, pengeelötölás nélkül	Ívvágó fa Általános fa
		Furnérlemez, fatábla	Gyors sebesség, közepes pengeelötölás	Általános fa
		Általános fa, puhafa, gyors hasító vágás	Gyors sebesség, maximális pengeelötölás	Általános fa
		Műanyag, Plexi, PVC	Közepes sebesség, közepes pengeelötölás	Általános célú
		Fémlemez, bádoglemez, kerámialap, üvegszálalapok	Alacsony sebesség, pengeelötölás nélkül	Fűrészlap fémhez vagy kerámiához vagy üvegszálalapokhoz
		Lassú sebesség, pontos indítás	Lassú sebesség, pengeelötölás nélkül	Válassza ki az alkalmazáshoz megfelelő fűrészlapot

A készülék be- és kikapcsolása

- ◆ A készülék beindításához nyomja be az üzemi kapcsolót (2).
- ◆ A gép leállításához engedje el az üzemi kapcsolót (2).
- ◆ A tartósüzem használatához, nyomja be a tartósüzem rögzítő gombot (1) és engedje el az üzemi kapcsolót (2).

- ◆ Ha a gépet tartósüzem közben kívánja leállítani, nyomja meg még egyszer az üzemi kapcsolót (2) és engedje el.

Fűrészelés

Vágás közben tartsa a készüléket szorosan, két kézzel. A fűrészlapot (7) tartsa szorosan a vágandó munkaanyagnak. Így megelőzhető a készülék megugrása, csökkenthető a vibráció és minimalizálható a fűrészlap törése.

- ◆ Hagyja a fűrészlapot szabadon futni néhány másodpercig, mielőtt a vágáshoz kezd.
- ◆ Csak kis nyomást fejtsen ki a készülékre, mialatt fűrészel a készülékkel.

A lézer működtetése (H-K ábra) (CSAK „L” KIEGÉSZÍTÉSŰ TÍPUSOKNÁL)

Az elemek behelyezése (H ábra)

Szerelje le a lézermodult (14) a készülékről úgy, hogy eltávolítja a csavart (13) és előre kihúzza a modult a készülékből. Helyezze be a két 1,5 Voltos AAA alkáli elemet a modulba, ügyelve rá, hogy a (+) és a (-) terminálok megfelelően illeszkedjenek. Szerelje vissza a lézermodult (14) a készülékbe.

A lézer beállítása (I ábra)

Megjegyzés: A lézer rendeltetésszerűen csak vágási segédvonalként használható és nem garantálja a pontos vágást.

Figyelem! Ne állítson a lézeren, ha a készülék áram alatt van.

- ◆ Használja a lézer állítócsavart (15) a lézervonal és a fűrészlappal párhuzamba állításához, ha szükséges.

A lézervonal láthatósága (teljesítménye) csökken, ha a dekopírfűrészt túlmelegedik. A lézervonal nem lesz látható, ha a fűrészt hosszabb ideig túlterheli. A lézervonal láthatósága fokozatosan visszatér a normál értékre, ha a készülék lehűl, még akkor is, ha a készüléket lekapcsolja az áramforrásról. **Figyelem!** Soha ne hagyja a túlmelegedett lézert bekapcsolva. Ellenőrizze, hogy a kapcsoló ki van kapcsolva és távolítsa el az elemeket a lézer teljes kikapcsolásához.

A lézer használata (J és K ábra)

A lézer kivetíti a vágási segédvonalat (18) a munkaanyag felületére.

- ◆ A lézermodul bekapcsolásához, nyomja meg a gombot (16).
- ◆ A lézermodul kikapcsolásához, nyomja meg a gombot (16) még egyszer.

Közvetlenül a fűrészt fölött nézve, a vágásvonal (17) könnyedén követhető. Ha ez a pozíció bármilyen oknál fogva korlátozottan van, a lézer alternatív vágási vezetőként használható.

- ◆ Jelölje meg egy ceruzával a vágásvonalat (17).
- ◆ Helyezze a dekopírfűrészt a vonalra (17).
- ◆ Kapcsolja be a lézermodult.

A munkalámpa működtetése (L és M ábra) (CSAK „W” KIEGÉSZÍTÉSŰ TÍPUSOKNÁL)

Azok a típusok, melyeknek a katalógusszámában „W” szerepel, egy LED lámpával (19) vannak felszerelve a fűrészlappal körüli terület megvilágításához.

- ◆ A munkalámpa bekapcsolásához, csúsztassa a kapcsolót (20) be pozícióba (I).
- ◆ A munkalámpa kikapcsolásához, csúsztassa a kapcsolót (20) ki pozícióba (0).

Javaslatok az optimális munkavégzéshez

Rétegelt lapok fűrészelése

Ahogy a fűrészlappal felfelé mozog az anyagban, a felületen a talp közelében hasadás keletkezhet. A legtöbb fűrészlappal felfelé ütemben vág, így ha a fűrésztalp a munkaanyag színén helyezkedik el, vagy használjon lefelé ütemben vágó fűrészlappal, vagy:

- ◆ Használjon finom fogazású fűrészlappal.
- ◆ A munkadarabot a fordított oldaláról fűrészelje.
- ◆ A hasadás minimalizálásához erősítsen a munkadarab mindkét oldalára egy darab puhafát vagy préselt falapot és ezen a „szendvicsen” keresztül fűrészeljen.

Fémek fűrészelése

Legyen tudatában annak, hogy a fémek fűrészelése sokkal több időt vesz igénybe, mint a faanyagok fűrészelése.

- ◆ Kizárólag fémvágó fűrészlappal használjon. Vastartalmú fémekhez finom fogazású, míg a nem vastartalmú fémekhez durvább fogazású fűrészlappal szükséges.
- ◆ Ha vékony fémlamezt fűrészel, erősítsen a munkadarab hátsó oldalára egy darab puhafát vagy préselt falapot és ezen a „szendvicsen” keresztül fűrészelje.
- ◆ Tegyen a kívánt vágásvonalra egy vékony olajcsíkot.

Karbantartás

Az Ön készüléke minimális karbantartás mellett hosszú távú felhasználásra lett tervezve.

A készülék folyamatos megfelelő működése nagymértékben függ az alapos ápolástól és a rendszeres tisztítástól.

- ◆ Rendszeresen tisztítsa meg a készülék levegőréseit egy puha kefével vagy száraz ronggyal.
- ◆ A készülék tisztításához használjon egy enyhén nedves szappanos kendőt. Ne használjon karcot hagyó tisztítószert vagy oldószer bázisú

anyagot. Akadályozza meg, hogy folyadék kerüljön a készülék belsejébe. Soha ne mártsa a készülék semelyik részét folyadékba.

Tápcsatlakozó cseréje (csak az Egyesült Királyságban és Írországban)

Ha új tápcsatlakozó dugaszra van szükség:

- ◆ A régi dugaszt biztonságos módon semmisítse meg.
- ◆ A barna vezetékét kösse az új dugasz fáziscsatlakozójához.
- ◆ A nulla csatlakozóhoz kösse a kék vezetékét.

Figyelmeztetés! A földelő csatlakozóhoz nem kell vezetékét kötnie. Kövesse a minőségi csatlakozóaljzathoz mellékelt szerelési utasítást. Ajánlott biztosíték: 5 A.

Környezetvédelem



Elkülönített begyűjtés. Ezt a készüléket el kell különíteni a normál háztartási hulladéktól.

Egy napon, mikor készüléke eléri technikai élettartamának végét, vagy nincs további szüksége rá, gondoljon a környezetvédelemre. A terméket a normál háztartási hulladéktól elkülönítve kell megsemmisíteni.



Az elhasznált termékek és csomagolások elkülönített begyűjtése lehetővé teszi, ezek újrahasznosítását. Újrahasznosított vagy újra feldolgozott anyagok segítségével a környezetszennyezés, illetve a nyersanyagok iránti igény nagymértékben csökkenthető.

A helyi előírások rendelkezhetnek az elektromos készülékek háztartási hulladéktól elkülönített begyűjtéséről, helyhatósági hulladéklerakó helyeken vagy a kereskedők által új termék megvásárlásakor.

Black & Decker termékeire az élettartamuk lejártával visszavételi lehetőséget kínál. Ez a szolgáltatás ingyenes. Ha igénybe veszi ezt a szolgáltatást, kérjük, juttassa el készülékét a legközelebbi Black & Decker szervizbe, melyekről a Magyarországi Képviseletnél érdeklődhet.

A szervizzel kapcsolatosan a következő Internet oldalon is felvilágosítást kaphat:

www.2helpU.com.

Elemek



Hasznos élettartama végén a környezetvédelmi előírások betartásával selejtezze le.

- ◆ Ne zárja rövidre az akkumulátor sarkait.
- ◆ Az akkumulátort ne dobja tűzbe, mert ezzel robbanást vagy személyi sérülést okozhat.

Műszaki adatok

	KS800S	KS800SL	1-es TÍPUS
Feszültség	Vac	230	
Felvett teljesítmény	W	520	
Üresjáratú löketség	min ⁻¹	800-3000	
Maximális vágás kapacitás			
Fa	mm	70	
Fém	mm	5	
Alumínium	mm	15	
Súly	kg	2,2	

Hangnyomásszint EN 60745 szerint:

Hangnyomásszint (L_{pA}) 89 dB(A), toleranciafaktor (K) 3 dB(A), Hangteljesítmény szint (L_{WA}) 100 dB(A), toleranciafaktor (K) 3 dB(A)

Súlyozott effektív rezgés gyorsulás EN 60745 szerint mérve:

Fa fűrészelése ($a_{h,CW}$) 6,0 m/s², toleranciafaktor (K) 1,5 m/s², Fém fűrészelése ($a_{h,CM}$) 6,5 m/s², toleranciafaktor (K) 1,5 m/s²

CE megfelelési nyilatkozat GÉPEK IRÁNYELV



KS800S, KS800SL

A Black & Decker kinyilvánítja, hogy a „Műszaki adatok” részben ismertetett termékek megfelelnek a következő irányelveknek és szabványoknak:
2006/42/EK, EN60745-1, EN60745-2-11

Ezek a termékek a 2004/108/EK és a 2011/65/EU irányelveknek is megfelelnek.

További információért forduljon a Black & Decker vállalathoz az alábbi címen, vagy a kézikönyv hátoldalán található elérhetőségeken.

Alulírott felelős a technikai adatállomány összeállításáért és a Black & Decker nevében elkészített nyilatkozatért.

Kevin Hewitt
Alelnök, Global Engineering
Black & Decker Europe,
210 Bath Road, Slough,
Berkshire, SL1 3YD
23-04-2012

Általános garancia határozat

A Black & Decker elhivatott a termékei minősége iránt, és kiterjesztett garanciát kínál. Ez a garanciahatározat csak kiegészíti és semmi esetre sem befolyásolja hátrányosan az Ön törvényes jogait. A garancia az Európai Unió tagállamai területén, valamint az Európai Szabadkereskedelmi Társulás (EFTA) területén érvényes.

Ha egy Black & Decker termék anyaghiba, a kivitelezés módja vagy a megfelelés hiánya miatt meghibásodik, az eladás dátumától számított 24 hónapig a Black & Decker garanciát vállal a hibás alkatrészek cseréjére, a normál kopásnak kitett termékek javítására, illetve az ilyen termékek kicserélésére, hogy ügyfeleinek a lehető legkisebb kellemetlenséget okozza az alábbi feltételekkel:

- ◆ A terméket nem használták kereskedelmi, ipari alkalmazásokhoz, és nem adták bérbe;
- ◆ A terméket rendeltetésszerűen és körültekintően használták;
- ◆ A termék nem idegen tárgyaktól, szennyeződéstől vagy külső behatástól sérült meg;

- ◆ A termék javítására nem tett kísérletet olyan személy, aki nem tartozik a hivatalos szerviz vagy a Black & Decker szervizszemélyzet tagjai közé.

A garancia érvényesítéséhez az eladónak vagy a hivatalos szerviznek be kell nyújtani a vásárláskor kapott számlát. Ha igénybe veszi ezt a szolgáltatást, kérjük, juttassa el készülékét a legközelebbi Black & Decker szervizbe, melyekről a magyarországi képviselőnél érdeklődhet. A szervizzel kapcsolatban a következő Internet oldalon is felvilágosítást kaphat: www.2helpU.com.

A következő meghibásodások esetén a garancia kizárt:

- ◆ Elhasználódott, illetve károsodott kések, és a hálózati kábel. Azok az alkatrészek, amelyek a normál használat során elkopnak.
- ◆ Azok a meghibásodások, amelyek a szakszerűtlen kezelésből eredtek.
- ◆ Azok a hibák, amelyek a kezelési útmutató be nem tartásából eredtek.

Kérjük vegye figyelembe, hogy a jótállás nem terjed ki az olyan károsodásokra, amelyek nem eredeti Black & Decker kiegészítő készülékek és tartozékok használatából adódnak.

Kérjük, hogy a jótállási jegyen kívül a nyugtát vagy számlát is szíveskedjen megőrizni a gyorsabb és hatékonyabb ügyintézés érdekében.

Przeznaczenie

Wyrzynarka Black & Decker została zaprojektowana do piłowania drewna, tworzywn sztucznych i metalu. Narzędzie przeznaczone jest wyłącznie do użytku amatorskiego.

Zasady bezpiecznej pracy

Ogólne wskazówki dotyczące bezpiecznego użytkowania elektronarzędzi



Uwaga! Należy zapoznać się ze wszystkimi ostrzeżeniami dotyczącymi bezpiecznej pracy oraz z instrukcją obsługi. Nie stosowanie się do poniższych instrukcji może być przyczyną porażenia prądem elektrycznym, pożaru i/lub uszkodzenia ciała.

Zachowaj wszystkie instrukcje i informacje dotyczące bezpiecznej pracy, aby móc korzystać z nich w przyszłości. Określenie elektronarzędzie używane we wszystkich poniższych ostrzeżeniach dotyczy narzędzi zasilanych z sieci (przewodem zasilającym) lub narzędzi zasilanych akumulatorowo (bezp przewodowych).

1. Bezpieczeństwo w miejscu pracy


- a. **Utrzymuj miejsce pracy w czystości i dbaj o dobre oświetlenie.** Brak porządku i złe oświetlenie są częstą przyczyną wypadków.
- b. **Nie wolno używać elektronarzędzi w strefach zagrożenia wybuchem, w obecności palnych cieczy, gazów i pyłów.** W czasie pracy elektronarzędziami powstają iskry, które mogą powodować zapłon pyłów lub oparów.
- c. **W czasie pracy elektronarzędziami nie pozwalaj na przebywanie w pobliżu dzieci i innych osób postronnych.** Brak skupienia może spowodować utratę kontroli nad narzędziem.

2. Ochrona przed porażeniem prądem elektrycznym

- a. **Gniazdo musi być dostosowane do wtyczki elektronarzędzia. Nie wolno dokonywać przeróbek wtyczki. Nie wolno używać przejściówek do zasilania uziemionych elektronarzędzi.** Nie przerobione wtyczki i odpowiednie gniazda zmniejszają ryzyko porażenia prądem elektrycznym.
- b. **Unikaj bezpośredniej styczności z powierzchniami uziemionymi lub**

zerowymi (np. rurociągami, kaloryferami, kuchenkami i urządzeniami chłodniczymi). Ryzyko porażenia prądem elektrycznym wzrasta, jeśli twoje ciało jest zerowane lub uziemione.

- c. **Nie narażaj elektronarzędzi na działanie deszczu lub zwiększonej wilgotności.** Dostanie się wody do wnętrza elektronarzędzia zwiększa ryzyko porażenia prądem elektrycznym.
 - d. **Nie wolno ciągnąć za przewód zasilający. Nie podnoś, nie ciągnij i nie wyciągaj z gniazda wtyczki, poprzez ciągnięcie za przewód zasilający elektronarzędzia. Chronić przewód zasilający przed kontaktem z gorącymi elementami, olejami, ostrymi krawędziami i ruchomymi częściami.** Uszkodzenie lub zaplątanie przewodu zasilającego zwiększa ryzyko porażenia prądem elektrycznym.
 - e. **Do pracy poza pomieszczeniami zamkniętymi, należy używać przedłużacza przystosowanego do użycia na dworze.** Korzystanie z przedłużaczy przystosowanych do użycia na dworze, zmniejsza ryzyko porażenia prądem.
 - f. **Jeśli zachodzi konieczność pracy w wilgotnym otoczeniu, należy używać źródła zasilania zabezpieczonego wyłącznikiem różnicowoprądowym (RCD).** Stosowanie wyłączników różnicowoprądowych zmniejsza ryzyko porażenia prądem elektrycznym.
- ### 3. Środki ochrony osobistej
- a. **W czasie pracy elektronarzędziem zachowaj czujność, patrz uważnie i kieruj się zdrowym rozsądkiem. Nie należy używać elektronarzędzi, gdy jest się zmęczonym lub pod wpływem narkotyków, alkoholu czy leków.** Nawet chwila nieuwagi, w czasie pracy elektronarzędziem, może doprowadzić do poważnego uszkodzenia ciała.
 - b. **Używaj środków ochrony osobistej. Zawsze zakładaj okulary ochronne.** Środki ochrony osobistej, takie jak maska przeciwpyłowa, obuwie antypoślizgowe, kask oraz ochrona słuchu, stosowane w zależności od sytuacji, chronią przed obrażeniami.
 - c. **Zapobiegaj przypadkowemu włączeniu. Przed podłączeniem do zasilania i/lub włożeniem akumulatora oraz przenoszeniem narzędzia, upewnij się, że wyłącznik**

- jest w pozycji „wyłączone”. Trzymanie palca na wyłączniku w czasie przenoszenia lub podłączania do zasilania jest bardzo niebezpieczne.
- d. **Przed włączeniem narzędzia, należy usunąć wszystkie klucze i narzędzia do regulacji.** Pozostawienie elementów przyłączonych do części wirujących elektronarzędzia, może być bardzo niebezpieczne i spowodować uszkodzenie ciała.
 - e. **Nie wychylaj się. Nie wychylaj się i przyjmij stabilną pozycję, aby zawsze zachowywać równowagę.** Pozwala to na lepszą kontrolę pracy urządzenia w nieprzewidzianych okolicznościach.
 - f. **Załóż odpowiedni strój. Nie zakładaj luźnych ubrań ani biżuterii. Uważaj, aby nie zbliżać włosów, ubrania ani rękawic do ruchomych części.** Luźne ubranie, biżuteria lub długie włosy mogą zostać pochwycone przez ruchome części.
 - g. **Jeśli sprzęt jest przystosowany do przyłączenia urządzeń odprowadzających i zbierających pył, upewnij się, czy są one przyłączone i właściwie użytkowane.** Używanie takich urządzeń zmniejsza zagrożenia związane z obecnością pyłów.
4. **Obsługa i konserwacja elektronarzędzi**
 - a. **Nie wolno przeciążać elektronarzędzi. Należy używać elektronarzędzia przystosowanego do danego obciążenia.** Dzięki zastosowaniu odpowiedniego narzędzia, pracę można wykonać lepiej i w bezpieczny sposób, pracując w tempie, do którego zostało ono przeznaczone.
 - b. **Nie wolno używać elektronarzędzia z zepsutym wyłącznikiem, który nie pozwala na sprawne włączanie i wyłączenie.** Elektronarzędzie, którego pracy nie można kontrolować wyłącznikiem, jest niebezpieczne i musi zostać naprawione.
 - c. **Przed przystąpieniem do regulacji, wymiany akcesoriów oraz przed schowaniem elektronarzędzia, należy odłączyć wtyczkę od źródła zasilania i/ lub odłączyć akumulator od urządzenia.** Stosowanie takich środków zapobiegawczych zwiększa bezpieczeństwo i zmniejsza ryzyko przypadkowego uruchomienia elektronarzędzia.
 - d. **Nie używane elektronarzędzie przechowuj poza zasięgiem dzieci i nie dopuszczaj**
 - osób nie znających elektronarzędzia lub tej instrukcji do posługiwania się elektronarzędziem. Elektronarzędzia obsługiwane przez osoby nieprzygotowane stanowią zagrożenie.
 - e. **Regularnie dokonuj konserwacji elektronarzędzi. Sprawdź, czy ruchome części są właściwie połączone i zamocowane, czy części nie są uszkodzone oraz skontroluj wszelkie inne elementy mogące mieć wpływ na pracę elektronarzędzia. Wszelkie uszkodzenia należy naprawić przed rozpoczęciem pracy.** Wiele wypadków spowodowanych jest przez niedostateczną konserwację elektronarzędzi.
 - f. **Dbaj o czystość narzędzi i ostrość elementów tnących.** Zadbane narzędzia tnące, z ostrymi krawędziami tnącymi, rzadziej się zacinają i są łatwiejsze w prowadzeniu.
 - g. **Elektronarzędzi, akcesoriów, końcówek itp. należy używać zgodnie z niniejszą instrukcją, uwzględniając warunki i rodzaj wykonywanej pracy.** Używanie elektronarzędzi niezgodnie z przeznaczeniem może być niebezpieczne.
5. **Naprawy**
 - a. **Powierzaj naprawy elektronarzędzi wyłącznie osobom wykwalifikowanym, używającym identycznych części zamiennych.** Zapewni to bezpieczeństwo użytkownika naprawionego urządzenia.
- Bezpieczne użytkowanie elektronarzędzi - wskazówki dodatkowe**
-  **Uwaga!** Dodatkowe wskazówki dotyczące pracy wyrzynarkami.
- ♦ **W sytuacji, gdy istnieje prawdopodobieństwo zetknięcia narzędzia tnącego z ukrytym przewodem lub własnym przewodem zasilającym, należy trzymać urządzenie wyłącznie za izolowane uchwyty.** Zetknięcie z przewodem pod napięciem spowoduje pojawienie się napięcia na metalowych częściach obudowy i porażenie operatora.
 - ♦ **Używaj zacisków lub innego wygodnego sposobu mocowania i unieruchomienia obrabianego elementu.** Trzymanie elementu w rękach lub oparcie o własne ciało, nie zapewnia dostatecznej stabilizacji i może być przyczyną utraty kontroli nad narzędziem.

- ◆ **Trzymaj ręce w bezpiecznej odległości od miejsca cięcia.** W żadnym wypadku nie sięgaj od spodu pod obrabiany element. Nigdy nie wsuwaj palców lub kciuka w pobliże brzeszczotu i mocowania brzeszczotu. Nie wolno stabilizować wyrzynarki chwytając za stopę.
- ◆ **Dbaj o ostrość brzeszczotów.** Tępe lub uszkodzone brzeszczoty mogą być przyczyną zbaczania lub zahaczania piły przy obciążaniu. Zawsze należy używać brzeszczotów przeznaczonych do cięcia danego materiału i odpowiedniego do rodzaju prac.
- ◆ **W przypadku cięcia rur i kanałów należy się upewnić, czy nie ma w nich wody, przewodów elektrycznych itp.**
- ◆ **Nie dotykaj obrabianego elementu ani brzeszczotu bezpośrednio po zakończeniu cięcia.** Może być bardzo rozgrzany.
- ◆ **Uważaj na ukryte elementy niebezpieczne. Przed rozpoczęciem cięcia ścian, podłogi czy sufitu, sprawdź położenie przewodów i rur.**
- ◆ **Brzeszczot porusza się nawet po zwolnieniu wyłącznika.** Zanim odłożysz narzędzie, zawsze zaczekaj, aż brzeszczot całkiem się zatrzyma.

Uwaga! Bezpośredni kontakt lub wdychanie pyłu powstałego w trakcie cięcia może szkodzić zdrowiu wykonującego pracę i osób znajdujących się w pobliżu. Należy nosić specjalną maskę przeznaczoną do ochrony przed pyłem i oparami oraz upewnić się, że osoby w pomieszczeniu i wchodzące do pomieszczenia są również zabezpieczone.

- ◆ Przeznaczenie urządzenia jest opisane w instrukcji obsługi. Używanie jakichkolwiek akcesoriów lub wykonywanie prac sprzecznych z przeznaczeniem opisywanym w instrukcji obsługi, może powodować niebezpieczeństwo uszkodzenia ciała i/lub uszkodzenia mienia.

Bezpieczeństwo osób postronnych

- ◆ Opisywane urządzenie nie jest przeznaczone do użycia przez osoby o obniżonych możliwościach fizycznych, ruchowych lub umysłowych (także dzieci) lub o zbyt małej wiedzy i doświadczeniu, jeśli nie zostały one przeszkolone lub nie pozostają pod opieką osoby odpowiedzialnej za ich bezpieczeństwo.
- ◆ Należy pilnować dzieci, aby nie bawiły się urządzeniem.

Drgania

Podawana w tabeli danych technicznych oraz w deklaracji zgodności z normami wartość drgań (wibracji), została zmierzona zgodnie ze standardową procedurą zawartą w normie EN 60745. Informacja ta może służyć do porównywania tego narzędzia z innymi. Deklarowana wartość emitowanych drgań może również służyć do przewidywania stopnia narażenia użytkownika na wibracje.

Uwaga! Chwilowa siła drgań, występująca w czasie pracy elektronarzędziem, może odbiegać od podawanych wartości, w zależności od sposobu użytkowania urządzenia. Poziom wibracji może przekroczyć podawaną wartość.

Przy określaniu ekspozycji na wibracje, w celu podjęcia środków ochrony osób zawodowo użytkujących elektronarzędzia, zgodnie z normą 2002/44/EC, należy uwzględnić rzeczywiste warunki i rodzaj wykonywanej pracy. Także okresy przestoju i pracy bez obciążenia.

Oznaczenia na narzędziu



Uwaga! Aby zminimalizować ryzyko zranienia, użytkownik musi zapoznać się z instrukcją obsługi.

Ochrona przed porażeniem prądem elektrycznym



Opisywane elektronarzędzie jest podwójnie izolowane; dlatego nie ma konieczności stosowania dodatkowego uziemienia. Należy zawsze upewnić się, czy napięcie zasilania jest zgodne z wartością podaną na tabliczce znamionowej.

- ◆ Ze względów bezpieczeństwa, wymianę uszkodzonego przewodu zasilającego należy powierzyć producentowi lub autoryzowanemu serwisowi Black & Decker.

Dodatkowe wskazówki dotyczące bezpiecznego użytkowania baterii jednorazowych

- ◆ W żadnym wypadku nie wolno otwierać akumulatorów.
- ◆ Przechowywać w miejscach, w których temperatura nie przekracza 40 °C.
- ◆ Baterie należy utylizować, postępując zgodnie z zaleceniami umieszczonymi w rozdziale „Ochrona środowiska”.

Baterii nie wolno spalać.

- ◆ W wyjątkowych przypadkach może dojść do wycieku z baterii. Jeśli na baterii pojawi się płyn, należy:
 - Ostrożnie wytrzeć płyn szmatką. Unikać kontaktu ze skórą.

Dodatkowe wskazówki dotyczące bezpiecznego użytkowania laserów



Należy uważnie przeczytać instrukcję obsługi.



Niniejszy produkt nie nadaje się do użycia przez dzieci poniżej 16 roku życia.



Promieniowanie laserowe.



Nie wolno kierować wiązki lasera w kierunku oczu.



Nie wolno używać przyrządów optycznych do oglądania wiązki lasera.

- ◆ Opisany laser, zgodnie z IEC60825-1:2007 zaliczany jest do laserów klasy 2. Nie wolno zastępować diody lasera innym rodzajem. Naprawę uszkodzonego lasera należy powierzyć Autoryzowanemu Przedstawicielowi Serwisowemu.
- ◆ Lasera nie wolno używać w innych celach niż wyznaczanie linii.
- ◆ Maksymalny czas ekspozycji oka na wiązkę lasera klasy 2, uważany za bezpieczny, to 0.25 sekundy. Odruchy powiek stanowią zwykle wystarczającą ochronę. W odległości powyżej 1m laser spełnia wymagania klasy 1 i dlatego uważany jest za całkowicie bezpieczny.
- ◆ Nigdy nie wolno kierować wiązki bezpośrednio w oczy i wpatrywać się w nią.
- ◆ Nie wolno używać przyrządów optycznych do oglądania wiązki lasera.
- ◆ Nie wolno ustawiać urządzenia tam, gdzie wiązka lasera może znaleźć się na wysokości głowy innych osób.
- ◆ Nie wolno pozwalać na zbliżanie się dzieci do lasera.

Wyposażenie

1. Przycisk blokady wyłącznika
2. Wyłącznik
3. Pokrywa schowka na brzeszczoty
4. Dźwignia blokady stopy wyrzynarki
5. Przyłącze do odprowadzenia pyłu

6. Przejściówka do odprowadzenia pyłów
7. Stopa wyrzynarki
8. Pokrętło Auto Select™
9. Rolka prowadząca
10. Beznarzędziowe mocowanie brzeszczotu

Dodatkowe wyposażenie (Rys. A)

Dodatkowe wyposażenie zależne jest od zakupionego modelu urządzenia. Na Rys. A przedstawione są opcje wyposażenia dodatkowego, zależne od numeru urządzenia.

Montaż

Uwaga! Przed przystąpieniem do każdej z poniższych czynności upewnij się, czy narzędzie jest wyłączone i wtyczka zasilania jest wyjęta z gniazda oraz ostrze zatrzymało się. W czasie eksploatacji brzeszczot może się rozgrzać.

Montaż brzeszczotu (Rys. B)

- ◆ Trzymać brzeszczot (11) jak na rysunku, skierowany ząbkami do przodu.
- ◆ Popchnąć w dół i przytrzymać zacisk mocowania brzeszczotu (10).
- ◆ Włożyć trzonek brzeszczotu w uchwyt (12) aż do napotkania oporu.
- ◆ Puścić zacisk mocowania brzeszczotu (10).

Magazynek brzeszczotów (Rys. C)

Brzeszczoty (11) można przechowywać w magazynku znajdującym się z boku narzędzia.

- ◆ Otworzyć pokrywę (3) magazynku brzeszczotów, przytrzymując zaczep na górze pokrywy (3) i pociągając go na zewnątrz.
- ◆ Brzeszczoty umocowane są w magazynku paskiem magnetycznym. Aby wyjąć brzeszczot, należy nacisnąć jeden z jego końców i wyjąć go za podniesioną część.
- ◆ Zamknąć pokrywę (3) magazynku brzeszczotów i upewnić się, czy zaczep został zapięty.

Uwaga! Przed rozpoczęciem pracy upewnij się, że magazynek jest dokładnie zamknięty.

Przyłączanie odkurzacza (Rys. D)

Aby przyłączyć odkurzacz lub wyciąg pyłu, konieczne jest zastosowanie przejściówki. Przejściówkę do odprowadzania pyłu (6) można nabyć u lokalnego sprzedawcy sprzętu Black & Decker.

- ◆ Wsunąć przejściówkę (6) w przyłącze do odprowadzania pyłu (5).
- ◆ Przyłączyć wąż odkurzacza do przejściówki (6).

Pozostałe zagrożenia

W czasie pracy elektronarzędziem mogą powstać zagrożenia, które nie zostały uwzględnione w załączonej instrukcji dotyczącej bezpiecznego użytkowania. Zagrożenia te mogą wynikać z niewłaściwego użytkowania, zbyt intensywnej eksploatacji lub tp.

Nawet w przypadku przestrzegania zasad bezpiecznej pracy i stosowania środków ochronnych, nie jest możliwe uniknięcie pewnych zagrożeń. Należą do nich:

- ◆ Zranienia wynikające z dotknięcia wirujących / ruchomych elementów.
- ◆ Zranienia w czasie wymiany części, ostrzy lub akcesoriów.
- ◆ Zranienia związane ze zbyt długotrwałym użytkowaniem narzędzia. Pracując przez dłuższy czas, należy robić regularne przerwy.
- ◆ Ryzyko uszkodzenia słuchu.
- ◆ Zagrożenie dla zdrowia spowodowane wdychaniem pyłu wytwarzanego podczas użytkowania urządzenia (np.: podczas pracy w drewnie, szczególnie dębowym, bukowym oraz MDF).

Eksploatacja

Ustawianie stopy wyrzynarki do cięcia skośnego (Rys. E i F)

Uwaga! Nie wolno używać wyrzynarki ze zdemontowaną lub nie dokręconą stopą.

Stopa wyrzynarki (7) może być ustawiana do cięcia skośnego zarówno w lewo jak i w prawo maksymalnie pod kątem 45°.

- ◆ Pociągnąć dźwignię blokady stopy wyrzynarki (4) na zewnątrz, aby odblokować stopę wyrzynarki (7) znajdującą się w pozycji 0° (Rys. F).
- ◆ Pociągnąć stopę wyrzynarki (7) do przodu i ustawić żądany kąt 15°, 30° lub 45°, zgodnie ze wskazaniem wskaźnika odchylenia wyrzynarki.
- ◆ Popchnąć dźwignię blokady stopy wyrzynarki (4) do tyłu, aby unieruchomić stopę wyrzynarki (7).
Aby z powrotem ustawić stopę wyrzynarki (7) do cięcia prostego:
- ◆ Pociągnąć dźwignię blokady stopy wyrzynarki (4) na zewnątrz, aby odblokować stopę wyrzynarki (7).
- ◆ Ustawić stopę wyrzynarki (7) pod kątem 0° i popchnąć do tyłu.

- ◆ Popchnąć dźwignię blokady stopy wyrzynarki (4) do tyłu, aby unieruchomić stopę wyrzynarki (7).

Użycie pokrętki funkcji Auto Select™ (Rys. G)

Opisywane urządzenie jest wyposażone w pokrętkę funkcji Auto Select™ (8) służące do ustawiania prędkości i rodzaju ruchów brzeszczotu, w zależności od rodzaju cięcia. Aby wybrać optymalną prędkość i rodzaj ruchów wahadłowych brzeszczotu w zależności od rodzaju ciętego materiału, należy ustawić pokrętkę zgodnie z poniższą tabelą:

	Ikona	Zastosowanie	Prędkość	Rodzaj brzeszczotu
		Blaty kuchenne, blaty robocze, płyty laminowane	Duża prędkość	Uniwersalny do drewna
		Wycinanie kształtów/łuków, twarde drewno, deskowania, podłogi	Duża prędkość	Do wycinania łuków Uniwersalny do drewna
		Sklejka i panele drewniane	Duża prędkość	Uniwersalny do drewna
		Ogólnie drewno, miękkie drewno, szybkie docinanie	Duża prędkość	Uniwersalny do drewna
		Plastik, Perspex, PVC	Średnia prędkość	Ogólnego przeznaczenia
		Cienkie płyty metalowe, płytki ceramiczne, płyty włókna szklanego	Niska prędkość	Do metalu lub ceramiki lub płyt z włókna szklanego
		Praca powoli, precyzyjny start	Powoli	Brzeszczot odpowiedni do określonej pracy

Włączanie i wyłączenie

- ◆ Aby włączyć narzędzie naciśnij wyłącznik (2).
- ◆ Aby wyłączyć narzędzie, zwolnij wyłącznik (2).
- ◆ Aby włączyć pracę ciągłą, należy nacisnąć przycisk blokady wyłącznika (1) i zwolnić wyłącznik (2).
- ◆ Aby wyłączyć narzędzie, gdy włączony jest tryb pracy ciągłej, należy nacisnąć wyłącznik (2) i zwolnić go.

Cięcie

W czasie pracy trzymaj narzędzie mocno obiema rękami.

Stopę wyrzynarki (7) należy mocno oprzeć na ciętym materiale. Pomoże to uniknąć

podskakiwania piły, nadmiernych wibracji i złamania brzeszczotu.

- ◆ Przed rozpoczęciem cięcia pozwolić na chwilę swobodnego ruchu brzeszczotu.
- ◆ W czasie cięcia należy na piłę oddziaływać jedynie niedużą siłą.

Obsługa lasera (Rys. H - K) (dot. urządzeń z oznaczeniem 'L')

Montaż baterii (Rys. H)

Oddzielić moduł lasera (14) od wyrzynarki poprzez odkręcenie śrub (13) i pociągnięcie modułu lasera do przodu. Włożyć dwie nowe baterie alkaliczne typu AAA 1.5 Volt upewniając się, że bieguny (+)

i (-) zostały podłączone poprawnie. Zamontować z powrotem moduł lasera (14).

Regulacja lasera (Rys. I)

Uwaga: Laser służy jako pomoc w cieciu i nie gwarantuje dokładności cięcia.

Uwaga! Nie wolno regulować lasera, gdy wyrzynarka podłączona jest do źródła zasilania.

- ◆ Gdy zachodzi potrzeba, należy ustawić laser w jednej linii z brzeszczotem za pomocą śruby regulacyjnej (15).

Jasność wiązki laserowej (moc) zmniejsza się, gdy wyrzynarka jest przegrzana. Laser może stać się niewidoczny, gdy wyrzynarka przez dłuższy czas jest przeciążona. Widoczność lasera będzie stopniowo powracać do normy w miarę, jak narzędzie będzie stygło. Także, jeśli jest odłączone od zasilania.

Uwaga! Nie wolno pozostawiać włączonego przegrzanego lasera. Upewnij się, że wyłącznik jest w pozycji WYŁĄCZONE i wyjmij baterie z lasera, aby usunąć źródło zasilania.

Użycie lasera (Rys. J i K)

Laser wskazuje linię cięcia (18) na powierzchni ciętego materiału.

- ◆ Aby włączyć laser, należy nacisnąć przycisk (16).
- ◆ Aby wyłączyć laser, powtórnie nacisnąć przycisk (16).

Patrząc dokładnie nad wyrzynarką, można w łatwy sposób ciąć wzdłuż zaprojektowanej linii cięcia (17). W przypadku ograniczonej widoczności, laser może służyć jak rodzaj alternatywnej prowadnicy.

- ◆ Zaznaczyć ołówkiem linię cięcia (17).
- ◆ Ustawić wyrzynarkę na linii cięcia (17).
- ◆ Włączyć laser.

Użycie podświetlenia miejsca pracy (Rys. L i M) (dot. urządzeń z oznaczeniem 'W')

Urządzenia, które posiadają z numerze katalogowym oznaczenie „W”, wyposażone są w diody świetlne (19) służące do podświetlenia miejsca cięcia wokół brzeszczotu.

- ◆ Aby włączyć podświetlenie, należy przesunąć przełącznik (20) do pozycji (I).
- ◆ Aby wyłączyć podświetlenie, należy przesunąć przełącznik (20) do pozycji (0).

Wskazówki praktyczne

Cięcie tworzyw sztucznych

Podczas cięcia laminatów, może wystąpić strzępienie brzegów szpecące powierzchnię

zewnętrzną. Większość brzeszczotów tnąc podczas ruchu do góry, dlatego jeśli stopa wyrzynarki ma się opierać o powierzchnię zewnętrzną, lepiej jest użyć brzeszczotów tnących w czasie ruchu w dół, lub:

- ◆ Użyj brzeszczotu o drobnych ząbkach.
- ◆ Tnij płytę spodem do góry.
- ◆ Aby zminimalizować uszkodzenia powierzchni ściśnij płytę z obu stron kawałkami drewna lub płyty pilśniowej i tnij wszystkie warstwy na raz.

Cięcie metalu

Pamiętaj, że cięcie metalu zajmuje dużo więcej czasu niż cięcie drewna.

- ◆ Używaj brzeszczotów przeznaczonych do cięcia metalu.
- ◆ W przypadku cięcia cienkich blach przyciśnij kawałek drewna od spodu blachy i tnij wszystkie warstwy na raz.
- ◆ Nałóż cienką warstwę oleju wzdłuż linii cięcia.

Konserwacja

Narzędzia Black & Decker zostały zaprojektowane tak, aby zapewnić długoletnią, prawie bezobsługową, pracę urządzenia.

Aby długo cieszyć się właściwą pracą urządzenia, należy odpowiednio z nim postępować i regularnie je czyścić.

- ◆ Regularnie czyścić otwory wentylacyjne przy użyciu miękkiej szczotki albo suchej ściereczki.
- ◆ Regularnie czyścić obudowę przy użyciu wilgotnej ściereczki. Nie używać preparatów do szorowania i zawierających rozpuszczalniki. Nigdy nie dopuszczaj do dostania się jakichkolwiek płynów do wnętrza narzędzia i nigdy nie zanurzać żadnych części narzędzia w płynach.

Wymiana wtyczki sieciowej (dotyczy tylko Wielkiej Brytanii i Irlandii)

Jeśli występuje konieczność montażu nowej wtyczki:

- ◆ Odpowiednio zutilizuj starą wtyczkę.
- ◆ Przyłącz brązowy przewód do zacisku fazy w nowej wtyczce.
- ◆ Przyłącz niebieski przewód do zacisku zerowego.

Uwaga! Nie wykonuje się przyłączenia do końcówki uziemienia. Wykonaj instrukcje instalacji dołączone do wtyczek wysokiej jakości. Zalecany bezpiecznik: 5 A.

Ochrona środowiska



Selektywna zbiórka odpadów. Opisywanego produktu nie wolno utylizować razem ze zwykłymi śmieciami z gospodarstw domowych.

Gdy okaże się, że konieczna jest wymiana posiadanego narzędzia Black & Decker lub nie będzie się go więcej używać, nie należy wyrzucać go razem ze śmieciami z gospodarstwa domowego. Należy przekazać produkt do punktu selektywnej zbiórki odpadów.



Selektywna zbiórka zużytych produktów i opakowań pozwala na recykling materiałów i ich powtórne wykorzystanie. Powtórne użycie materiałów pomaga chronić środowisko naturalne przed zanieczyszczeniem i zmniejsza zapotrzebowanie na surowce.

Lokalne prawodawstwo może zapewniać możliwość selektywnej zbiórki zużytych sprzętów elektrycznych, poprzez pozostawienie ich w punktach na miejskich wysypiskach śmieci lub u sprzedawcy, przy zakupie nowego sprzętu.

Black & Decker zapewnia możliwość zbiórki i recyklingu swoich produktów po zakończeniu okresu eksploatacji. Aby skorzystać z tej możliwości, prosimy zwrócić się do jednego z Autoryzowanych Przedstawicieli Serwisowych, który odbierze je od Państwa w naszym imieniu.

Adres najbliższego Autoryzowanego Przedstawiciela Serwisowego otrzymają Państwo kontaktując się z lokalnym biurem Black & Decker, którego adres zamieszczony jest w tej instrukcji. Lista autoryzowanych przedstawicieli serwisowych Black & Decker oraz informacje dotyczące naszego serwisu posprzedażnego dostępne są również na stronie internetowej:

www.2helpU.com.

Akumulatory



Po zakończeniu okresu eksploatacji należy je zutylizować w sposób bezpieczny dla środowiska naturalnego:

- ◆ Nie wolno dopuszczać do zwarcia biegunów akumulatora.
- ◆ Nie wolno wrzucać zużytych akumulatorów do ognia, ponieważ grozi to zranieniem lub wybuchem.

Dane techniczne

	KS800S KS800SL TYP 1
Napięcie zasilania	Vac 230
Moc na wejściu	W 520
Prędkość bez obciążenia	min ⁻¹ 800-3000
Maksymalna głębokość cięcia	
Drewno	mm 70
Stal	mm 5
Aluminium	mm 15
Waga	kg 2,2

Poziom ciśnienia akustycznego zgodnie z EN 60745:

Ciśnienie akustyczne (L_{pA}) 89 dB(A), wahania (K) 3 dB(A), Moc akustyczna (L_{WA}) 100 dB(A), wahania (K) 3 dB(A)

Sumaryczna wielkość drgań (suma wektorów trzech osi) zgodnie z normą EN 60745:

Cięcie płyty drewnianej ($a_{h,CW}$) 6,0 m/s², wahania (K) 1,5 m/s², Cięcie blach ($a_{h,CM}$) 6,5 m/s², wahania (K) 1,5 m/s²

Deklaracja zgodności UE

DYREKTYWA MASZYNOWA



KS800S, KS800SL

Firma Black & Decker oświadcza, że opisywane produkty nr kat. KS800S, KS800L spełniają wymagania norm: 2006/42/EC, EN60745-1, EN60745-2-11

Produkty te są również zgodne z zapisami dyrektyw 2004/108/EC oraz 2011/65/EU

Aby otrzymać więcej informacji, należy skontaktować się z firmą Black & Decker pod adresem podanym poniżej lub na końcu instrukcji.

Osoba niżej podpisana jest odpowiedzialna za zestawienie informacji technicznych w imieniu firmy Black & Decker.

Kevin Hewitt
Vice-President Global
Engineering
Black & Decker Europe,
210 Bath Road, Slough,
Berkshire, SL1 3YD
Wielka Brytania
23-04-2012

Black & Decker

WARUNKI GWARANCJI:

Produkty marki Black & Decker reprezentują bardzo wysoką jakość, dlatego oferujemy dla nich korzystne warunki gwarancyjne. Niniejsze warunki gwarancji nie pomniejszają praw klienta wynikających z polskich regulacji ustawowych lecz są ich uzupełnieniem. Gwarancja jest ważna na terenie Rzeczypospolitej Polskiej.

Black & Decker gwarantuje sprawne działanie produktu w przypadku postępowania zgodnego z warunkami techniczno-eksploatacyjnymi opisanymi w instrukcji obsługi.

Niniejszą gwarancją nie jest objęte dodatkowe wyposażenie, jeżeli nie została do niego dołączona oddzielna karta gwarancyjna oraz elementy wyrobu podlegające naturalnemu zużyciu.

1. Niniejszą gwarancją objęte są usterki produktu spowodowane wadami produkcyjnymi i wadami materiałowymi.
2. Niniejsza gwarancja jest ważna po przedstawieniu przez Klienta w Centralnym Serwisie Gwarancyjnym reklamowanego produktu oraz łącznie:
 - a) poprawnie wypełnionej karty gwarancyjnej;
 - b) ważnego paragonu zakupu z datą sprzedaży taką, jak w karcie gwarancyjnej lub kopii faktury.
3. Gwarancja obejmuje bezpłatną naprawę urządzenia (wraz z bezpłatną wymianą uszkodzonych części) w okresie 24 miesięcy od daty zakupu.
4. Produkt reklamowany musi być:
 - a) dostarczony bezpośrednio do Centralnego Serwisu Gwarancyjnego wraz z poprawnie wypełnioną Kartą Gwarancyjną i ważnym paragonem zakupu (lub kopią faktury) oraz szczegółowym opisem uszkodzenia, lub
 - b) przesłany do Centralnego Serwisu Gwarancyjnego za pośrednictwem punktu sprzedaży wraz z dokumentami wymienionymi powyżej.
5. Koszty wysyłki do Centralnego Serwisu Gwarancyjnego ponosi Serwis. Wszelkie koszty związane z zapewnieniem bezpiecznego opakowania, ubezpieczeniem i innym ryzykiem ponosi Klient. W przypadku odrzucenia roszczenia gwarancyjnego, produkt jest odesyłany do miejsca nadania na koszt adresata.
6. Usterki ujawnione w okresie gwarancji będą usunięte przez Centralny Serwis Gwarancyjny w terminie:
 - a) 14 dni roboczych od daty przyjęcia produktu przez Centralny Serwis Gwarancyjny;

- b) termin usunięcia wady (punkt 6a) może być wydłużony o czas niezbędny do importu niezbędnych części zamiennych.
7. Klient otrzyma nowy sprzęt, jeżeli:
 - a) Centralny Serwis Gwarancyjny stwierdzi na piśmie, że usunięcie wady jest niemożliwe;
 - b) produkt nie podlega naprawie, tylko wymianie bez dokonywania naprawy.
 8. O ile taki sam produkt jest nieosiągalny, może być wydany nowy produkt o nie gorszych parametrach.
 9. Decyzja Centralnego Serwisu Gwarancyjnego odnośnie zasadności zgłaszanych usterek jest decyzją ostateczną.
 10. Gwarancją nie są objęte:
 - a) wadliwe działanie lub uszkodzenia spowodowane niewłaściwym użytkowaniem lub użytkowaniem produktu niezgodnie z przeznaczeniem, instrukcją obsługi lub przepisami bezpieczeństwa. W szczególności profesjonalne użytkowanie amatorskich narzędzi Black & Decker powoduje utratę gwarancji;
 - b) wadliwe działanie lub uszkodzenia spowodowane przeciążaniem narzędzia, które prowadzi do uszkodzeń silnika, przekładni lub innych elementów a także stosowaniem osprzętu innego niż zalecany przez Black & Decker;
 - c) mechaniczne uszkodzenia produktu i wywołane nimi wady;
 - d) wadliwe działanie lub uszkodzenia na skutek działania pożaru, powodzi, czy też innych klęsk żywiołowych, nieprzewidzianych wypadków, korozji, normalnego zużycia w eksploatacji czy też innych czynników zewnętrznych;
 - e) produkty, w których naruszone zostały plomby gwarancyjne lub, które były naprawiane poza Centralnym Serwisem Gwarancyjnym lub były przerabiane w jakikolwiek sposób;
 - f) osprzęt eksploatacyjny dołączony do urządzenia oraz elementy ulegające naturalnemu zużyciu.
 11. Centralny Serwis Gwarancyjny, firmy handlowe, które sprzedały produkt, nie udzielają upoważnień ani gwarancji innych niż określone w karcie gwarancyjnej. W szczególności nie obejmują prawa klienta do domagania się zwrotu utraconych zysków w związku z uszkodzeniem produktu.
 12. Gwarancja nie wyłącza, nie ogranicza ani nie zawiesza uprawnień kupującego wynikających z niezgodności towaru z umową.

Centralny Serwis Gwarancyjny ERPATECH
ul. Bakaliowa 26, 05-080 Mościska
tel.: (22) 862-08-08, (22) 431-05-05
faks: (22) 862-08-09

Použitie

Vaša priamočiara píla Black & Decker je určená na rezanie dreva, plastov a kovov. Toto náradie je určené len na použitie v domácnosti.

Bezpečnostné pokyny

Všeobecné bezpečnostné pokyny pre prácu s elektrickým náradím



Varovanie! Pozorne si prečítajte všetky bezpečnostné varovania a pokyny.

Nedodržanie nižšie uvedených pokynov môže mať za následok úraz elektrickým prúdom, vznik požiaru alebo vážne poranenie.

Tieto bezpečnostné varovania a pokyny uschovajte pre prípadné ďalšie použitie.

Označenie „elektrické náradie“ vo všetkých nižšie uvedených upozorneniach odkazuje na Vaše náradie napájané zo siete (obsahuje prívodný kábel) alebo náradie napájané batériami (bez kábla).

1. Bezpečnosť pracovného prostredia

- a. **Pracovný priestor udržiavajte v čistote a dobre osvetlený.** Preplnený a neosvetlený pracovný priestor môže viesť k spôsobeniu úrazu.
- b. **Nepracujte s elektrickým náradím vo výbušnom prostredí, ako napr. v blízkosti horľavých kvapalín, plynov alebo prachu.** Náradie je zdrojom iskrenia, ktoré môže zapáliť prach alebo výpary.
- c. **Pri práci s elektrickým náradím dbajte na to, aby sa do jeho blízkosti nedostali deti a okolo stojace osoby.** Nepozornosť môže spôsobiť stratu kontroly.

2. Elektrická bezpečnosť

- a. **Zástrčka prívodného kábla náradia musí zodpovedať zásuvke. Nikdy akýmkoľvek spôsobom zástrčku neupravujte. Pri práci s uzemneným elektrickým náradím nikdy nepoužívajte zástrčkové adaptéry.** Neupravované zástrčky a zodpovedajúce zásuvky znižujú riziko vzniku úrazu elektrickým prúdom.
- b. **Vyvarujte sa dotyku s uzemnenými plochami ako je potrubie, radiátory, sporáky a chladničky.** Ak dôjde k uzemneniu Vášho tela, vzrastá riziko úrazu elektrickým prúdom.
- c. **Nevystavujte elektrické náradie dažďu alebo vlhkému prostrediu.** Ak do náradia vnikne voda, zvýši sa riziko úrazu elektrickým prúdom.

- d. **S prívodným káblom zaobchádzajte opatrne. Nepoužívajte prívodný kábel na prenášanie náradia, ťahanie alebo vyťahovanie zástrčky zo zásuvky. Zabráňte kontaktu kábla s horúcimi, mastnými a ostrými predmetmi a pohyblivými časťami náradia.** Poškodený alebo zapletený prívodný kábel zvyšuje riziko vzniku úrazu elektrickým prúdom.
- e. **Pokiaľ s náradím pracujete vo vonkajšom prostredí, používajte predlžovací kábel určený do vonkajšieho prostredia.** Použitie kábla na vonkajšie použitie znižuje riziko úrazu elektrickým prúdom.
- f. **Pri práci s elektrickým náradím vo vlhkom prostredí je nevyhnutné používať prúdový chránič (RCD).** Použitie prúdového chrániča RCD znižuje riziko úrazu elektrickým prúdom.

3. Osobná bezpečnosť

- a. **Zostaňte stále pozorní, sledujte, čo robíte a pri práci s náradím používajte rozum. Nepoužívajte elektrické náradie, ak ste unavení alebo ak ste pod vplyvom drog, alkoholu alebo liekov.** Chvilka nepozornosti pri práci s náradím môže viesť k vážnemu úrazu.
- b. **Používajte prostriedky na ochranu osôb. Vždy používajte ochranu zraku.** Ochranné prostriedky, ako respirátor, nekľavá pracovná obuv, pokrývka hlavy a chrániče sluchu znižujú riziko poranenia osôb.
- c. **Zabráňte náhodnému zapnutiu. Pred pripojením k zdroju napätia alebo pred vloženíím akumulátora, zdvíhaním alebo prenášaním náradia skontrolujte, či je hlavný vypínač vypnutý.** Prenášanie náradia s prstom na hlavnom vypínači alebo pripojenie prívodného kábla k elektrickému rozvodu, ak je hlavný vypínač náradia v zapnutej polohe, môže spôsobiť úraz.
- d. **Pred zapnutím náradia sa vždy uistite, či nie sú v jeho blízkosti kľúče alebo nastavovacie prípravky.** Ponechané kľúče alebo iné nastavovacie prvky môžu byť zachytené rotujúcimi časťami náradia a môžu spôsobiť úraz.
- e. **Neprekážajte sami sebe. Pri práci vždy udržiavajte vhodný a pevný postoj.** To umožní lepšiu ovládateľnosť náradia v neočakávaných situáciách.
- f. **Vhodne sa obliekajte. Nenoste voľný odev alebo šperky. Dbajte na to, aby sa Vaše**

vlasý, odev alebo rukavice nedostali do nebezpečnej blízkosti pohyblivých častí. Voľné šaty, šperky alebo dlhé vlasy môžu byť pohyblivými dielmi zachytené.

- g. **Ak je náradie vybavené výstupom na pripojenie odsávania a zberným vakom, skontrolujte tieto funkcie a uistite sa, či sú správne používané.** Použitie týchto zariadení môže znížiť nebezpečenstvo týkajúce sa prachu.
4. **Použitie elektrického náradia a jeho údržba**
- a. **Elektrické náradie nepreťažujte. Používajte správny typ náradia pre Vašu prácu.** Náradie bude pracovať lepšie a bezpečnejšie, ak sa bude používať vo výkonnostnom rozsahu, pre ktorý bolo určené.
- b. **Pokiaľ nejde hlavný vypínač náradia zapnúť a vypnúť, s náradím nepracujte.** Akékoľvek náradie s nefunkčným hlavným vypínačom je nebezpečné a musí byť opravené.
- c. **Pred výmenou akýchkoľvek častí, príslušenstva či iných pripojených súčastí, pred prevádzkaním servisu alebo pokiaľ náradie nepoužívate, odpojte ho od elektrickej siete a/ alebo vyberte akumulátor.** Tieto preventívne bezpečnostné opatrenia znižujú riziko náhodného zapnutia náradia.
- d. **Pokiaľ náradie nepoužívate, uložte ho mimo dosahu detí a zabránite osobám neoboznámeným s obsluhou náradia alebo s týmto návodom, aby s náradím pracovali.** Elektrické náradie je v rukách nekvalifikovanej obsluhy nebezpečné.
- e. **Vykonávajte riadnu údržbu elektrického náradia. Skontrolujte, či náradie nemá vychýlené alebo rozpojené pohyblivé časti, zlomené diely alebo akúkoľvek inú poruchu, ktorá môže mať vplyv na jeho správny chod. Ak je náradie poškodené, nechajte ho opraviť.** Veľa nehôd býva spôsobených nedostatočnou údržbou náradia.
- f. **Rezné nástroje udržiavajte ostré a čisté.** Riadne udržiavané rezné nástroje s ostrými reznými hranami sú menej náchylné na zanášanie nečistotami a sú lepšie ovládateľné.
- g. **Náradie, príslušenstvo a držiaky nástrojov používajte podľa týchto pokynov a spôsobom určeným daným typom náradia. Berte do úvahy prevádzkové podmienky a prácu, ktorú je nutné vykonať.** Použitie náradia na iné účely, než na aké je určené, môže byť nebezpečné.

5. Opravy

- a. **Opravy elektrického náradia zverte kvalifikovanému technikovi, ktorý používa vhodné náhradné diely.** Tým zaistíte bezpečnú prevádzku náradia.

Doplňkové bezpečnostné pokyny pre prácu s elektrickými náradím



Varovanie! Doplnkové bezpečnostné pokyny pre prácu s priamočiarými píliami.

- ♦ **Pri pracovných operáciách, pri ktorých by mohlo dôjsť ku kontaktu so skrytými vodičmi alebo s vlastným káblom, držte elektrické náradie vždy za izolované rukoväťe.** Pri kontakte so „živým“ vodičom spôsobia neizolované kovové časti náradia obsluhu úraz elektrickým prúdom.
- ♦ **Používajte na upnutie obrobku k pevnej podložke svorky alebo iný vhodný spôsob.** Prichytenie obrobku rukou alebo jeho opretie o Vaše telo je nestabilné a môže viesť k strate kontroly.
- ♦ **Ruky držte mimo oblasť rezania.** Nikdy z akéhokoľvek dôvodu nesiahajte pod rezaný materiál. Nezasahujte prstami alebo palcom do blízkosti pílového listu a upínania pílového listu. Nestabilizujte pílu uchopením za pätku píly.
- ♦ **Udržujte pílové listy ostré.** Otupené alebo poškodené pílové listy môžu spôsobiť odchýlenie alebo zaseknutie píly. Vždy používajte vhodný pílový list pre daný typ opracovávaného materiálu a daný typ rezu.
- ♦ **Pri rezaní potrubí alebo elektroinštalčných vodiacich žliabkov sa uistite, či nimi nepreteká voda alebo či nimi nevedú elektrické vodiče a pod.**
- ♦ **Ihneď po skončení rezu sa nedotýkajte obrobku ani pílového listu.** Môžu byť veľmi rozpálené.
- ♦ **Pred vítaním do stien, podláh a stropov sa vždy poriadne uistite o polohe elektroinštalácie a potrubia.**
- ♦ **Po uvoľnení vypínača sa pílový list ešte chvíľu pohybuje.** Pred položením píly vždy vypnite hlavný vypínač a počkajte, kým sa pílový list celkom zastaví.

Varovanie! Pobyt v prašnom prostredí a vdýchnutie prachu pri rezaní môže ohroziť zdravie obsluhy náradia a okolo stojacich osôb. Používajte masku proti prachu určenú špeciálne na ochranu pred toxickým prachom a podobnými

sploďinami a zaistíte, aby boli takto chránené všetky osoby nachádzajúce sa alebo vstupujúce do pracovného priestoru.

- ♦ Použitie tohto náradia je popísané v tomto návode. Použitie akéhokoľvek iného príslušenstva alebo prídavných zariadení, alebo akékoľvek iné využitie tohto náradia, než je popísané v tomto návode na použitie, môže predstavovať riziko zranenia osôb alebo spôsobenie hmotných škôd.

Bezpečnosť ostatných osôb

- ♦ Toto zariadenie nie je určené na použitie osobami (vrátane detí) so zníženými fyzickými, zmyslovými alebo duševnými schopnosťami, alebo nedostatkom skúseností a znalostí, ak týmto osobám nebol stanovený dohľad, alebo ak im neboli poskytnuté inštrukcie týkajúce sa použitia zariadenia osobou zodpovednou za ich bezpečnosť.
- ♦ Deti by mali byť pod dozorom, aby sa s náradím nehrali.

Vibrácie

Deklarovaná úroveň vibrácií uvedená v technických údajoch a v prehlásení o zhode bola meraná v súlade so štandardnou skúšobnou metódou predpísanou normou EN 60745 a môže sa použiť na porovnanie jednotlivých náradí medzi sebou. Deklarovaná úroveň vibrácií môže byť tiež použitá na predbežné stanovenie doby práce s týmto výrobkom.

Varovanie! Úroveň vibrácií pri aktuálnom použití elektrického náradia sa môže od deklarovanej úrovne vibrácií líšiť v závislosti od spôsobu použitia výrobku. Úroveň vibrácií môže byť oproti uvedenej hodnote vyššia.

Pri stanovení doby vystavenia sa vibráciám a určení bezpečnostných opatrení podľa normy 2002/44/EC na ochranu osôb pravidelne používajúcich elektrické náradie v zamestnaní by mal predbežný odhad pôsobenia vibrácií brať do úvahy aktuálne podmienky použitia náradia s prihliadnutím na všetky časti pracovného cyklu, ako aj času, počas ktorého je náradie vypnuté a kedy beží naprázdno.

Štítky na náradí



Varovanie! Aby ste znížili riziko vzniku úrazu musí byť obsluha oboznámená s týmto návodom na použitie.

Elektrická bezpečnosť



Toto náradie je chránené dvojistou izoláciou. preto nie je nutná ochrana uzemnením. Vždy skontrolujte, či napätie v sieti zodpovedá napätiu na výkonovom štítku.

- ♦ Poškodený prívodný kábel musí byť vymenený výrobcom alebo mechanikom značkového servisu Black & Decker.

Ďalšie bezpečnostné pokyny týkajúce sa akumulátorov

- ♦ Nikdy sa zo žiadneho dôvodu nepokúšajte narušiť obal akumulátora.
- ♦ Neskladujte tieto akumulátory na miestach, kde môže teplota prekročiť 40°C.
- ♦ Pri likvidácii akumulátorov sa riaďte pokynmi uvedenými v kapitole „Ochrana životného prostredia“.

Nevhadzujte akumulátory do ohňa a nespľajte ich.

- ♦ V extrémnych podmienkach môže dochádzať k úniku z akumulátorov. Ak zistíte na povrchu akumulátora prítomnosť kvapaliny, postupujte nasledovne:
 - Starostlivo kvapalinu utrite handričkou. Vyvarujte sa dotyku s pokožkou.

Ďalšie bezpečnostné pokyny týkajúce sa laserov



Prečítajte si starostlivo celý tento návod.



Tento výrobok nie je určený pre osoby mladšie ako 16 rokov.



Laserové žiarenie.



Nepozerajte sa do laserového lúča.



Na sledovanie laserového lúča nepoužívajte optické prístroje.

- ♦ Tento laserový prístroj zodpovedá triede 2 podľa normy IEC60825-1:2007. Laserovú diódu nenahrádzajte diódou iného typu. Ak dôjde k poruche, zverte opravu prístroja autorizovanému servisu.
- ♦ Nepoužívajte laser za iným účelom, než je projekcia laserových lúčov.
- ♦ Vystavenie zraku pôsobeniu laserového lúča triedy 2 je považované za bezpečné len v prípade, že nepresiahne táto doba 0,25 sekundy. Reflexy očných viečok bežne

poskytujú dostatočnú ochranu. Vo vzdialenosti väčšej než 1 m zodpovedá tento laser triede 1 a preto je považovaný za úplne bezpečný.

- ◆ Nikdy sa do laserového lúča nepozerajte zámerne a priamo.
- ◆ Na sledovanie laserového lúča nepoužívajte optické prístroje.
- ◆ Nenastavujte prístroj do takej výšky, aby mohol laserový lúč prechádzať cez osoby vo výške ich hláv.
- ◆ Nedovoľte deťom, aby sa približovali do blízkosti lasera.

Popis

1. Poistné tlačidlo
2. Hlavný vypínač
3. Úložný priestor na pílové listy
4. Zaistenie pätky píly
5. Výstupný otvor na odvod prachu
6. Adaptér na odsávanie prachu
7. Pätká píly
8. Otočný ovládač Auto Select™
9. Vodiaci valec pílového listu
10. Upínacia svorka na výmenu pílového listu bez použitia iného náradia

Doplňujúce funkcie (obr. A)

Doplňujúce funkcie sú k dispozícii podľa typu zakúpeného výrobku. Doplnujúce funkcie, ktoré je možné využívať, sú zobrazené podľa katalógového čísla na obr. A.

Montáž

Varovanie! Pred prevádzkaním akejkoľvek z nasledujúcich operácií sa uistite, či je náradie vypnuté, či je odpojený prírodný kábel zo zásuvky a či sa už nepohybuje pílový list. Použité pílové listy môžu byť horúce.

Montáž pílového listu (obr. B)

- ◆ Uchopte pílový list (11) podľa nákrasu tak, aby jeho zuby smerovali dopredu.
- ◆ Stlačte dole a pridržte svorku na uchytenie pílového listu (10).
- ◆ Zasuňte upínaciu stopku pílového listu čo najďalej do držiaka pílového listu (12).
- ◆ Svorku (10) uvoľnite.

Uloženie pílového listu (obr. C)

Pílové listy (11) sa môžu uschovať v úložnom priestore v bočnej časti náradia.

- ◆ Kryt úložného priestoru pílových listov (3) otvoríte tak, že uchopíte jazýček umiestnený na hornej strane krytu (3) a potiahnete ním smerom von.

- ◆ Pílové listy sú v úložnom priestore uchytené pomocou magnetického prúžku. Pílový list vyberte stlačením jedného konca pílového listu, čím dôjde k zdvihnutiu jeho druhého konca a pílový list sa môže vybrať.
- ◆ Uzavrte kryt úložného priestoru pílových listov (3) a uistite sa, či došlo k zapadnutiu západky.

Varovanie! Pred zapnutím píly sa uistite, či je kryt úložného priestoru riadne uzavretý.

Pripojenie vysávača k náradiu (obr. D)

Na pripojenie vysávača alebo odsávača prachu k náradiu musí byť použitý adaptér. Tento adaptér na odsávanie prachu (6) si môžete zakúpiť u najbližšieho značkového predajcu Black & Decker.

- ◆ Pripojte adaptér (6) k výstupu na odsávanie prachu (5).
- ◆ Pripojte k adaptéru (6) hadicu vysávača.

Zvyškové riziká

Ak sa náradie používa iným spôsobom, než je uvedené v priložených bezpečnostných varovaniach, môžu sa objaviť dodatočné zvyškové riziká. Tieto riziká môžu vzniknúť v dôsledku nesprávneho použitia, dlhodobého použitia atď.

Napriek tomu, že sa dodržiavajú príslušné bezpečnostné predpisy a používajú sa bezpečnostné zariadenia, určité zvyškové riziká sa nemôžu vylúčiť. Tieto riziká sú nasledujúce:

- ◆ Zranenia spôsobené kontaktom s akoukoľvek rotujúcou alebo pohybujúcou sa časťou.
- ◆ Zranenia spôsobené pri výmene dielov, pracovného nástroja alebo príslušenstva.
- ◆ Zranenia spôsobené dlhodobým použitím náradia. Ak používate akékoľvek náradie dlhší čas, zaistite, aby sa robili pravidelné prestávky.
- ◆ Poškodenie sluchu.
- ◆ Zdravotné riziká spôsobené vdychovaním prachu vytváraného pri použití náradia (príklad: - práca s drevom, najmä s dubovým, bukovým a MDF).

Použitie

Nastavenie pätky píly na vykonávanie šikmých rezov (obr. E a F)

Varovanie! Náradie nepoužívajte v prípade, že je pätká píly uvoľnená alebo odmontovaná. Pätká píly (7) sa môže nakloniť vľavo alebo vpravo až o 45°.

- ◆ Zaistenie pätky píly (4) vysuňte smerom von tak, aby sa pätká píly (7) z polohy 0° odistila (obr. F).
- ◆ Vytiahnite pätku píly (7) smerom dopredu a nastavte požadovaný uhol 15°, 30° alebo

- 45°, ktorý je zobrazený v okienku nastavenia uhla rezu.
- ◆ Zaisťovací páčku pätky píly (4) zasuňte späť smerom k píle tak, aby sa pätka píly (7) zaistila. Zarovnanie pätky píly (7) pri vykonávaní rovných rezov:
 - ◆ Zaisťovací páčku pätky píly (4) posuňte smerom od píly tak, aby sa pätka píly (7) uvoľnila.
 - ◆ Nastavte pätku píly (7) na uhol 0° a zatlačte pätku dozadu.
 - ◆ Zaisťovací páčku pätky píly (4) zasuňte späť smerom k píle tak, aby sa pätka píly (7) zaistila.

Nastavenie otočného ovládača Auto Select™ (obr. G)

Toto náradie je vybavené unikátnym otočným ovládačom Auto Select™ (8) na nastavenie otáčok a predkmitu pílového listu pre rôzne aplikácie. Otáčky a predkmit pre rôzne typy rezaných materiálov nastavte otočným ovládačom (8) podľa tabuľky uvedenej nižšie:

	Ikonka	Použitie	Rýchlosť	Typ pílového listu
		Kuchynské pracovné linky, pracovné dosky, laminované dosky	Vysoká rýchlosť	Bežný na drevo
		Posuvné rezy, oblé rezy, ručné orezávanie, tvrdé drevo, obklady, podlahy	Vysoká rýchlosť	Vyrezávací Bežný na drevo
		Preglejška a drevené panely	Vysoká rýchlosť	Bežný na drevo
		Bežné drevo, mäkké drevo, rýchle prerezávanie	Vysoká rýchlosť	Bežný na drevo
		Plasty, plexisklo, PVC	Stredná rýchlosť	Univerzálny
		Tenké kovové plechy, keramické obkladačky, tabule so skleneným vláknom	Pomalá rýchlosť	Na kov alebo keramiku, na sklenené vlákno
		Pomalé otáčky, presný začiatok rezania	Veľmi pomalá rýchlosť	Pílový list zvolte podľa danej aplikácie

Zapnutie a vypnutie

- ◆ Ak chcete náradie zapnúť, stlačte hlavný vypínač (2).
- ◆ Ak chcete náradie vypnúť, uvoľnite hlavný vypínač (2).
- ◆ Nepretržitý chod zaistíte stlačením poistného tlačidla (1) a uvoľnením hlavného vypínača (2).
- ◆ Náradie bežiacie v nepretržitom chode vypnete stlačením a uvoľnením hlavného vypínača (2).

Rezanie

Pri rezaní držte pílu pevne oboma rukami. Päťka píly (7) by mala byť pevne pritlačená k rezanému obrobku. Takto lepšie zabránite odskočeniu píly, zmenšia sa vibrácie a minimalizuje sa možnosť zlomenia pílového listu.

- ◆ Pred začatím rezu nechajte pílový list niekoľko sekúnd bežať naprázdno.
- ◆ Pri rezaní nevyvíjajte na náradie príliš veľký tlak.

Práca s laserom (obr. H - K) (iba pre modely L)**Vloženie batérií (obr. H)**

Laserový modul (14) odpojte od píly vybratím skrutky (13) a následným potiahnutím laserového modulu smerom dopredu. Vložte dve nové alkalické batérie 1,5 V typu AAA a uistite sa, či je dodržaná správna polarita (+) a (-). Nasadzte laserový modul (14) na pôvodné miesto.

Zarovnanie laserového lúča (obr. I)

Poznámka: Laser je určený ako pomocný prostriedok na vedenie rezu a nezaručuje absolútne presné prevedenie rezu.

Varovanie! Nastavovanie lasera nevykonávajte, pokiaľ je píla pripojená k elektrickej sieti.

- ◆ Podľa potreby pomocou nastaviteľnej skrutky (15) vyrovnajte smer laserového lúča s pílovým listom.

Viditeľnosť lasera (výkon) je znížená, ak dôjde k prehriatiu píly. Laserový lúč nemusí byť viditeľný, pokiaľ píla pracuje dlhšiu dobu preťažena.

Viditeľnosť laserového lúča sa vráti na normálnu úroveň po vychladnutí píly alebo po odpojení píly od elektrického prívodu.

Varovanie! Neponechávajte prehriaty laser v polohe zapnutej (ON).

Uistite sa, či je vypínač v polohe vypnutej (OFF) a vyberte batérie, aby sa prerušilo napájanie lasera.

Použitie lasera (obr. J a K)

Laser premieta čiaru rezu (18) na povrch obrobku.

- ◆ Ak chcete laser zapnúť, stlačte vypínač (16).
- ◆ Ak chcete laser vypnúť, stlačte vypínač opäť (16).

Sledovanie vyznačenej čiary rezu (17) priamo nad pílou zaistí jednoduché prevedenie rezu. Pokiaľ by sledovanie čiary rezu bolo z akéhokoľvek dôvodu obmedzené, pri vedení rezu sa môže používať laserový lúč.

- ◆ Ceruzkou si vyznačte líniu rezu (17).
- ◆ Pílu si umiestnite nad vyznačenú líniu (17).

- ◆ Zapnite laser.

Práca s pracovným osvetlením (obr. L a M) (iba pre modely ,W')

Modely s označením W v katalógovom čísle sú vybavené diódovým osvetlením (19), ktoré osvetľuje pracovnú plochu v okolí pílového listu.

- ◆ Ak chcete diódové svetlá zapnúť, presuňte prepínač (20) do polohy (I).
- ◆ Ak chcete diódové svetlá vypnúť, presuňte prepínač (20) do polohy (0).

Rady na optimálne použitie**Rezanie vrstvených materiálov**

Pri rezaní vrstvených dosák môžu vznikať úlomky, ktoré povrch dosky znehodnotia. Najpoužívanejšie pílové listy režu pri pohybe smerom nahor, preto v prípade, ak je päťka píly pritlačená na lícovú stranu dosky, použite pílový list, ktorý prevádza rez pri pohybe smerom nadol, alebo:

- ◆ Používajte pílové listy s jemnými zubami.
- ◆ Prevádzajte rezanie zo zadnej strany obrobku.
- ◆ Ak chcete obmedziť štiepenie materiálu, zovrite obrobok z oboch strán pomocou kúska dreva alebo sololitu a reže cez celú túto zostavu.

Rezanie kovu

Pamätajte si, že rezanie kovu trvá omnoho dlhšie ako rezanie dreva.

- ◆ Používajte pílový list vhodný na rezanie kovu.
- ◆ Pri rezaní tenkých plechov pripevnite k spodnej strane obrobku kúsok dreva a reže cez celú túto zostavu.
- ◆ Naneste na predpokladanú čiaru rezu olejový film.

Údržba

Vaše náradie Black & Decker bolo skonštruované tak, aby pracovalo čo najdlhšie s minimálnymi nárokmi na údržbu. Dlhodobé bezproblémové fungovanie náradia závisí od jeho správnej údržby a pravidelného čistenia.

- ◆ Vetracie otvory Vášho prístroja pravidelne čistite mäkkou kefkou alebo suchou handričkou.
- ◆ Pomocou vlhkej handričky pravidelne čistite kryt motora. Nepoužívajte žiadne brúsne alebo rozpúšťacie čistiace prostriedky. Zabráňte vniknutiu kvapalín do vnútra náradia a nikdy žiadnu časť náradia neponárajte do vody.

Výmena sieťovej zástrčky (iba pre Veľkú Britániu a Írsko)

Ak budete inštalovať novú zástrčku prívodného kábla:

- ♦ Zastíte ekologické odstránenie starej zástrčky.
- ♦ Pripojte hnedý vodič k svorke pod napätím na novej zástrčke.
- ♦ Modrý vodič pripojte k nulovej svorke.

Varovanie! K uzemňovacej svorke nesmie byť pripojený žiadny vodič. Dodržujte montážne pokyny dodávané s kvalitnými zástrčkami. Odporúčaná poistka: 5 A.

Ochrana životného prostredia



Triedený odpad. Tento prístroj nesmie byť vyhodený do bežného domového odpadu.

Hneď ako zistíte, že náradie Black & Decker musíte vymeniť alebo ak ho nebudete ďalej používať, myslíte na ochranu životného prostredia a nevyhadzujte náradie do domáceho odpadu. Zlikvidujte toto náradie v triedenom odpade.



Triedený odpad umožňuje recykláciu a opätovné využitie použitých výrobkov a obalových materiálov. Opätovné použitie recyklovaných materiálov pomáha chrániť životné prostredie pred znečistením a znižuje spotrebu surovín.

Pri zakúpení nových výrobkov vám predajne, miestne zberne odpadov alebo recyklačné stanice poskytnú informácie o správnej likvidácii elektroodpadov z domácnosti.

Spoločnosť Black & Decker tiež poskytuje možnosť zberu použitých výrobkov alebo ich recykláciu. Ak chcete využiť túto službu, vráťte prosím Váš výrobok ktorémukoľvek servisnému stredisku, ktoré náradie odoberie a zaistí jeho recykláciu.

Pre uplatňovanie reklamácie je nutné predajcovi alebo servisnému stredisku predložiť doklad o zakúpení výrobku. Kontakty na Vaše regionálne strediská Black & Decker nájdete v tomto návode. Zoznam značkových servisov Black & Decker, ďalšie podrobnosti o našom popredajnom servise a ostatné kontakty nájdete na našej internetovej adrese: **www.2helpU.com**

Akumulátory



Po ukončení prevádzkovej životnosti likvidujte akumulátory tak, aby nedošlo k ohrozeniu životného prostredia:

- ♦ Zabráňte skratu kontaktov akumulátora.
- ♦ Pri likvidácii nevyhadzujte nepotrebné akumulátory do ohňa, pretože by mohlo dôjsť k zraneniu osôb alebo k explózii akumulátorov.

Technické údaje

	KS800S KS800SL TYP 1
Napätie	V 230
Stanovený príkon	W 520
Otáčky naprázdno	min ⁻¹ 800-3000
Max. hĺbka rezu	
Drevo	mm 70
Oceľ	mm 5
Hliník	mm 15
Hmotnosť	kg 2,2

Hladina akustického tlaku podľa normy EN 60745:
Akustický tlak (L_{pA}) 89 dB(A), odchýlka (K) 3 dB(A),
Akustický výkon (L_{WA}) 100 dB(A),
odchýlka (K) 3 dB(A)

Celková úroveň vibrácií (priestorový vektorový súčet) podľa normy EN 60745:
Rezanie dreva ($a_{h,CW}$) 6,0 m/s²,
odchýlka (K) 1,5 m/s²,
Rezanie kovu ($a_{h,CM}$) 6,5 m/s²,
odchýlka (K) 1,5 m/s²

ES Vyhlásenie o zhode v rámci EÚ SMERNICA PRE STROJOVÉ ZARIADENIA



KS800S, KS800SL

Spoločnosť Black & Decker vyhlasuje, že tieto produkty popisované v technických údajoch spĺňajú požiadavky nasledujúcich noriem: 2006/42/EC, EN60745-1, EN60745-2-11

Tieto výrobky spĺňajú tiež požiadavky smernice 2004/108/EC a 2011/65/EU.

Ak chcete získať ďalšie informácie, kontaktujte, prosím, spoločnosť Black & Decker na tejto adrese alebo na adresách, ktoré sú uvedené na konci tohto návodu.

Nižšie podpísaná osoba je zodpovedná za zostavenie technických údajov a vydáva toto prehlásenie v zastúpení spoločnosti Black & Decker.

Kevin Hewitt
Viceprezident
pre spotrebiteľskú techniku
Black & Decker Europe,
210 Bath Road, Slough,
Berkshire, SL1 3YD, Veľká Británia
23-04-2012

Záruka

Spoločnosť Black & Decker je presvedčená o kvalite svojich výrobkov a ponúka mimoriadnu záruku. Táto záruka je ponúkaná v prospech zákazníka a nijako neovplyvní jeho zákonné záručné práva. Táto záruka platí vo všetkých členských štátoch EÚ a v Európskej zóne voľného obchodu EFTA.

Ak sa objavia na výrobku Black & Decker, v priebehu 24 mesiacov od kúpy, akékoľvek materiálové či výrobné chyby, garantujeme v snahe o minimalizovanie Vašich starostí bezplatnú výmenu chybných dielov, opravu alebo výmenu celého výrobku za nižšie uvedených podmienok:

- ◆ Výrobok nebol používaný na obchodné alebo profesionálne účely a nedochádzalo k jeho prenájmu.
- ◆ Výrobok nebol vystavený nesprávnemu použitiu a nebola zanedbaná jeho predpísaná údržba.
- ◆ Výrobok nebol poškodený cudzím zavinením.

- ◆ Opravy neboli vykonávané inými osobami, než autorizovanými opravármi alebo mechanikmi autorizovaného servisu Black & Decker.

Ak požadujete záručnú opravu, budete musieť predajcovi alebo zástupcovi autorizovaného servisu predložiť doklad o kúpe výrobku. Miesto najbližšieho autorizovaného servisu Black & Decker nájdete na príslušnej adrese uvedenej v tomto návode. Zoznam autorizovaných servisov Black & Decker a podrobnosti o popredajnom servise nájdete tiež na internetovej adrese: www.2helpU.com

Navštívte, prosím, našu internetovú stránku www.blackanddecker.sk, aby ste mohli zaregistrovať Váš nový výrobok Black & Decker a kde budete informovaní o našich nových výrobkoch a špeciálnych ponukách. Na adrese www.blackanddecker.sk sú k dispozícii ďalšie informácie o značke Black & Decker a o celom rade našich ďalších výrobkov.

Назначение

Ваш лобзик Black & Decker предназначен для распиливания древесины, пластика и металла. Этот инструмент предназначен только для бытового использования.

Инструкции по безопасности

Общие правила безопасности при работе с электроинструментами



Внимание! Перед началом работы внимательно прочтите все правила безопасности и инструкции по эксплуатации. Несоблюдение приведенных ниже инструкций может привести к поражению электрическим током, возникновению пожара и/или получению серьезной травмы.

Сохраняйте все инструкции и правила безопасности для дальнейшего пользования. Термин “Электроинструмент” во всех приведенных ниже указаниях относится к Вашему сетевому (с кабелем) электроинструменту или аккумуляторному (беспроводному) электроинструменту.

1. Безопасность рабочего места

- а. Содержите рабочее место в чистоте и обеспечьте хорошее освещение.** Беспорядок на рабочем месте и плохая освещенность могут привести к несчастному случаю.
- б. Не используйте электроинструмент, если есть опасность возгорания или взрыва, например, вблизи легко воспламеняющихся жидкостей, газов или пыли.** В процессе работы электроинструмента появляются искры, которые могут воспламенить пыль или пары.
- в. Не подпускайте близко детей или посторонних лиц во время работы электроинструментом.** Вы можете отвлечься и потерять контроль над электроинструментом.

2. Электробезопасность

- а. Вилка кабеля электроинструмента должна подходить к сетевой розетке. Ни в коем случае не вносите изменения в конструкцию вилки электрокабеля. Не пользуйтесь адаптерной вставкой для подключения заземленных электроинструментов.**

Немодифицированные вилки и подходящие к ним сетевые розетки снижают риск поражения электрическим током.

- б. Избегайте контактов частей тела с заземленными объектами, например, трубопроводами, радиаторами отопления, электроплитами и холодильниками.** Существует повышенный риск поражения электрическим током, если вы какой-либо частью тела касаетесь земли.
 - в. Не подвергайте электроинструмент воздействию дождя или влаги.** Попадание жидкости внутрь электроинструмента повышает риск поражения электрическим током.
 - г. Бережно обращайтесь с кабелем. Ни в коем случае не переносите электроинструмент, держа его за кабель, и не беритесь за кабель при отключении от сетевой розетки. Не подвергайте кабель воздействию влаги и масла и держите его подальше от острых кромок и движущихся деталей.** Повышают риск поражения электрическим током.
 - д. При работе электроинструментом вне помещения пользуйтесь удлинительным кабелем, предназначенным для наружных работ.** Использование кабеля, предназначенного для работы вне помещения, снижает риск поражения электрическим током.
 - е. При необходимости работы электроинструментом во влажном помещении используйте источник питания, оборудованный устройством защитного отключения (УЗО).** Использование УЗО снижает риск поражения электрическим током.
- ### 3. Индивидуальная безопасность
- а. Будьте внимательны, следите за тем, что Вы делаете и руководствуйтесь здравым смыслом, когда Вы работаете электроинструментом. Не пользуйтесь электроинструментом, если Вы устали или находитесь под действием наркотиков, алкоголя или лекарств.** Минутная невнимательность при работе электроинструментами может привести к серьезной травме.
 - б. Пользуйтесь средствами индивидуальной защиты. Всегда**

- надевайте защитные очки.** Разумное использование таких средств индивидуальной защиты, как респиратор, ботинки на нескользящей подошве, защитный шлем и слухозащитные наушники, значительно снизит риск получения травмы.
- в. Не допускайте случайного запуска. Перед тем, как подключить электроинструмент к сети и/или аккумулятору, поднять или перенести его, убедитесь, что выключатель находится в положении “выключено”.** Не переносите электроинструмент с нажатой кнопкой выключателя, и не подключайте к сетевой розетке электроинструмент, выключатель которого установлен в положение “включено”. Это может привести к несчастному случаю.
- г. Перед включением электроинструмента снимите регулировочный или гаечный ключ.** Оставленный закрепленным на вращающейся части регулировочный или гаечный ключ может стать причиной тяжелой травмы.
- д. Не допускайте перенапряжения. Всегда твердо стойте на ногах, сохраняя равновесие.** Это поможет Вам не потерять контроль над электроинструментом в непредвиденной ситуации.
- е. Одевайтесь соответствующим образом. Не носите свободную одежду или украшения. Следите за тем, чтобы Ваши волосы, одежда или перчатки не попали в движущиеся части инструмента.** Свободная одежда, украшения или длинные волосы могут попасть в движущиеся части инструмента.
- ж. Если электроинструмент имеет устройства для подключения систем сбора и удаления пыли, убедитесь, что эти системы подключены и используются надлежащим образом.** Использование таких систем значительно снижает опасность, связанную с запыленностью рабочего пространства.
- 4. Использование и уход за электроинструментом**
- а. Не перегружайте электроинструмент. Используйте Ваш инструмент по назначению.** Электроинструмент работает надежно и безопасно только при соблюдении параметров, указанных в его технических характеристиках.
- б. Не используйте электроинструмент, если его выключатель не устанавливается в положение включения или выключения.** Электроинструмент с неисправным выключателем представляет опасность и подлежит ремонту.
- в. Отключайте электроинструмент от сетевой розетки и/или извлекайте аккумуляторную батарею перед регулированием, заменой принадлежностей или при хранении электроинструмента.** Такие меры предосторожности снижают риск случайного включения электроинструмента.
- г. Храните неиспользуемые электроинструменты в недоступном для детей месте и не позволяйте лицам, не знакомым с электроинструментом или данными инструкциями, работать электроинструментом.** Электроинструменты представляют опасность в руках неопытных пользователей.
- д. Проверяйте исправность электроинструмента. Проверяйте точность совмещения и легкость перемещения подвижных деталей, целостность деталей и любых других элементов электроинструмента, воздействующих на его работу.** Направляйте поврежденные электроинструменты в ремонт. Многие несчастные случаи являются следствием плохого ухода за электроинструментом.
- е. Следите за остротой заточки и чистотой режущих принадлежностей.** Принадлежности с острыми кромками позволяют избежать заклинивания и делают работу менее утомительной.
- ж. Используйте электроинструмент, принадлежности и насадки в соответствии с данным Руководством и с учетом рабочих условий и характера будущей работы.** Использование электроинструмента не по назначению может создать опасную ситуацию.
- 5. Техническое обслуживание**
- а. Ремонт Вашего электроинструмента должен производиться только квалифицированными специалистами**

с использованием оригинальных запасных частей. Это обеспечит безопасность Вашего электроинструмента в дальнейшей эксплуатации.

Дополнительные меры безопасности при работе электроинструментами



Внимание! Дополнительные меры безопасности при работе лобзиками.

- ◆ **Держите инструмент за изолированные ручки при выполнении операций, во время которых режущий инструмент может соприкоснуться со скрытой проводкой или собственным кабелем.** Если кабель, находящийся под напряжением, окажется перерезанным, то на неизолированных металлических частях инструмента также появится напряжение, что приведет к поражению электрическим током.
- ◆ **Используйте тиски или другие приспособления для фиксации обрабатываемой детали, при этом кладите ее на неподвижную поверхность.** Если держать обрабатываемую деталь руками или с упором в собственное тело, то можно потерять контроль над инструментом или обрабатываемой деталью.
- ◆ **Держите руки вне зоны резания.** Ни в коем случае не держите руки под заготовкой. Не помещайте пальцы вблизи пилки и зажима пилки. Не стабилизируйте положение лобзика, удерживая его за поворотную подошву.
- ◆ **Следите за остротой заточки.** Затупленные или поврежденные пилки могут заставить пилу отклониться от линии реза или остановиться под воздействием чрезмерного усилия. Всегда используйте пилку, максимально соответствующую материалу заготовки и характеру реза.
- ◆ **Прежде чем приступить к резке трубы или канала, убедитесь, что в них нет воды, электропроводки и т.д.**
- ◆ **Не дотрагивайтесь до заготовки или пилки сразу же после работы инструментом.** Они могут быть очень горячими.
- ◆ **Ознакомьтесь с возможными скрытыми опасностями перед началом работы.** Прежде, чем резать стены, полы или

потолки, проверьте их на наличие электропроводки и трубопроводов.

- ◆ **Пилка будет продолжать движение некоторое время после того, как Вы отпустите выключатель.** Всегда выключайте электроинструмент и ждите, пока пилка полностью не остановится прежде, чем положить электроинструмент.

Внимание! Не допускайте попадания пыли, образующейся в процессе шлифования, на кожу, слизистые оболочки и в органы дыхания. Это может представлять опасность для здоровья оператора и стоящих рядом лиц. Пользуйтесь специальным респиратором, предназначенным для защиты от пыли и паров; следите, чтобы люди, находящиеся в зоне работ, или входящие в нее, также надевали респиратор.

- ◆ В данном руководстве описываются виды работ, для которых предназначен данный инструмент. Используйте все насадки и приспособления и работайте данным инструментом строго в соответствии с данным руководством. Использование не по назначению может привести к серьезной травме и повреждению инструмента или обрабатываемого изделия.

Безопасность посторонних лиц

- ◆ Использование инструмента физически или умственно неполноценными людьми, а также детьми и неопытными лицами допускается только под контролем ответственного за их безопасность лица.
- ◆ Не позволяйте детям играть с электроинструментом.

Вибрация

Значения уровня вибрации, указанные в технических характеристиках инструмента и декларации соответствия, были измерены в соответствии со стандартным методом определения вибрационного воздействия согласно EN 60745 и могут использоваться при сравнении характеристик различных инструментов. Указанные значения уровня вибрации могут также использоваться для предварительной оценки величины вибрационного воздействия.

Внимание! Значения вибрационного воздействия при работе электроинструментом зависят от вида работ, выполняемых данным инструментом, и могут отличаться от

заявленных значений. Уровень вибрации может превышать заявленное значение.

При оценке степени вибрационного воздействия для определения необходимых защитных мер (2002/44/ЕС) для людей, использующих в процессе работы электроинструменты, необходимо принимать во внимание действительные условия использования электроинструмента, учитывая все составляющие рабочего цикла, в том числе время, когда инструмент находится в выключенном состоянии, и время, когда он работает без нагрузки, а также время его запуска и отключения.

Маркировка инструмента



Внимание! Внимательное ознакомление с руководством по эксплуатации поможет снизить риск получения травмы.

Электробезопасность



Данный электроинструмент защищен двойной изоляцией, исключающей потребность в заземляющем проводе. Всегда проверяйте, соответствует ли напряжение, указанное на табличке с техническими параметрами, напряжению источника питания.

- ♦ Во избежание опасности, замена поврежденного кабеля питания должна производиться только на заводе-изготовителе или в авторизованном сервисном центре Black & Decker.

Дополнительные правила при работе с батарейками

- ♦ Ни в коем случае не пытайтесь разобрать батарейку.
 - ♦ Не храните в местах, где температура может превысить 40°C.
 - ♦ Утилизируйте отработанные батарейки, следуя инструкциям раздела "Защита окружающей среды".
- Не сжигайте батарейки.
- ♦ При работе в экстремальных условиях из батарейки может начать вытекать жидкость. Если Вы заметили жидкость на поверхности батарейки, поступите следующим образом:
 - Удалите салфеткой жидкость с поверхности батарейки. Избегайте контакта с кожей.

Дополнительные правила безопасности при работе с лазерными приборами



Внимательно прочитайте данное руководство по эксплуатации.



Не допускайте детей до 16 лет к работе данным электроинструментом.



Внимание! Лазер!



Ни в коем случае не смотрите на лазерный луч.



Ни в коем случае не рассматривайте лазерный луч через оптические приборы.

- ♦ Данный лазерный прибор относится ко 2-му классу в соответствии со стандартом IEC60825-1:2007. Не заменяйте лазерный диод диодом другого типа. При необходимости, ремонт лазерного прибора производите в авторизованном сервисном центре.
- ♦ Используйте лазерный прибор только для проецирования лазерных линий.
- ♦ Попадание луча лазера 2-го класса в глаз считается безопасным в течение не более 0,25 секунды. В этом случае ответная реакция глазного века обеспечивает надежную защиту глаза. При расстоянии более 1 метра данный лазерный прибор можно рассматривать как полностью безопасный лазер 1-го класса.
- ♦ Ни в коем случае не смотрите преднамеренно прямо на лазерный луч.
- ♦ Ни в коем случае не рассматривайте лазерный луч через оптические приборы.
- ♦ Устанавливайте лазерный прибор в таком положении, чтобы лазерный луч не проходил на уровне глаз окружающих Вас людей.
- ♦ Не позволяйте детям находиться вблизи лазерного прибора.

Особенности

1. Кнопка застопоривания включателя
2. Выключатель
3. Крышка отделения для хранения пилкок
4. Рычаг блокировки подошвы
5. Отверстие пылеотвода
6. Адаптер пылеотвода
7. Подошва
8. Диск Auto Select™

9. Направляющий ролик пилки
10. Зажим пилки без использования инструмента

Дополнительные особенности (Рис. А)

В некоторых моделях имеются дополнительные конструктивные особенности. На рисунке А показаны дополнительные особенности инструментов в соответствии с их номерами в каталоге.

Сборка

Внимание! Перед выполнением любой из следующих операций убедитесь, что электроинструмент выключен и отсоединен от электросети, и что пилка остановилась. В процессе работы пилка нагревается.

Установка пилки (рис. В)

- ◆ Держите пилку (11) так, чтобы кромка с зубьями была направлена вперед.
- ◆ Оттяните зажим для пилки (10) вниз.
- ◆ Вставьте хвостовик пилки в держатель (12) до упора.
- ◆ Отпустите зажим (10).

Хранение пилки (Рис. С)

Пилки (11) можно держать в отделении для хранения, расположенном сбоку.

- ◆ Откройте крышку отделения для хранения пилки (3), держась за язычок на верхней части крышки.
- ◆ Пилки удерживаются в отделении для хранения с помощью магнитной полоски. Чтобы вынуть пилку, нажмите на нее с одной стороны, чтобы она поднялась с другой стороны, и вытащите пилку.
- ◆ Закройте крышку отделения для хранения пилки (3) и проверьте, что оно закрылось на защелку.

Внимание! Во время работы инструментом крышка отделения для пилки должна быть надежно закрыта.

Подсоединение пылесоса

к электроинструменту (Рис. D)

Чтобы подсоединить пылесос или устройство пылеудаления к электроинструменту, требуется адаптер. Вы можете приобрести адаптер (6) у Вашего местного дилера Black & Decker.

- ◆ Вставьте адаптер (6) в отверстие для пылеудаления (5)
- ◆ Подсоедините шланг пылесоса к адаптеру (6).

Остаточные риски

При работе с данным инструментом возможно возникновение дополнительных остаточных рисков, которые не вошли в описанные здесь правила техники безопасности. Эти риски могут возникнуть при неправильном или продолжительном использовании изделия и т.п.

Несмотря на соблюдение соответствующих инструкций по технике безопасности и использование предохранительных устройств, некоторые остаточные риски невозможно полностью исключить. К ним относятся:

- ◆ Травмы в результате касания вращающихся/двигающихся частей инструмента.
- ◆ Риск получения травмы во время смены деталей электроинструмента, пильных дисков или насадок.
- ◆ Риск получения травмы, связанный с продолжительным использованием инструмента. При использовании инструмента в течение продолжительного периода времени делайте регулярные перерывы в работе.
- ◆ Ухудшение слуха.
- ◆ Ущерб здоровью в результате вдыхания пыли в процессе работы с электроинструментом (например, при распиле древесины, в особенности, дуба, бука и ДВП).

Эксплуатация

Регулировка угла наклона подошвы для выполнения косых резов (Рис. Е и F)

Внимание! Никогда не работайте инструментом при незакрепленной или снятой подошве.

Подошва (7) может устанавливаться с наклоном как в левую, так и в правую сторону с максимальным углом наклона 45°.

- ◆ Для изменения наклона подошвы (7), потяните за рычаг блокировки подошвы (4), чтобы ее разблокировать (рис. F).
- ◆ Наклоните подошву (7) так, чтобы она приняла нужное вам положение с углом наклона 15°, 30° или 45°. Значение угла наклона показывается в соответствующем окошке.
- ◆ Отодвиньте рычаг блокировки подошвы (4) назад, заблокировав таким образом подошву (7).

Для возврата подошвы (7) в положение для прямолинейных резов:

- ♦ Выдвиньте рычаг блокировки подошвы (4) наружу, чтобы разблокировать подошву (7).
- ♦ Поверните подошву (7) так, чтобы установить ее в положение с углом наклона 0°, затем сдвиньте подошву назад.

- ♦ Отодвиньте рычаг блокировки подошвы (4) назад, заблокировав таким образом подошву (7).

Как пользоваться диском Auto Select™ (рис. G)

Данный инструмент оснащен уникальным диском Auto Select™ (8) для установки скорости и маятникового движения пилки, что позволяет использовать инструмент для выполнения самых различных видов работ. Чтобы установить самые оптимальные для разрезаемого материала скорость и маятниковое движение пилки, поверните диск (8) в положение, указанное в таблице ниже:

	Значок	Вид работы	Скорость	Тип пилки
		Кухонные рабочие поверхности, столешницы, ламинатная доска	Высокая скорость	Стандартная пилка по дереву
		Криволинейные поверхности, изделия авторской работы, твердая древесина, палубный настил, полы	Высокая скорость	Пилка по дереву для криволинейных резов, Стандартная пилка по дереву
		Фанера и деревянные панели	Высокая скорость	Стандартная пилка по дереву
		Обычная древесина, мягкая древесина, быстрое продольное пиление	Высокая скорость	Стандартная пилка по дереву
		Пластик, perspекс, поливинилхлорид	Средняя скорость	Универсальная пилка
		Жестяные листы, керамическая плитка, стекловолокно-листы	Низкая скорость	Пилка по металлу, керамике или стекловолокну
		Низкая скорость, точный старт	Очень низкая скорость	Выберите подходящую для вашего вида работы пилку

Включение и выключение

- ◆ Чтобы включить инструмент, нажмите на включатель (2).
- ◆ Чтобы выключить инструмент, отпустите кнопку включателя (2).
- ◆ Для непрерывной работы нажмите кнопку застопоривания включателя (1) и отпустите включатель (2).
- ◆ Для выключения инструмента, находящегося в режиме непрерывной работы, нажмите кнопку включателя (2) еще раз и отпустите его.

Пиление

При резании крепко держите электроинструмент двумя руками. В процессе резания прижимайте подошву (7) к поверхности материала. Это поможет избежать подпрыгивания лобзика, снизит вибрацию и вероятность поломки пилки.

- ◆ Дайте пилке поработать без нагрузки несколько секунд прежде, чем приступить к выполнению реза.
- ◆ Работайте, прилагая к электроинструменту только легкое усилие.

Работа с лазерным устройством (рис. Н - К) (только для моделей с маркировкой 'L')

Установка батареек (рис. Н)

Отсоедините лазерное устройство (14) от лобзика, выкрутив винт (13) и потянув лазерное устройство вперед. Вставьте две новых щелочных батарейки типа ААА напряжением 1,5 В, соблюдая полярность. Вставьте лазерное устройство (14) обратно.

Настройка лазера (рис. I)

Примечание: Лазер служит в качестве вспомогательного инструмента при резке и не гарантирует точность распила.

Внимание! Не проводите настройку лазера, когда лобзик подключен к сети электропитания.

- ◆ При необходимости используйте винт регулировки лазера (15), чтобы отрегулировать положение лазерной линии относительно пилки.

При перегреве лобзика видимость лазерной линии (мощность лазера) уменьшается. Лазерная линия может стать невидимой, если лобзик подвергается перегрузке в течение длительного времени. Видимость лазера постепенно вернется к норме по мере остывания инструмента, даже если инструмент отключен от сети электропитания.

Внимание! Не оставляйте включенным перегретый лазер. Убедитесь, что лазер выключатель находится в положении выкл., и выньте батарейки, чтобы отключить питание лазера.

Использование лазерного устройства (рис. J и K)

Лазер проецирует линию распила (18) на распиливаемую поверхность.

- ◆ Для включения лазера нажмите кнопку (16).
- ◆ Для выключения лазера снова нажмите кнопку (16).

По линии распила (17) легко следовать, если смотреть на нее непосредственно сверху лобзика. Если по какой-либо причине нет возможности смотреть в прямом направлении, то можно использовать лазер в качестве неосновного средства ориентирования при резке.

- ◆ Используйте карандаш, чтобы отметить линию распила (17).
- ◆ Расположите лобзик над этой линией (17).
- ◆ Включите лазер.

Использование рабочего освещения (рис. L и M) (только для моделей с маркировкой 'W')

Модели, имеющие в каталожном номере маркировку "W", оборудованы светодиодным устройством (19) для освещения пространства вокруг инструмента.

- ◆ Для включения рабочего освещения передвиньте переключатель (20) в положение вкл.(I).
- ◆ Для выключения рабочего освещения передвиньте переключатель (20) в положение выкл.(0).

Советы по оптимальному использованию

Пиление ламината

При резании ламината может произойти его расщепление, что испортит внешний вид лицевой поверхности. Большинство стандартных пилок выполняют рез при ходе вверх, поэтому, если подошва располагается на лицевой поверхности, используйте пилку, которая режет при ходе вниз, или:

- ◆ Используйте пилку с мелкими зубьями.
- ◆ Пилите по обратной стороне заготовки.
- ◆ Чтобы избежать расщепления ламината, поместите заготовку между двумя панелями из древесины или ДСП и пилите получившуюся сэндвич-панель.

Резание металла

Имейте в виду, что резание металла занимает гораздо больше времени, чем резание дерева.

- ◆ Пользуйтесь пилой, предназначенной для резания металла.
- ◆ Для резания тонколистового металла, прикрепите деревянную панель к обратной стороне заготовки и выполняйте рез по получившейся сэндвич-панели.
- ◆ Смажьте маслом предполагаемую линию реза.

Техническое обслуживание

Ваш электроинструмент Black & Decker рассчитан на работу в течение продолжительного времени при минимальном техническом обслуживании

Срок службы и надежность инструмента увеличивается при правильном уходе и регулярной чистке.

- ◆ Регулярно очищайте вентиляционные прорези Вашего электроинструмента мягкой щеткой или сухой салфеткой.
- ◆ Регулярно очищайте корпус двигателя влажной салфеткой. Не пользуйтесь абразивными чистящими средствами или растворителями. Не допускайте попадания жидкости внутрь электроинструмента и ни в коем случае не погружайте какую-либо часть электроинструмента в жидкость.

Защита окружающей среды



Раздельный сбор. Данное изделие нельзя утилизировать вместе с обычными бытовыми отходами.

Если однажды Вы захотите заменить Ваш электроинструмент Black & Decker, или Вы больше в нем не нуждаетесь, не выбрасывайте его вместе с бытовыми отходами. Отнесите изделие в специальный приемный пункт.



Раздельный сбор изделий с истекшим сроком службы и их упаковок позволяет пускать их в переработку и повторно использовать. Использование переработанных материалов помогает защищать окружающую среду от загрязнения и снижает расход сырьевых материалов.

Местное законодательство может обеспечить сбор старых электроинструментов отдельно от

бытового мусора на муниципальных свалках отходов, или Вы можете сдавать их в торговом предприятии при покупке нового изделия.

Фирма Black & Decker обеспечивает прием и переработку отслуживших свой срок изделий Black & Decker. Чтобы воспользоваться этой услугой, Вы можете сдать Ваше изделие в любой авторизованный сервисный центр, который собирает их по нашему поручению.

Вы можете узнать местонахождение Вашего ближайшего авторизованного сервисного центра, обратившись в Ваш местный офис Black & Decker по адресу, указанному в данном руководстве по эксплуатации. Кроме того, список авторизованных сервисных центров Black & Decker и полную информацию о нашем послепродажном обслуживании и контактах Вы можете найти в интернете по адресу: www.2helpU.com.

Батарейки питания



По окончании срока службы утилизируйте отработанные батарейки питания безопасным для окружающей среды способом:

- ◆ Не допускайте короткого замыкания контактов батареек питания.
- ◆ Не бросайте батарейку (батарейки) питания в огонь - это может послужить причиной взрыва или получения тяжелой травмы.

Технические характеристики

		KS800S KS800SL ТИП 1
Напряжение	Вперем.ток	230
Номинальная потребляемая мощность	Вт	520
Число оборотов (на х. х.)	об/мин	800-3000
Макс. глубина реза:		
Дерево	мм	70
Сталь	мм	5
Алюминий	мм	15
Вес	кг	2,2

Уровень звукового давления в соответствии с EN 60745:

Звуковое давление (L_{PA}) 89 дБ(А), погрешность (К) 3 дБ(А), Акустическая мощность (L_{WA}) 100 дБ(А), погрешность (К) 3 дБ(А)

Суммарная вибрация (по трем осям)
в соответствии с EN 60745:
Резка дерева ($a_{h,sw}$) 6,0 м/с², погрешность
(К) 1,5 м/с², Резка металла ($a_{h,cm}$) 6,5 м/с²,
погрешность (К) 1,5 м/с²

**Декларация соответствия ЕС
ДИРЕКТИВА ПО МЕХАНИЧЕСКОМУ
ОБОРУДОВАНИЮ**



KS800S, KS800SL

Black & Decker заявляет, что продукты,
обозначенные в разделе «Технические
характеристики», полностью соответствуют
стандартам: 2006/42/ЕС, EN60745-1,
EN60745-2-11

Эти продукты также соответствуют Директиве
2004/108/EU и 2011/65/EU.

За дополнительной информацией обращайтесь
по указанному ниже адресу или по адресу,
указанному на последней странице
руководства.

Нижеподписавшийся несет ответственность
за совпадение технических характеристик
и делает данное заявление от лица компании
Black & Decker

Кевин Хьюитт (Kevin Hewitt)

Вице-президент отдела
мирового проектирования
Black & Decker Europe,
210 Bath Road, Slough,

Berkshire, SL1 3YD, United Kingdom
23-04-2012

Black & Decker

Гарантийные условия

Уважаемый покупатель!

1. Поздравляем Вас с покупкой высококачественного изделия Black & Decker и выражаем признательность за Ваш выбор.
2. При покупке изделия требуйте проверки его комплектности и исправности в Вашем присутствии, инструкцию по эксплуатации и заполненный гарантийный талон на русском языке.
В гарантийном талоне должны быть внесены: модель, дата продажи, серийный номер, дата производства инструмента; название, печать и подпись торговой организации. При отсутствии у Вас правильно заполненного гарантийного талона, а также несоответствия указанных в нем данных мы будем вынуждены отклонить Ваши претензии по качеству данного изделия.
3. Во избежание недоразумений убедительно просим Вас перед началом работы с изделием внимательно ознакомиться с инструкцией по его эксплуатации. Правовой основой настоящих гарантийных условий является действующее Законодательство. Гарантийный срок на данное изделие составляет 24 месяца и исчисляется со дня продажи. В случае устранения недостатков изделия, гарантийный срок продлевается на период его нахождения в ремонте. Срок службы изделия составляет 5 лет со дня продажи.
4. В случае возникновения каких-либо проблем в процессе эксплуатации изделия рекомендуем Вам обращаться только в уполномоченные сервисные центры Black & Decker, адреса и телефоны которых Вы сможете найти в гарантийном талоне, на сайте www.2helpU.com или узнать в магазине. Наши сервисные станции - это не только квалифицированный ремонт, но и широкий ассортимент запчастей и принадлежностей.
5. Производитель рекомендует проводить периодическую проверку и техническое обслуживание изделия в уполномоченных сервисных центрах.

Сертификат №:
RU C-DE.ME77.B01533

EAC 

Действителен до:
21 мая 2019 г.

Выдан:
ООО "Центр по сертификации стандартизации и систем качества электро-машиностроительной продукции".
Адрес: 141400, РФ, Московская обл., г. Химки,
ул. Ленинградская, д. 29, тел: 8(495)7812587,
e-mail: oc.elmash@gmail.com

Изготовитель
Блэк энд Деккер Холдингс ГмБХ
Германия, 65510, Идштайн,
ул. Блэк энд Деккер, 40

6. Наши гарантийные обязательства распространяются только на неисправности, выявленные в течение гарантийного срока и вызванные дефектами производства и / или материалов.
7. **Гарантийные условия не распространяются на неисправности изделия, возникшие в результате:**
 - 7.1. Несоблюдения пользователем предписаний инструкции по эксплуатации изделия, применения изделия не по назначению, неправильном хранении, использовании принадлежностей, расходных материалов и запчастей, не предусмотренных производителем.
 - 7.2. Механического повреждения (сколы, трещины и разрушения) внутренних и внешних деталей изделия, основных и вспомогательных рукояток, сетевого электрического кабеля, вызванного внешним ударным или любым иным воздействием.
 - 7.3. Попадания в вентиляционные отверстия и проникновение внутрь изделия посторонних предметов, материалов или веществ, не являющихся отходами, сопровождающими применение изделия по назначению, такими как: стружка, опилки, песок, и пр.
 - 7.4. Воздействий на изделие неблагоприятных атмосферных и иных внешних факторов, таких как дождь, снег, повышенная влажность, нагрев, агрессивные среды, несоответствие параметров питающей электросети, указанных на инструменте.
 - 7.5. Стихийного бедствия. Повреждение или утрата изделия, связанное с непредвиденными бедствиями, стихийными явлениями, в том числе вследствие действия непреодолимой силы (пожар, молния, потоп и другие природные явления), а так же вследствие перепадов напряжения в электросети и другими причинами, которые находятся вне контроля производителя.
8. **Гарантийные условия не распространяются:**
 - 8.1. На инструменты, подвергавшиеся вскрытию, ремонту или модификации вне уполномоченного сервисного центра.
 - 8.2. На детали и узлы, имеющие следы естественного износа, такие как: приводные ремни и колеса, угольные щетки, смазка, подшипники, зубчатое зацепление редукторов, резиновые уплотнения, сальники, направляющие ролики, муфты, выключатели, бойки, толкатели, стволы, и т.п.
 - 8.3. На сменные части: патроны, цанги, зажимные гайки и фланцы, фильтры, аккумуляторные батареи, ножи, шлифовальные подошвы, цепи, звездочки, пильные шины, защитные кожухи, пилки, абразивы, пильные и абразивные диски, фрезы, сверла, буры и т.п.
 - 8.4. На неисправности, возникшие в результате перегрузки инструмента (как механической, так и электрической), повлекшей выход из строя одновременно двух и более деталей и узлов, таких как: ротора и статора, обеих обмоток статора, ведомой и ведущей шестерни редуктора или других узлов и деталей. К безусловным признакам перегрузки изделия относятся, помимо прочего: появление цветот побежалости, деформация или оплавление деталей и узлов изделия, потемнение или обугливание изоляции проводов электродвигателя под воздействием высокой температуры.

Область застосування

Ваша лобзикова пилка виробництва компанії Black & Decker була розроблена для розпилювання деревини, пластмаси та металу. Цей інструмент призначений лише для побутового використання.

Інструкції з техніки безпеки

Загальні правила безпеки для електричного інструменту



Попередження! Перед використанням інструменту уважно прочитайте всі попередження та інструкції. Невиконання всіх інструкцій, що наведені нижче, може призвести до ураження електричним струмом, пожежі та/або серйозних травм.

Зберігайте це керівництво для отримання інформації в подальшому. Термін „електричний інструмент“, в усіх попередженнях, перерахованих нижче, стосується використовуваних Вами інструментів, що працюють від мережі енергоспоживання (з використанням електричного кабелю) або акумуляторів (без кабелю).

1. Безпека робочої зони

- a. **Тримайте робочу зону чистою та добре освітленою.** Неупорядковані та темні робочі зони збільшують ймовірність нещасного випадку.
- b. **Не використовуйте електричні інструменти у вибухонебезпечній атмосфері, наприклад, в присутності вогнебезпечних рідин, газів та пилу.** Електричні інструменти створюють іскри, що можуть запалити пил або випаровування.
- c. **Тримайте дітей та сторонніх подалі під час використання електричного інструменту.** Відвернення уваги може призвести до втрати контролю.

2. Електрична безпека

- a. **Вилка електричного інструменту має відповідати розетці. Ніколи ніяким чином не змінюйте розетку. Не використовуйте ніяких адаптерів до вилки з заземленими електричним інструментами.** Не модифіковані вилки та розетки, що підходять до них, зменшують ризик ураження електричним струмом.

- b. **Уникайте контакту тіла з заземленими поверхнями, такими як труби, радіатори, плити та холодильники.** Якщо Ваше тіло заземлене, ризик ураження електричним струмом збільшується.
 - c. **Не залишайте електричні інструменти під дощем або в умовах підвищеної вологості.** Вода, що потрапляє в електричний інструмент, підвищує ризик ураження електричним струмом.
 - d. **Не використовуйте шнур не за призначенням. Ніколи не використовуйте шнур для перенесення, витягування або відключення інструменту від розетки мережі живлення. Тримайте шнур подалі від високих температур, мастила, гострих предметів та рухомих деталей.** Ушкоджений або заплутаний шнур підвищує ризик ураження електричним струмом.
 - e. **При використанні електричного інструменту на вулиці, використовуйте подовжувачий шнур, що підходить для використання на вулиці.** Використання шнура, що підходить для вулиці, знижує ризик ураження електричним струмом.
 - f. **Якщо неможливо уникнути використання електричного інструменту в умовах підвищеної вологості, використовуйте пристроєм залишкового струму (RCD).** Використання RCD знижує ризик ураження електричним струмом.
- ### 3. Особиста безпека
- a. **Будьте в стані готовності, дивіться, що ви робите, та використовуйте загальний глузд, коли ви працюєте з електричним інструментом. Не використовуйте електричний інструмент, коли ви втомлені або знаходитесь під впливом наркотичних речовин, алкоголю або ліків.** Втрата уваги при роботі з електричним інструментами може призвести до серйозних травм.
 - b. **Використовуйте особисті засоби безпеки. Завжди використовуйте засоби захисту очей.** Захисні пристрої, як, наприклад, протипилова маска, неслизькі захисні черевики, твердий капелюх або засоби захисту слуху, що використовуються для відповідних умов, можуть зменшити ризик травм.

- c. Уникнення випадкового запуску. **Переконайтесь в тому, що вимикач знаходиться в позиції Вкл. перед підключенням до джерела живлення та/ або акумулятора, переміщенням або перенесенням пристрою.** Перенесення інструменту, тримаючи палець на вимикачі, або підключення живлення з перемикачем в позиції Вкл. може призвести до нещасного випадку.
- d. **Зніміть всі налаштувальні ключі або гайкові ключі перед тим, як вмикати електричний інструмент.** Гайковий ключ, що залишився прикріпленим до якоїсь деталі електричного пристрою, що обертається, може призвести до травм.
- e. **Не перенапружуйтеся. Завжди утримуйте правильну постановку ніг і рівновагу.** Це дозволяє тримати електричний інструмент під кращим контролем в несподіваних ситуаціях.
- f. **Вдягайтеся відповідним чином. Не вдягайте вільний одяг чи прикраси. Тримайте Ваше волосся, одяг та рукавички подалі від рухомих деталей.** Вільний одяг, прикраси або довге волосся може зачепитися за рухомі деталі.
- g. **Якщо передбачені пристрої для підключення до засобів виділення та збирання пилу, переконайтеся, що вони правильно підключені та використовуються.** Використання таких пристроїв зменшує ризик виникнення небезпечних ситуацій, що пов'язані з потраплянням пилу.
- 4. Використання та догляд за електричним інструментом
 - a. **Не використовуйте надмірні зусилля при роботі з механізованим інструментом. Використовуйте відповідний електричний інструмент для вашої задачі.** Правильно обраний електричний інструмент виконає завдання краще та безпечніше за умов, для яких він був розроблений.
 - b. **Не використовуйте інструмент, вмикач якого не вмикає та не вмикає його.** Будь-який електричний інструмент, який не може управлятися вмикачем, є небезпечним і має бути відремонтований.
 - c. **Відключіть вилку від джерела живлення або акумулятор перед тим, як робити будь-які налаштування, зміни**

- додаткового обладнання чи зберігання інструменту. Ці профілактичні заходи зменшують ризик випадкового запуску електричного інструменту.
- d. **Бережіть вимкнені електричні інструменти від дітей та не дозволяйте особам, що не знайомі з електричним інструментом або цими інструкціями використовувати електричний інструмент.** Електричні інструменти є небезпечними в руках некваліфікованих користувачів.
- e. **Технічне обслуговування електричних інструментів. Перевіряйте на відсутність вирівнювання або заїдання рухомих деталей, ушкоджених частин та інших умов, що можуть впливати на роботу електричного інструменту. Якщо є ушкодження, відремонтуйте електричний інструмент перед використанням.** Багато нещасних випадків є результатом того, що інструмент не пройшов відповідного технічного обслуговування.
- f. **Тримайте ріжучі інструменти гострими та чистими.** Правильно доглянуті ріжучі інструменти з гострими ріжучими кромками мають меншу ймовірність заїдання, та ними легше керувати.
- g. **Використовуйте електричний інструмент, додаткові інструменти та деталі інструменту тощо у відповідності до цих інструкцій та відповідно до даного типу механізованих інструментів, зважаючи на умови використання та роботу, яка має бути виконана.** Використання електричних інструментів не за призначенням може призвести до виникнення небезпечних ситуацій.
- 5. Обслуговування
 - a. **Надавайте Ваш електричний інструмент для обслуговування кваліфікованим спеціалістом з ремонту та використовуйте тільки ідентичні замініні деталі.** Це забезпечить безпеку електричного пристрою, що обслуговується.

Додаткові правила безпеки для електричного інструменту



Попередження! Додаткові інструкції з техніки безпеки для ножівок.

- ◆ Тримайте електричний інструмент за ізольовані поверхні, працюючи з ним за умов, коли ріжучий інструмент може торкнутися прихованого дроту або власного шнура інструменту. Контакт з дротом під напругою призведе до виникнення напруги у металевих деталях інструменту та до ураження оператора електричним струмом.
- ◆ Використовуйте затискні пристрої та інші способи закріплення деталі на стабільній підставці. Утримування деталі в руках або притиснення її до тіла робить її нестабільною та може призвести до втрати контролю.
- ◆ Тримайте руки подалі від ріжучого краю. Ніколи не намагайтесь зробити щось під деталлю, що оброблюється. Не залишайте пальці поблизу зони роботи лез, що рухаються у напрямку одне до одного, або лез, що утворюють затиск. Не намагайтесь зупинити полотно ножівки, утримуючи його за місце кріплення.
- ◆ Підтримуйте леза гострими. Незагострені або пошкоджені леза можуть призвести до відхилення або зупинки ножівки під тиском. Завжди використовуйте відповідний тип пильного полотна в залежності від матеріалу деталі та типу розтину.
- ◆ При розрізанні труб переконайтесь, що в них немає води, електропроводки тощо.
- ◆ Не торкайтесь деталі або леза відразу після використання інструменту. Вони можуть стати дуже гарячими.
- ◆ Пам'ятайте про можливість схованої небезпеки перед розтинанням стін, підлог та стель, перевіряйте місце знаходження дротів та труб.
- ◆ Лезо продовжує рухатися після відпускання перемикача. Завжди після вимкнення інструменту зачекайте, доки він повністю не зупиниться, а лише потім покладіть його.

Попередження! Контакт або вдихання пилу від ріжучого обладнання є небезпечним для здоров'я оператора та, можливо, людей, що знаходяться поблизу. Вдягайте проти пиловий респіратор, що розроблено для захисту від пилу та випаровувань та переконайтесь, що люди в робочій зоні або люди, що потрапляють в робочу зону добре захищені.

- ◆ Використання за призначенням описане в цьому керівництві. Використання будь-яких аксесуарів або додаткових інструментів або виконання цим інструментом завдань, які не вказані в цьому керівництві, може призвести до травм та/або пошкодження майна.

Безпека сторонніх людей

- ◆ Цей інструмент не призначений для використання людьми (включаючи дітей) з недостатніми фізичними, сенсорними або розумовими можливостями, або з недостатнім досвідом або знаннями, за винятком ситуацій, коли вони працюють під контролем або отримали відповідні інструкції щодо використання пристрою від відповідального за їх безпеку.
- ◆ Діти повинні знаходитись під контролем, щоб гарантувати, що вони не будуть грати з пристроєм.

Вібрація

Значення вібрації, вказані в технічних даних та в декларації про відповідність виміряні з дотриманням стандартних методів тестування, наданих в EN 60745, та їх можна використовувати для порівняння одного інструменту з іншим. Задекларовані значення вібрації можна також використовувати для попередньої оцінки впливу вібрації.

Попередження! Значення вібрації під час використання інструменту може відрізнитися від задекларованого в залежності від способів використання інструменту. Рівень вібрації може перевищувати вказані значення.

При оцінці впливу вібрації для визначення заходів безпеки за вимогами 2002/44/ЕС, щоб захистити людей, що регулярно використовують інструменти в роботі, необхідно враховувати реальні умови та способи використання інструменту, включаючи врахування всіх періодів робочого циклу, наприклад, часу, коли інструмент вимкнено та коли він знаходиться в режимі очікування, а також часу реальної роботи інструменту.

Наклейки на інструментах



Попередження! Щоб зменшити ризик травм, користувач повинен прочитати керівництво з експлуатації.

Електрична безпека



Цей інструмент має подвійну ізоляцію; тому заземлення не є необхідним. Завжди перевіряйте, що джерело живлення відповідає напрузі, що вказана на табличці з паспортними даними.

- ◆ Якщо шнур живлення пошкоджений, його необхідно замінити, звернувшись до виробника або до офіційного сервісного центру компанії Black & Decker, щоб уникнути можливого ризику.

Додаткові інструкції з техніки безпеки для батарей, що не підлягають зарядці

- ◆ Ніколи не намагайтесь відкрити батарею.
- ◆ Не тримайте в місцях, де температура перевищує 40 °С.
- ◆ При знищенні батареї дотримуйтесь інструкцій, що наведені в розділі „Захист навколишнього середовища“.

Не спалюйте батареї.

- ◆ В надзвичайних умовах може виникнути витік батареї. Коли ви помітите рідину, що витікає з батареї, виконайте наступне:
 - Добре витріть рідину за допомогою ганчірки. Уникайте контакту зі шкірою.

Додаткові інструкції з техніки безпеки для лазерів



Уважно прочитати всі розділи цього керівництва.



Цей продукт не можна використовувати дітям до 16 років.



Лазерне випромінювання.



Не дивіться на промінь лазера.



Не використовуйте оптичні пристрої, щоб подивитися на промінь лазера.

- ◆ Цей лазер відповідає класу 2 згідно з IEC60825-1:2007. Не замінюйте лазерний діод на діод іншого типу. Якщо лазер пошкоджено, відремонтуйте його в авторизованому центрі з ремонту.
- ◆ Не використовуйте лазер для інших цілей, крім проектування ліній випромінювання лазера.
- ◆ Вплив лазерного променя класу 2 на очі вважається безпечним, якщо не перевищує

0,25 секунди. Рефлекси повік звичайно надають відповідний захист. На відстані більше 1м, лазер відповідає класу 1 та вважається повністю безпечним.

- ◆ Ніколи не дивіться безпосередньо та навмисне на лазерний промінь.
- ◆ Не використовуйте оптичні пристрої, щоб подивитися на промінь лазера.
- ◆ Не встановлюйте інструмент в місцях, де лазерний промінь може потрапити на людину на рівні голови.
- ◆ Не дозволяйте дітям знаходитись поряд з лазером.

Деталі

1. Кнопка захвату
2. Вимикач
3. Кришка відсіку для зберігання леза
4. Блокуючий важіль опорної плити
5. Вихідний отвір пиловловлювання
6. Адаптер пиловловлювання
7. Опорна плита
8. Селектор Auto Select™ (автоматичного вибору)
9. Опорний ролик леза
10. Затискний пристрій леза, що не вимагає використання інструментів

Додаткові деталі (мал. А)

Додаткові деталі наявні в залежності від придбаної моделі. Додаткові деталі, що вказані в каталозі за номерами, показані на мал. А.

Зборка

Попередження! Перед тим як виконувати наступні операції переконайтесь, що інструмент вимкнений та відключений від мережі живлення, а пильне полотно зупинене. Після використання полотна ножівки можуть бути гарячими.

Встановлення ріжучого полотна (мал. В)

- ◆ Тримайте ріжуче полотно (11) як показано, щоб зубці дивилися вперед.
- ◆ Натисніть та утримуйте натиснутим затискний пристрій леза (10).
- ◆ Встановіть стрижень ріжучого полотна у тримач полотна (12) настільки, наскільки це можливо.
- ◆ Відпустіть затискний пристрій леза (10).

Зберігання ріжучого полотна (мал. С)

Пильне полотно (11) можна зберігати у відсіку для зберігання, що розташований на боковій стороні інструменту.

- ◆ Відкрийте кришку (3) відсіку для зберігання пильного полотна, утримуючи кнопку на верхній поверхні кришки (3) та штовхаючи від себе.
- ◆ Ріжучі полотна утримуються у відсіку за допомогою магнітної смуги. Щоб витягнути ріжуче полотно, натисніть на один кінець полотна, щоб підняти інший кінець та витягнути полотно.
- ◆ Закрийте кришку (3) відсіку для зберігання пильного полотна та переконайтесь, що вона заблокована.

Попередження! Надійно закрийте дверцята відсіку перед використанням ножівки.

Приєднання пирососу до інструменту (мал. D)

Необхідний адаптер для підключення пирососу або системи видалення пилу до інструменту. Адаптер пиловловлювання (6) можна придбати у вашого локального представника компанії Black & Decker.

- ◆ Вставте адаптер (6) в отвір пиловловлювання (5).
- ◆ Приєднайте шланг пирососу до адаптера (6).

Залишкові ризики

Додаткові залишкові ризики можуть виникнути при використанні інструменту, який не включено до наведених попереджень з техніки безпеки. Ці ризики можуть виникнути через невірне використання, тривале використання, тощо.

Незважаючи на виконання всіх відповідних правил техніки безпеки та використання пристроїв безпеки, неможливо уникнути деяких залишкових ризиків. Сюди належать:

- ◆ Травми через контакт з деталями, що рухаються/обертаються.
- ◆ Травми при заміні деталей, пильних полотен або аксесуарів.
- ◆ Травми через занадто тривале використання інструменту. При використанні будь-якого інструменту протягом тривалого періоду часу не забувайте робити регулярні перерви.
- ◆ Пошкодження слуху.
- ◆ небезпека для здоров'я через вдихання пилу, що утворюється при використанні інструменту (наприклад, при роботі з деревом, особливо з дубом, березою та ДВП).

Використання

Налаштування опорної пластини для зняття фаски (мал. E та F)

Попередження! Ніколи не використовуйте ножівку, коли її опорна пластина незакріплена або знята. Опорна пластина (7) може бути встановлена для лівого чи правого кута фаски до 45°.

- ◆ Перемістіть блокуючий важіль опорної пластини (4) від себе, щоб розблокувати опорну пластину (7) з позиції 0 градусів (мал. F).
- ◆ Потягніть опорну пластину (7) вперед та встановіть необхідний кут 15°, 30° та 45°, як вказано у вікні куту фаски.
- ◆ Перемістіть блокуючий важіль опорної пластини (4) у напрямку до ножівки, щоб зафіксувати опорну пластину (7).

Повторне налаштування опорної пластини (7) для різки під прямим кутом:

- ◆ Потягніть блокуючий важіль опорної пластини (4) від себе, щоб розблокувати опорну пластину (7).
- ◆ Встановіть опорну пластину (7) на кут 0° та потягніть опорну пластину назад.
- ◆ Перемістіть блокуючий важіль опорної пластини (4) у напрямку до ножівки, щоб зафіксувати опорну пластину (7).

Як використовувати селектор Auto Select™ (автоматичного вибору) (мал. G)

Цей інструмент оснащено унікальним селектором Auto Select™ (8), що дозволяє встановити швидкість та дію маятнікового ріжучого полотна для виконання різних розтинів. Щоб обрати оптимальну швидкість та дію маятнікового ріжучого полотна для відповідного типу матеріалу, що розтинається, поверніть селектор (8), як показано в таблиці нижче:

	Іконка	Застосування	Швидкість	Тип ріжучого полотна
		Робочі поверхні в кухні, робочі стільниці, ламінат	Висока швидкість	Для звичайного дерева
		Прокручування/криві/ вирізання невеликих виробів, тверда деревина, палубний матеріал, дошки для підлоги	Висока швидкість	Укручення в дерево Для звичайного дерева
		Клесна фанера та дерев'яні панелі	Висока швидкість	Для звичайного дерева
		Звичайні пильні матеріали, м'яка деревина, виконання швидких розтинів	Висока швидкість	Для звичайного дерева
		Пластик, "Перспекс", полівінілхлорид	Середня швидкість	Для загальних цілей
		Біла жерсть з листового металу, керамічна плитка, листи із скловолокна	Мала швидкість	Полотно для металу або кераміки або скловолокна
		Мала швидкість, точний старт	Повільна швидкість	Оберіть відповідне ріжуче полотно для своєї цілі

Вмикання та вимкнення

- ♦ Для ввімкнення інструменту натисніть перемикач ввімкнено/вимкнено (2).
- ♦ Щоб вимкнути інструмент, відпустіть перемикач вперед/назад (2).
- ♦ Для безперервної роботи натисніть кнопку блокування (1) та відпустіть перемикач вкл./вилк. (2).

- ♦ Для вимкнення інструменту під час безперервної роботи, натисніть перемикач ввик. / вимик. (2) та відпустіть його.

Розпилювання

Під час розпилювання тримайте інструмент міцно обома руками. Необхідно міцно притискати опорну пластину (7) до матеріалу,

що розпилюється. Це допоможе уникнути „стрибання“ пилки, зменшити вібрацію та мінімізувати можливість пошкодження ріжучого полотна.

- ◆ Полотно повинно спочатку просто попрацювати перед початком різання.
- ◆ Застосовуйте лише невеликий тиск при розпилюванні.

Використання лазера (мал. Н - К) (лише у моделях серії 'L')

Встановлення батарей (рис. Н)

Зніміть модуль лазера (14) з ножівки, відкрутивши гвинт (13) та потягнувши цей модуль вперед. Вставте дві нові лужні батареї AAA 1,5 Вольт, переконавшись, що полюси батарей відповідають (+) та (-). Знов встановіть модуль лазера (14).

Налаштування лазера бік у бік (мал. І)

Примітка: Лазер використовується в якості допоміжного засобу при розпилюванні та не гарантує точності розтину.

Попередження! Не налаштовуйте лазер, коли ножівка під'єднана до мережі живлення.

- ◆ Використовуйте гвинт налаштування лазера (15), щоб вирівняти лінію лазера по пильному полотну ножівки, якщо це необхідно.

Видимість лазера (потужність) буде меншою, якщо ножівка перегрівається. Лазер може стати невидимим, якщо ножівка перевантажена протягом довгого часу. Видимість лазера поступово повернеться до нормальної, коли інструмент охолоне, навіть якщо він відключений від мережі живлення.

Попередження! Не залишайте перегрітий лазер в положенні ВКЛ.

Переконайтесь, що перемикач встановлено в позицію ВИКЛ, та витягніть батарею, щоб лазер не мав енергії.

Використання лазера (мал. J та K)

Лазер проектує лінію розтину (18) на поверхню деталі.

- ◆ Щоб увімкнути лазер, натисніть кнопку (16).
- ◆ Щоб вимкнути лазер, натисніть кнопку (16) знову.

Дивлячись на лінію безпосередньо над ножівкою, можна легко стежити за лінією розтину (17). Якщо через якісь причини Ви погано бачите цю лінію, можна використовувати

лазер в якості альтернативної направляючої розрізу.

- ◆ Використовуйте олівець, щоб відмітити лінію розтину (17).
- ◆ Розмістіть ножівку над лінією (17).
- ◆ Ввімкніть лазер.

Використання освітлювача (мал. L та M) (лише у моделях серії ,W')

Моделі, що мають літеру ,W' в номері згідно каталогу, оснащені світлодіодом (19), що освітлює область навколо ріжучого полотна.

- ◆ Щоб ввімкнути освітлювач, перемістіть перемикач (20) в позицію (I).
- ◆ Щоб вимкнути освітлювач, перемістіть перемикач (20) в позицію (O).

Примітки для оптимального використання

Розпилення ламінату

При розпилюванні ламінату може виникнути розколювання, що пошкоджує зовнішню поверхню. Більшість пильних полотен ріжуть, рухаючись догори, тому якщо опорна пластина знаходиться на лицьовій стороні, то або використовуйте пильне полотно, що ріже, рухаючись донизу, або:

- ◆ Використовуйте ріжуче полотно з тонкими зубцями.
- ◆ Розпилюйте, починаючи з задньої поверхні матеріалу.
- ◆ Для зменшення розщеплення, прикріпіть шматки деревини чи твердої ДВП до обох сторін матеріалу та розпилюйте цей „сендвич“.

Розпилення металу

Зверніть увагу на те, що розпилення металу займає набагато більше часу, ніж розпилення деревини.

- ◆ Використовуйте ріжуче полотно, що підходить для розпилення металу.
- ◆ При розрізанні тонкого листового металу закріпіть шматки деревини на задню поверхню матеріалу та розпилюйте цей „сендвич“.
- ◆ Покрийте передбачену лінію розрізання шаром мастила.

Технічне обслуговування

Ваш інструмент виробництва компанії Black & Decker призначений для роботи протягом довгого часу з мінімальним обслуговуванням. Постійна задовільна

робота залежить від правильного догляду за інструментом та регулярної очистки.

- ♦ Регулярно очищуйте вентиляційні отвори інструменту, використовуючи м'яку щітку чи суху ганчірку.
- ♦ Регулярно очищуйте корпус мотору, використовуючи вологу ганчірку. Не використовуйте абразивні очищуючі засоби та засоби, що містять розчинники. Ніколи не дозволяйте будь-якій рідині потрапити всередину інструменту і ніколи не занурюйте деталі інструменту в рідину.

Заміна шнура живлення (тільки для Великобританії та Ірландії)

Якщо нові шнури живлення мають бути прилаштовані:

- ♦ Зніміть стару вилку, дотримуючись техніки безпеки.
- ♦ Приєднайте коричневий провідник до активного виходу вилки.
- ♦ Підключіть синій кабель до нейтральної клеми.

Попередження! Жоден провідник повинен бути підключений до клеми заземлення. Дотримуйтесь інструкцій щодо налаштування, що поставляються з якісними вилками. Плавкий запобіжник, що рекомендується: 5 А.

Захист навколишнього середовища



Окреме збирання. Цей виріб не має викидатися на смітник із звичайним побутовим сміттям.

Якщо якимось Ви вирішите, що ваш виріб фірми Black & Decker має бути замінено, або він Вам більше не потрібний, не викидайте його на смітник побутового сміття. Зробіть цей виріб доступним для окремого збору.



Збір використаних продуктів та упаковки в окремі контейнери дозволяє переробляти матеріали та використовувати їх вдруге. Повторна переробка матеріалів допомагає попередити забруднення навколишнього середовища та зменшує потребу в сировині.

Місцеві законодавчі акти можуть передбачати окремий збір електричного обладнання в муніципальних місцях для збору сміття або продавцями при покупці нового обладнання.

Компанія Black & Decker має можливість для збору та переробки продуктів власного виробництва після закінчення їхнього терміну служби. Щоб скористатися цією послугою, поверніть виріб компанії в офіційний сервісний центр, які збирають відпрацьовані продукти за наш рахунок.

Ви можете знайти місцезнаходження найближчого до Вас сервісного центру, зв'язавшись з місцевим офісом компанії Black & Decker за адресою, вказаною в цих інструкціях. Крім того, список офіційних сервісних центрів компанії Black & Decker з усіма подробицями нашого післяпродажного обслуговування та контактною інформацією міститься в Інтернеті за адресою:

www.2helpU.com.

Батареї



В кінці їхнього строку служби викиньте батареї, не забуваючи про навколишнє середовище:

- ♦ Не змикайте контакти батареї.
- ♦ Не викидайте батареї у вогонь, це може призвести до травми або вибуху.

Технічні дані

	KS800S	KS800SL	ТИП 1
Напруга	Вас	230	
Номинальна потужність	Вт	520	
Швидкість без навантаження	хв ⁻¹	800-3000	
Максимальна глибина розпилення			
Дерево	мм	70	
Сталь	мм	5	
Алюміній	мм	15	
Вага	кг	2,2	

Рівень звукового тиску згідно з EN 60745:
Звуковий тиск (L_{pA}) 89 дБ (А), погіршність (К) 3 дБ (А), Звукова потужність (L_{WA}) 100 дБ (А), погіршність (К) 3 дБ (А)

Загальні значення вібрації (векторна сума трьох векторів) згідно з EN 60745:

Розрізання деревини ($a_{h,CW}$) 6,0 м/с², погіршність (К) 1,5 м/с², Різання металу ($a_{h,CM}$) 6,5 м/с², погіршність (К) 1,5 м/с²

**Заява про відповідність ЄС
ДИРЕКТИВА ДЛЯ МЕХАНІЧНОГО
ОБЛАДНАННЯ**



KS800S, KS800SL

Компанія Black & Decker заявляє, що продукти,
описані в розділі „Технічні дані“ відповідають:
2006/42/EC, EN60745-1, EN60745-2-11

Ці продукти також відповідають Директиві
2004/108/EC і 2011/65/EU.

Для отримання додаткової інформації, будь
ласка, зверніться до компанії Black & Decker за
наступною адресою або прочитайте інформацію
на зворотній стороні цього керівництва.

Нижчепідписаний несе відповідальність за
упорядкування файлу технічних характеристик
та робить цю заяву від компанії Black & Decker

Кевін Хьюїт (Kevin Hewitt)
Віце-президент
з глобальних розробок
Black & Decker Europe,
210 Bath Road, Slough,
Berkshire, SL1 3YD, Великобританія
23-04-2012

БЛЕК ЕНД ДЕККЕР

гарантійні умови

Шановний покупцю!

1. Вітаємо Вас з покупкою високоякісного виробу компанії Black & Decker та висловлюємо Вам свою вдячність за Ваш вибір.
- 1.1. Надійна робота цього виробу на протязі всього терміну експлуатації є предметом особливої турботи наших сервісних служб. У випадку виникнення будь-яких проблем в процесі експлуатації виробу ми рекомендуємо Вам звертатися лише до авторизованих сервісних організацій, адреси та телефони яких Ви зможете знайти в Гарантійному талоні або дізнатися в магазині.
Наші сервісні центри – це не тільки кваліфікований ремонт, але і широкий вибір запчастин та аксесуарів.
- 1.2. При купівлі виробу вимагайте перевірки його комплектності та справності за Вашої присутності, наявності інструкції з експлуатації та заповненого Гарантійного талону на українській мові. За умови відсутності у Вас правильно заповненого Гарантійного талону ми будемо вимушені відхилити Ваші претензії щодо якості цього виробу.
- 1.3. Щоб уникнути всіх непорозумінь наполегливо просимо Вас перед початком роботи з виробом уважно ознайомитись з інструкцією щодо його експлуатації.
- 1.4. Звертаємо Вашу увагу на виключно побутове призначення цього виробу.
2. Правовою основою даних гарантійних умов є діюче Законодавство та, зокрема, Закон "Про захист прав споживачів".
3. Гарантійний термін на даний виріб складає 24 місяці та починається з дня продажу через роздрібну торгову мережу. У випадку усунення недоліків виробу гарантійний термін подовжується на період, протягом якого виріб не використовувався.
4. Термін служби виробу - 5 років (мінімальний, встановлений у відповідності до Закону "Про захист прав споживачів").
5. Наші гарантійні зобов'язання поширюються тільки на несправності, виявлені протягом гарантійного терміну та обумовлені виробничими та конструктивними факторами.
6. Гарантійні зобов'язання не поширюються:
- 6.1. На несправності виробу, що виникли в результаті:
 - 6.1.1. Недотримання користувачем вказівок інструкції з експлуатації виробу.
 - 6.1.2. Механічних пошкоджень, викликаних зовнішнім ударним або іншим впливом.
 - 6.1.3. Використання виробу в професійних цілях та об'ємах, в комерційних цілях.
 - 6.1.4. Застосування виробу не за призначенням.
 - 6.1.5. Стихійного лиха.

- 6.1.6. Неприятливому атмосферному та інших зовнішніх впливах на виріб, таких як дощ, сніг, підвищена вологість, нагрів, агресивні середовища, невідповідність параметрів електромережі параметрам, вказаним на інструменті.
- 6.1.7. Використання аксесуарів, витратних матеріалів та запчастин, які не рекомендовані або не схвалені виробником.
- 6.1.8. Проникнення всередину інструменту сторонніх предметів, комах, матеріалів або речовин, що не є відходами, які супроводжують використання інструменту за призначенням, наприклад, стружки, опилки та ін.
- 6.2. На інструменти, що були відкриті, піддані ремонту або модифікації поза уповноваженим сервісним центром.
- 6.3. На приналежності, запчастини, що вийшли з ладу внаслідок нормального зносу, та витратні матеріали, такі як, приводні ремені, вугільні щітки, ножі, та ін.
- 6.4. На несправності, які виникли в результаті переважаності інструменту, що призвело до виходу з ладу електродвигуна або інших вузлів та деталей. До безумовних ознак переважаності виробу належать, зокрема: поява кольорів мінливості, деформація або оплавлення деталей та вузлів виробу, потемніння або обвуглювання ізоляції дротів електродвигуна під впливом високої температури.



Виробник:

"Stanley Black & Decker Deutschland GmbH" Black-&-Decker Str.40, D-65510 Idstein, Німеччина

Kullanım amacı

Black & Decker dekupaj testereniz ahşap, plastik ve metal kesimi için tasarlanmıştır. Bu alet sadece hafif hizmet ve hobi kullanımına yöneliktir.

Genel güvenlik kuralları



Uyarı! Bütün güvenlik uyarılarını ve talimatlarını mutlaka okuyun. Bu talimatların herhangi birisine uyulmaması elektrik çarpması, yangın ve/veya ciddi yaralanma riskine neden olabilir.

Bütün uyarı ve güvenlik talimatlarını ileride bakmak üzere muhafaza edin. Aşağıda yer alan uyarılardaki "elektrikli alet" terimi şebeke elektrikle (kablolu) veya akü/pille (şarjlı) çalışan elektrikli aletinizi ifade etmektedir.

1. Çalışma alanının güvenliği

- Çalışma alanını temiz ve aydınlık tutun.** Karışık ve karanlık alanlar kazaya davetiye çıkarır.
- Elektrikli aletleri, yanıcı sıvılar, gazlar ve tozların bulunduğu yerler gibi yanıcı ortamlarda çalıştırmayın.** Elektrikli aletler, toz veya dumanları ateşleyebilecek kıvılcımlar çıkarır.
- Bir elektrikli aleti çalıştırırken çocuklardan ve etraftaki kişilerden uzak tutun.** Dikkatinizi dağıtıcı şeyler kontrolü kaybetmenize neden olabilir.

2. Elektrik güvenliği

- Elektrikli aletlerin fişleri prizlere uygun olmalıdır. Fiş üzerinde kesinlikle hiçbir değişiklik yapmayın. Topraklı elektrikli aletlerde hiçbir adaptör fişi kullanmayın.** Değiştirilmemiş fişler ve uygun prizler elektrik çarpması riskini azaltacaktır.
- Borular, radyatörler, ocaklar ve buzdolapları gibi topraklanmamış yüzeylerle vücut temasından kaçının.** Vücudunuzun topraklanması halinde yüksek bir elektrik çarpması riski vardır.
- Elektrikli aletleri yağmura maruz bırakmayın veya ıslatmayın.** Elektrikli alete su girmesi elektrik çarpması riskini arttıracaktır.
- Elektrik kablosunu uygun olmayan amaçlarla kullanmayın. Elektrikli aleti kesinlikle kablosundan tutarak taşımayın, çekmeyin veya prizden çıkartmayın.** Kabloyu sıcaktan, yağdan, keskin kenarlardan veya hareketli parçalardan uzak tutun. Hasarlı veya dolaşmış kablolar elektrik çarpması riskini artırır.

e. Elektrikli bir aleti açık havada

çalıştırıyorsanız, açık havada kullanıma uygun bir uzatma kablosu kullanın.

Açık havada kullanıma uygun bir kablunun kullanılması elektrik çarpması riskini azaltır.

f. Eğer bir elektrikli aletin nemli bir bölgede

çalıştırılması zorunluysa, bir artık akım aygıtı (RCD) korumalı bir kaynak kullanın.

Bir RCD kullanılması elektrik şoku riskini azaltır.

3. Kişisel güvenlik

- Elektrikli bir aleti kullanırken her zaman dikkatli olun, yaptığınız işe yoğunlaşın ve sağduyulu davranın. Elektrikli bir aleti yorgunken veya ilaç ya da alkolün etkisi altındayken kullanmayın.** Elektrikli aletleri kullanırken bir anlık dikkatsizlik ciddi kişisel yaralanmayla sonuçlanabilir.
- Kişisel koruyucu ekipmanları mutlaka kullanın. Daima koruyucu gözlük takın.** Koşullara uygun toz maskesi, kaymayan güvenlik ayakkabıları, baret veya kulaklık gibi koruyucu donanımların kullanılması kişisel yaralanmaları azaltacaktır.
- İstem dışı çalıştırılmasını önleyin. Cihazı güç kaynağına ve/veya aküye bağlamadan, yerden kaldırmadan veya taşımadan önce düğmenin kapalı konumda olduğundan emin olun.** Aleti, parmağınız düğme üzerinde bulunacak şekilde taşımak veya açık konumdaki elektrikli aletleri elektrik şebekesine bağlamak kazaya davetiye çıkarır.
- Elektrikli aleti açmadan önce tüm ayarlama anahtarlarını çıkartın.** Elektrikli aletin hareketli bir parçasına takılı kalmış bir anahtar kişisel yaralanmaya neden olabilir.
- Ulaşmakta zorlandığınız yerlerde kullanmayın. Daima sağlam ve dengeli basın.** Bu, beklenmedik durumlarda elektrikli aletin daha iyi kontrol edilmesine olanak tanır.
- Uygun şekilde giyinin. Bol elbiseler giymeyin ve takı takmayın. Saçınızı, elbiselerinizi ve eldivenlerinizi hareketli parçalardan uzak tutun.** Bol elbiseler ve takılar veya uzun saç hareketli parçalara takılabilir.
- Eğer kullandığınız üründe toz emme ve toplama özellikleri olan ataşmanlar varsa bunların bağlı olduğundan ve doğru şekilde kullanıldığından emin olun.** Bu ataşmanların kullanılması tozla ilgili tehlikeleri azaltabilir.

4. Elektrikli aletlerin kullanımı ve bakımı

- Elektrikli aleti zorlamayın. Uygulamanız için doğru elektrikli aleti kullanın.** Doğru elektrikli alet, belirlendiği kapasite ayarında kullanıldığında daha iyi ve güvenli çalışacaktır.
- Düğme açmıyor ve kapatmıyorsa elektrikli aleti kullanmayın.** Düğmeyle kontrol edilemeyen tüm elektrikli aletler tehlikelidir ve tamir edilmesi gerekmektedir.
- Herhangi bir ayarlama, aksesuar değişimi veya elektrikli aletlerin saklanması öncesinde fişi güç kaynağından çekin ve/veya aküyü elektrikli aletten ayırın.** Bu tür önleyici güvenlik tedbirleri aletin istem dışı olarak çalıştırılması riskini azaltacaktır.
- Elektrikli aleti, çocukların ulaşamayacağı yerlerde saklayın ve elektrikli aleti tanımayan veya bu talimatları bilmeyen kişilerin elektrikli aleti kullanmasına izin vermeyin.** Elektrikli aletler, eğitimsiz kullanıcıların elinde tehlikelidir.
- Elektrikli aletleri iyi durumda muhafaza edin. Hareketli parçalardaki hizalama hatalarını ve tutuklukları, parçalardaki kırılmalar ve elektrikli aletin çalışmasını etkileyebilecek tüm diğer koşulları kontrol edin. Hasarlı ise, elektrikli aleti kullanmadan önce tamir ettirin.** Kazaların çoğu, elektrikli aletlerin bakımının yeterli şekilde yapılmamasından kaynaklanır.
- Kesim aletlerini keskin ve temiz tutun.** Bakımı uygun şekilde yapılmış keskin kesim uçlu kesim aletlerinin sıkışma ihtimali daha düşüktür ve kontrol edilmesi daha kolaydır.
- Elektrikli aleti, aksesuarlarını ve aletin diğer parçalarını kullanırken bu talimatlara mutlaka uyun ve çalışma ortamının koşullarını ve yapılacak işin ne olduğunu göz önünde bulundurun.** Elektrikli aletin öngörülen işlemler dışındaki işlemler için kullanılması tehlikeli durumlara neden olabilir.
- Servis**
 - Elektrikli aletinizi, sadece orijinal yedek parçaların kullanıldığı yetkili Black & Decker servisine tamir ettirin.** Bu, elektrikli aletin güvenliğinin muhafaza edilmesini sağlayacaktır.

Elektrikli el aletleri için ek güvenlik talimatları



Uyarı! Dekupaj testereleri için ek güvenlik talimatları.

- ◆ **Kesim aletinin gizli kablolarına veya kendi kablosuna temas edebileceği yerlerde çalışma yaparken aleti yalıtımlı kavrama yüzeylerinden tutun.** “Akım taşıyan” bir tele temas edilmesi durumunda, aletin metal kısımları “akım taşıyıcı” hale gelebilir ve kullanıcının çarpılmasına yol açabilir.
 - ◆ **Üzerinde çalıştığınız parçayı sabitlemek ve desteklemek için kelepçeler veya başka pratik yöntemler kullanın.** Parçayı elle tutmanız veya vücudunuza dayamanız dengesiz durmasına neden olup, aletin kontrolünü kaybetmenize yol açabilir.
 - ◆ **Ellerinizi kesim alanından uzak tutun.** Çalıştığınız parçanın altına hiçbir nedenle uzanmayın. Hareket eden bıçak ve bıçak mandalının yakınına parmaklarınızı veya başparmağınızı sokmayın. Testereyi tabanından tutarak dengelemeye çalışmayın.
 - ◆ **Bıçakları keskin durumda muhafaza edin.** Körelmiş veya hasarlı bıçaklar testerenin basınç altında başka bir yöne fırlamasına veya sıkışmasına neden olabilir. Her zaman, üzerinde çalışılan malzeme ve kesim tipine uygun tipte testere bıçağı kullanın.
 - ◆ **Boru veya kanal keserken içlerinden su, elektrik kablosu vb. geçmediğinden emin olun.**
 - ◆ **Aletle çalışmanız bittikten hemen sonra üzerinde çalıştığınız parçaya dokunmayın.** Çok sıcak olabilirler.
 - ◆ **Duvarlarda, zeminlerde veya tavanlarda kesim yapmadan önce gizli tehlikelere karşı dikkatli olun; kablo ve boruların yerlerini kontrol edin.**
 - ◆ **Bıçak, tetik bırakıldıktan sonra da hareket etmeye devam edecektir.** Aleti yere bırakmadan önce daima kapatın ve testere bıçağının tamamen durmasını bekleyin.
- Uyarı!** Kesim uygulamaları nedeniyle açığa çıkan tozla temas, operatörün ve çevrede bulunanların sağlığını tehlikeye atabilir. Toz ve dumanlara karşı korunma için özel olarak tasarlanmış bir toz maskesi kullanın ve çalışma alanına giren veya bu alanda bulunan kişilerin de korunduğundan emin olun.
- ◆ Bu aletin kullanım amacı bu kılavuzda belirtilmiştir. Herhangi bir aksesuarın veya bağlantının ya da işlemin, bu kılavuzda tavsiye edilen şekilden başka bir şekilde kullanılması şahısların yaralanmalarına ve/veya mal kaybına yol açabilir.

Diğer kişilerin güvenliği

- ◆ Bu alet fiziksel ve zihinsel kapasitesinin yanı sıra algılama gücü azalmış olan veya yeterince deneyim ve bilgisi bulunmayan kişiler (çocuklar dahil) tarafından kullanılmak üzere üretilmemiştir. Bu tür kişiler aleti ancak güvenliklerinden sorumlu bir kişi tarafından cihazın kullanımıyla ilgili talimatların verilmesi veya sürekli kontrol altında tutulması durumunda kullanabilir.
- ◆ Çocuklar, aletle oynamalarını önlemek amacıyla kontrol altında tutulmalıdır.

Titreşim

Teknik veriler ve uygunluk beyanati içerisinde belirtilen titreşim emisyon değerleri EN60745 tarafından belirlenen standart bir test yöntemine uygun olarak ölçülmektedir ve diğer bir aletle karşılaştırma yaparken kullanılabilir. Beyan edilen titreşim emisyon değeri aynı zamanda maruz kalmanın önceden değerlendirilmesinde de kullanılabilir.

Uyarı! Elektrikli aletin mevcut kullanımı sırasındaki titreşim emisyon değeri, aletin kullanım yöntemine bağlı olarak, beyan edilen değere göre farklılık sergileyebilir. Titreşim düzeyi belirlenen seviyenin üzerinde artış gösterebilir.

İşyerinde düzenli olarak elektrikli alet kullanan çalışanları korumak amacıyla 2002/44/EC tarafından getirilen elektrik güvenliği önlemlerini belirlemek üzere titreşime maruz kalmayı değerlendiren, çalışma döngüsü içerisinde örneğin aletin kapalı olduğu ve aktif durumda olmasının yanı sıra boşta çalıştığı zamanlar gibi, bütün zaman dilimleri dahil olmak üzere mevcut kullanım durumu ve aletin kullanım şekli göz önünde bulundurularak değerlendirilmelidir.

Alet üzerindeki etiketler

Uyarı! Yaralanma riskini en aza indirmek için kullanıcı kullanım talimatlarını mutlaka okumalıdır.

Elektrik güvenliği

Bu alet çift yalıtımlıdır; bu nedenle hiçbir toprak kablosuna gerek yoktur. Her zaman şebeke geriliminin aletin üretim etiketinde belirlenmiş değerlere uygun olup olmadığını kontrol edin.

- ◆ Elektrik kablosu hasarlı ise, bir tehlike oluşmasını önlemek için üretici ya da

yetkili Black & Decker servisi tarafından değiştirilmelidir.

Şarj edileme özelliği olmayan piller için ek güvenlik talimatları

- ◆ Kesinlikle, herhangi bir nedenle açmaya çalışmayın.
- ◆ Sıcaklığın 40 °C'yi aşabileceği yerlerde saklamayın.
- ◆ Pilleri atarken, "Çevrenin korunması" başlıklı bölümdeki talimatlara uyun.

Pilleri ateşe atmayın.

- ◆ Sıra dışı koşullarda pil akabilir. Pilin yüzeyinde ıslak yerler gördüğünüzde aşağıda belirtilenleri yapın:

- Sıvıyı bir bez kullanarak dikkatli bir şekilde silin. Ciltle temasından kaçınınız.

Lazerler için ek güvenlik talimatları

Bu kılavuzu dikkatlice okuyun.



Bu ürün, 16 yaşından küçük çocuklar tarafından kullanılmamalıdır.



Lazer ışınımı.



Lazer ışınının içine bakmayın.



Lazer ışınına görmek için optik aletler kullanmayın.

- ◆ Bu lazer, EN60825-1:2007 uyarınca 2. sınıfa uygundur. Lazer diyodunu başka tipte bir diyotla değiştirmeyin. Lazerin hasar görmesi halinde, lazerin onarımını yetkili bir servise yaptırın.
- ◆ Lazeri, lazer çizgileri yansıtmak dışında bir amaç için kullanmayın.
- ◆ Gözün, sınıf 2 lazer huzmesine maruz kalması maksimum 0,25 saniye süreyle güvenli kabul edilmektedir. Göz kapağı refleksleri normalde yeterli koruma sağlayacaktır. 1 metrenin üzerindeki mesafelerde, lazer, sınıf 1'le uyumlu hale gelir ve tümüyle güvenli kabul edilir.
- ◆ Kesinlikle doğrudan ve bilinçli olarak lazer ışınına bakmayın.
- ◆ Lazer ışınına görmek için optik aletler kullanmayın.
- ◆ Aleti, lazer ışınının herhangi bir kişinin baş hizasından geçebileceği bir konumda kurmayın.
- ◆ Çocukların lazere yaklaşmasına izin vermeyin.

Özellikler

1. Kesintisiz çalıştırma düğmesi
2. Açma/kapama düğmesi
3. Testere bıçağı saklama bölümü kapağı
4. Testere tabanı kilitleme kolu
5. Toz atma çıkışı
6. Toz atma adaptörü
7. Testere tabanı
8. Auto Select™ kadranı
9. Bıçak destek silindiri
10. Anahtarsız bıçak değiştirme

Ek özellikler (Şekil A)

Satın aldığınız ürüne bağlı olarak ek özellikler mevcut olabilir. Satın almış olduğunuz ürünün katalog numarasına ait ek özellikler şekil A'da gösterilmektedir.

Montaj

Uyarı! Aşağıdaki işlemlerden herhangi birini gerçekleştirmeden önce, aletin kapalı ve fişinin çekili olduğundan ve testere bıçağının durduğundan emin olun. Kullanılmış testere bıçakları sıcak olabilir.

Testere bıçağının takılması (Şekil B)

- ◆ Testere bıçağını (11) şekilde gösterildiği gibi dişleri dışarı bakacak şekilde tutun.
- ◆ Bıçak mandalına (10) bastırın ve basılı tutun.
- ◆ Testere bıçağının sap kısmını bıçak yuvasına (12) gittiği kadar sokun.
- ◆ Bıçak mandalını (10) serbest bırakın.

Testere bıçağının saklanması (Şekil C)

Testere bıçakları (11) aletin yan kısmındaki saklama bölümünde saklanabilir.

- ◆ Kapağın (3) üstündeki tırnağı tutup dışarı çekerek testere bıçağı saklama bölümünün kapağını (3) açın.
- ◆ Bıçaklar bölmede manyetik bir şeritle tutulur. Bir bıçağı çıkartmak için, bıçağın bir ucunu aşağıya doğru bastırarak bıçağı yukarı kaldırın ve çıkartın.
- ◆ Testere bıçağı saklama bölümünün kapağını (3) kapatın ve mandalının kapandığından emin olun.

Uyarı! Testereyi çalıştırmadan önce bölmenin kapağını tam olarak kapatın.

Alete bir elektrikli süpürge bağlanması (Şekil D)

Alete elektrikli süpürge veya toz emici cihaz bağlamak için bir adaptör gereklidir. Bu toz atma adaptörünü (6), size en yakın Black & Decker satış noktasından temin edebilirsiniz.

- ◆ Adaptörü (6) toz atma çıkışının (5) içine itin.
- ◆ Elektrikli süpürge hortumunu adaptöre (6) bağlayın.

Diğer tehlikeler

Aletin kullanımıyla ilgili ekte sunulan güvenlik uyarılarına dahil olmayan ilave kalıcı riskler ortaya çıkabilir. Bu riskler, hatalı, uzun süreli kullanım vb. dolayısıyla ortaya çıkabilir.

Emniyet tedbirlerini düzenleyen yönetmeliğin uygulanmasına ve emniyet sağlayıcı aygıtların kullanılmasına rağmen, başka belirli risklerden kaçınılamaz. Bunlar:

- ◆ Aletin dönen ve hareket eden parçalarına dokunma sonucu ortaya çıkan yaralanmalar.
- ◆ Herhangi bir parçayı, bıçak veya aksesuarı değiştirirken ortaya çıkan yaralanmalar.
- ◆ Aletin uzun süreli kullanılması sonucu ortaya çıkan yaralanmalar. Herhangi bir aleti uzun sürelerle kullanacaksanız düzenli olarak çalışmanıza ara verin.
- ◆ Duyma bozukluğu.
- ◆ Aleti kullanırken ortaya çıkan tozun solunması sonucu ortaya çıkan sağlık sorunları (örnek: ahşapta çalışırken, özellikle meşe, akgürge ve MDF).

Kullanımı

Açılı kesimler için testere tabanının ayarlanması (Şekil E ve F)

Uyarı! Aleti, testere tabanı gevşek veya çıkartılmışken kesinlikle kullanmayın.

Testere tabanı (7) 45°'ye kadar sol veya sağa eğimli açılara ayarlanabilir.

- ◆ Testere tabanını (7) 0 derece konumundan açmak için testere tabanı kilitleme kolunu (4) çekin (Şekil F).
- ◆ Testere tabanını (7) ileriye doğru çekin ve gereken açığı, açılı penceresinde belirtildiği şekilde 15°, 30° ve 45° olarak ayarlayın.
- ◆ Testere tabanını (7) kilitlemek için testere tabanı kilitleme kolunu (4) yeniden testereye doğru ittirin.

Testere tabanını (7) düz kesimlere göre sıfırlamak için:

- ◆ Testere tabanının (7) kilidini açmak için, testere tabanı kilitleme kolunu (4) çekin.
- ◆ Testere tabanını (7) 0° derecelik bir açığa ayarlayın ve testere tabanını geriye ittirin.
- ◆ Testere tabanını (7) kilitlemek için testere tabanı kilitleme kolunu (4) yeniden testereye doğru ittirin.

Auto Select™ kadranı nasıl kullanılır (Şekil G)

Çeşitli kesme uygulamalarında hızı ve bıçak pandül hareketini ayarlaması için bu alette benzersiz bir Auto Select™ Kadranı (8) bulunmaktadır. Kesilen malzemeye en uygun hız ve pandül hareketini seçmek için kadranı (8) aşağıdaki tabloda gösterildiği şekilde çevirin:

	Simge	Uygulama	Hız	Bıçak tipi
		Mutfak tezgah yüzeyleri, tablalar, laminat tezgahlar	Hızlı devir	Genel ahşap
		Kıvrımlı kesme/ eğimli kesme/ ince işlemler, sert ahşaplar, kenar döşemesi, zemin döşemesi	Hızlı devir	Kıvrımlı ahşap Genel ahşap
		Kontrplak ve ahşap paneller	Hızlı devir	Genel ahşap
		Kereste, yumuşak ahşap, hızlı kaba kesme	Hızlı devir	Genel ahşap
		Plastik, Pleksiglas, PVC	Orta düzeyli devir	Genel amaçlı
		Sac plakası, seramik fayans, fibreglas plakası	Düşük devir	Metal veya seramik veya fibreglas bıçak
		Düşük devir, hassas çalıştırma	Düşük devir	Uygulama için doğru bıçağı seçin

Açılması ve kapatılması

- ◆ Aleti açmak için, değişken hız ayarlı açma/kapama düğmesine (2) basın.
- ◆ Aleti kapatmak için, değişken hız ayarlı açma/kapama düğmesini (2) bırakın.
- ◆ Sürekli çalışması için kesintisiz çalıştırma düğmesine (1) basın ve açma/kapama (2) düğmesini bırakın.
- ◆ Kesintisiz çalışma konumundayken aleti kapatmak için açma/kapama düğmesine (2) basın ve serbest bırakın.

Kesme

Kesim sırasında aleti iki elinizle sıkıca tutun. Testere tabanı (7), kesilen malzemeye sıkıca dayanmalıdır. Bu, testerenin sıçramasını önleyecek, titreşimi azaltacak ve bıçağın kırılma olasılığını en aza indirecektir.

- ◆ Kesme işlemine başlamadan önce bıçağın bir kaç saniye boşa dönmesine izin verin.
- ◆ Kesme işlemi sırasında alete yalnızca hafif bir baskı uygulayın.

Lazerin çalıştırılması (Şekil H - K) (sadece 'L' modelleri)**Pillerin takılması (Şekil H)**

Vidayı (13) çıkarıp lazer modülünü (14) öne doğru çekerek, dekapaj testeresinden ayırın. İki adet yeni 1,5 Volt AAA alkali pilini (+) ve (-) terminalerinin doğru eşleştiğinden emin olarak takın. Lazer modülünü yeniden takın (14).

Lazerin testere bıçağı kesim hattına ayarlanması (Şekil I)

Not: Lazer kesime yardımcı olmak amacıyla üretilmiştir ve hassas bir kesimi garanti etmez.

TÜRKÇE

Uyarı! Lazeri, dekupaj testeresi fişi takılıyken ayarlamaya çalışmayın.

- ◆ Lazer çizgisini testere bıçağı ile hizalamak için gerekirse lazer ayarlama vidasını (15) kullanın.

Lazer görünürlüğü (gücü), testerenin aşırı ısınması halinde azalacaktır. Testerenin uzun bir süre boyunca aşırı ısıtılması halinde lazer görünür olmayabilir. Lazer görünürlüğü, alet soğutulduğunda, fişi takılı olmasa dahi aşamalı olarak normale dönecektir.

Uyarı! Aşırı ısınmış lazere AÇIK bırakmayın. Lazer açma/kapama düğmesinin KAPALI konumunda olduğundan emin olun ve lazere güç gidizini kesmek için pilleri çıkarın.

Lazer kullanılması (Şekil J ve K)

Lazer, kesim hattını (18) iş parçasının yüzeyine yansıtır.

- ◆ Lazeri açmak için, düğmeye (16) basın.
- ◆ Lazeri kapamak için, düğmeye (16) tekrar basın.

Dekupaj testeresinin tam üzerinden bakarak kesim hattı (17) kolayca izlenebilir. Görüşün herhangi bir nedenden ötürü kısıtlanması halinde, lazer alternatif kesim kılavuzu olarak kullanılabilir.

- ◆ Bir kurşun kalemle kesim hattını (17) çizin.
- ◆ Dekupaj testeresini hattın (17) üzerine yerleştirin.
- ◆ Lazeri açın.

Aydınlatma lambasının çalıştırılması (Şekil L ve M) (sadece 'W' modelleri)

Katalog numarasında bir 'W' harfi bulunan modellerde bıçağın etrafındaki bölgeyi aydınlatmak için bir LED lamba (19) bulunmaktadır.

- ◆ Aydınlatma lambasını açmak için, anahtarı (20) açma konumuna (I) getirin.
- ◆ Aydınlatma lambasını kapatmak için, anahtarı (20) kapatma konumuna (0) getirin.

Yararlı tavsiyeler

Laminatların kesilmesi

Lamine yüzeyleri keserken, malzemenin laminat kaplı yüzeyinde kırılmalara yol açabilecek parçalanmalar meydana gelebilir. Testere bıçaklarının çoğu yukarıya doğru hareket ederken kestiği için, testere tabanı, malzemenin görünen yüzeyine yerleştirilerek kesim yapıldığı hallerde ya aşağı yönde kesen bir testere bıçağı kullanın ya da:

- ◆ Hassas kesim bıçağı kullanın.
- ◆ Üzerinde çalıştığınız parçanın arka yüzünden kesin.

- ◆ Kıymıksız, temiz kesimler elde etmek için kesilen malzemenin her iki yüzeyine de bir parça kontrplak veya sert tahta parçaları yerleştirin ve kesim işlemini bu şekilde yapın.

Metal kesme

Metal kesiminin ahşap kesiminden çok daha fazla zaman aldığını unutmayın.

- ◆ Metal kesmeye uygun bir testere bıçağı kullanın.
- ◆ Metal sac plaka keserken üzerinde çalıştığınız parçanın her iki yüzüne bir parça takoz sıkıştırın ve oluşan bloğun içinden kesin.
- ◆ Öngördüğünüz kesim hattı boyunca bir kat yağ sürün.

Bakım

Black & Decker aletiniz minimum bakımla uzun bir süre çalışacak şekilde tasarlanmıştır.

Kesintisiz olarak memnuniyet verici bir şekilde çalışması, gerekli özenin gösterilmesine ve düzenli temizliğe bağlıdır.

- ◆ Aletinizdeki havalandırma deliklerini yumuşak bir fırça veya kuru bir bezle düzenli olarak temizleyin.
- ◆ Motor muhafazasını nemli bir bezle düzenli olarak temizleyin. Aşındırıcı veya çözücü bazlı temizlik maddeleri kullanmayın. Aletin içine sıvı kaçmasına kesinlikle izin vermeyin ve aletin hiçbir parçasını kesinlikle sıvıya batırmayın.

Çevrenin korunması



Ayrı olarak atın. Bu ürün, normal evsel atıklarla birlikte atılmamalıdır.

Aletinizin değiştirilmesi gerektiğini veya artık sizin için faydalı olmadığını düşündüğünüzde çevreyi korumayı aklınızdan çıkarmayın. Black & Decker yetkili servisleri eski Black & Decker aletlerini teslim alacak ve çevreye herhangi bir zarar vermeyecek şekilde yok edeceklerdir.



Kullanılmış ürünlerin ve ambalajların ayrı olarak toplanması bu maddelerin geri dönüşüme sokularak yeniden kullanılmasına olanak tanır. Geri dönüşümlü maddelerin tekrar kullanılmasını çevre kirliliğinin önlenmesine yardımcı olur ve ham madde ihtiyacını azaltır.

Yerel yönetmelikler, elektrikli ürünlerin evlerden toplanıp belediye atık tesislerine aktarılması veya yeni bir ürün satın alırken perakende satıcı tarafından toplanması yönünde hükümler içerebilir.

Black & Decker, hizmet ömrünün sonuna ulaşan Black & Decker ürünlerinin toplanması ve geri dönüşüme sokulması için bir imkan sunmaktadır. Bu hizmetin avantajlarından faydalanmak için, lütfen, ürününüzü bizim adımıza teslim alacak herhangi bir yetkili onarım acentesine iade edin.

Bu kılavuzda belirtilen listeden size en yakın yetkili tamir servisinin yerini öğrenebilirsiniz. Ya da, alternatif olarak internet'ten Black & Decker yetkili tamir servislerinin listesini ve satış sonrası hizmetlerimizle ilgili tüm bilgiler ve temas bilgilerine aşağıdaki siteden ulaşabilirsiniz.

www.2helpU.com

Piller



Hizmet ömürlerinin sonunda, pilleri çevremize gerekli özeni göstererek atın:

- ♦ PİL terminallerini kısa devre yapmayın.
- ♦ PİL (pilleri) ateşe atmayın, kişisel yaralanma ya da patlama riskine neden olabilir.

Teknik veriler

	KS800S	KS800SL	TYPE 1
Voltaj	Vac	230	
Giriş gücü	W	520	
Yüksüz hızı	dev/dak	800-3000	
Maks. kesme derinliği			
Ahşap	mm	70	
Çelik	mm	5	
Alüminyum	mm	15	
Ağırlık	kg	2,2	

EN 60745'e göre ses basıncı düzeyi:
Ses basıncı (L_{PA}) 89 dB(A), belirsizlik (K) 3 dB(A)
Akustik güç (L_{WA}) 100 dB(A), belirsizlik (K) 3 dB(A)

EN 60745'e göre tespit edilen toplam titreşim değerleri (üç yönün vektör toplamı):
Ahşap kesimi ($a_{h, CW}$) 6 m/s², belirsizlik (K) 1,5 m/s²,
Metal kesimi ($a_{h, CM}$) 6,5 m/s², belirsizlik (K) 1,5 m/s²

AT Uygunluk Beyanati MAKİNE DİREKTİFİ



KS800S, KS800SL

Black & Decker, «teknik özellikleri» bölümünde açıklanan bu ürünlerin aşağıda belirtilen yönergelere uygun olduğunu beyan eder: 2006/42/EC, EN60745-1, EN60745-2-11

Bu ürünler ayrıca 2004/108/EC ve 2011/65/EU Direktifi ile uyumludur.

Daha fazla bilgi için, lütfen aşağıdaki adresten Black & Decker ile irtibata geçin veya kılavuzun arkasına bakın.

Aşağıda imzası bulunan, teknik dosyanın derlenmesinden ve Black & Decker adına bu bildirim yapmaktan sorumludur.

Kevin Hewitt
Başkan Yardımcısı,
Global Mühendislik
Black & Decker Europe,
210 Bath Road, Slough,
Berkshire, SL1 3YD, İngiltere
23-04-2012

Garanti

Black & Decker, ürünün kalitesinden emindir ve bu yüzden kanunlarda belirtilen taleplerin üstünde bir garanti verir. Ayrıca bu garanti hiçbir şekilde garanti ile ilgili kanuni haklarınızı ihlal etmez ve haklarınızı hiç bir şekilde kısıtlamaz. İşbu garanti Avrupa Birliği'ne üye ülkeler ile Avrupa Serbest Ticaret Bölgesi sınırları dahilinde geçerlidir.

Eğer bir Black & Decker ürünü, satın alma tarihinden itibaren 24 ay içinde hatalı malzeme ve işçilik nedeniyle bozulursa, müşteriye mümkün olabilecek en az sorunu yaşatarak Black & Decker hatalı kısımları değiştirmeyi, adil bir şekilde aşınmış ve yıpranmış ürünleri tamir etmeyi veya değiştirmeyi garanti eder. Ancak bu belirtilenler şu durumlar dışında geçerlidir:

- ♦ Ürün ticari veya profesyonel amaçlarla kullanılmışsa veya kiraya verilmişse;
- ♦ Ürün yanlış veya amaç dışı kullanılmışsa;
- ♦ Ürün yabancı nesnelere, maddelere veya kaza sırasında zarar görmüşse;
- ♦ Yetkili tamir servisleri veya Black & Decker servis ekibinden başkası tarafından tamir edilmeye çalışılmışsa.

TÜRKÇE

Garanti talebinde bulunmak için, satıcıya veya yetkili tamir servisine satın aldığınıza dair ispat sunmalısınız. Fatura ve garanti kartı gerekmektedir. Bu kılavuzda belirtilen listeden size en yakın yetkili tamir servisinin yerini öğrenebilirsiniz. Ya da, alternatif olarak internet'ten Black & Decker yetkili tamir servislerinin listesini ve satış sonrası hizmetlerimizle ilgili tüm bilgiler ve temas bilgilerine aşağıdaki siteden ulaşabilirsiniz.
www.2helpU.com

Sanayi ve Ticaret Bakanlığı tebliğince kullanım ömrü 10 yıldır.

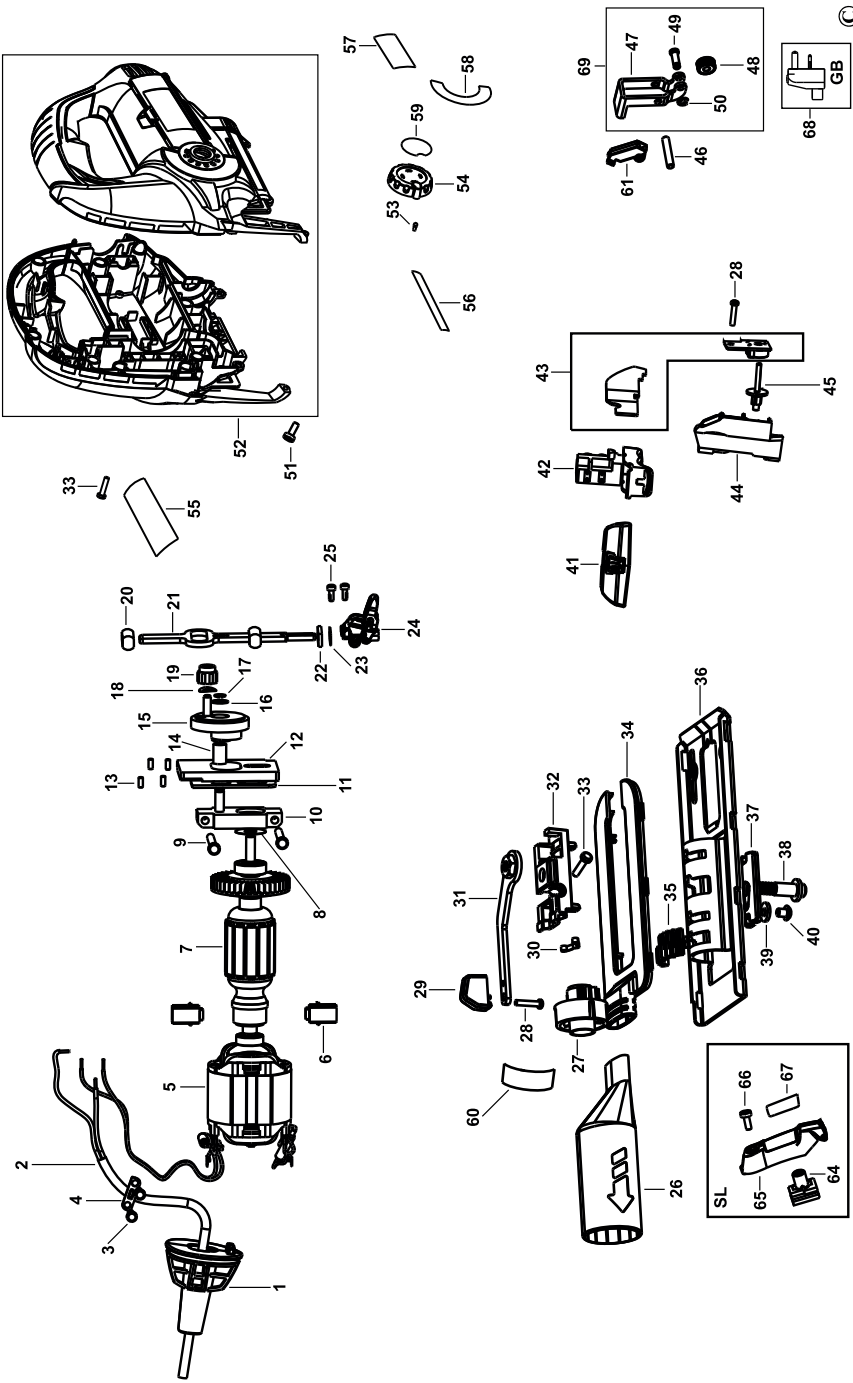
Türkiye Distribütörü

KALE HIRDAVAT VE MAKİNA A.Ş.
Defterdar Mah. Savaklar Cad. No. 15
34050 Edirnekapı Eyüp İstanbul
E-posta: info@kalemakina.com

No.	İl	Yetkili Servis	Adres	Telefon
1	Adana	Emin Elektrik	Kızılay Cad. 6.Sok. No.9/D	0322 351 80 46
2	Amasya	Teknik Bobinaj	Bayazıt Paşa Mah. Mehmet Vorinli Cad. No.20/B	0358 218 26 82
3	Ankara	Orhan Bobinaj	Yalıncı Sok. No.17 Siteler	0312 350 95 29
4	Ankara	Yiğit Bobinaj	Merkez 668.Sok. Eminel Yapı Koop. No.8 İvedik Ostim	0312 395 05 37
5	Antalya	E.B.A. Elektrik	Sanayi Sitesi 682.Sok. No.38	0242 345 36 22
6	Antalya - Alanya	Abaloğlu Bobinaj	Sanayi Sitesi Yeni Yol Girişi No.8	0242 512 02 16
7	Aydın	Taciroğlu Bobinaj	2.Sanayi Sitesi 3.Sok. No.55	0256 219 43 30
8	Aydın - Kuşadası	Özgür Bobinaj	Kuşadası Sanayi Sitesi J.Blok No.13	0256 622 13 73
9	Balıkesir	Tezger Bobinaj	Küçük Sanayi Bölgesi Dökmeciler Sok. No.15	0266 241 63 85
10	Balıkesir - Bandırma	Küre Bobinaj	Atatürk Cad. No.104 Bandırma	0266 718 46 79
11	Balıkesir - Edremit	Özkan Bobinaj	Cennet Ayağı Mah. Demirbaş Sitesi A4-B1. No.2/B	0256 374 20 29
12	Bursa	Vokart	Gazıcılar Cad. Erikli Bahçe Sok. No.6/B	0224 254 48 75
13	Çanakkale	Kısacık Bobinaj	Namık Kemal Mah. Kaynak Sok. No.41	0286 217 96 71
14	Çorum	Emek Bobinaj	Küçük Sanayi Sitesi 23.Cad. No.5/C Cami yanı	0364 234 68 84
15	Denizli	Örsler Bobinaj	Bakırlı Mah. 171.Sok. Sedef Çarşısı No.9-10	0256 261 42 74
16	Diyarbakır	Çetsan Elektrik	İnönü Cad. Ziya Gökalp Sok. No.45	0412 237 29 04
17	Düzce	Yıldız Makine	Burhaniye Mah. Gen. Kazım Sok. No.10	0380 514 70 56
18	Edirne	Efe Bobinaj	Sanayi Sitesi 22.Blok No.5	0284 225 35 73
19	Erzincan	Ümit Elektrik Makine	Sanayi Çarşısı 767.Sok. No.71	0446 224 08 01
20	Eskişehir	Meriç Bobinaj	Akçağlan Mah. Meriç Sok. No.4/A	0222 230 94 44
21	Gaziantep	Karavaşın Bobinaj	Şenyurt Cad. No.35 Şahinbey	0342 231 17 33
22	Isparta	Işık Bobinaj	Piri Mehmet Mah. 107.Cad. No.5	0246 223 20 28
23	İçel - Mersin	Şekerler Elektrik Bobinaj	Nusratiye Mah. 5005.Sok. No.20/A	0324 336 70 98
24	İçel - Mersin	Üniversal Bobinaj	Nusratiye Mah. Çiftçiler Cad. 68.Sok. No.19	0324 233 44 29
25	İstanbul	AKEL Elektrik Servis Hiz.	Yukarı Dudullu Nato Yolu Cad. No.109B Ümraniye	0216 540 53 54
26	İstanbul	Fırat Dış Ticaret	Tersane Cad. Kut Han No.38 K.3 D.307-308 Karaköy Perpa Tic. Merkezi B.Blok Mavi Avlu Kat.4 No.318	0212 252 93 43
27	İstanbul	Birlik Elektromekanik	Okmeydanı	0212 222 94 18
28	İstanbul	Kardeşler Bobinaj	Çağlayan Mah. Sinanpaşa Cad. No.5 Çağlayan	0212 224 97 54
29	İstanbul	Mert Elektrik Ltd.	İkitelli Org. Sanayi Demirciler Sitesi D2.Blok No.280 İkitelli İstasyon Cad. GİBTAŞ Sanayi Sitesi No.24 Kat 2 İçmeler	0212 549 65 78
30	İstanbul	SVS Teknik	Tuzla	0216 446 69 39
31	İstanbul	Tanık Makina Ltd.	Bağdat Cad. Adalı Sok. No.101/10 Maltepe	0216 370 21 11
32	İstanbul	Tekniker Bobinaj	Birlik Sanayi Sitesi 7.Cad. No.2 Beylikdüzü	0212 875 19 31
33	İzmir	Birlik Bobinaj	2824 Sok. No.18 Halkapınar 1.Sanayi Sitesi	0232 458 39 42
34	İzmir	Boro Cvata	1203/2.Sok. No.B2 Gıda Çarşısı Yenisehir	0232 466 80 70
35	İzmir	Doruk Hırdavat	1426.Sok. No.14 Hurdacılar Sitesi Doğanlar Bornova	0232 478 14 12
36	Kayseri	Akın Elektrik	Eski Sanayi Bölgesi 5.Cad. No.8	0352 336 41 23
37	Kocaeli - Gebze	Gülsoy Elektrik	Menzilhane Cad. 1111.Sok. No.7	0262 646 92 49
38	Kocaeli - İzmit	Efe Elektrik Bobinaj	Körfez Küçük Sanayi Sitesi 12.Blok No.13	0262 335 18 94
39	Konya	Murat Bobinaj	Karatay Sanayi Çiçekli Sok. No.83	0332 235 64 63
40	Konya	Sözenler Bobinaj	Fevzi Çakmak Mah. Komsan İş Mer. 10562 Sok. No.62	0332 342 63 18
41	Kütahya	Doğan Bobinaj	Yeni Sanayi Sitesi 19.Sok. No.28/1	0274 231 22 00
42	Malatya	Özer Bobinaj	Yeni Sanayi Sitesi 2.Cad. No.95	0242 336 39 53
43	Muğla - Bodrum	Bodrum Makine	Türkkuyusu Mah. Etem Demiröz Sok. Sanayi Sitesi 12	0252 316 28 51
44	Muğla - Marmaris	Başaran Teknik	Beldibi Cad. No.5/C	0252 412 85 11
45	Nevşehir	Çiftgüç Elektrik	Yeni Sanayi Sitesi 8.Blok No.53	0384 213 19 96
46	Sakarya - Adapazarı	Engin El. Bobinaj	Papuççular Mah. Papuççular Cad. No.40	0264 273 87 69
47	Samsun	Akış Bobinaj	Sanayi Sitesi Ulus Cad. No.31B	0362 238 07 23
48	Sivas	Bayraktar Elektrik	Yeni Çarşı No.72C	0346 221 47 55
49	Tekirdağ - Çorlu	Ümit Elektrik	Camiatık Mah. Ereğli Sok. No.1	0282 653 27 77
50	Tokat	Çetin Elektrik	Sanayi Sitesi No.22 Cami Altı	0356 214 63 07
51	Trabzon	Makina Market	Rize Cad. No.71 Değirmendere	0462 328 14 80
52	Uşak	Zengin Bobinaj	Islıca Mah. Ürem Sok. No.10/C	0276 227 27 46
53	Yalova	Kale İnşaat	Merkez Mah. Devlet Yolu Cad. No.70 Paytazdere Yalova	0226 461 22 42
54	Zonguldak - KDZ Ereğli	Tümen Bobinaj	Kışla Sanayi Sitesi D.Blok No.17	0372 323 74 97

KS800S - KS800SL

TYP.
1



BLACK & DECKER JÓTÁLLÁSI JEGY ÉS JÓTÁLLÁSI FELTÉTELEK

Gratulálunk Önnek ennek az értékes Black & Decker készülék megvásárlásához.

Azon termékeinkre, amelyet fogyasztói szerződés keretében háztartási, hobby célra vásárolnak **24 hónap jótállást** vállalunk.

A termék iparszerű használatra nem alkalmas!

A jótállás a fogyasztó jogszabályból eredő jogait nem érinti.

- 1) A Stanley Black & Decker Hungary Kft. a jótállás, kellek- és termékszavatosság keretében végzett javításokat vagy a termék kicserélését 19/2014. (IV.29.) NGM rendelet és a 151/2003. (IX.22.) Kormányrendelet szerint végzi a jótállási idő, illetve a kellek- és termékszavatossági jogok érvényesíthetőégének teljes időtartama alatt.
 - a) A fogyasztó jótállási igényét a jótállási jeggyel érvényesítheti, ezért kérjük azt őrizze meg.
 - b) Vásárláskor a forgalmazónak (kereskedőnek) a jótállási jegyben fel kell tüntetnie a fogyasztási cikk azonosítására alkalmas megnevezését, típusát, gyártási számát, továbbá – amennyiben van ilyen – azonosításra alkalmas részének meghatározását, illetve a fogyasztó részére történő átadásának időpontját. A jótállási jegyet a forgalmazó (kereskedő) nevében eljáró személynek alá kell írnia és a kereskedés azonosítására alkalmas tartalmú (minimum cégnév, üzlet címe) bélyegzővel olvashatóan le kell bélyegezni. Kérjük, kísérelje figyelemmel a jótállási jegy megfeleltetését, mivel a kijelölt szervizeknél a jótállási igény csak érvényes jótállási jeggyel érvényesíthető. Amennyiben a jótállási jegy szabálytalanul került kiállításra, jótállási igényével kérjük forduljon a termékhez az Ön részére értékesítő partnerünkhöz (kereskedőhöz). A jótállási jegy szabálytalan kiállítása vagy a fogyasztó rendelkezésére bocsátás elmaradása nem érinti a jótállási érvényességét. Kérjük, hogy a jótállási jegyben kívül a nyugtát vagy számlát is szíveskedjen megőrizni a gyorsabb és hatékonyabb ügyintézés érdekében, mert a szerződés megkötése az ellenérték megfizetését igazoló bizonylattal is bizonyítható.
 - c) Elvesztett jótállási jegyet csak a fogyasztói szerződés létrejöttét igazoló nyugta vagy számla ellenében tudunk pótolni!
- 2) **Nem terjed ki a jótállás:**
 - a) amennyiben a hiba oka rendeltetésellenes, illetve a mellékelt magyar nyelvű használati kezelési útmutatóban foglaltaktól eltérő használat, átalakítás, szakszerűtlen kezelés, helytelen tárolás, elemi kár vagy egyéb a vásárlás után a fogyasztó érdekkörében keletkezett ok miatt következik be;
 - b) amennyiben a terméket iparszerű (professzionális) célokra használták, kölcsönzési szolgáltatás nyújtásához használták fel (nem fogyasztói szerződés);
 - c) azon alkatrészekre, amelyek esetében a meghibásodás a jótállási időn belüli rendeltetészerű használat mellett az alkatrészek természetes elhasználódása, kopása miatt következett be (így különösen: fűrészlánc, fűrészlap, gyalukés, meghatószij, csapágyak, szénkefe, csillagkerék);
 - d) a készülék túlterhelése miatt jelentkező hibákra, amelyek a hajtómű meghibásodásához, vagy egyéb ebből adódó károkhoz vezetnek;
 - e) a termék nem hivatalos szervizben történt javításából eredő hibákra;
 - f) az olyan károsodásokra, amelyek nem eredeti Black & Decker kiegészítő készülékek és tartozékok használatából adódnak amennyiben a szakszerviz bizonyítja, hogy a hiba a fenti okok valamelyikére vezethető vissza.
- 3) A fogyasztó a kijavítás vagy csere iránti igényét a jótállási időn belül a kereskedőnél, illetve kijavítás iránti igényét a jótállási jegyben feltüntetett javítószolgáltatónál is érvényesítheti.

Termékszavatossági igényét kérjük a jótállási jegyben feltüntetett gyártónak vagy forgalmazónak szíveskedjen bejelenteni.

- a) Nem számít bele a jótállási időbe a kijavítási időnek az a része, amely alatt a fogyasztó a terméket nem tudja rendeltetészerűen használni.
 - b) A terméknek a kicseréléssel vagy kijavítással érintett részére a jótállási idő újból kezdődik.
 - c) Ha a fogyasztási cikk a vásárlástól (üzembe helyezéstől) számított három munkanapon belül meghibásodik, a fogyasztó ezen időtartamon belül kérheti annak kicserélését feltéve, hogy a meghibásodás a rendeltetészerű használatot akadályozza. A hiba fennállásának, vagy a rendeltetészerű használatot akadályozó mérték megállapításához a kereskedő kérheti a szakszerviz közreműködését.
 - d) Amennyiben a jótállási igény bejelentését követően a kereskedő az igény teljesíthetőségéről azonnal nem tud nyilatkozni, úgy öt munkanapon belül kell értesítenie a fogyasztót az álláspontjáról.
 - e) Ha a kijavítás vagy a csere nem lehetséges, a fogyasztó választása szerint műszakilag és értékében hasonló készülék kerül felajánlásra, vagy a vételár arányos leszállítására kerül sor, avagy visszafizetésre kerül a vételár.
 - f) A termék hibája miatt a fogyasztó a forgalmazótól is követelheti a hiba kijavítását vagy a termék kicserélését a forgalomba hozattalól számított két év elteltéig (termékszavatosság).
- 4) A jótállás alapján történő javítás során a forgalmazónak, illetve a javítószolgáltatónak (kereskedőnek) törekednie kell arra, hogy a kijavítást legfeljebb 15 napon belül megfelelő minőségben elvégezze, elvégeztesse.

A jótállás keretében tartozó kijavítás vagy csere esetén a forgalmazó, illetve a javítószolgáltatás a jótállási jegyben köteles feltüntetni:

- a kijavítás iránti igény bejelentésének és a kijavításra történő átvétel időpontját,
- a hiba okát és a kijavítás módját;
- a termékfogyasztó részére történő visszaadásának időpontját,
- a kicserélés tényét és időpontját.

A termék meghibásodása esetén a fogyasztót az alábbi jogok illetik meg:

Előszörban - választása szerint - kijavítást vagy kicserélést követelhet. A csereigény akkor megalapozott, ha a termék a fogyasztónak okozott jelentős kényelmetlenség nélkül, megfelelő minőségben és ésszerű határidőn belül, értékcsökkenés nélkül nem javítható ki, vagy nem kerül kijavításra.

Ha az előírt módon történő kijavításra, illetve kicserélésre vonatkozó kötelezettségének a forgalmazó nem tud eleget tenni, a fogyasztó – választása szerint – a vételár arányos leszállítását igényelheti, a hibát a forgalmazó költségére maga kijavíthatja, vagy elállhat a szerződéstől (a hibás áru visszaszolgáltatásával egyidejűleg kérheti a nyugtán vagy számlán feltüntetett bruttó vételár visszatérítését). Jelentéktelen hiba miatt elállásnak nincs helye!

Kérjük, hogy a hiba felfedezését követő legrövidebb időn belül szíveskedjen azt a szervizben vagy a forgalmazónál bejelenteni. A kijavítást vagy kicserélést - a dolog tulajdonságaira és a fogyasztó által elvárható rendeltetésére figyelemmel - megfelelő határidőn belül, a fogyasztó érdekeit kímélve kell elvégezni.

Gyártó: Forgalmozó:
Black & Decker Europe, Stanley Black & Decker Hungary Kft
210 Bath Road, Slough, 1016. Budapest,
Berkshire, SL13YD, Mészáros u. 58/B
Egyesült Királyság

Fogyasztói jogvita esetén a fogyasztó a megyei (fővárosi) kereskedelmi és iparkamarák mellett működő békéltető testület eljárását is kezdeményezheti!

Kereskedő által a vásárlással egyidejűleg kitöltendő

Kereskedő neve és címe:
.....

A fogyasztási cikk megnevezése:.....

Típusa:

Gyártási száma:

Szerződéskötés és a termék fogyasztó részére történő átadásának dátuma: P.H.
aláírás

Kereskedő által kitöltendő kicserélés esetén

A fogyasztó a hibás terméket valamennyi tartozékával átadta.

A kicserélés időpontja: P.H.
aláírás

A hibátlan terméket átvettem.

A kicserélt új termék átvételének időpontja:
.....

fogyasztó aláírása

Kijavítás esetén a szerviz tölti ki:

1. javítás

A javítás iránti igény bejelentésének és a kijavításra átvétel időpontja:
.....

A bejelentett hiba oka és a kijavítás módja:
.....

A fogyasztó részére történő visszaadás időpontja:
.....

Amennyiben a termék nem javítható, a csereigény alapos:
igen / nem (aláhúzással jelölendő) P.H.
aláírás

3. javítás

A javítás iránti igény bejelentésének és a kijavításra átvétel időpontja:
.....

A bejelentett hiba oka és a kijavítás módja:
.....

A fogyasztó részére történő visszaadás időpontja:
.....

Amennyiben a termék nem javítható, a csereigény alapos:
igen / nem (aláhúzással jelölendő) P.H.
aláírás

2. javítás

A javítás iránti igény bejelentésének és a kijavításra átvétel időpontja:
.....

A bejelentett hiba oka és a kijavítás módja:
.....

A fogyasztó részére történő visszaadás időpontja:
.....

Amennyiben a termék nem javítható, a csereigény alapos:
igen / nem (aláhúzással jelölendő) P.H.
aláírás

4. javítás

A javítás iránti igény bejelentésének és a kijavításra átvétel időpontja:
.....

A bejelentett hiba oka és a kijavítás módja:
.....

A fogyasztó részére történő visszaadás időpontja:
.....

Amennyiben a termék nem javítható, a csereigény alapos:
igen / nem (aláhúzással jelölendő) P.H.
aláírás

Stanley Black & Decker Hungary Kft

Iroda

1016 Bp. Mészáros u 58/b.

Tel.

214-05-61

Fax.

214-69-35

Központi Márkaszerviz

Elérhetőség

ROTEL Kft. Márkaszerviz 1163 Bp. (Sashalom) Thököly út 17.

Tel/fax

403-22-60, 404-00-14,
403-65-33

service@rotelkft.hu

www.rotelkft.hu

Garancián túli javító ill. garanciális átvevőhelyek

Város	Szervizállomás	Cím	Telefon
Cegléd	Megatool Kft.	2700, Széchenyi út 4.	53/311-284
Debrecen	Spirál-szerviz kft	4025, Nyugati út 5-7.	52443-000
Hajdúböszörmény	Vill-For Szerviz Bt	4220, Balthazár u. 26.	52/561-135
Kaposvár	Kaposvári Kíségjavító és Ért. BT	7400, Fő u.30.	82/318-574
Nagykanizsa	Vektor2000BT	8800, Király u 34.	93/310-937
Nyíregyháza	Charon Trade Kft	4400, Kállói út 85/b	42/460-154
Nyíregyháza	Tóth Kíségpszerviz	4400, Vasgyár u.2/f	42/504-082
Pécs	Elektrió Kft.	7623, Szabadság u.28.	72/555-657
Szeged	Csavarker Plus Kft	6721, Brüsszeli krt.16.	62/542-870
Székesfehérvár	Kíség Center Bt.	8000, Széna tér 3.	22/340-026
Szolnok	Valido BT	5000 Dr Elek István u 5	20/4055711
Szombathely	Rotor Kft.	9700, Vasút u.29.	94/317-579
Tápiószecső	ÁCS.I Ker és Szolg Kft	2251, Pesti út 31-es főút	29/446-615

CZ ZÁRUČNÍ LIST

PL KARTA GWARANCYJNA

H JÓTÁLLÁSI JEGY

SK ZÁRUČNÝ LIST



CZ měsíců
H hónap

24

PL miesiące
SK mesiacov

CZ	Výrobní kód	Datum prodeje	Razítko prodejny Podpis
H	Gyári szám	A vásárlás napja	Pecsét helye Aláírás
PL	Numer seryjny	Data sprzedaży	Stempel Podpis
SK	Číslo série	Dátum predaja	Pečiatka predajne Podpis

(CZ)

Adresy servisu
Band Servis
Klásterského 2
CZ-140 00 Praha 4
Tel.: 00420 244 403 247
Fax: 00420 241 770 167

Band Servis
K Pasekám 4440
CZ-76001 Zlín
Tel.: 00420 577 008 550,1
Fax: 00420 577 008 559
<http://www.bandservis.cz>

(H)

Black & Decker Központi
Garanciális-és Márkaszerviz
1163 Budapest
(Sashalom) Thököly út 17.
Tel.: 403-2260
Fax: 404-0014
www.rotelkft.hu

(PL)

Adres serwisu centralnego
ERPATECH
ul. Bakaliowa 26
05-080 Mościska
Tel.: 022-8620808
Fax: 022-8620809

(SK)

Adresa servisu
Band Servis
Paulínska ul. 22
SK-91701 Trnava
Tel.: 00421 335 511 063
Fax: 00421 335 512 624

(CZ)	Dokumentace záruční opravy			(PL)	Przebieg napraw gwarancyjnych	
(H)	A garanciális javítás dokumentálása			(SK)	Záznamy o záručných opravách	
CZ	Číslo	Datum příjmu	Datum zakázky	Číslo zakázky	Závada	Razítko Podpis
H	Sorszám	Bejelentés időpontja	Javítási időpont	Javítási munkalapszám	Hiba jelleg oka	Pecsét Aláírás
	Jótállás új határideje					
PL	Nr.	Data zgłoszenia	Data naprawy	Nr. zlecenia	Przebieg naprawy	Stempel Podpis
SK	Číslo dodávky	Dátum nahlásenia	Dátum opravy	Číslo objednávky	Popis poruchy	Pečiatka Podpis

